



US00D793989S

(12) **United States Design Patent**
Gallagher

(10) **Patent No.:** **US D793,989 S**

(45) **Date of Patent:** **** Aug. 8, 2017**

(54) **PERSONAL MONITOR**

(71) Applicant: **Snuza Trust**, Cape Town (ZA)

(72) Inventor: **Gregory John Gallagher**, Cape Town (ZA)

(73) Assignee: **SNUZA TRUST**, Cape Town (ZA)

(**) Term: **15 Years**

(21) Appl. No.: **29/552,918**

(22) Filed: **Jan. 27, 2016**

(51) **LOC (10) Cl.** **14-03**

(52) **U.S. Cl.**
USPC **D14/159**

(58) **Field of Classification Search**

USPC D14/167, 154, 168, 188, 496, 156, 160,
D14/161, 162, 163, 164, 165, 158, 253,
D14/192, 159, 155, 138 AB, 137, 104.1;
455/351, 350, 353; D10/104, 106, 65,
D10/78; 340/573.4, 573.1
CPC . G06F 3/16; G08B 3/00; H04M 11/00; H04N
7/14; H04N 7/26
See application file for complete search history.

(56) **References Cited**

U.S. PATENT DOCUMENTS

D666,575 S *	9/2012	Marsh	D14/159
D681,601 S *	5/2013	Gebski	D14/159
D692,847 S *	11/2013	Barley	D14/159
D705,189 S *	5/2014	Chovin	D14/159
D716,753 S *	11/2014	Deng	D14/159
D727,277 S *	4/2015	Fujioka	D14/159
D727,769 S *	4/2015	Scalisi	D10/118.2
D727,867 S *	4/2015	Chao	D14/130
D735,690 S *	8/2015	Sharp	D14/159
D740,781 S *	10/2015	Thomas	D14/159
D740,782 S *	10/2015	Thomas	D14/159
D743,929 S *	11/2015	Suntharalingam	D14/159
D763,220 S *	8/2016	Deng	D14/159
D763,817 S *	8/2016	Deng	D14/159

FOREIGN PATENT DOCUMENTS

GB 2300925 A 11/1996
JP 2000-253911 A 9/2000
WO WO-2004/021825 A1 3/2004

(Continued)

OTHER PUBLICATIONS

Written Opinion issued Dec. 14, 2015 in PCT/IB2015/056493.

Primary Examiner — Austin Murphy

(74) *Attorney, Agent, or Firm* — Polsinelli PC

(57) **CLAIM**

The ornamental design for a personal monitor, as shown and described.

DESCRIPTION

FIG. 1 is a front perspective view of the personal monitor showing our new design, with a clip of the personal monitor closed;

FIG. 2 is a rear perspective view thereof;

FIG. 3 is a top view thereof;

FIG. 4 is a bottom view thereof;

FIG. 5 is a left side view thereof, being a mirror image of the right side thereof;

FIG. 6 is a rear view thereof;

FIG. 7 is a front view thereof;

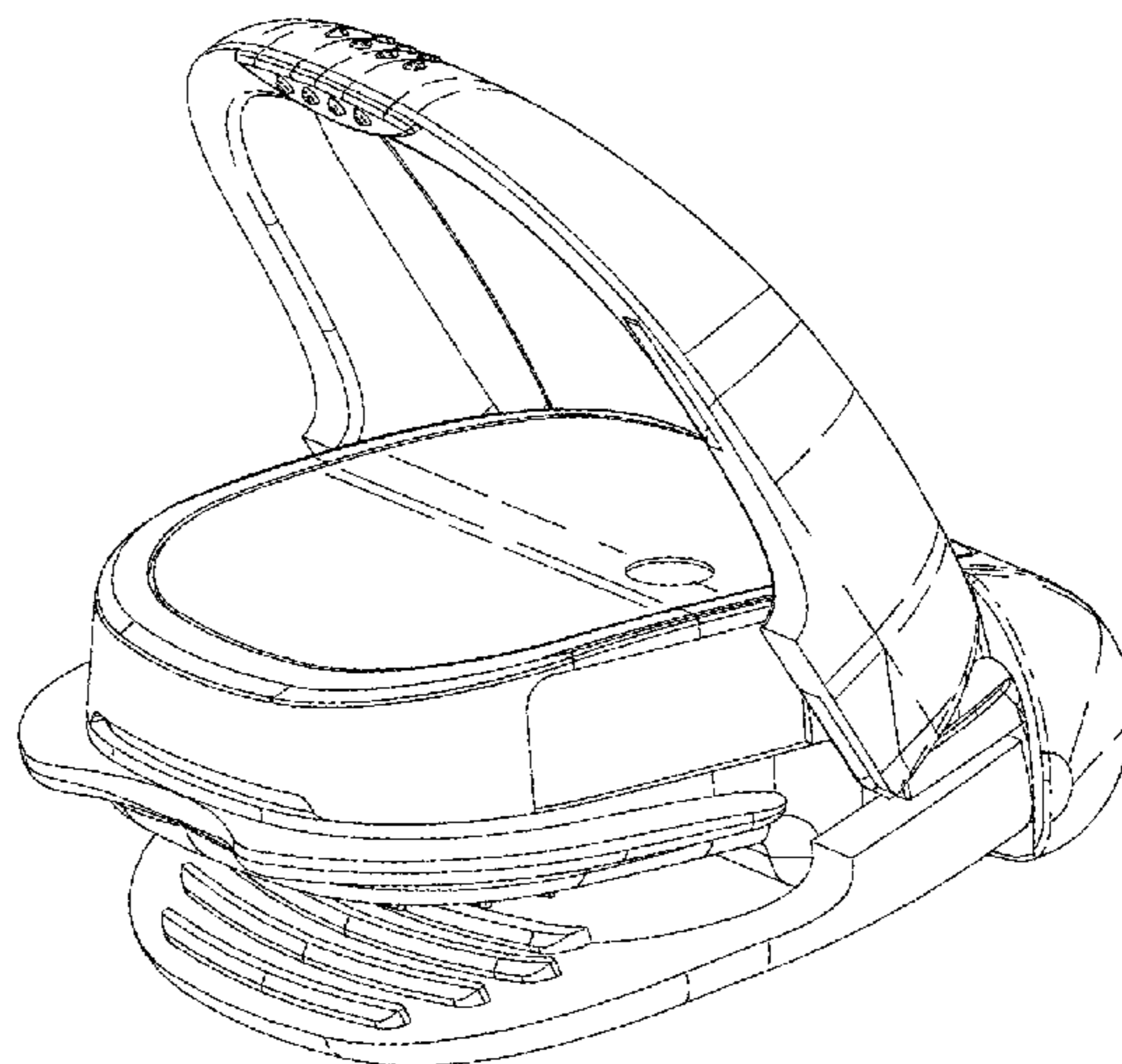
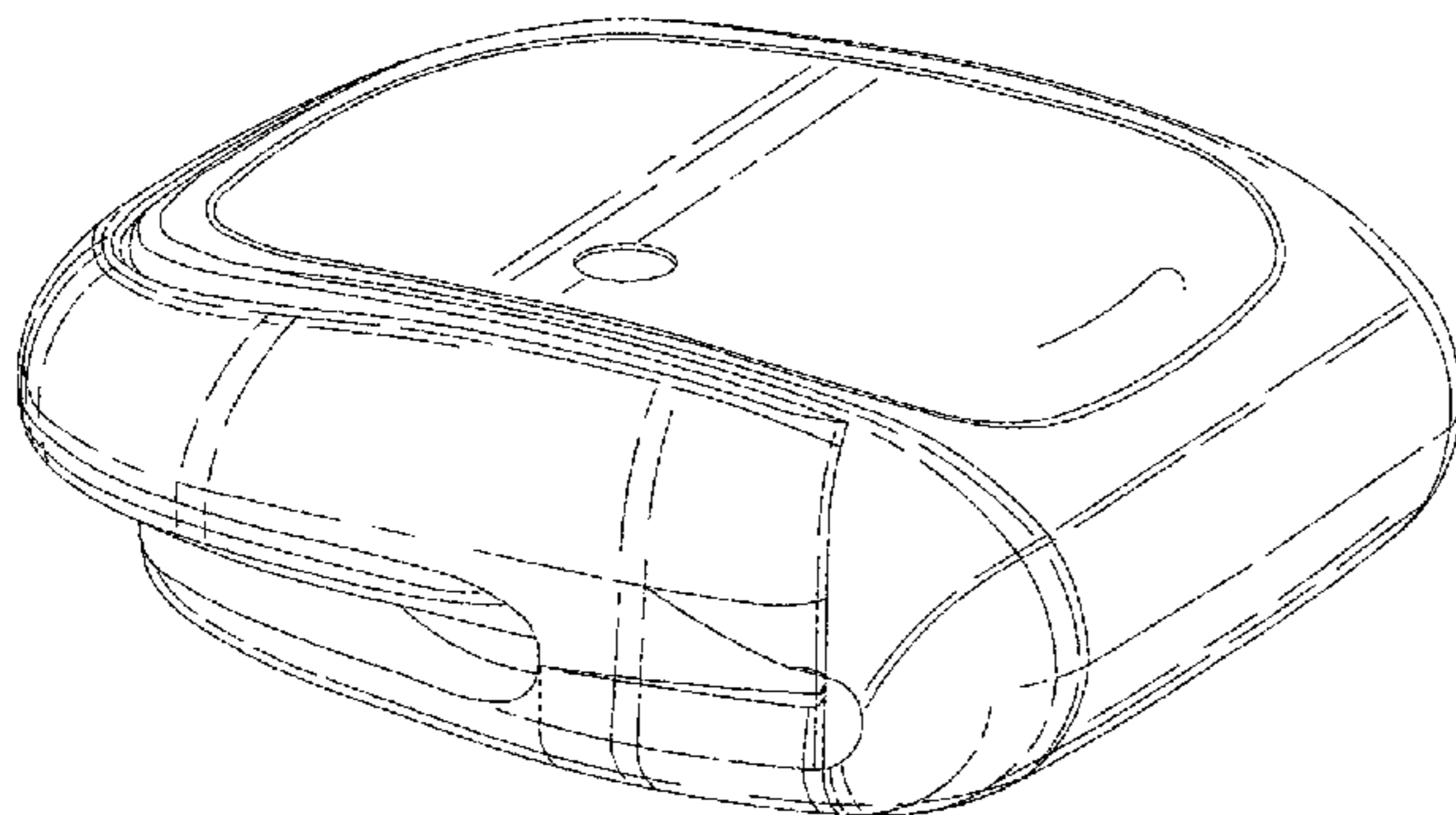
FIG. 8 is a front perspective view of the personal monitor showing our new design, with the clip of the personal monitor open;

FIG. 9 is a rear perspective view thereof; and,

FIG. 10 is a left side view thereof, being a mirror image of the right side thereof.

The personal monitor as shown has a C-shaped lever and a C-shaped jaw, which pivot simultaneously in opposite directions.

1 Claim, 5 Drawing Sheets



(56)

References Cited

FOREIGN PATENT DOCUMENTS

WO	WO-2005/011491	A1	2/2005
WO	WO-2008/096328	A2	8/2008
WO	WO-2016/038494	A1	3/2016

* cited by examiner

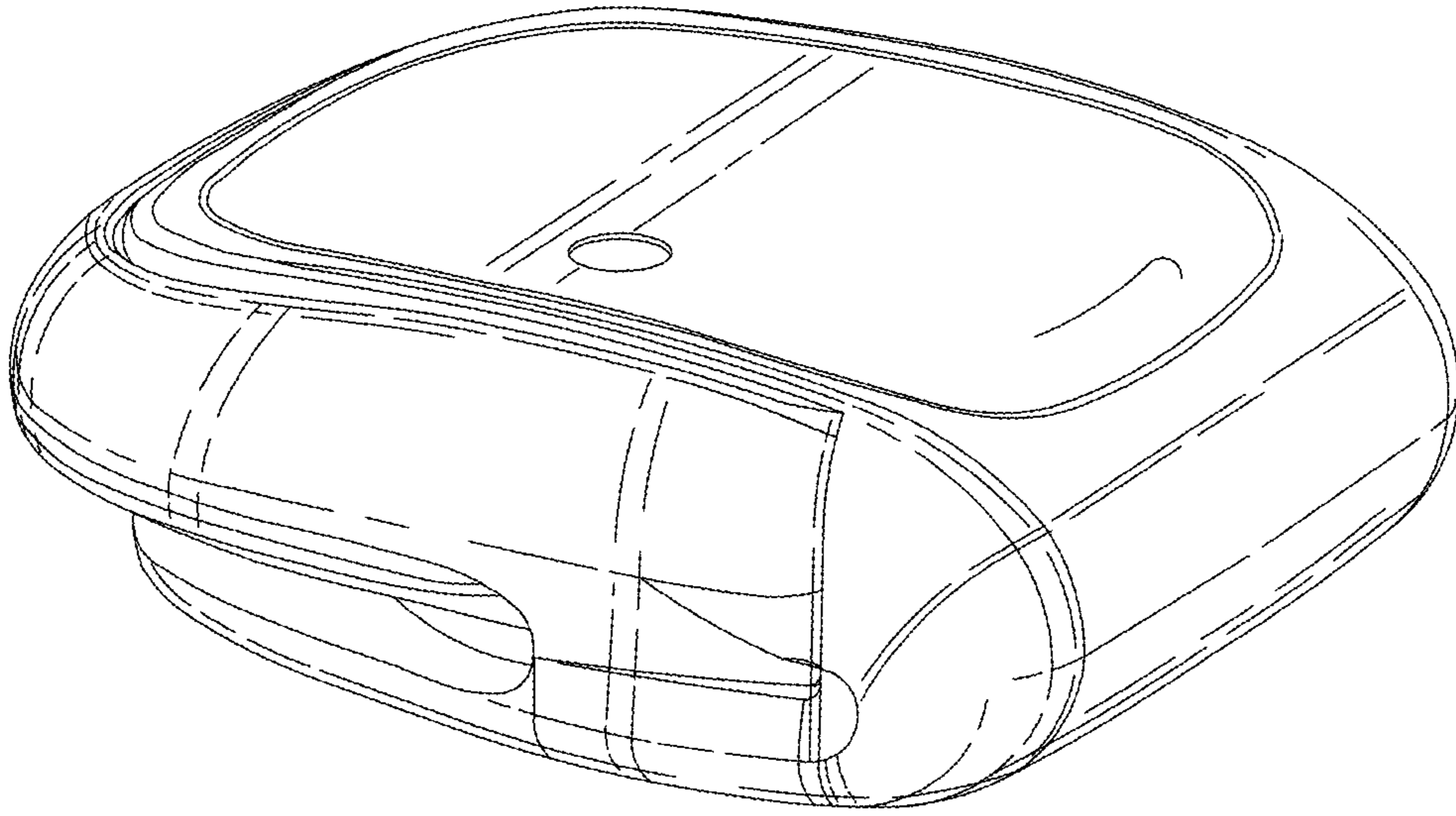


FIG. 1

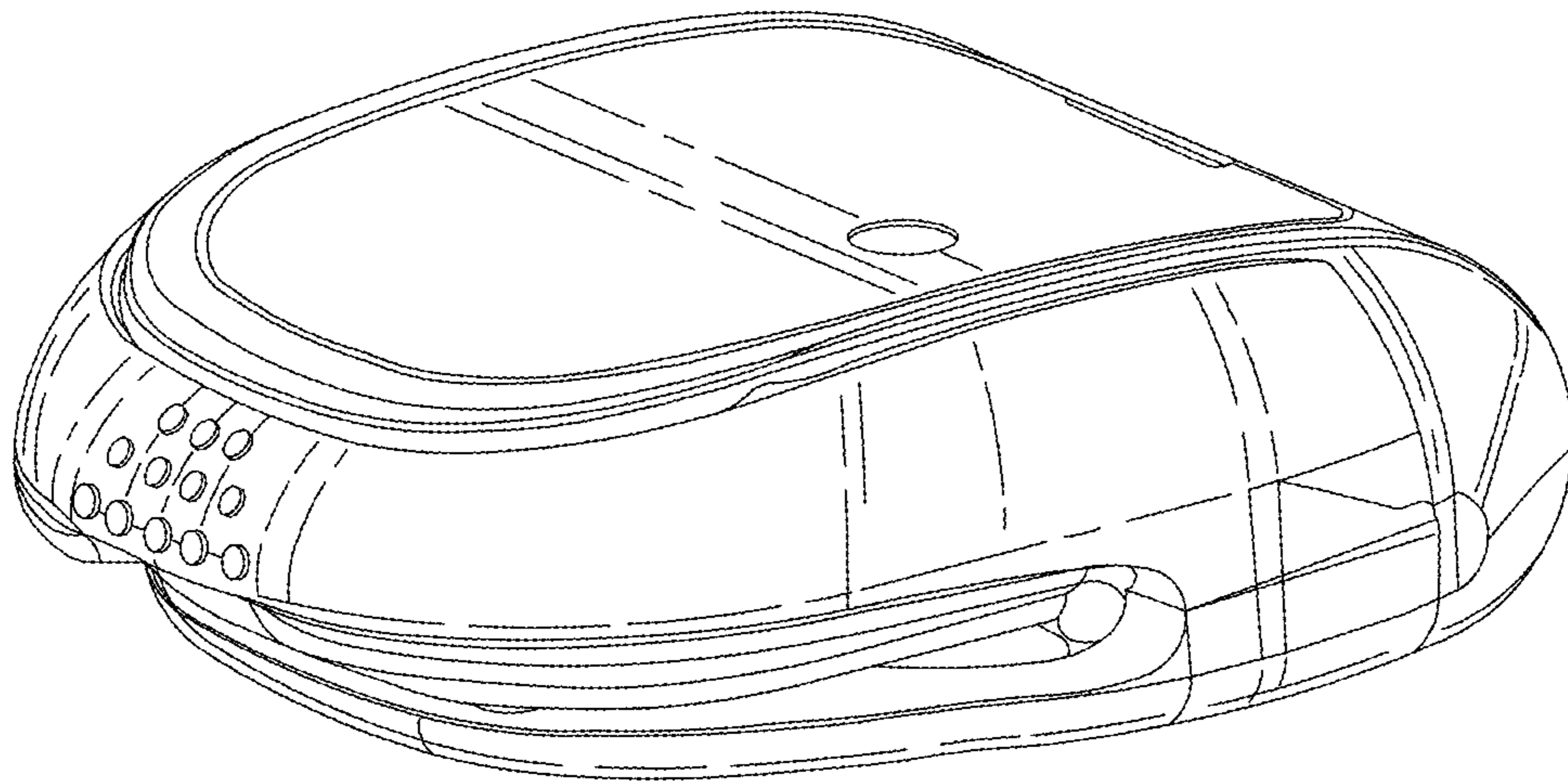


FIG. 2

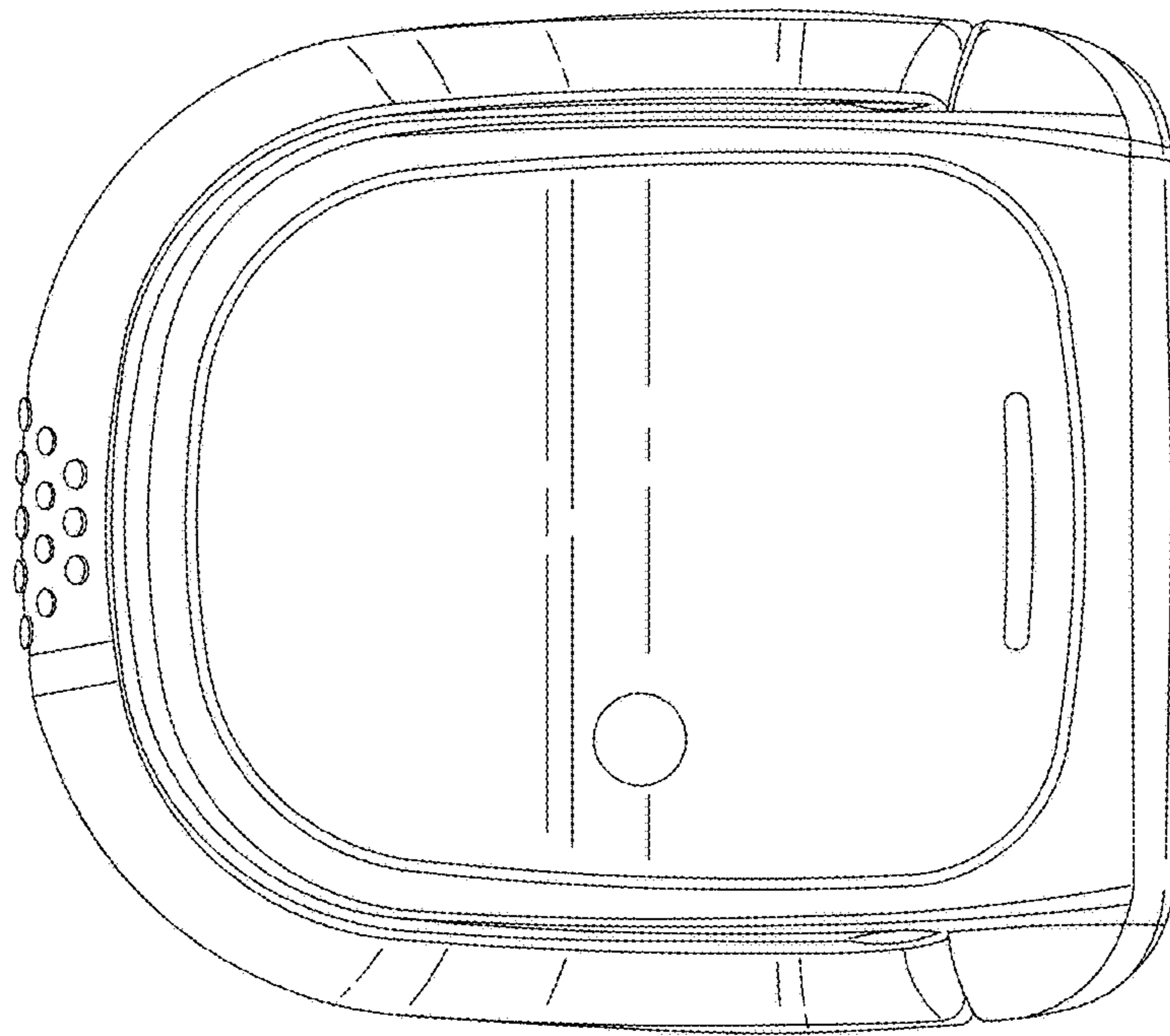


FIG. 3

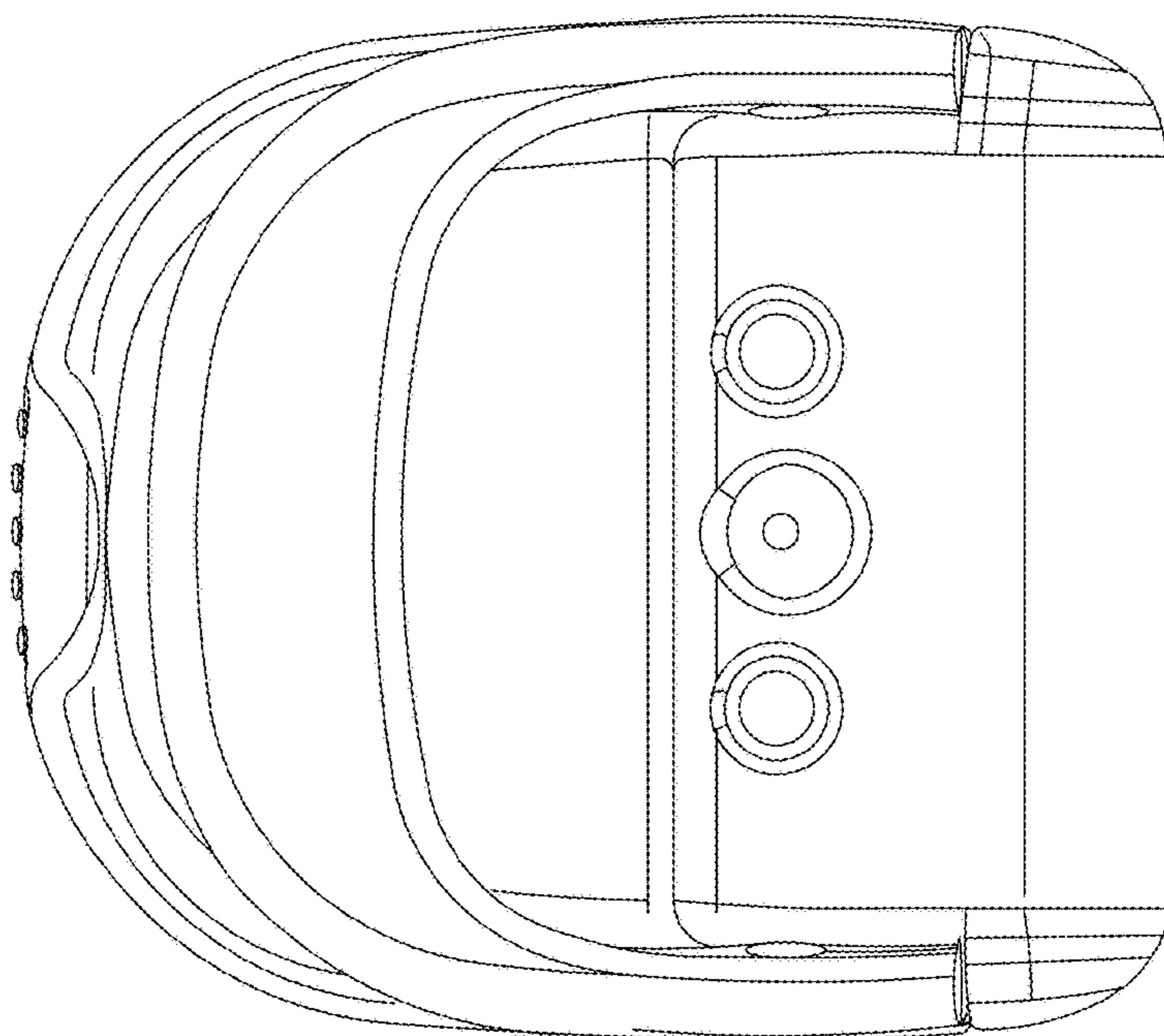


FIG. 4

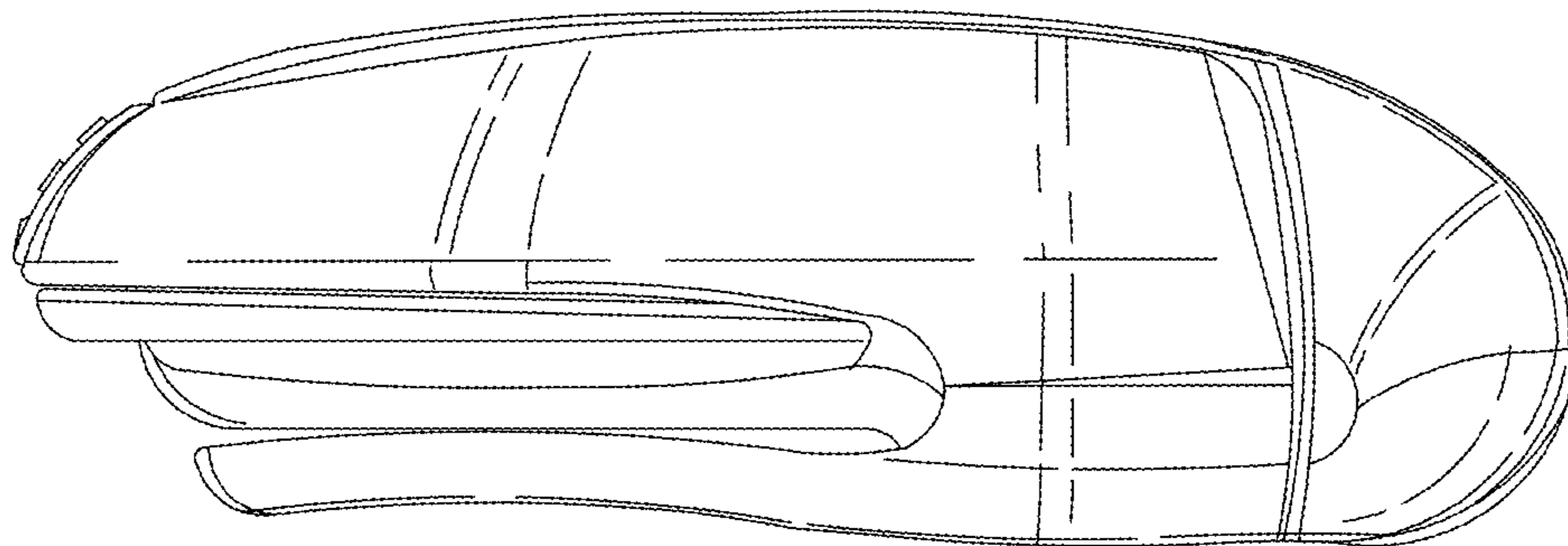


FIG. 5

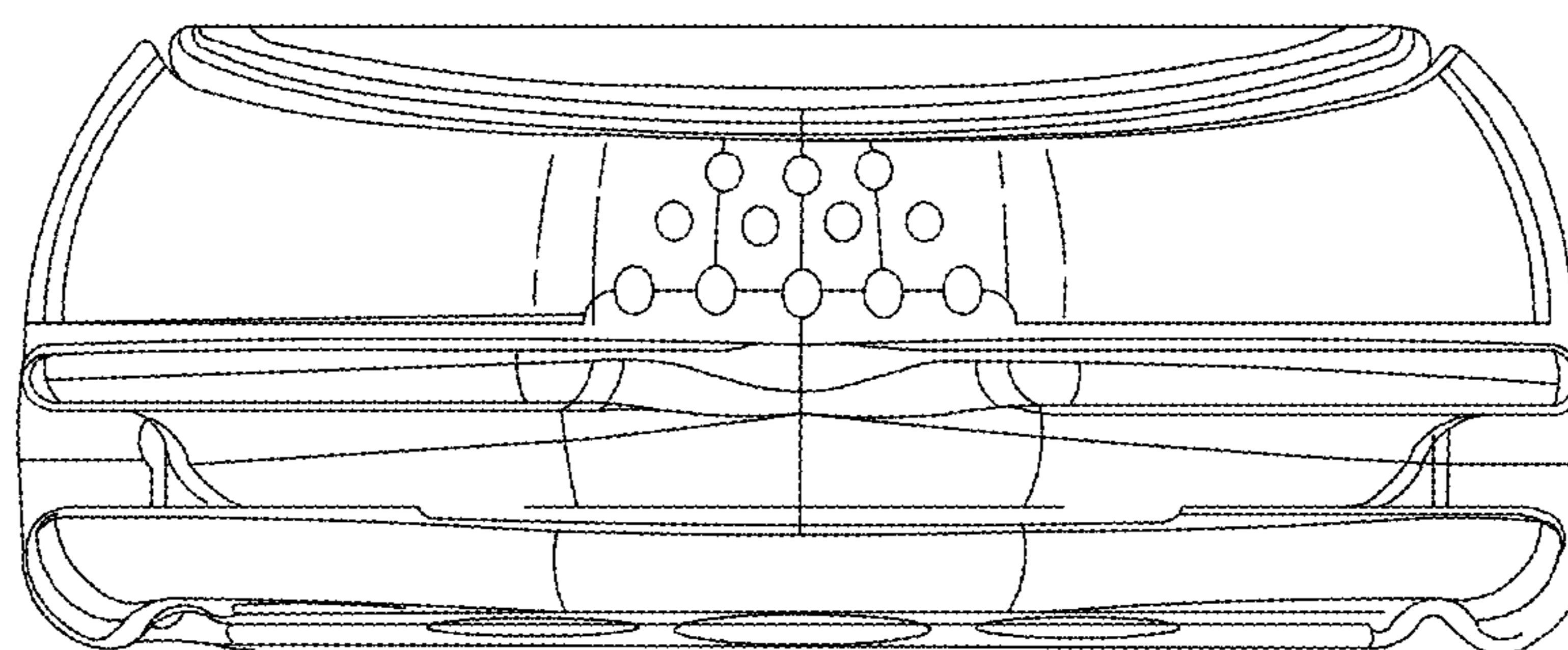


FIG. 6

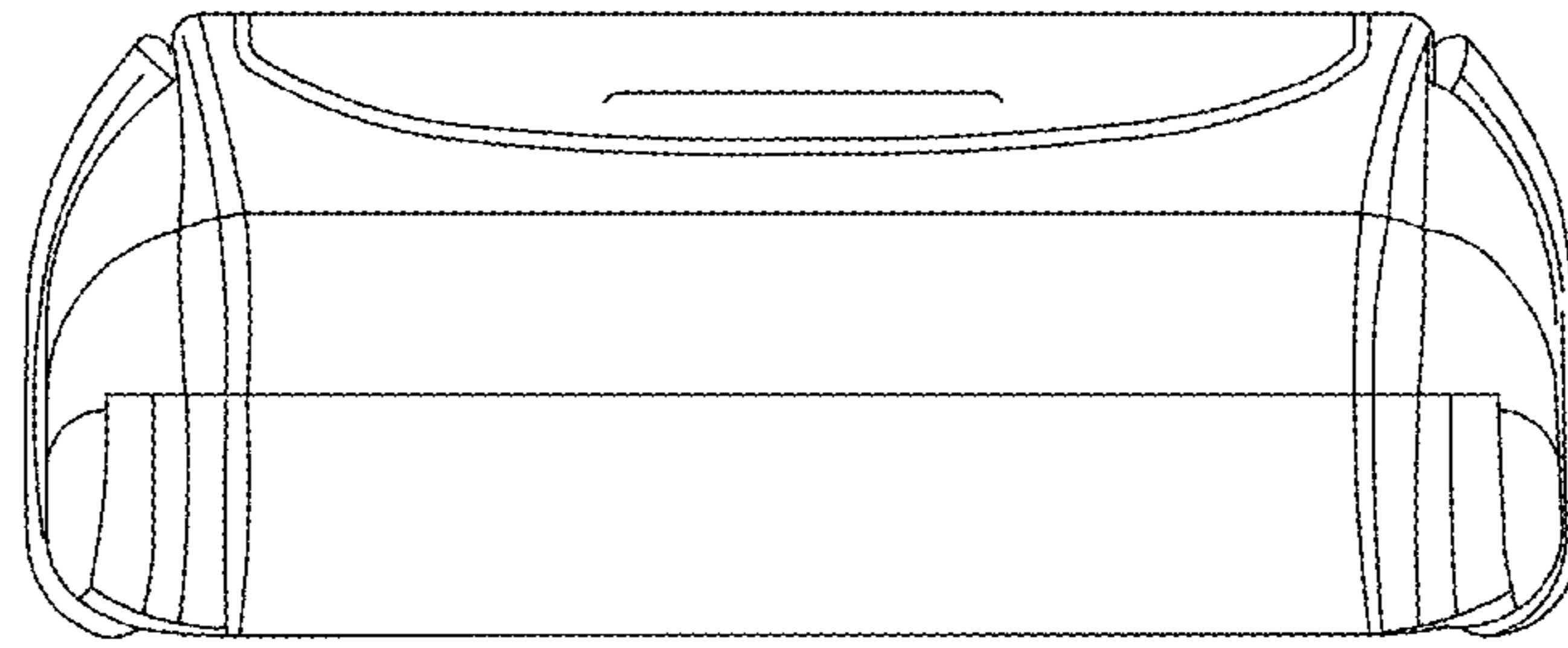


FIG. 7

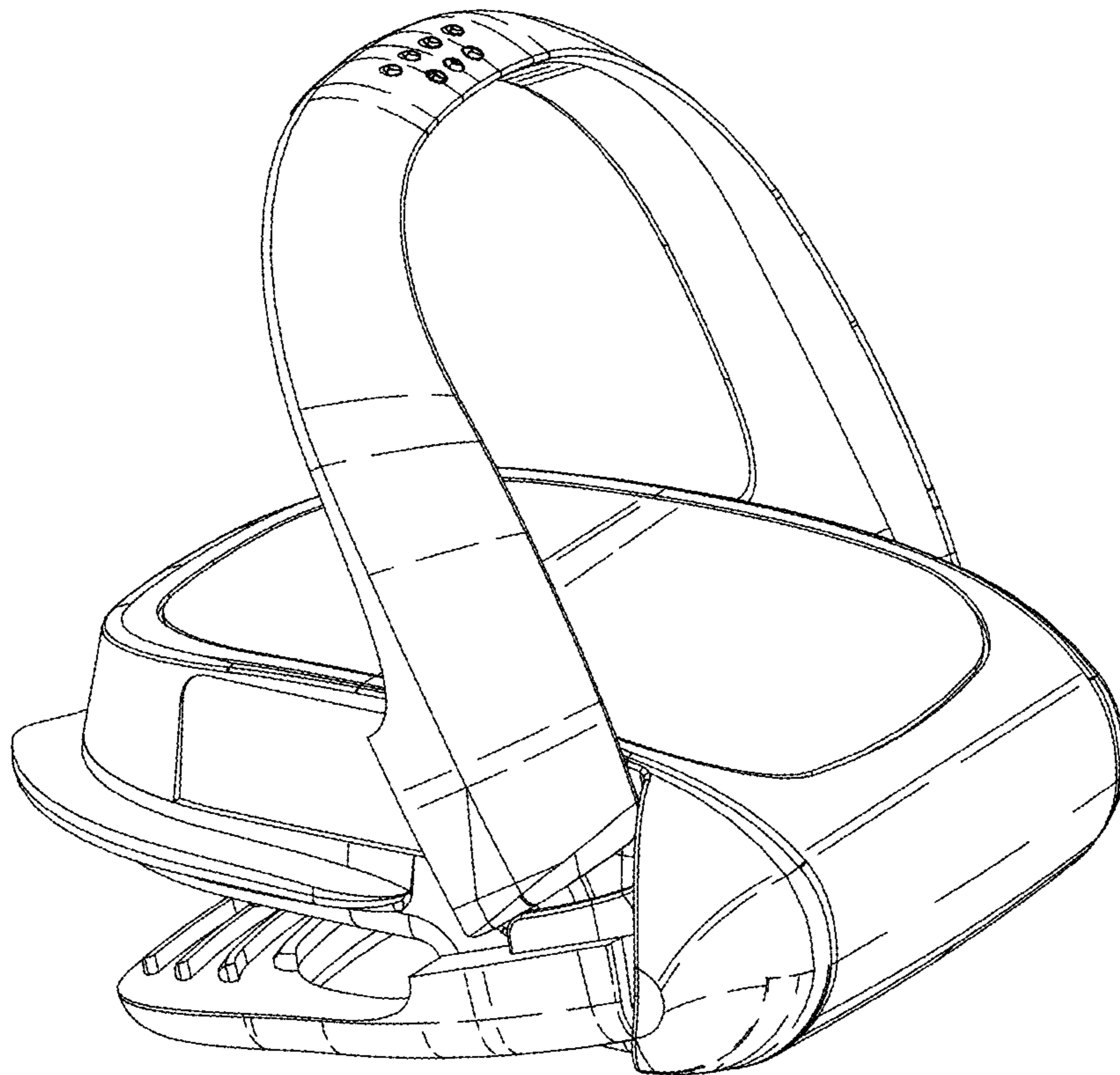


FIG. 8

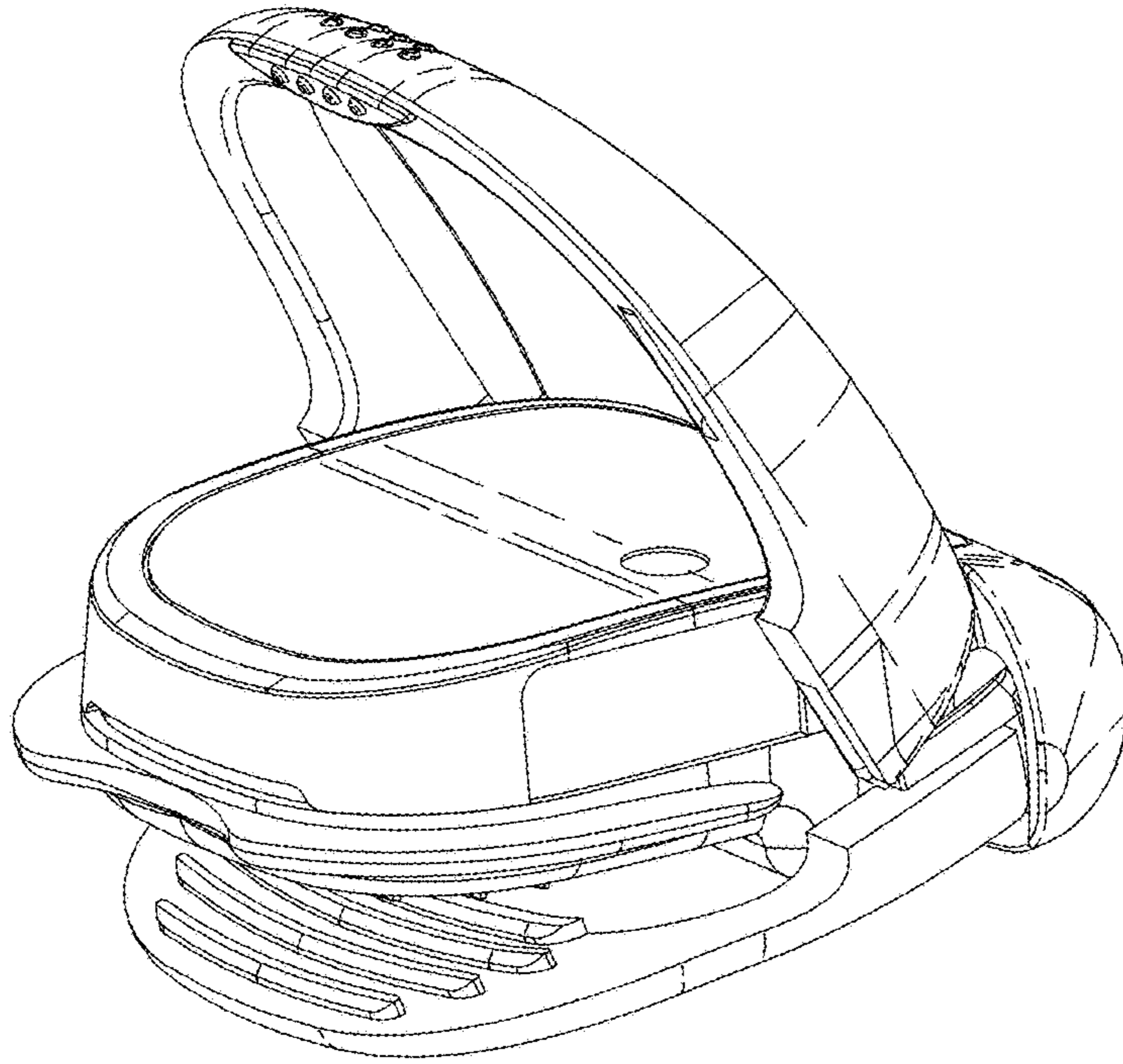


FIG. 9

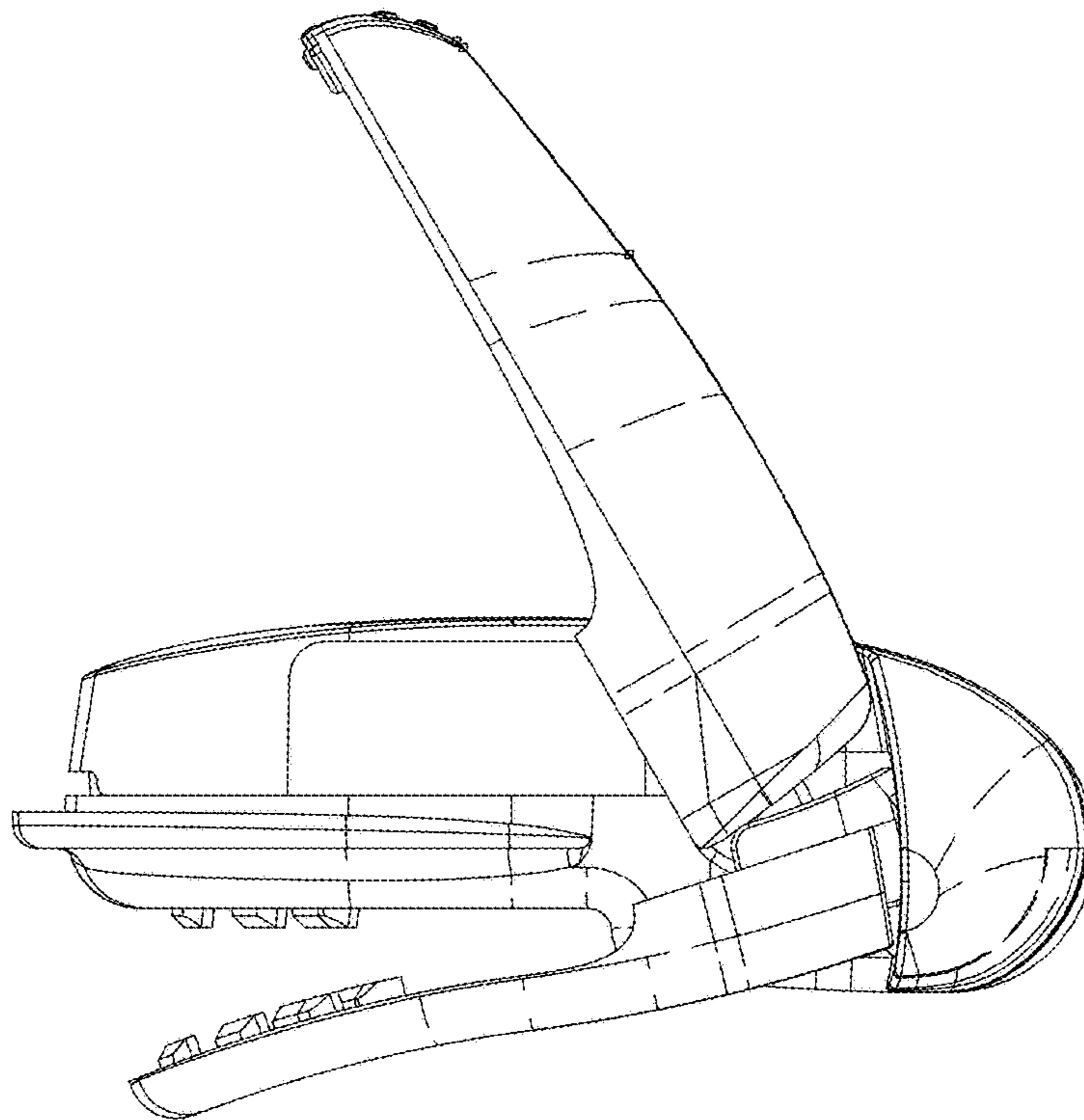


FIG. 10