



US00D793987S

(12) **United States Design Patent**
Hoehn

(10) **Patent No.:** **US D793,987 S**

(45) **Date of Patent:** **** Aug. 8, 2017**

(54) **TELEPHONE HANDSET**

(71) Applicant: **Gibson Innovations Belgium NV**,
Leuven (BE)

(72) Inventor: **Holger Hoehn**, Hong Kong (CN)

(73) Assignee: **Gibson Innovations Belgium NV**,
Leuven (BE)

(**) Term: **15 Years**

(21) Appl. No.: **29/561,403**

(22) Filed: **Apr. 15, 2016**

Related U.S. Application Data

(62) Division of application No. 29/504,261, filed on Oct. 3, 2014, now Pat. No. Des. 757,676.

(51) **LOC (10) Cl.** **14-03**

(52) **U.S. Cl.**
USPC **D14/148**

(58) **Field of Classification Search**
USPC D14/140, 142, 147-150; 379/419, 436,
379/440, 447
CPC H04M 1/02; H04M 1/0202; H04M 1/03;
H04M 1/17
See application file for complete search history.

(56) **References Cited**

U.S. PATENT DOCUMENTS

D271,871 S * 12/1983 Shimizu D14/148
D299,340 S * 1/1989 Tani D14/150

D344,272 S * 2/1994 Desbarats D14/248
D352,028 S * 11/1994 Siddoway D14/138 AA
D354,061 S * 1/1995 Desbarats D14/248
D403,678 S * 1/1999 Hawley D14/148
D437,589 S * 2/2001 Zeitman D14/148
D460,066 S * 7/2002 Hillenmayer D14/248
D491,922 S * 6/2004 Poulet D14/218
D650,767 S * 12/2011 Lu D14/148
D656,502 S * 3/2012 Cacioppo D14/453
D757,676 S * 5/2016 Hoehn D14/148

* cited by examiner

Primary Examiner — Susan Bennett Hattan

Assistant Examiner — Leanne Was-Englehart

(74) *Attorney, Agent, or Firm* — Bates & Bates, LLC

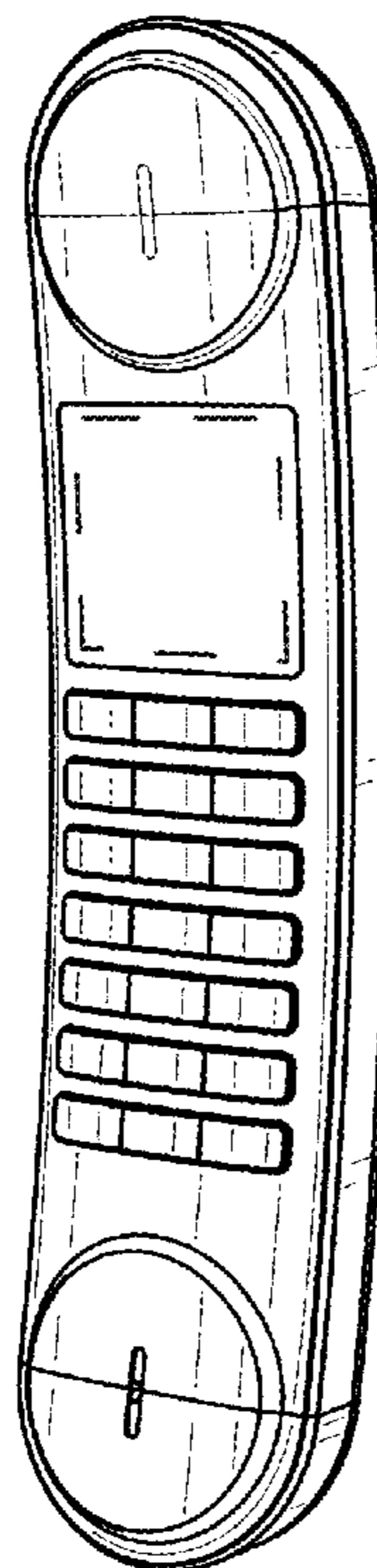
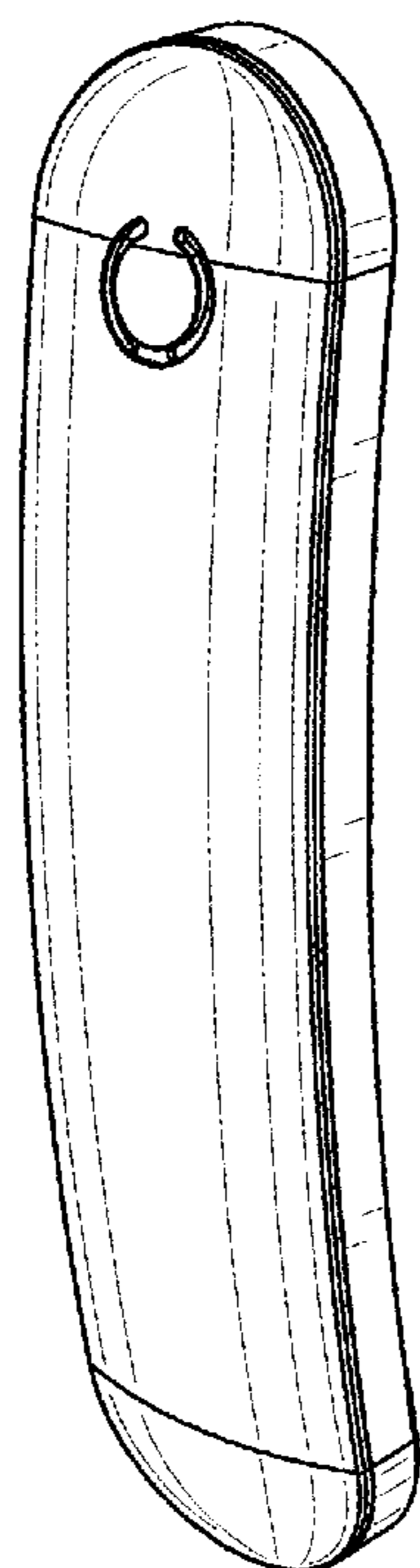
(57) **CLAIM**

The ornamental design for a telephone handset, as shown and described.

DESCRIPTION

FIG. 1 is a perspective view of a telephone handset; FIG. 2 is an alternative perspective view of the telephone handset; FIG. 3 is a left side plan view of the telephone handset; FIG. 4 is a right side plan view of the telephone handset; FIG. 5 is a top plan view of the telephone handset; FIG. 6 is a front plan view of the telephone handset; FIG. 7 is a bottom plan view of the telephone handset; and, FIG. 8 is a back plan view of the telephone handset. The features shown in broken lines form no part of the claimed design.

1 Claim, 4 Drawing Sheets



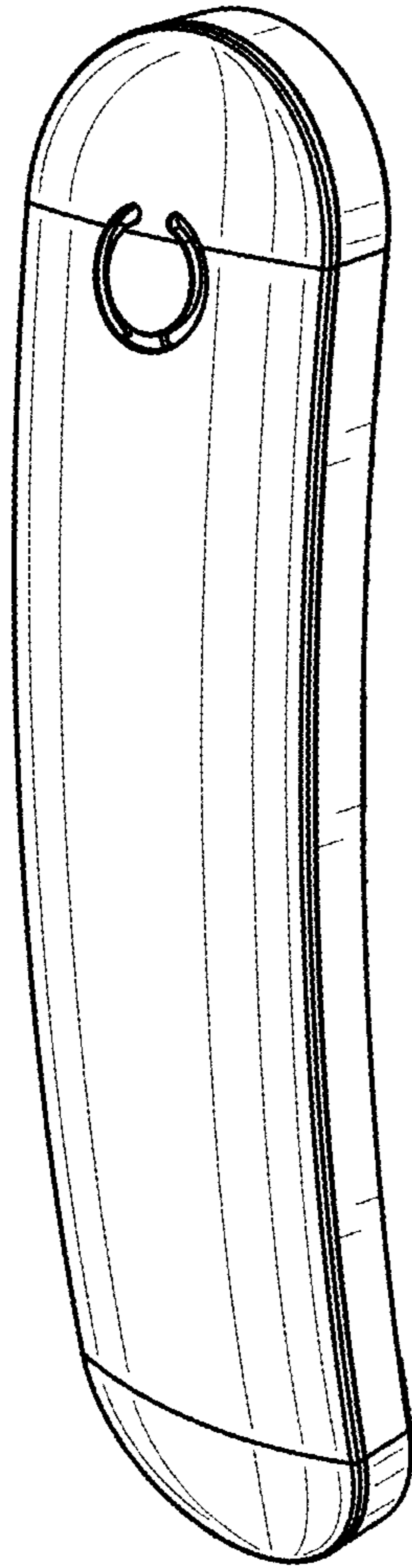


FIG. 1

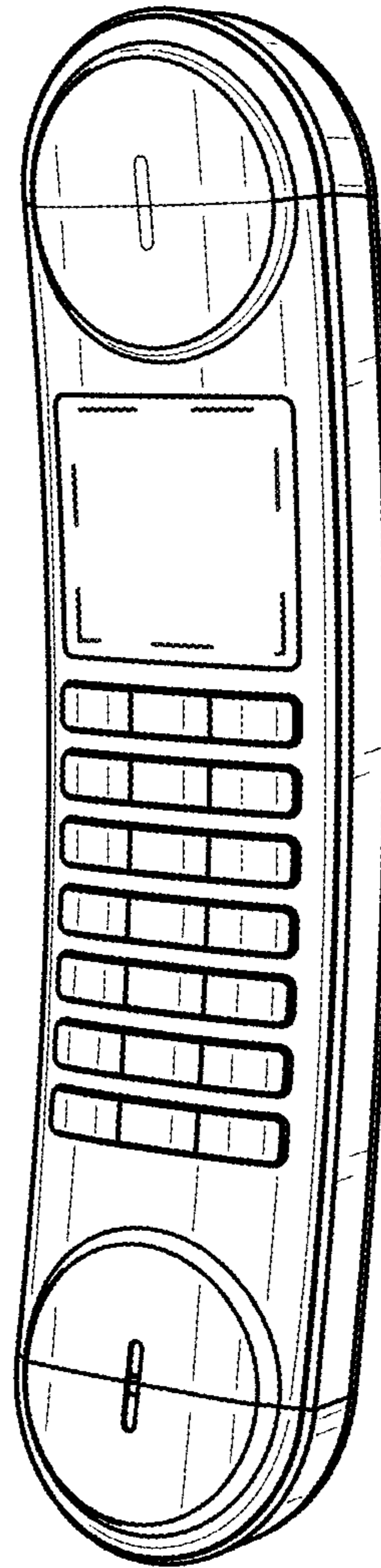


FIG. 2

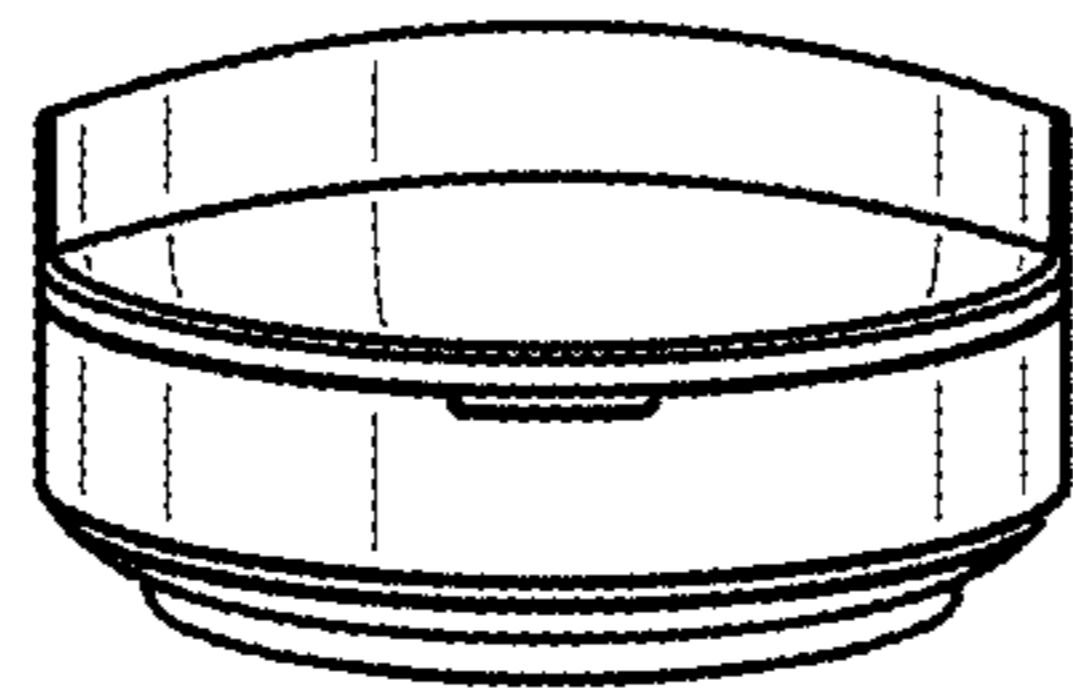


FIG. 3

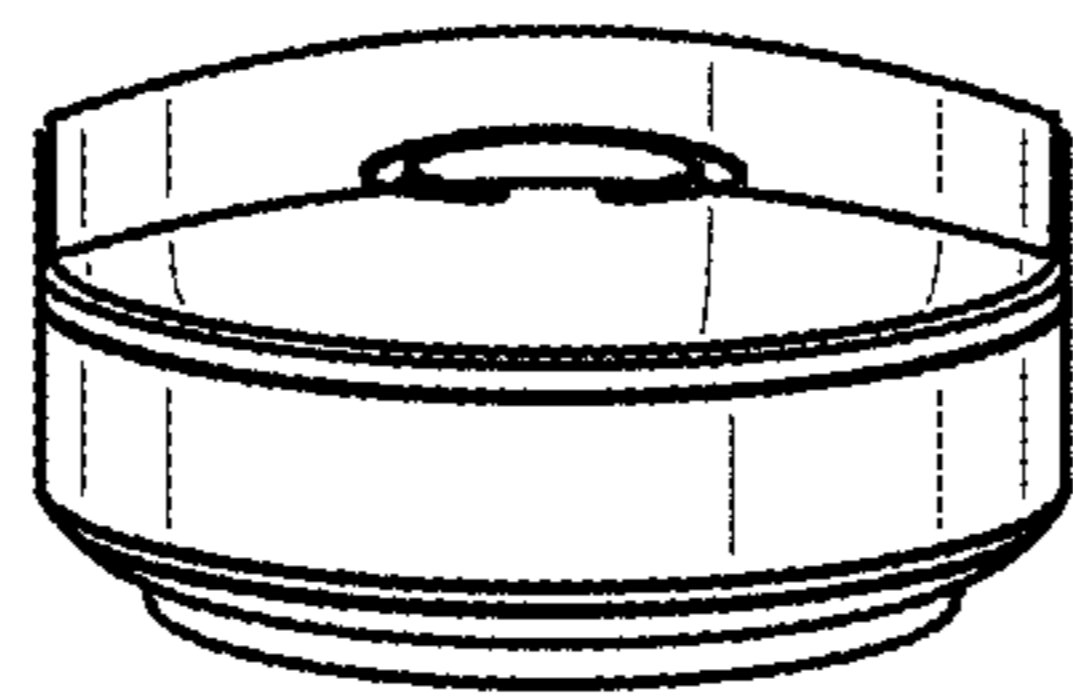


FIG. 4

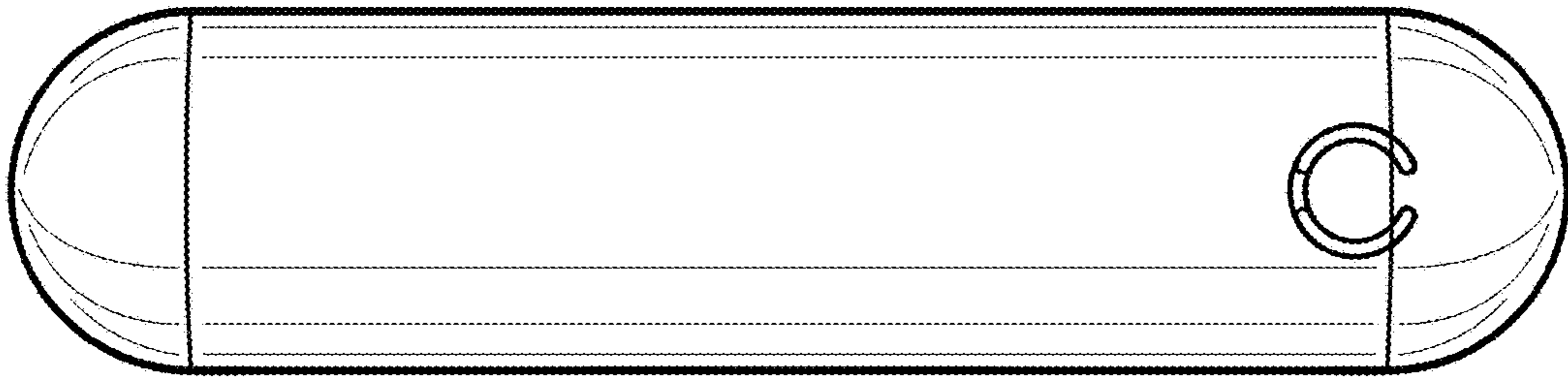


FIG. 5

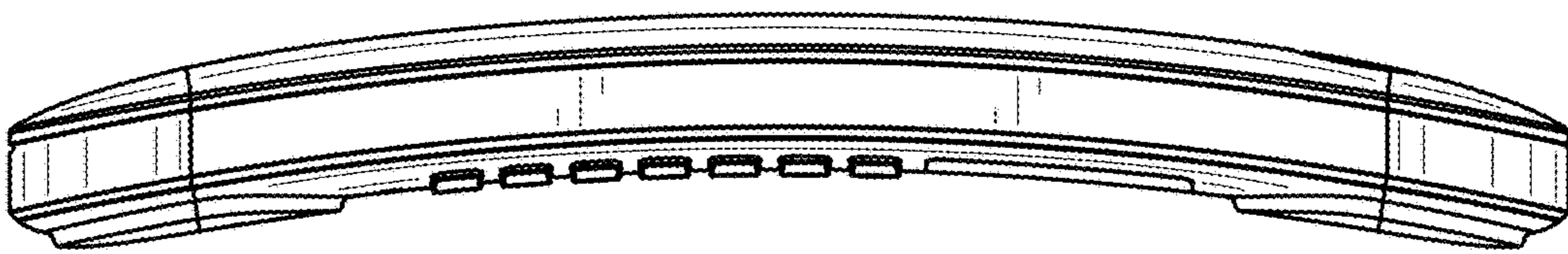


FIG. 6

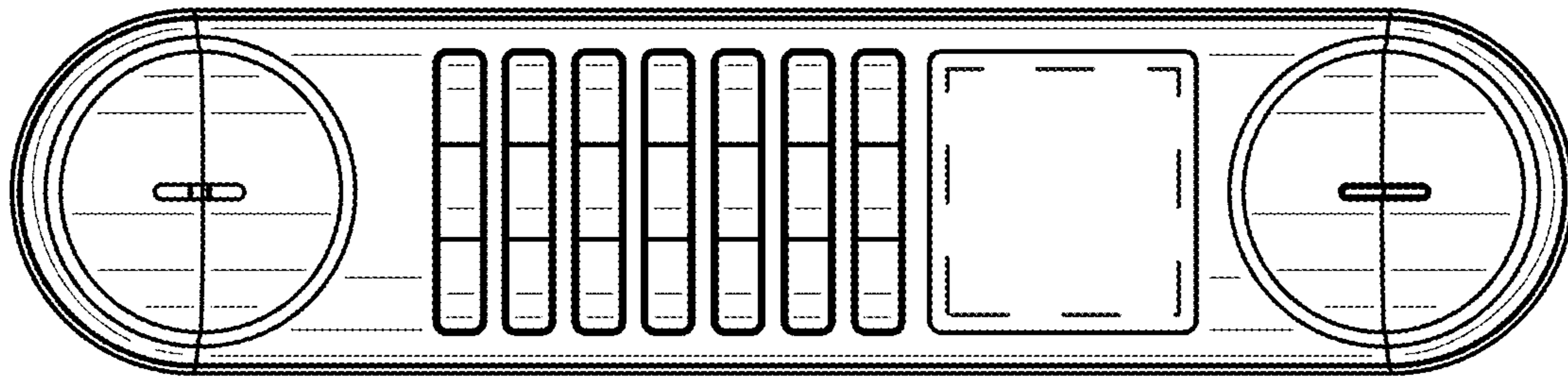


FIG. 7

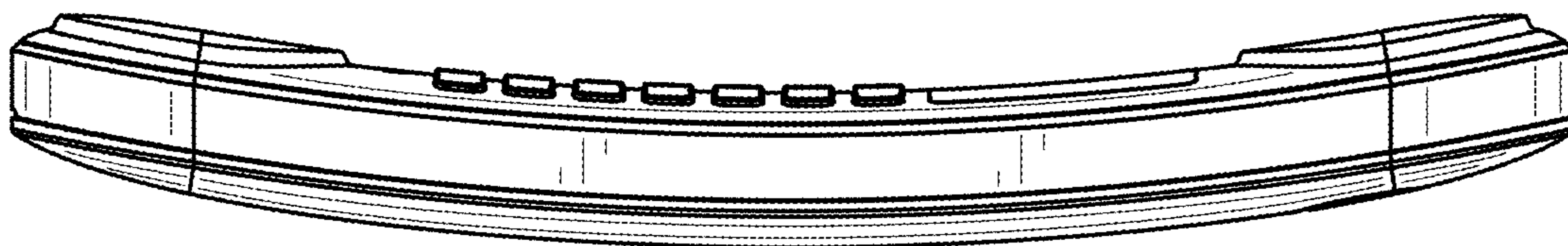


FIG. 8