



US00D793976S

(12) **United States Design Patent**
Fukushima et al.

(10) **Patent No.:** **US D793,976 S**
(45) **Date of Patent:** **** Aug. 8, 2017**

- (54) **SUBSTRATE RETAINING RING**
- (71) Applicant: **EBARA CORPORATION**, Tokyo (JP)
- (72) Inventors: **Makoto Fukushima**, Tokyo (JP);
Hozumi Yasuda, Tokyo (JP); **Keisuke Namiki**, Tokyo (JP); **Osamu Nabeya**, Tokyo (JP); **Shingo Togashi**, Tokyo (JP); **Satoru Yamaki**, Tokyo (JP)
- (73) Assignee: **EBARA CORPORATION**, Tokyo (JP)
- (**) Term: **15 Years**
- (21) Appl. No.: **29/573,831**
- (22) Filed: **Aug. 10, 2016**

Related U.S. Application Data

- (62) Division of application No. 29/472,350, filed on Nov. 12, 2013, now Pat. No. Des. 766,849.

Foreign Application Priority Data

- (30) May 15, 2013 (JP) 2013-10671
- Jun. 14, 2013 (JP) 2013-13457
- Oct. 30, 2013 (JP) 2013-25259
- (51) **LOC (10) Cl.** **13-03**
- (52) **U.S. Cl.**
USPC **D13/182**
- (58) **Field of Classification Search**
USPC D13/182; 156/345.12, 345.13, 345.14;
451/173, 177, 28, 282, 285, 286, 287,
451/288, 296, 297, 307, 398, 41, 443, 51
CPC B24B 1/00; B24B 1/002; B24B 1/005;
B24B 1/007; B24B 1/04; B24B 29/00;
B24B 37/27; B24B 37/30; B24B 37/32;
B24B 7/22; B24B 5/00
See application file for complete search history.

(56) **References Cited**

U.S. PATENT DOCUMENTS

5,205,082 A	4/1993	Shendon	
5,403,401 A *	4/1995	Haafkens H01L 21/6875 118/500
5,944,593 A	8/1999	Chiu	
6,068,548 A	5/2000	Vote	
6,186,880 B1	2/2001	Gonzalez	
6,224,472 B1	5/2001	Lai	
6,264,540 B1	7/2001	Fruitman	
6,602,116 B1	8/2003	Prince	
6,869,335 B2	3/2005	Taylor	

(Continued)

FOREIGN PATENT DOCUMENTS

TW	D 130502 S	8/2009
TW	D 132339 S	12/2009

(Continued)

Primary Examiner — Elizabeth J Oswecki

(74) *Attorney, Agent, or Firm* — Pearne & Gordon LLP

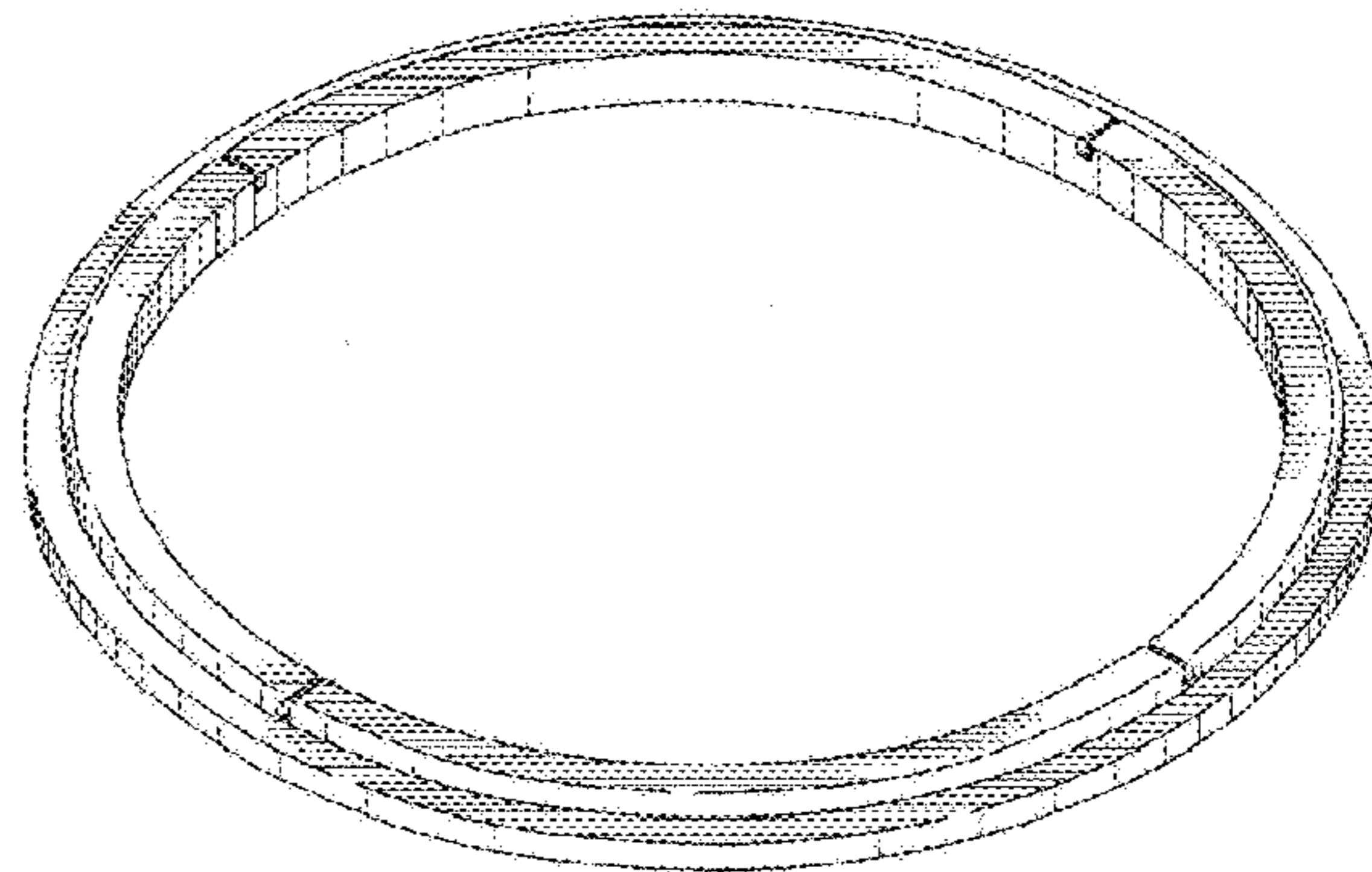
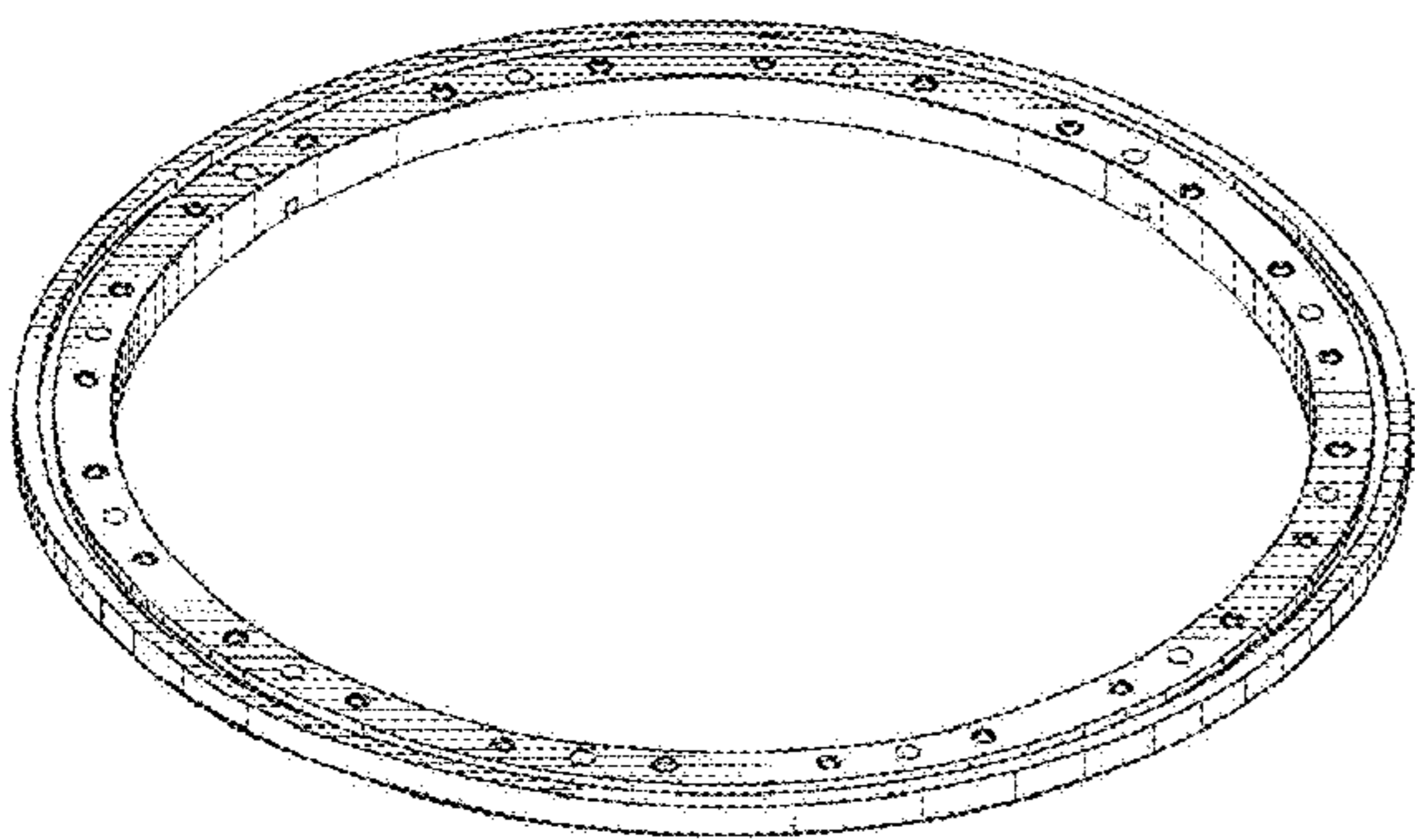
(57) **CLAIM**

The ornamental design for a substrate retaining ring, as shown and described.

DESCRIPTION

FIG. 1 is a top perspective view of a substrate retaining ring, showing our new design;
 FIG. 2 is a bottom perspective view thereof;
 FIG. 3 is a top plan view thereof;
 FIG. 4 is a bottom plan view thereof;
 FIG. 5 is a side view thereof, with the ring being radially symmetrical about a vertical axis;
 FIG. 6 is a cross sectional view taken along line 6-6 in FIG. 3;
 FIG. 7 is a cross sectional view taken along line 7-7 in FIG. 3; and,
 FIG. 8 is a cross sectional view taken along line 8-8 in FIG. 3.

1 Claim, 4 Drawing Sheets



(56)

References Cited

U.S. PATENT DOCUMENTS

6,893,507 B2 * 5/2005 Goodman C23C 16/4581
 118/715
 7,029,375 B2 4/2006 Phang
 7,029,386 B2 4/2006 Young
 7,160,493 B2 1/2007 Willis
 7,186,171 B2 3/2007 Oh
 D548,705 S 8/2007 Hayashi
 7,326,105 B2 2/2008 Chandrasekaran
 7,344,434 B2 3/2008 Chen
 7,459,057 B2 12/2008 Zuniga
 7,597,609 B2 10/2009 Wang
 D614,593 S * 4/2010 Lee D13/182
 7,819,723 B2 10/2010 Nakamura
 D648,289 S * 11/2011 Mayer D13/182
 8,298,046 B2 10/2012 Frank, Jr.
 8,517,803 B2 8/2013 Sather
 D699,200 S 2/2014 Nagakubo

D709,536 S 7/2014 Yoshimura
 D709,537 S 7/2014 Kuwabara
 D709,538 S 7/2014 Mizukami
 D709,539 S 7/2014 Kuwabara
 D716,742 S 11/2014 Jang
 D724,553 S 3/2015 Choi
 D734,377 S 7/2015 Hirakida
 D766,849 S * 9/2016 Fukushima D13/182
 2005/0193952 A1 * 9/2005 Goodman H01J 37/32871
 118/728

FOREIGN PATENT DOCUMENTS

TW D 132340 S 12/2009
 TW D 138369 S 12/2010
 TW D 140827 S 6/2011
 TW D 140828 S 6/2011
 TW D 140829 S 6/2011
 TW D 140830 S 6/2011

* cited by examiner

FIG. 1

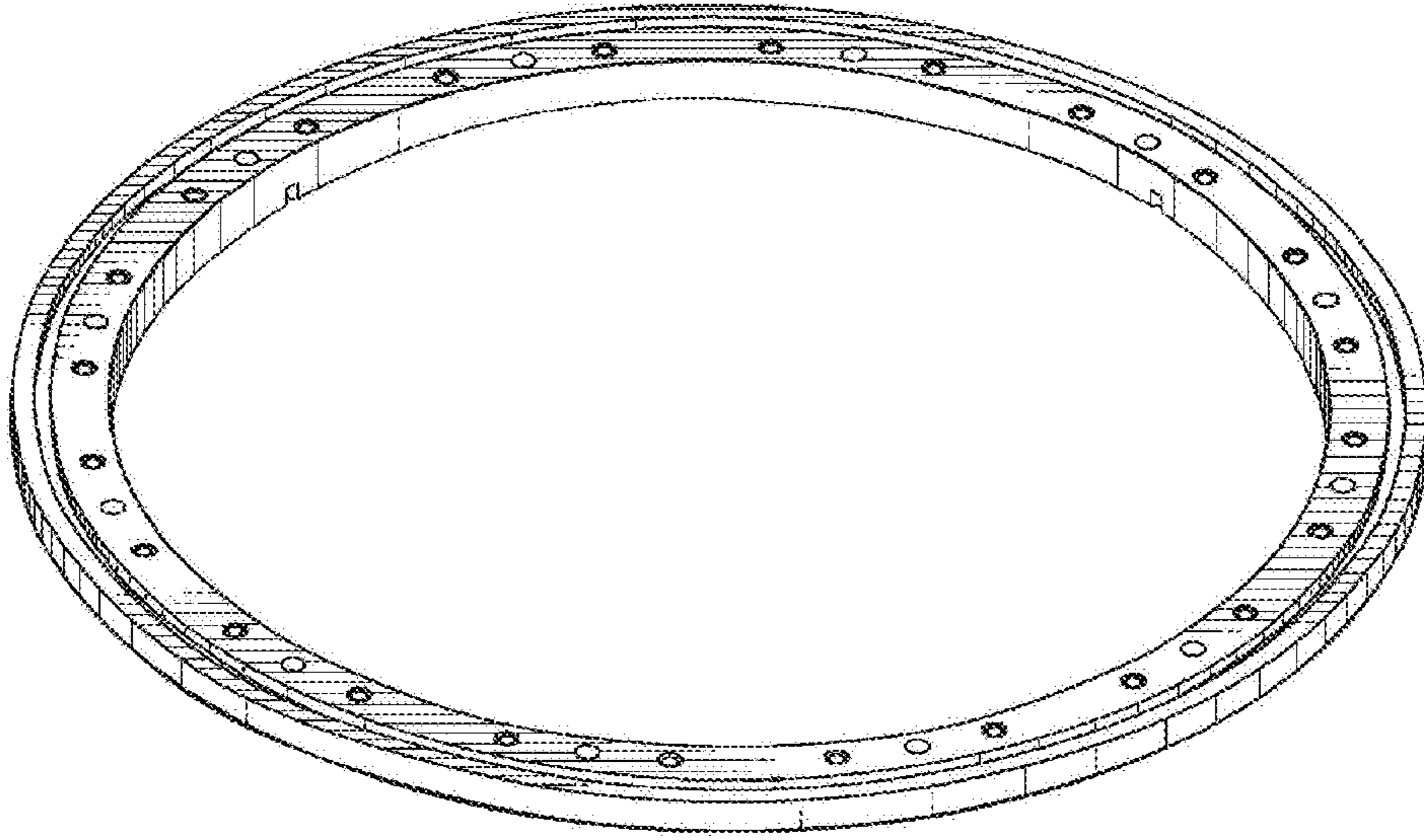


FIG. 2

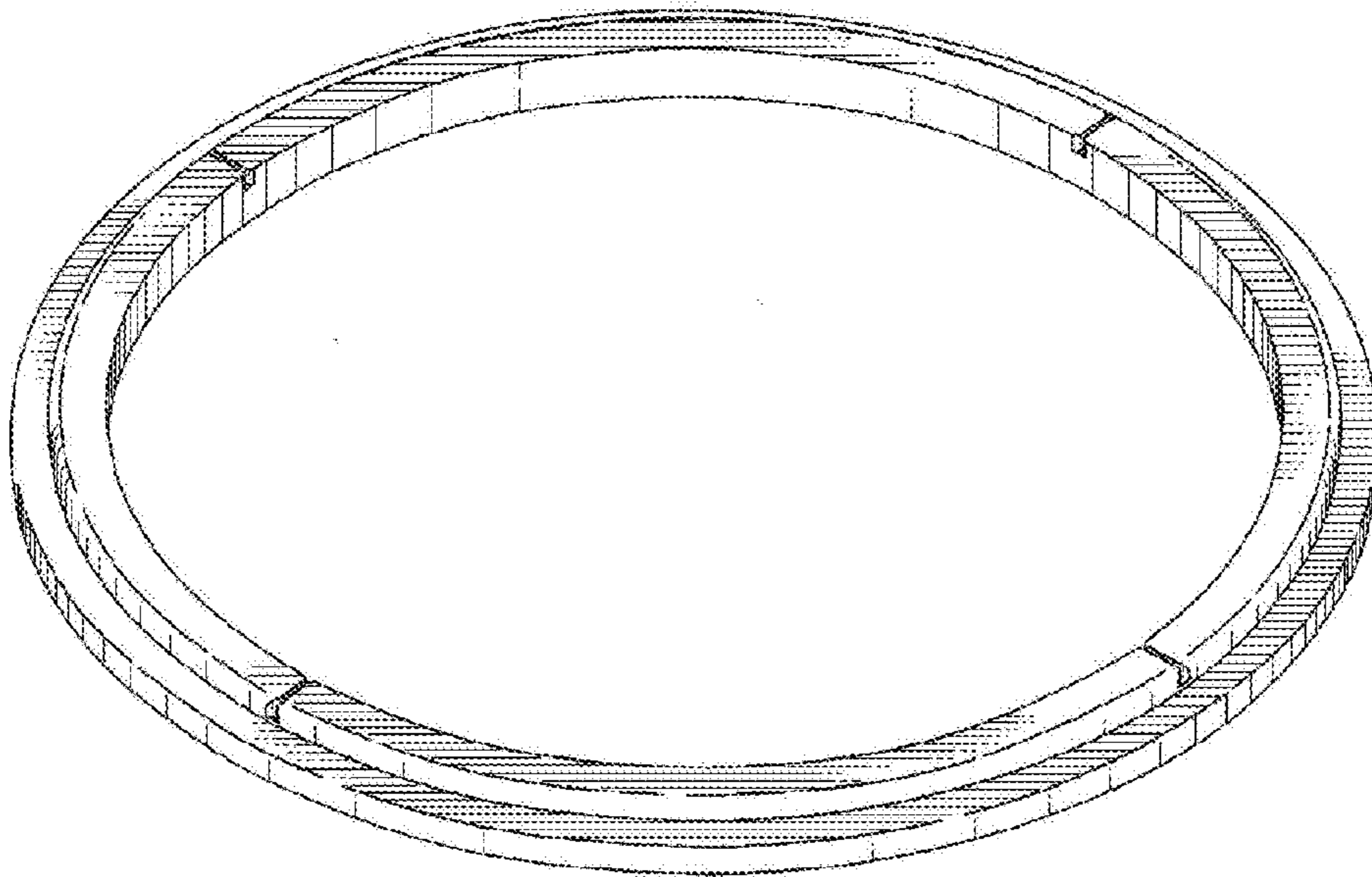


FIG. 3

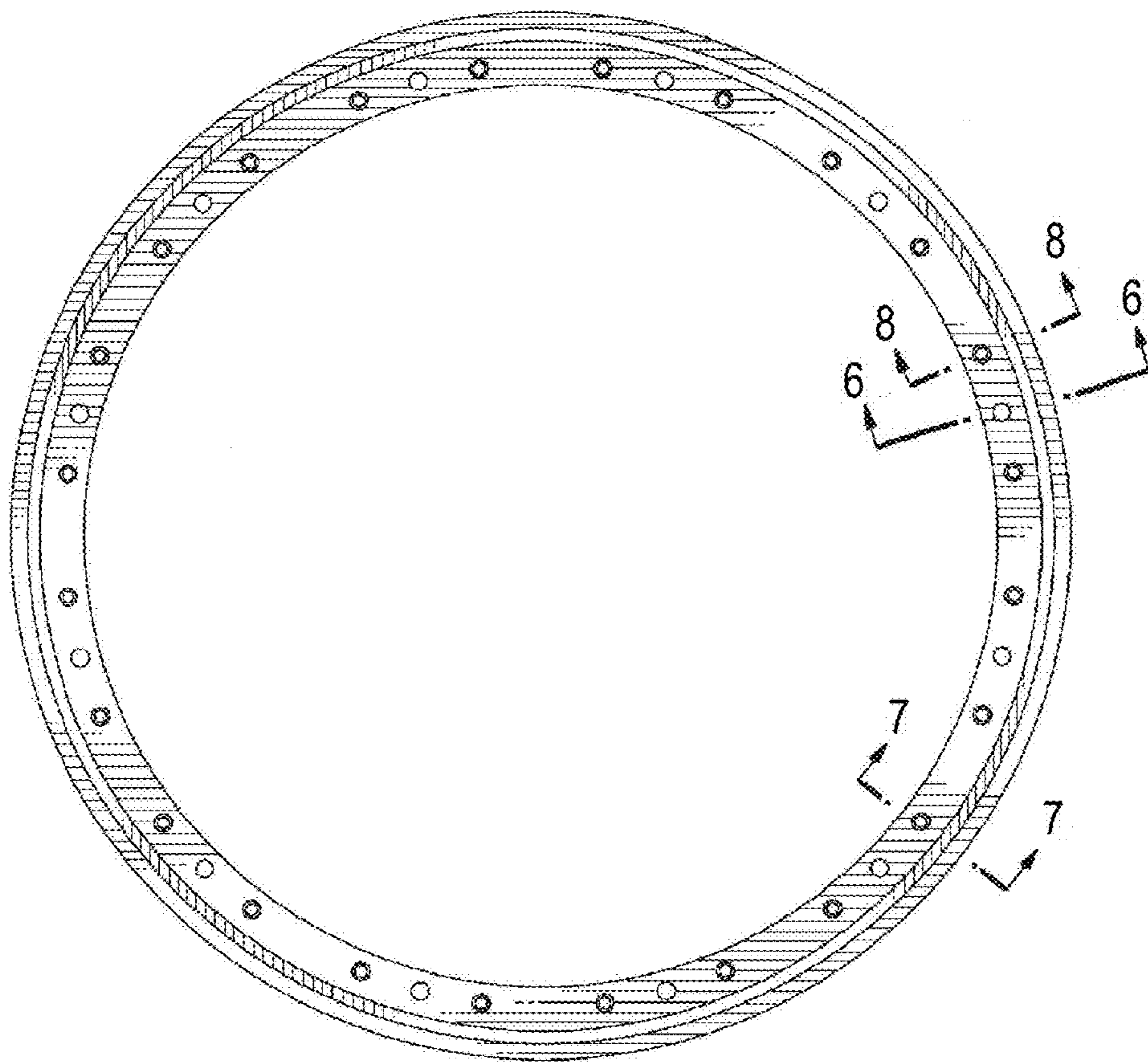


FIG. 4

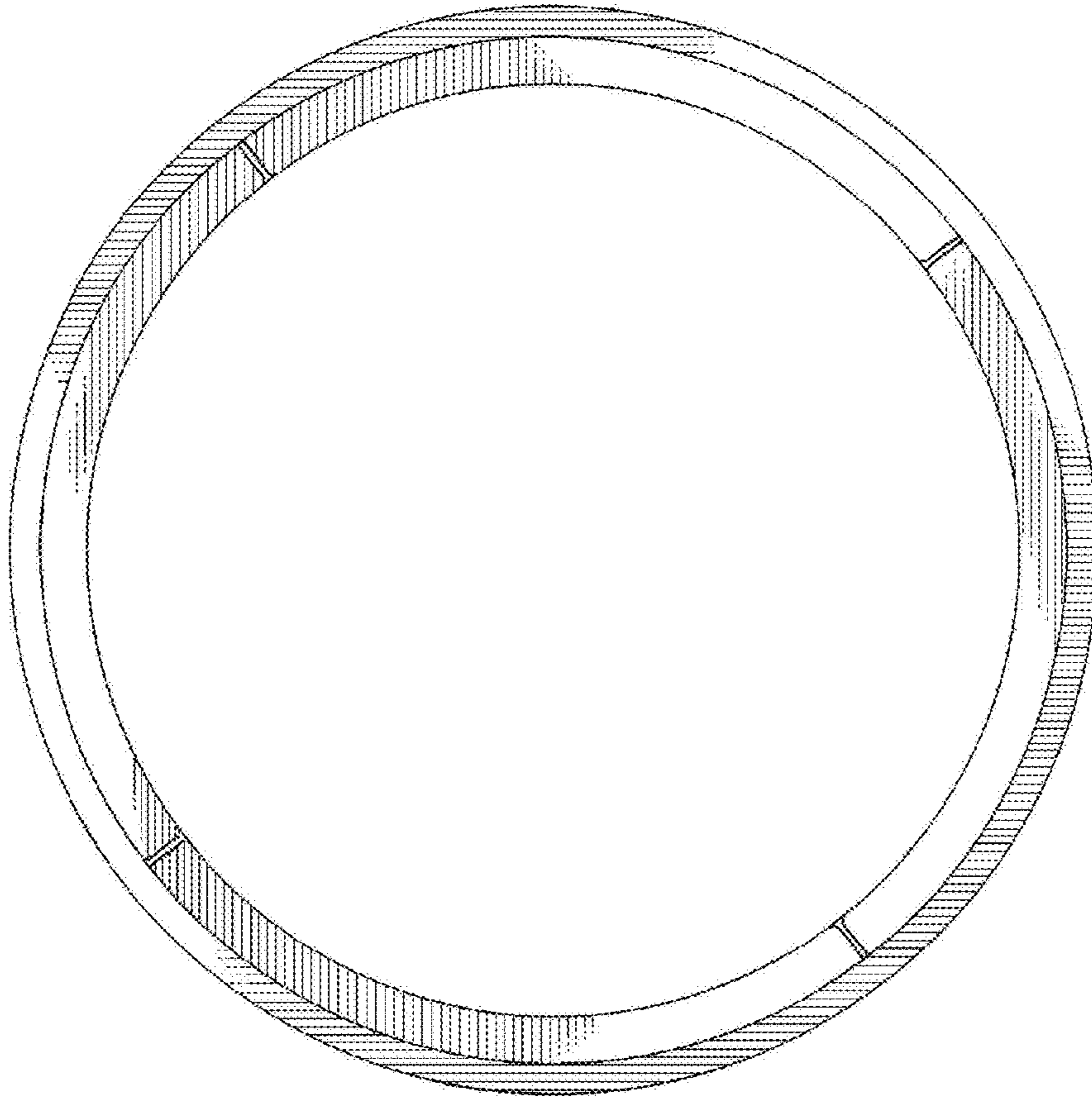


FIG. 5



FIG. 6

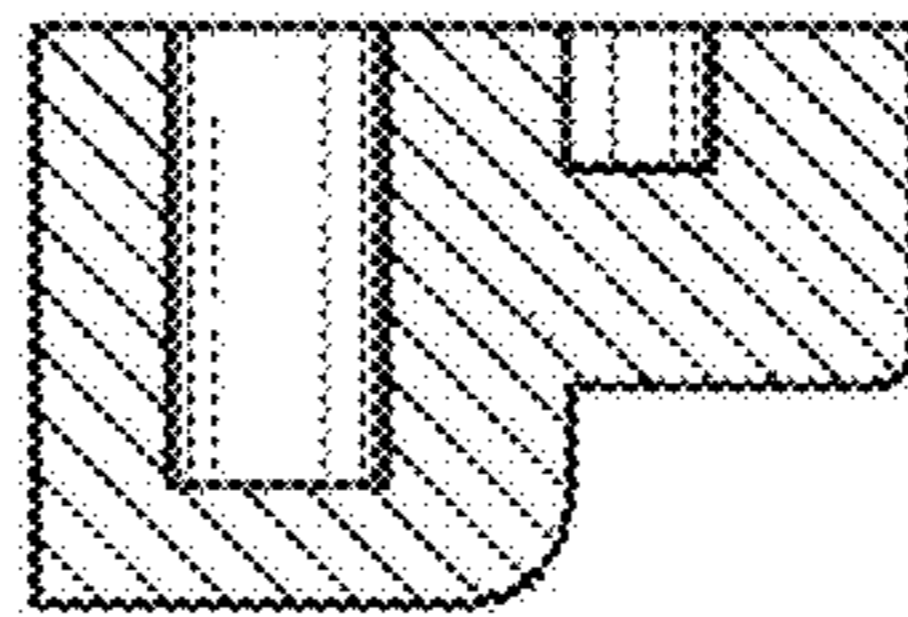


FIG. 7

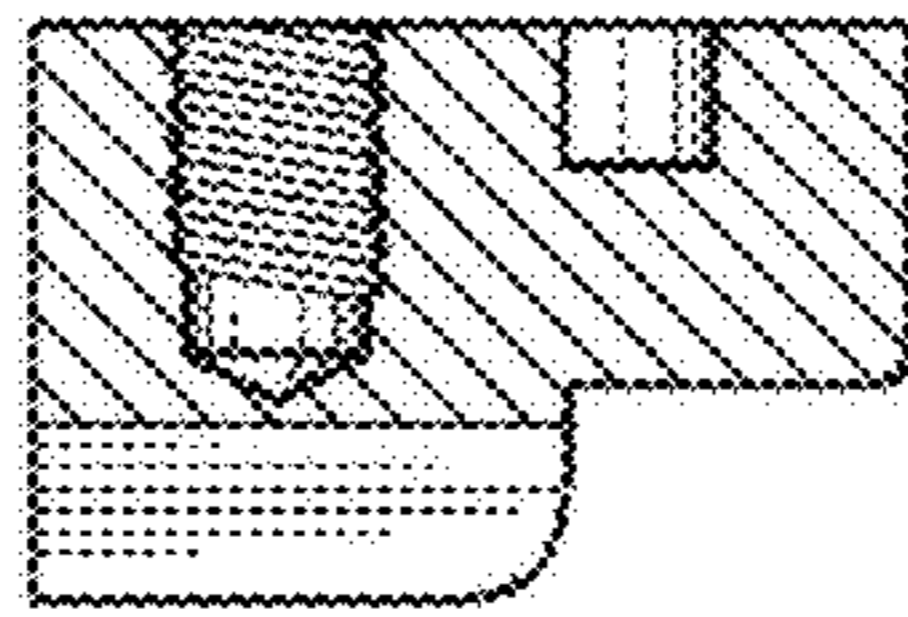


FIG. 8

