



US00D793973S

(12) **United States Design Patent**
Matsumoto et al.

(10) **Patent No.:** **US D793,973 S**
(45) **Date of Patent:** **** *Aug. 8, 2017**

(54) **SUBSTRATE FOR AN ELECTRONIC CIRCUIT**

25/18; H05K 1/111; H05K 1/112; H05K 3/00; H05K 5/00; H05K 7/00; H05K 7/12
See application file for complete search history.

(71) Applicant: **Kabushiki Kaisha Toshiba**, Minato-ku, Tokyo (JP)

(56) **References Cited**

(72) Inventors: **Manabu Matsumoto**, Yokohama (JP);
Yasumasa Toyoda, Yokohama (JP)

U.S. PATENT DOCUMENTS

(73) Assignee: **Kabushiki Kaisha Toshiba**, Tokyo (JP)

5,303,121 A * 4/1994 Thornberg H05K 1/141
174/255
D432,096 S * 10/2000 Jeon D13/182
(Continued)

(*) Notice: This patent is subject to a terminal disclaimer.

FOREIGN PATENT DOCUMENTS

(**) Term: **15 Years**

JP 1104233 S 3/2001
JP 1152236 S 9/2002
(Continued)

(21) Appl. No.: **29/533,042**

Primary Examiner — Thomas Johannes
Assistant Examiner — Shawn T Gingrich
(74) *Attorney, Agent, or Firm* — Banner & Witcoff, Ltd.

(22) Filed: **Jul. 14, 2015**

(30) **Foreign Application Priority Data**

(57) **CLAIM**

Jan. 14, 2015 (JP) 2015-000440

The ornamental design for a substrate for an electronic circuit, as shown and described.

(51) **LOC (10) Cl.** **13-03**

(52) **U.S. Cl.**
USPC **D13/182**

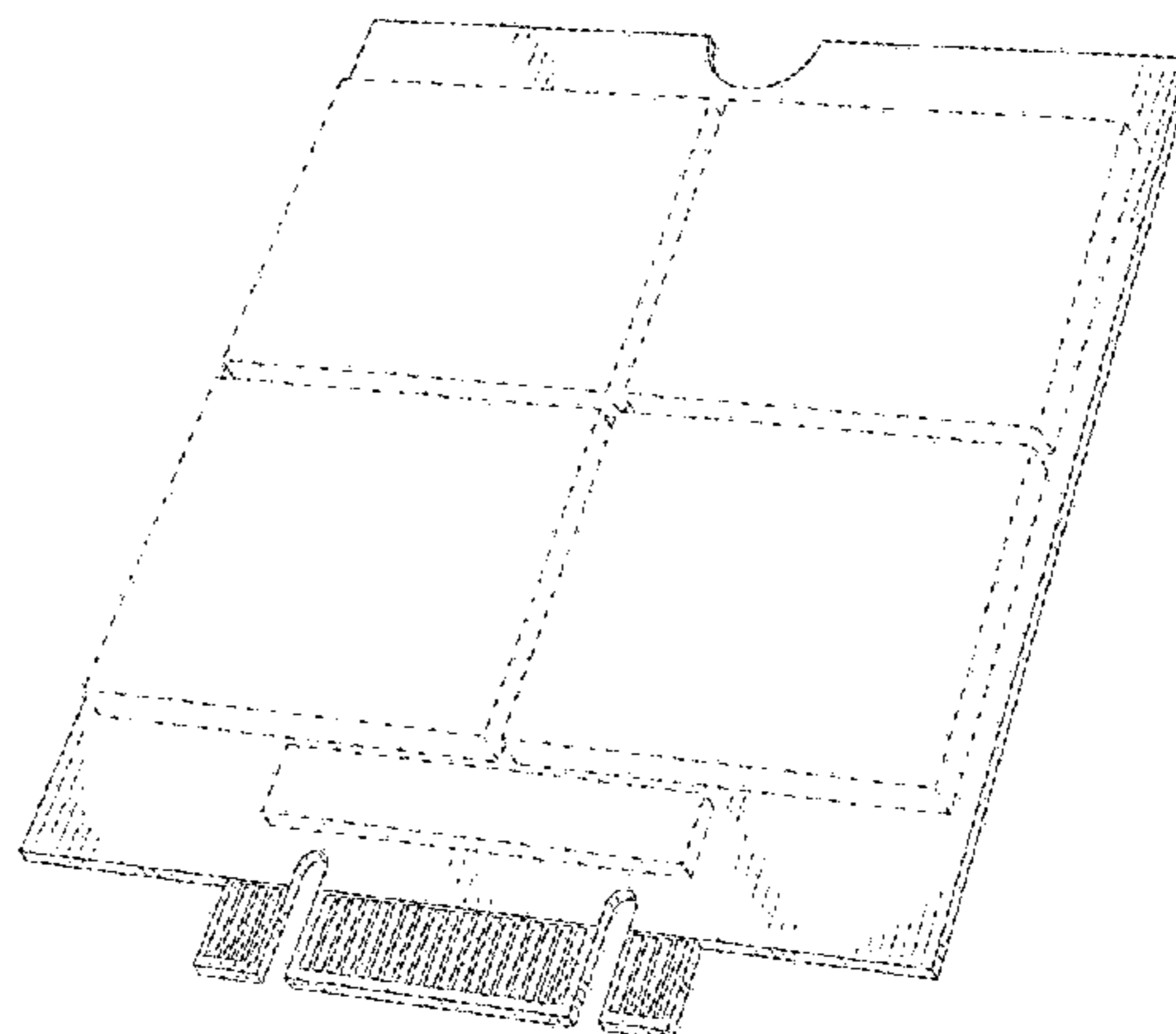
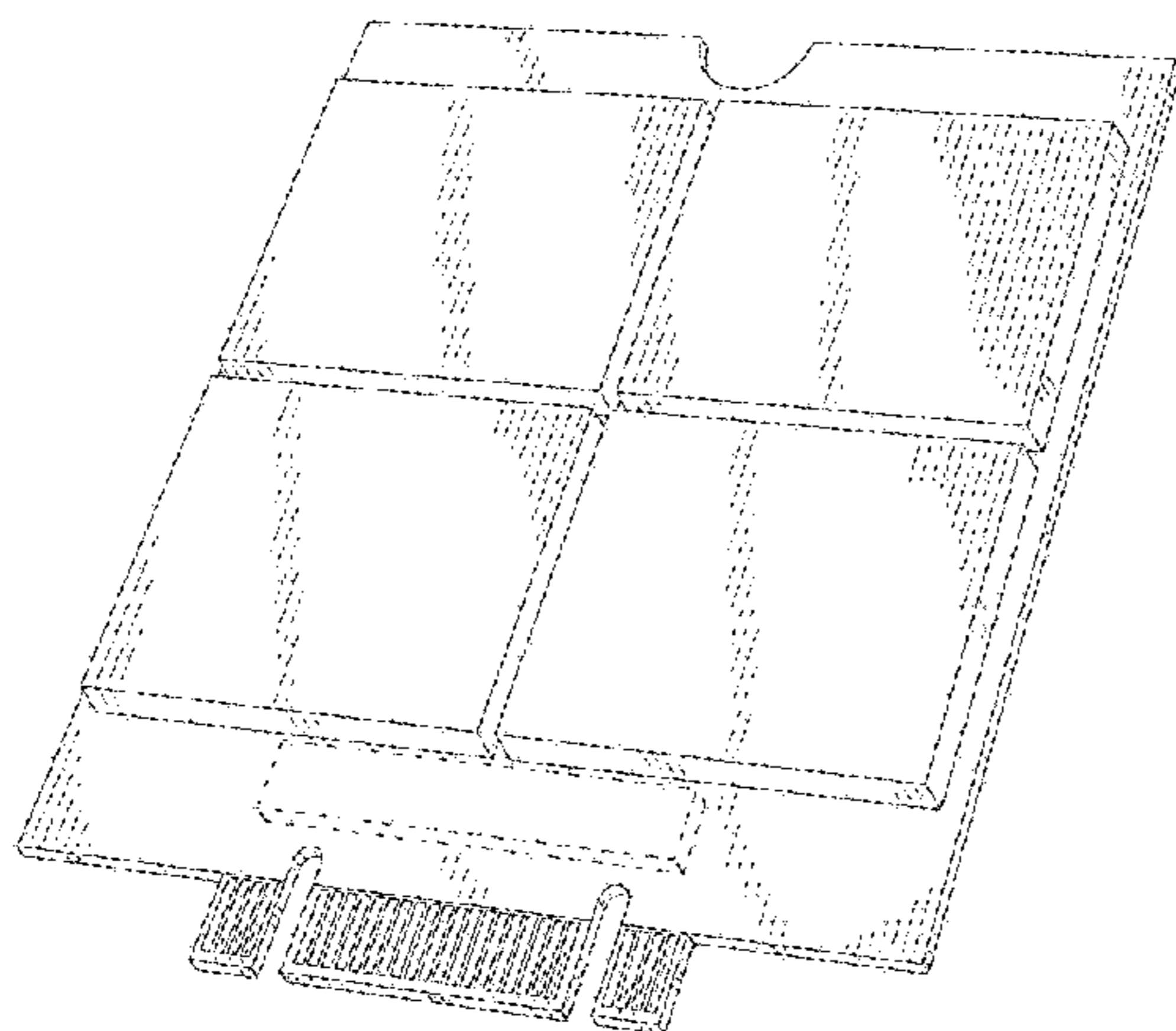
DESCRIPTION

(58) **Field of Classification Search**

USPC D13/110, 118, 123, 133, 146, 147, 173,
D13/182, 184, 199; D14/436
CPC C09K 19/00; C09K 19/02; G06F 1/16;
G06F 1/183; G06F 1/184; G06F 1/187;
G11B 33/12; G11B 33/123; G11B
33/124; G11B 33/125; G11C 7/22; G11C
14/00; G11C 16/10; G11C 16/14; G11C
16/26; G11C 16/30; G11C 29/12; H01L
23/00; H01L 23/28; H01L 23/29; H01L
23/298; H01L 23/31; H01L 23/34; H01L
25/00; H01L 25/065; H01L 25/072; H01L

FIG. 1 is a front, bottom and right side perspective view of a substrate for an electronic circuit, showing our new design; FIG. 2 is a rear, bottom and left side perspective view thereof; FIG. 3 is a front view thereof; FIG. 4 is a rear view thereof; FIG. 5 is a top view thereof; FIG. 6 is a bottom view thereof; FIG. 7 is a right side view thereof, the left side being symmetrical; FIG. 8 is a cross sectional view thereof, taken along line 8-8 in FIG. 3; and, FIG. 9 is a cross sectional view thereof, taken along line 9-9 in FIG. 3.

(Continued)



The broken line portion of the figure drawings is included to show portions of the article that form no part of the claimed design.

1 Claim, 6 Drawing Sheets

(56)

References Cited

U.S. PATENT DOCUMENTS

6,307,754 B1 * 10/2001 Le G06F 1/184
361/796
6,347,394 B1 * 2/2002 Ochoa G11C 5/04
326/37
D459,706 S 7/2002 Ebihara et al.
6,765,278 B2 * 7/2004 Parsons G01K 7/16
257/470
D637,193 S * 5/2011 Andre D14/436
D652,041 S * 1/2012 Andre D14/436
D655,296 S 3/2012 Andre et al.
D673,921 S * 1/2013 Ozawa D13/182
D673,922 S * 1/2013 Moriai D13/182
D686,215 S * 7/2013 Andre D14/436
D716,310 S * 10/2014 Andre D14/436
D730,304 S * 5/2015 Matsumoto D13/182
D753,073 S * 4/2016 Sponring D13/182

D764,424 S * 8/2016 Matsumoto D13/182
D778,851 S * 2/2017 Matsumoto D13/182
D778,852 S * 2/2017 Matsumoto D13/182
2007/0274032 A1 * 11/2007 Ni H05K 5/0269
361/679.31
2008/0137278 A1 * 6/2008 Chih G11O 5/06
361/679.31
2009/0279243 A1 * 11/2009 Amidi G11O 5/04
361/679.31
2010/0264520 A1 * 10/2010 Ogawa H01L 23/3735
257/618
2011/0122481 A1 * 5/2011 Ide G02B 6/12007
359/326
2013/0306991 A1 * 11/2013 Terai H01L 25/07
257/77
2015/0355686 A1 * 12/2015 Heyd G06F 1/187
361/679.31
2016/0172016 A1 * 6/2016 Matsumoto G06F 11/1076
365/191
2016/0334992 A1 * 11/2016 Yashiro G06F 3/0604
2017/0010639 A1 * 1/2017 Matsumoto G06F 1/183

FOREIGN PATENT DOCUMENTS

JP 1426166 S 10/2011
JP 1436226 S 3/2012
JP 1479369 S 9/2013
JP 1479370 S 9/2013

* cited by examiner

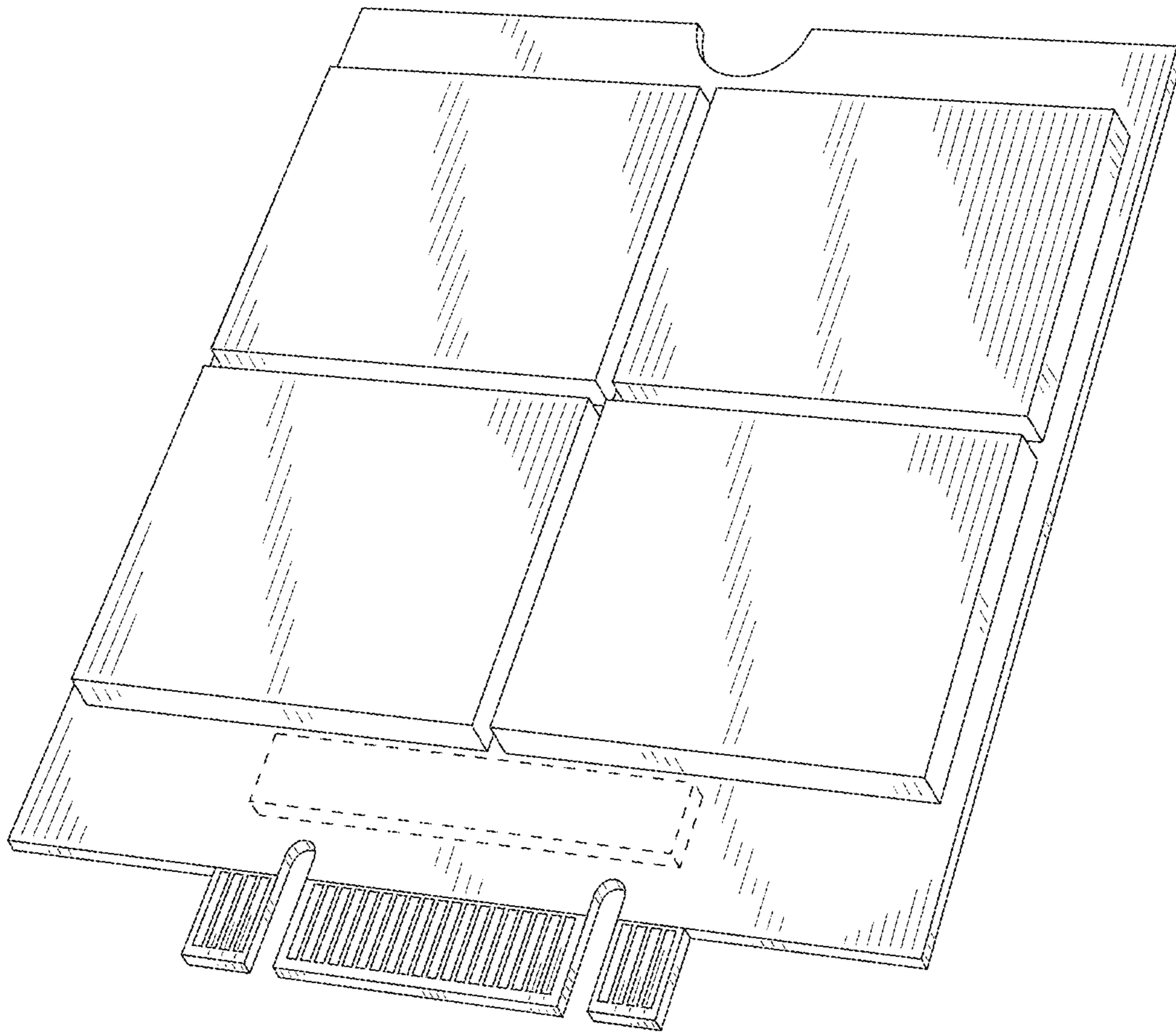


Fig. 1

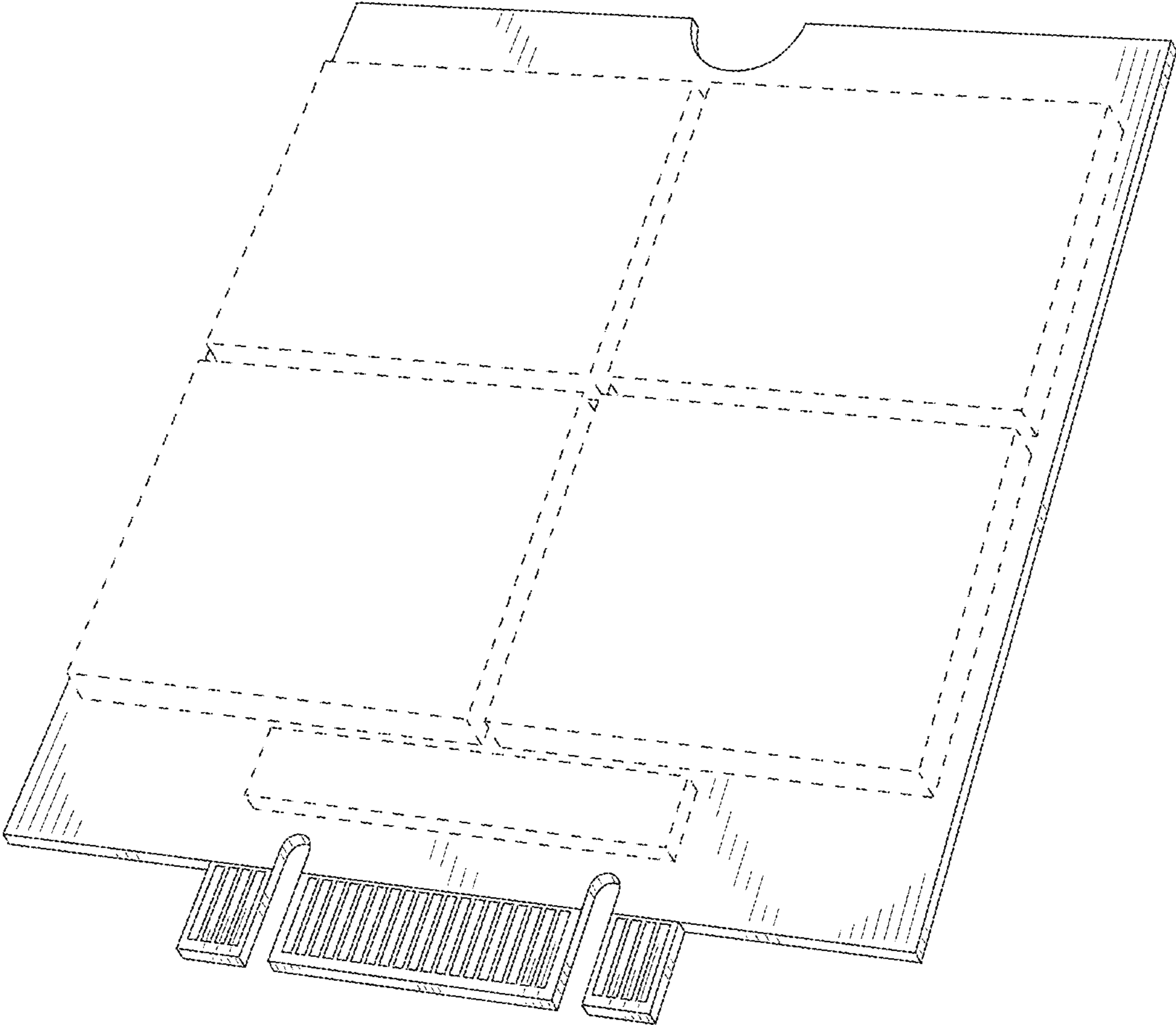


Fig.2

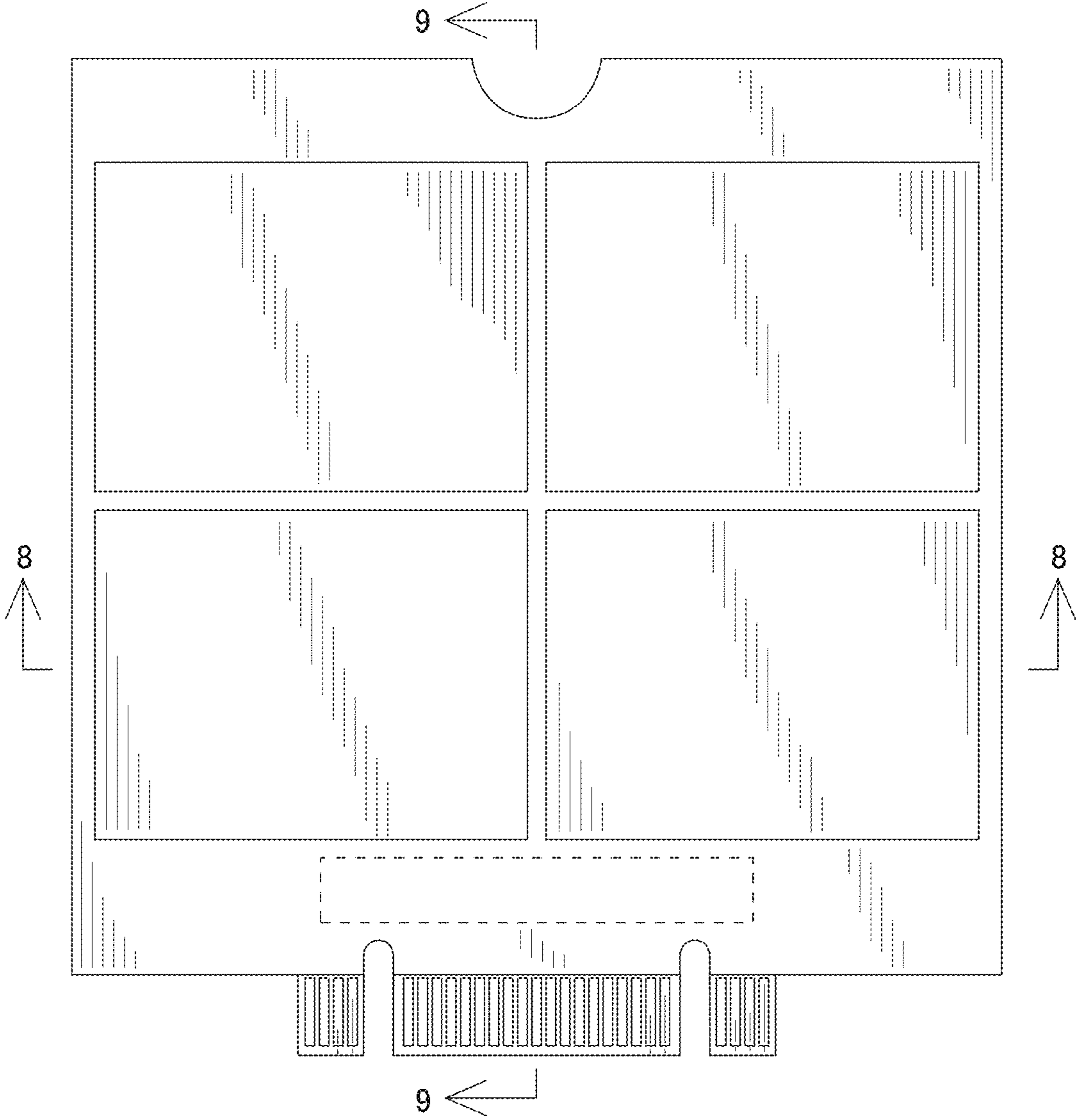


Fig. 3

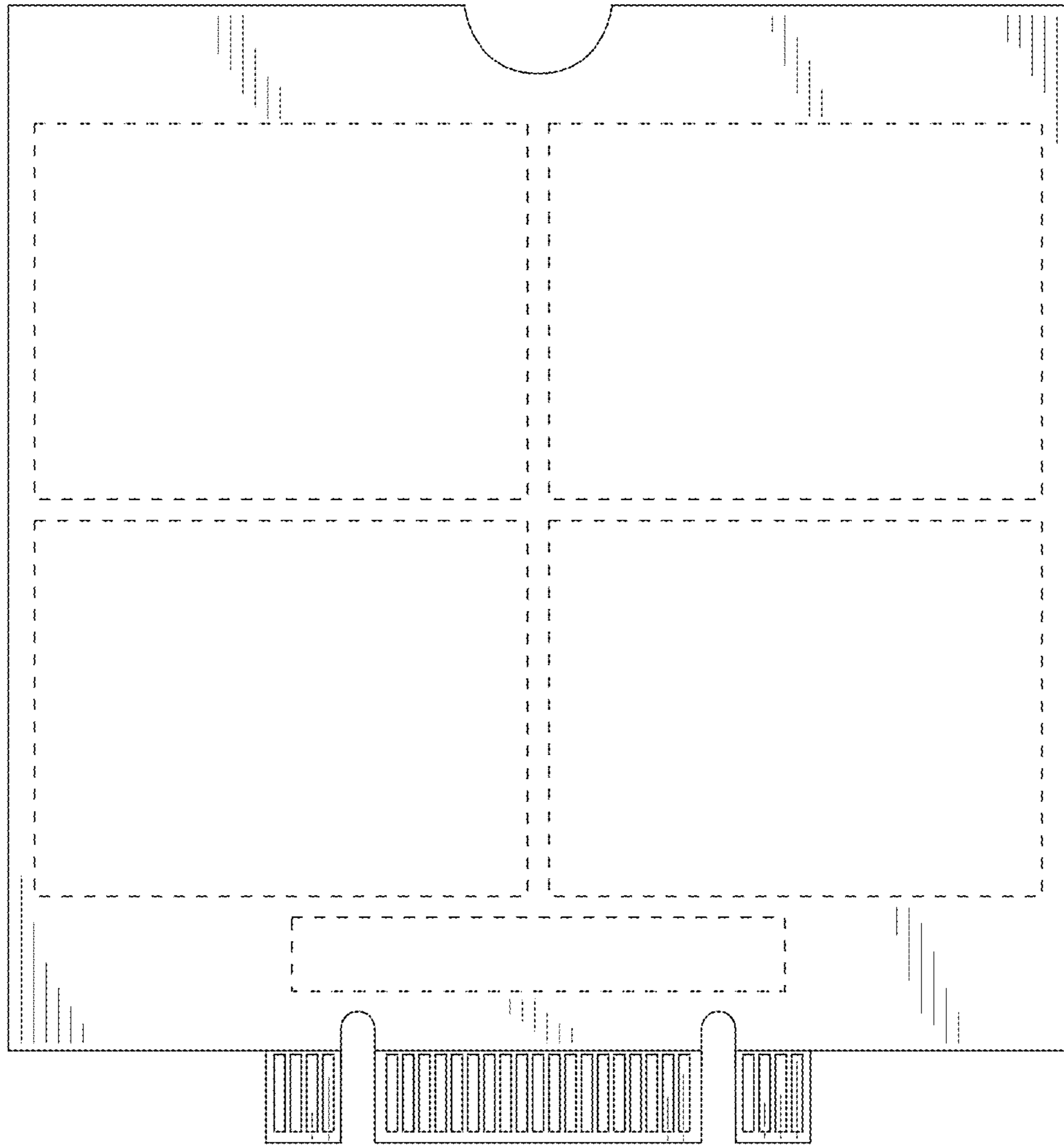


Fig.4

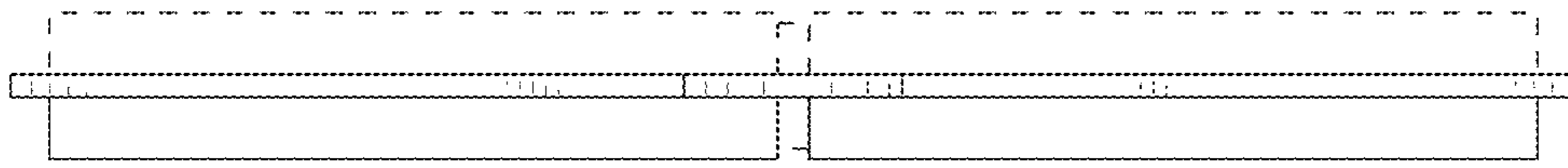


Fig. 5

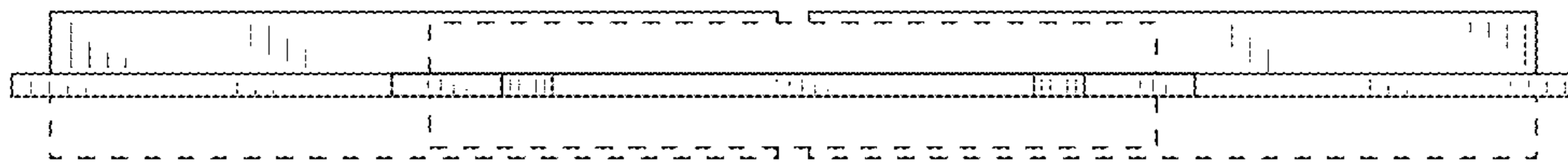


Fig. 6

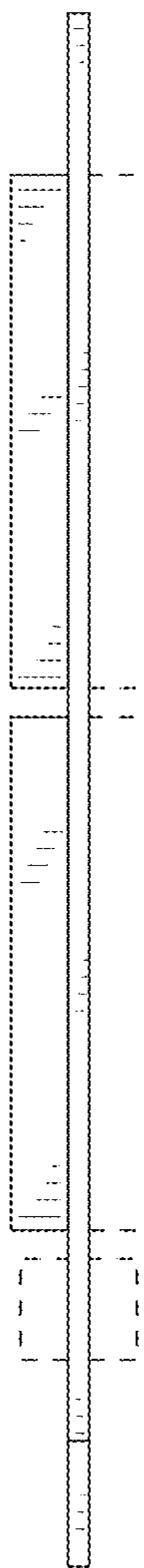


Fig. 7

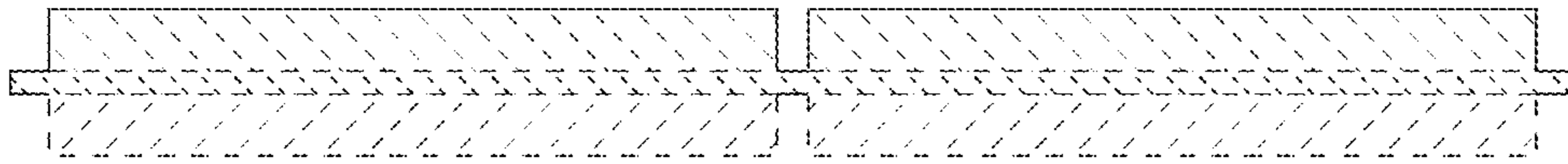


Fig. 8

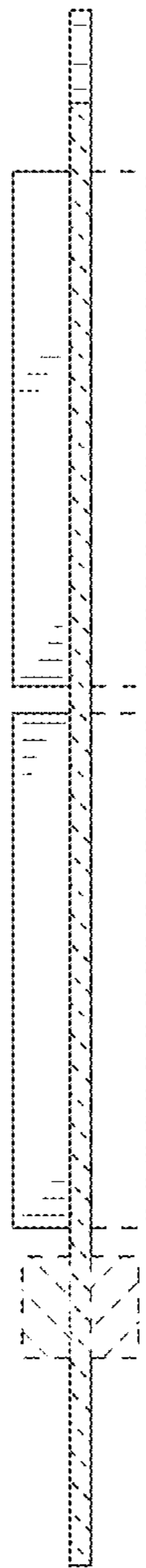


Fig. 9