



US00D793969S

(12) **United States Design Patent**
Couture et al.

(10) **Patent No.:** **US D793,969 S**

(45) **Date of Patent:** **** Aug. 8, 2017**

(54) **REMOTE CONTROL**

(71) Applicant: **ARTIKA FOR LIVING INC.**, Dorval,
Quebec (CA)

(72) Inventors: **Marc Couture**, Lachine (CA); **Dave Morneau**, Mont St-Hilaire (CA);
Oliver Bradley, Montreal (CA)

(73) Assignee: **ARTIKA FOR LIVING INC.**, Dorval
(CA)

(**) Term: **15 Years**

(21) Appl. No.: **29/563,012**

(22) Filed: **May 2, 2016**

(30) **Foreign Application Priority Data**

Nov. 5, 2015 (CA) 1 651 74

(51) **LOC (10) Cl.** **14-03**

(52) **U.S. Cl.**
USPC **D13/168**

(58) **Field of Classification Search**
USPC D13/168; D14/218
CPC G08C 23/04; G08C 17/00; G08C 17/02;
H01H 9/0214; H01H 9/0235; H01H
9/0242; H03J 1/0025; H04B 1/202
See application file for complete search history.

(56) **References Cited**

U.S. PATENT DOCUMENTS

D583,776 S * 12/2008 Lacour D13/168
D614,171 S * 4/2010 Son D14/218
D624,880 S * 10/2010 Felegy, Jr. D13/168
D641,718 S * 7/2011 Sakai D13/168

D664,123 S * 7/2012 Nguyen D14/218
D694,198 S * 11/2013 Felegy, Jr. D13/168
D697,056 S * 1/2014 McManigal D14/218
D757,690 S * 5/2016 Lee D13/168

* cited by examiner

Primary Examiner — Selina Sikder

(74) *Attorney, Agent, or Firm* — Brouillette Legal Inc.;
Damien Calvet

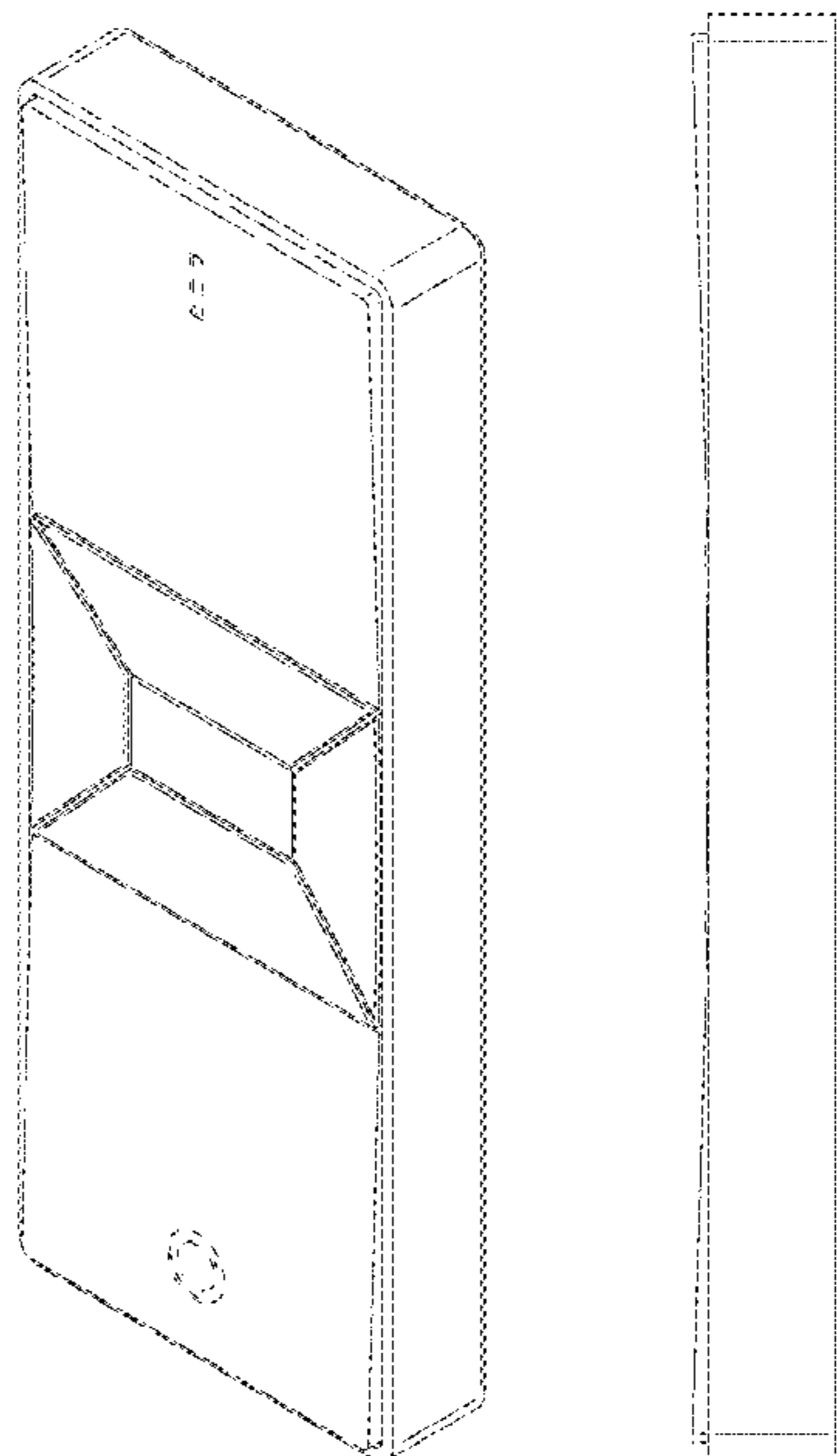
(57) **CLAIM**

The ornamental design for a remote control, as shown and described.

DESCRIPTION

FIG. 1 is a perspective view of a remote control;
FIG. 2 is a left side elevation view of the remote control;
FIG. 3 is a front elevation view of the remote control;
FIG. 4 is a right side elevation view of the remote control;
FIG. 5 is a rear elevation view of the remote control;
FIG. 6 is a top plan view of the remote control; and,
FIG. 7 is a bottom plan view of the remote control.
The broken lines are for environmental purposes only and form no part of the claimed design.

1 Claim, 7 Drawing Sheets



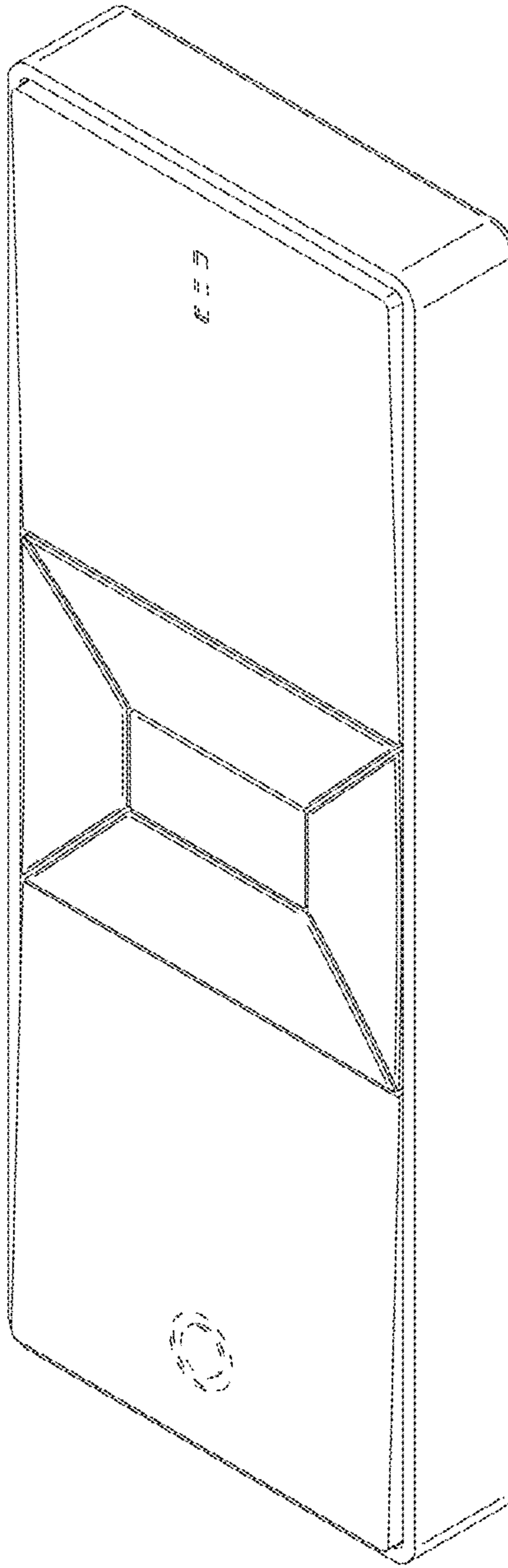


FIG. 1

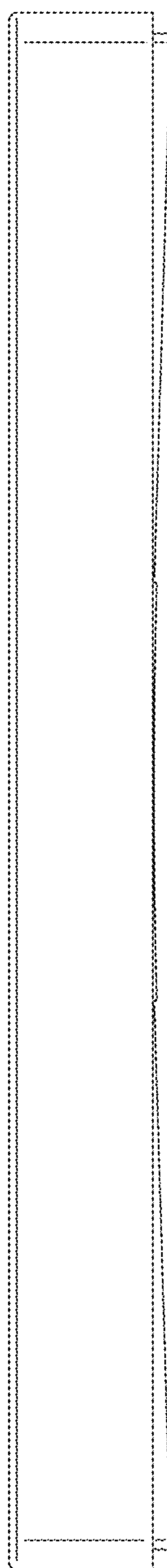


FIG. 2

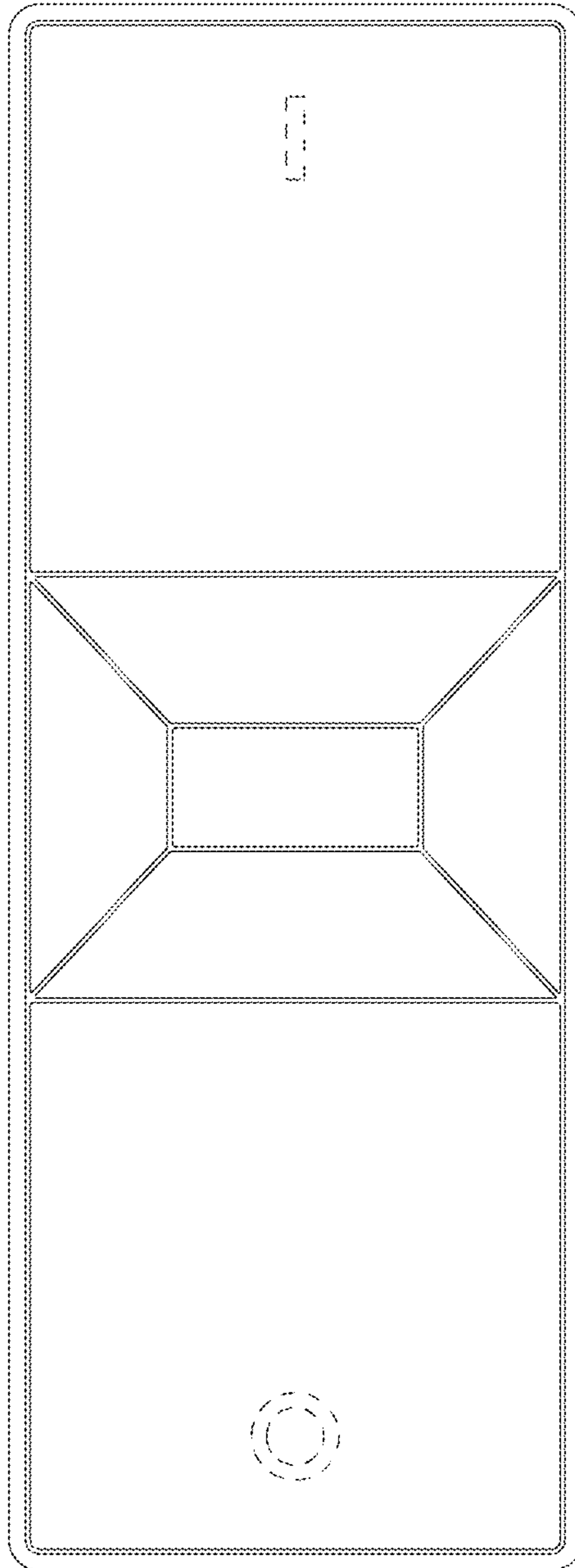


FIG. 3

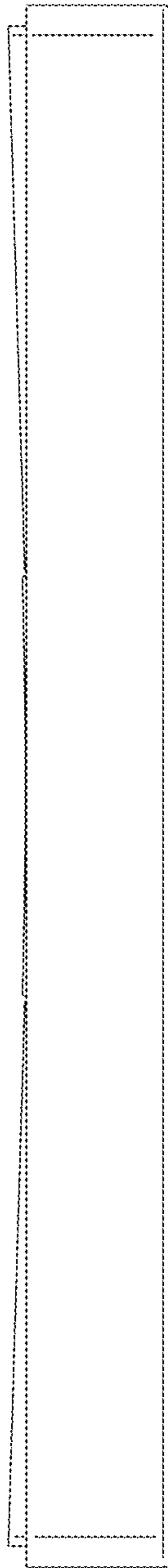


FIG. 4

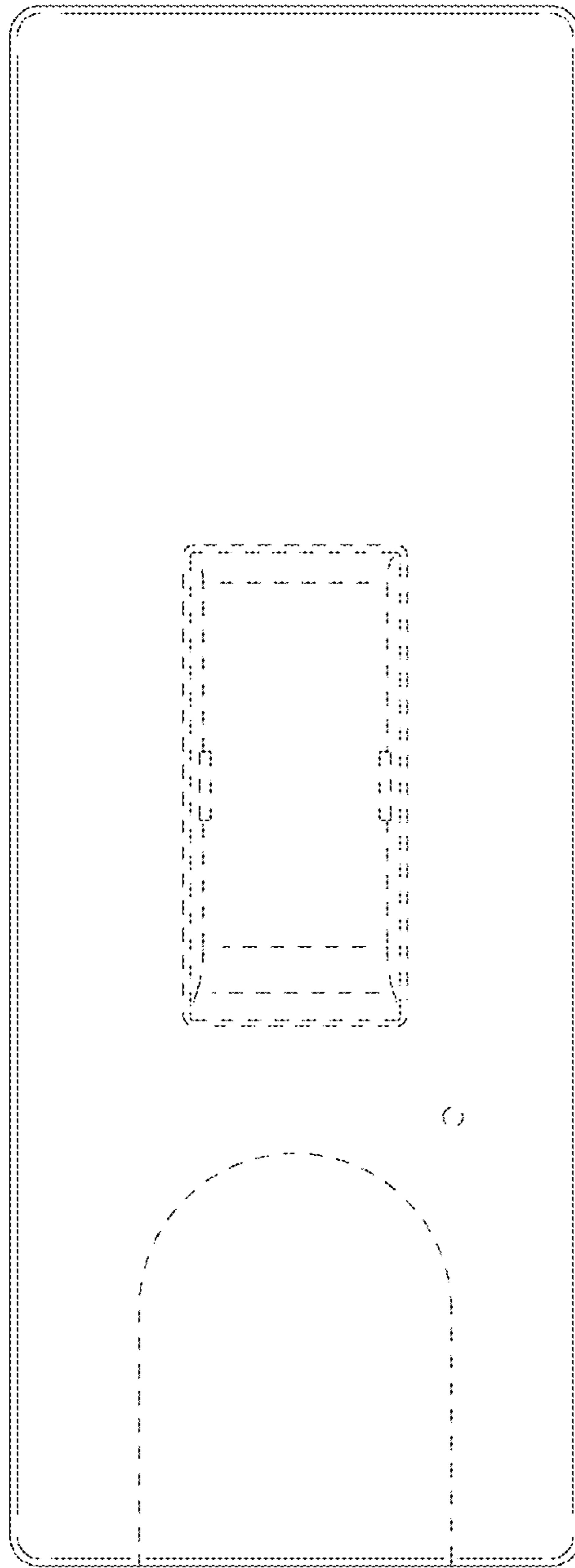


FIG. 5

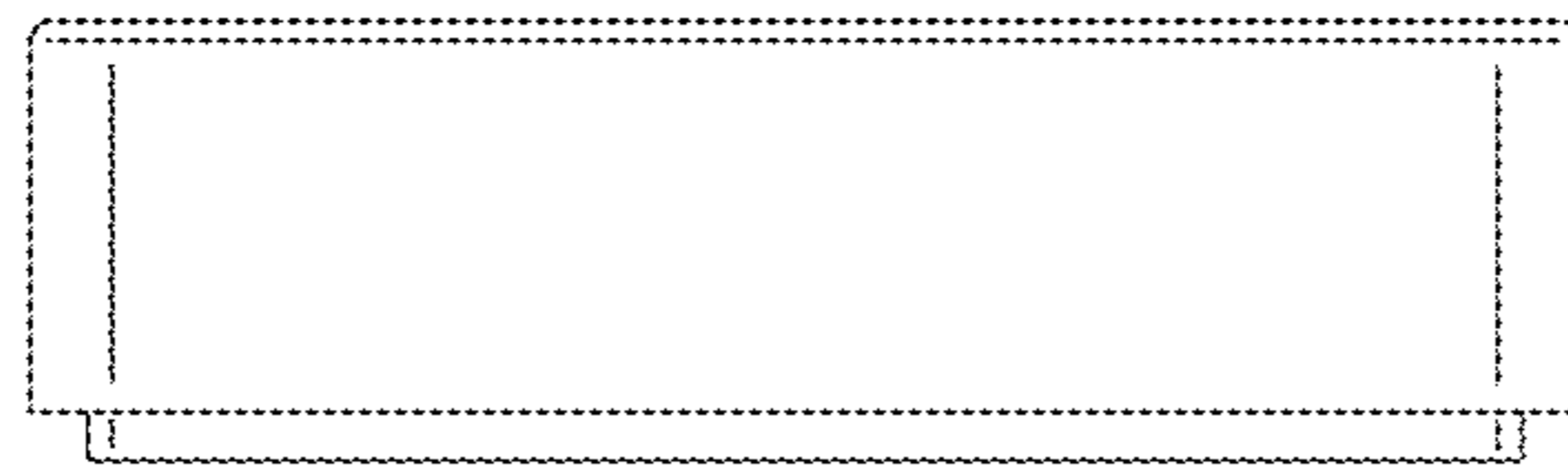


FIG. 6

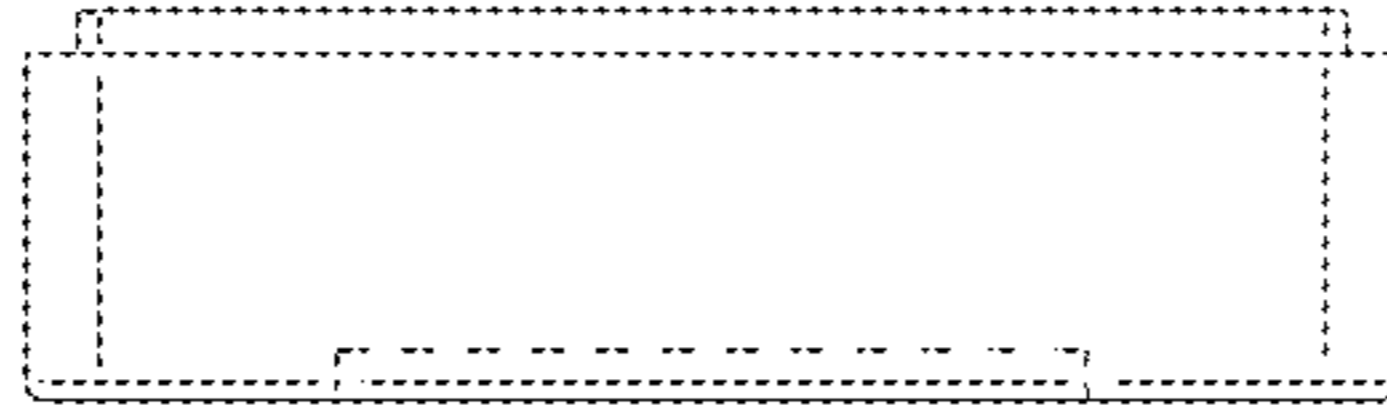


FIG. 7