



US00D793964S

(12) **United States Design Patent** (10) **Patent No.:** **US D793,964 S**
Aromin (45) **Date of Patent:** **** *Aug. 8, 2017**

(54) **IN-LINE GROUND FAULT CIRCUIT INTERRUPTER**

(71) Applicant: **Victor Aromin**, West Warwick, RI (US)

(72) Inventor: **Victor Aromin**, West Warwick, RI (US)

(73) Assignee: **Tower Manufacturing Corp.**, Providence, RI (US)

(*) Notice: This patent is subject to a terminal disclaimer.

(**) Term: **15 Years**

(21) Appl. No.: **29/505,199**

(22) Filed: **Jul. 20, 2015**

(51) **LOC (10) Cl.** **13-03**

(52) **U.S. Cl.**
USPC **D13/160**

(58) **Field of Classification Search**
USPC D13/137.3, 139.6, 110, 112, 118, 123, D13/158-160, 165-173, 177, 178, 184, D13/199

CPC . H01H 47/00; H01R 9/00; H01R 9/02; H01R 13/00; H01R 13/44; H02H 3/00; H02H 3/16; H02H 9/00; H02H 9/08

See application file for complete search history.

(56) **References Cited**

U.S. PATENT DOCUMENTS

D313,971 S * 1/1991 Rosenbaum D13/160
D358,368 S * 5/1995 Howard D13/160
5,684,272 A * 11/1997 Gernhardt H01H 9/0228
174/650
D418,482 S * 1/2000 MacKay D13/160

D451,481 S * 12/2001 MacKay D13/160
D454,546 S * 3/2002 MacKay D13/160
D519,937 S * 5/2006 Laurent D13/160
D521,457 S * 5/2006 Laurent D13/160
D575,228 S * 8/2008 So D13/110
D579,881 S * 11/2008 Aromin D13/160
D723,476 S * 3/2015 Aromin D13/139.6
D742,831 S * 11/2015 Yu D13/139.6
D765,041 S * 8/2016 Yu D13/160
2006/0146455 A1 * 7/2006 Keller H01R 13/44
361/42

* cited by examiner

Primary Examiner — Thomas Johannes
Assistant Examiner — Shawn T Gingrich

(57) **CLAIM**

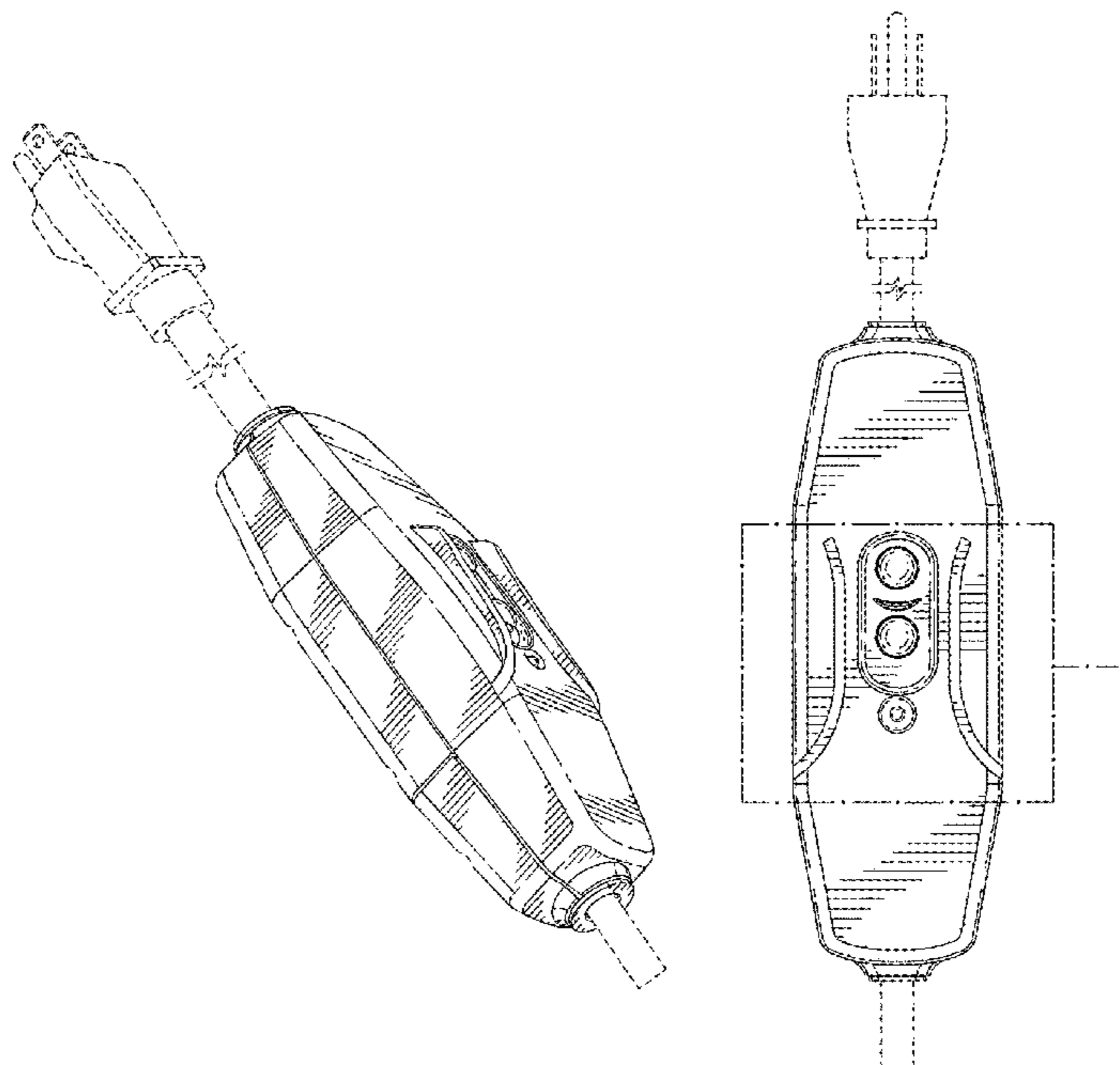
The ornamental design for an “in-line ground fault circuit interrupter”, as shown and described.

DESCRIPTION

FIG. 1 is a top perspective view of the in-line ground fault circuit interrupter employing my new design;
FIG. 2 is a top view of FIG. 1;
FIG. 3 is a bottom view of FIG. 1;
FIG. 4 is a right side view of FIG. 1;
FIG. 5 is a left side view of FIG. 1;
FIG. 6 is a front end view of FIG. 1;
FIG. 7 is a rear end view of FIG. 1; and,
FIG. 8 illustrates a perspective view of the button assembly portion of FIG. 2.

The broken line portion of the figure drawings is included to show portions of the article that forms no part of the claimed design. The Dot Dash broken line portions of the figure drawings is included to show boundaries that form no part of the claimed design.

1 Claim, 7 Drawing Sheets



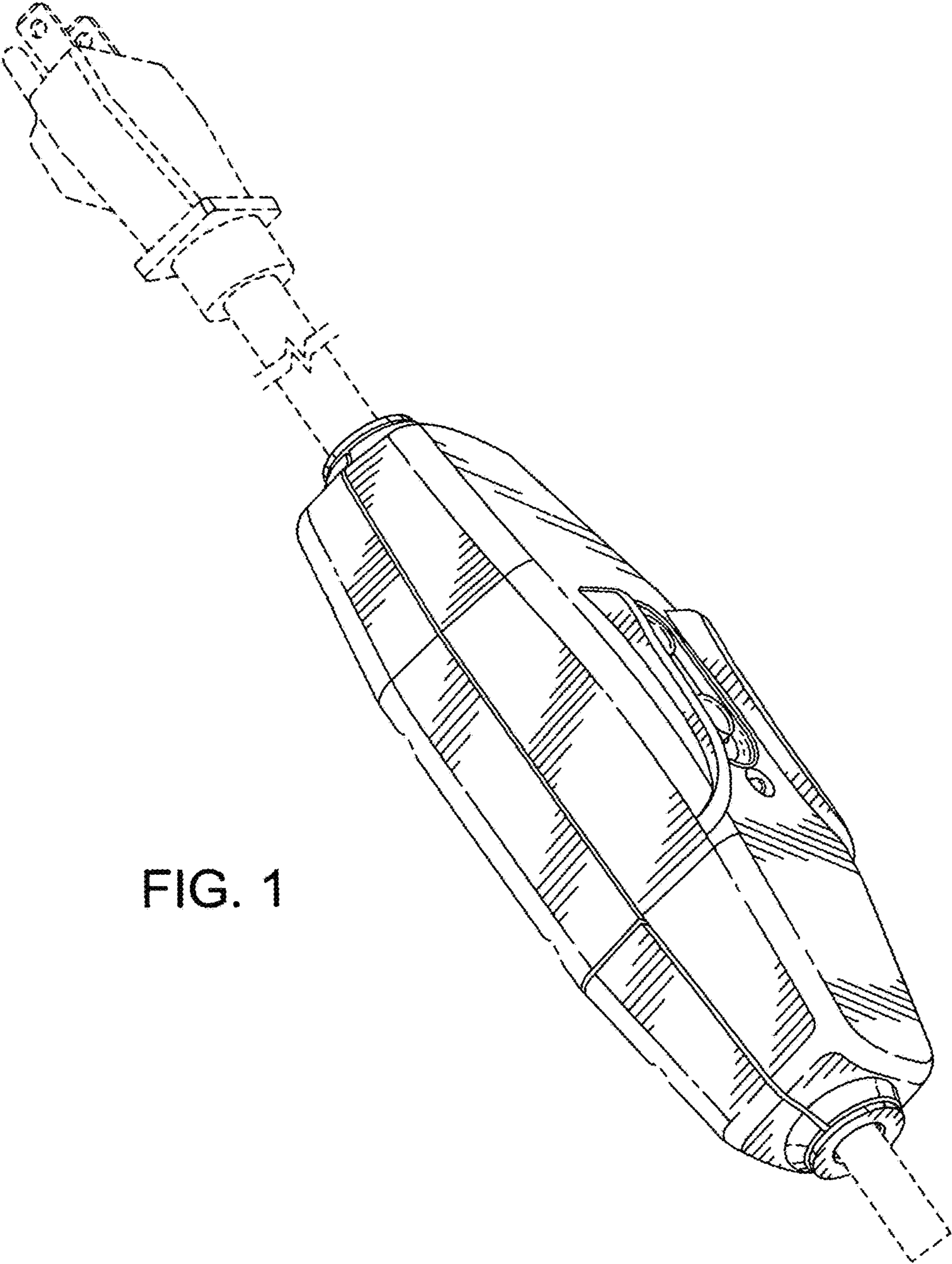


FIG. 1

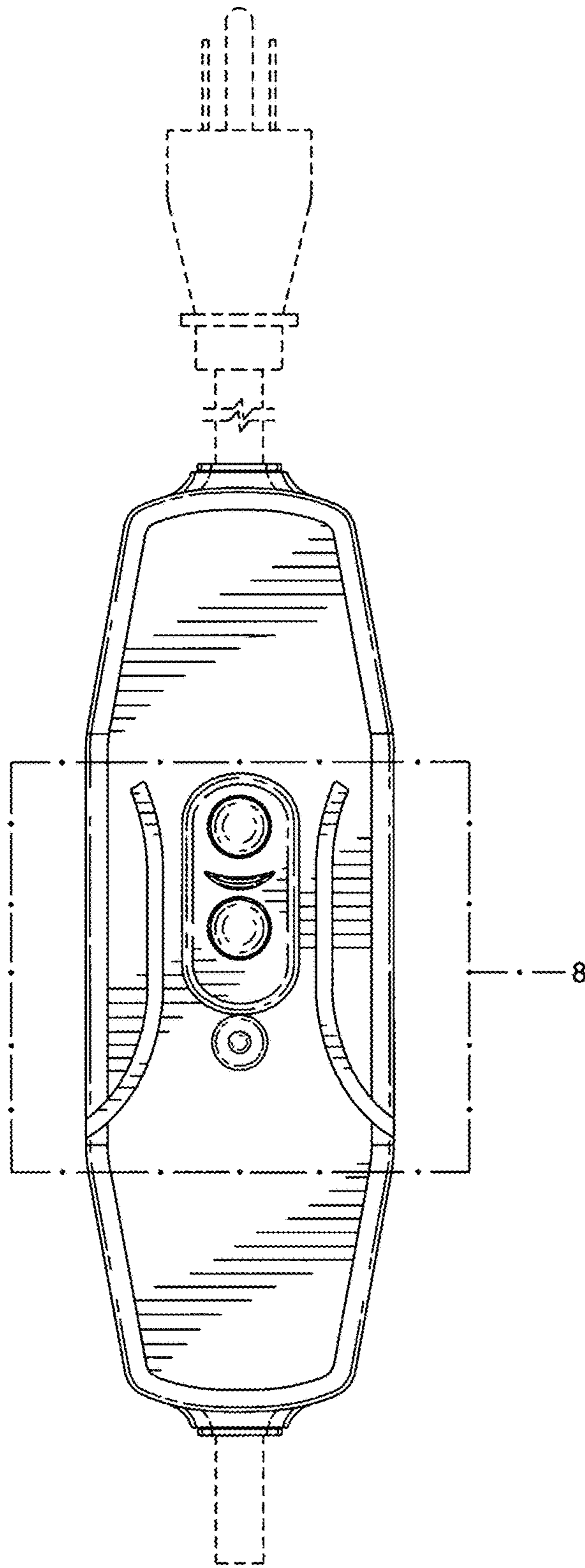


FIG. 2

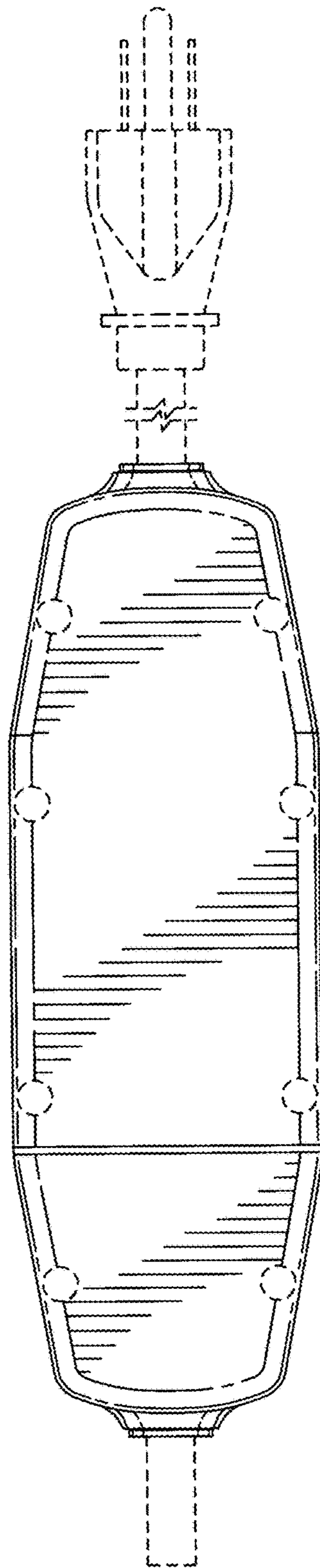


FIG. 3

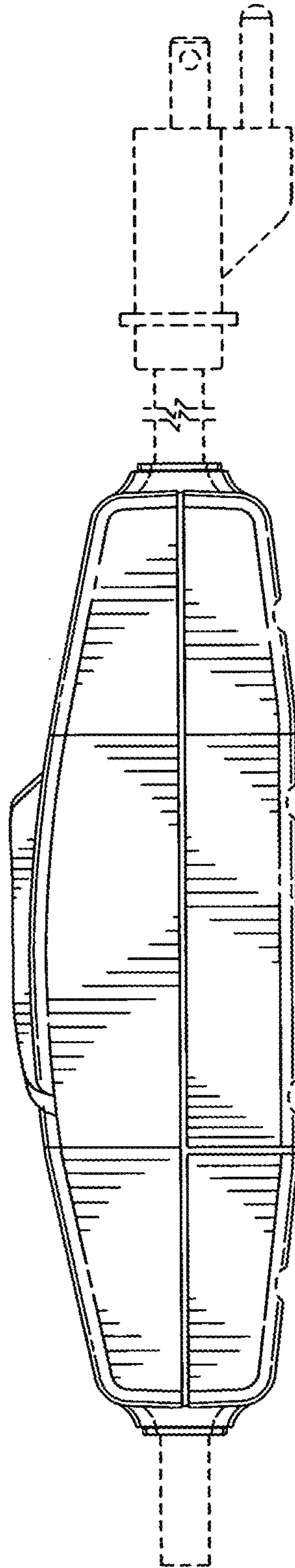


FIG. 4

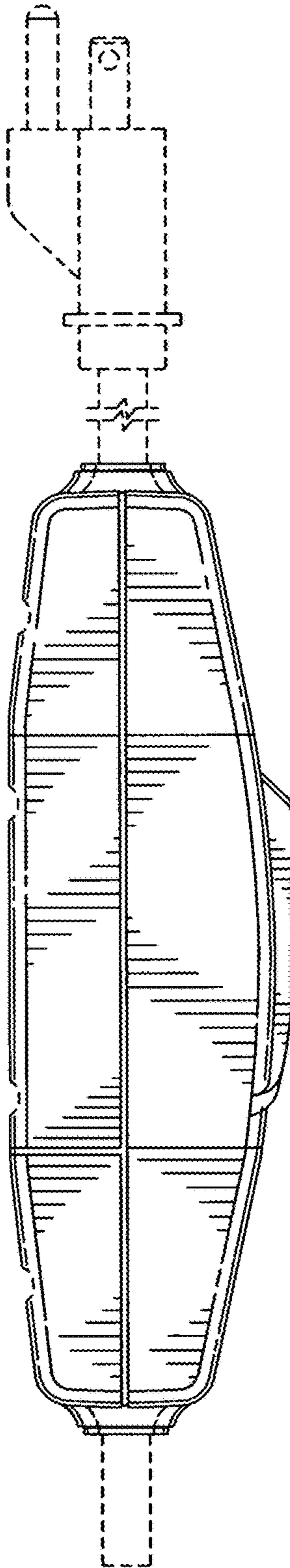


FIG. 5

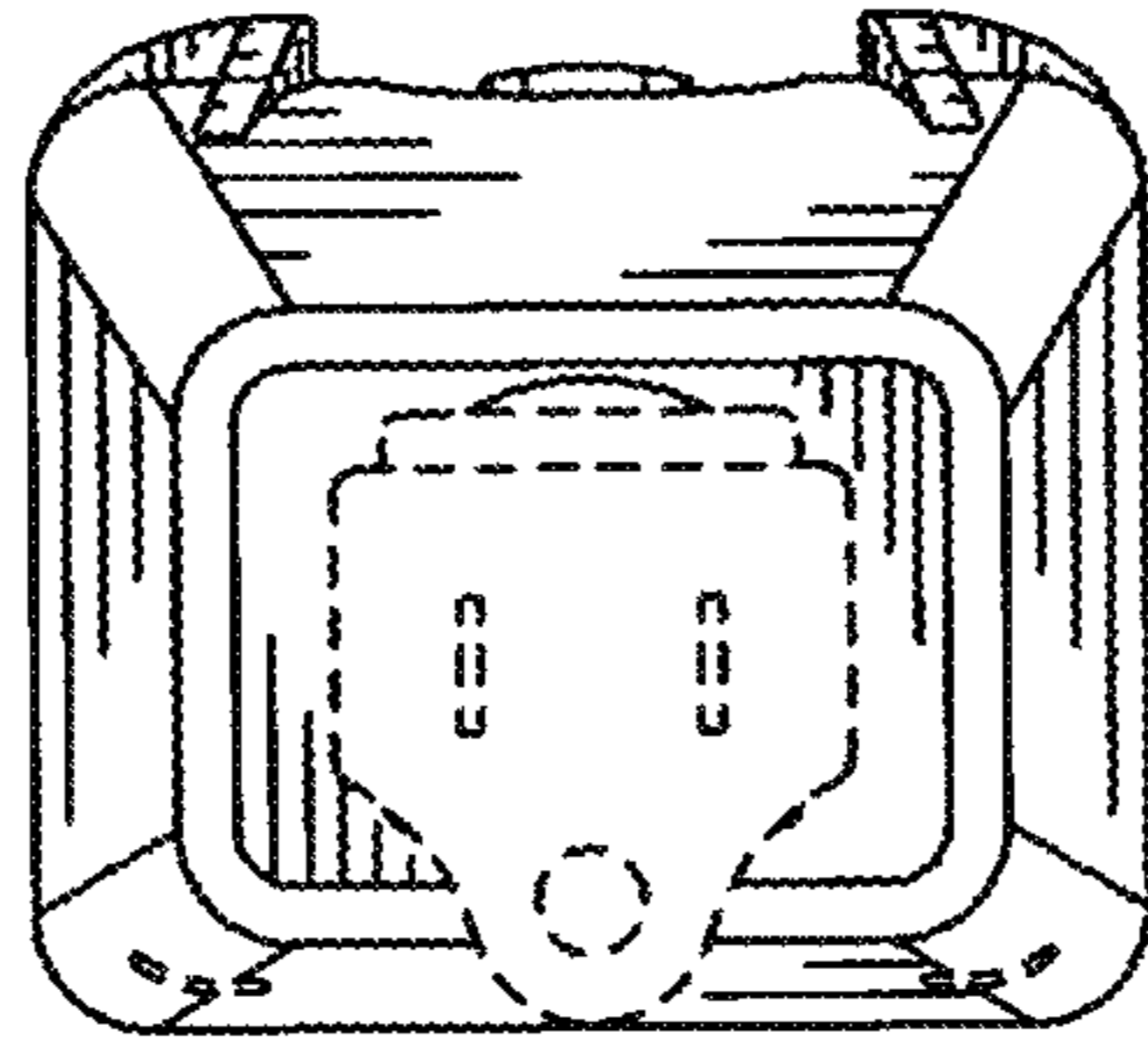


FIG. 6

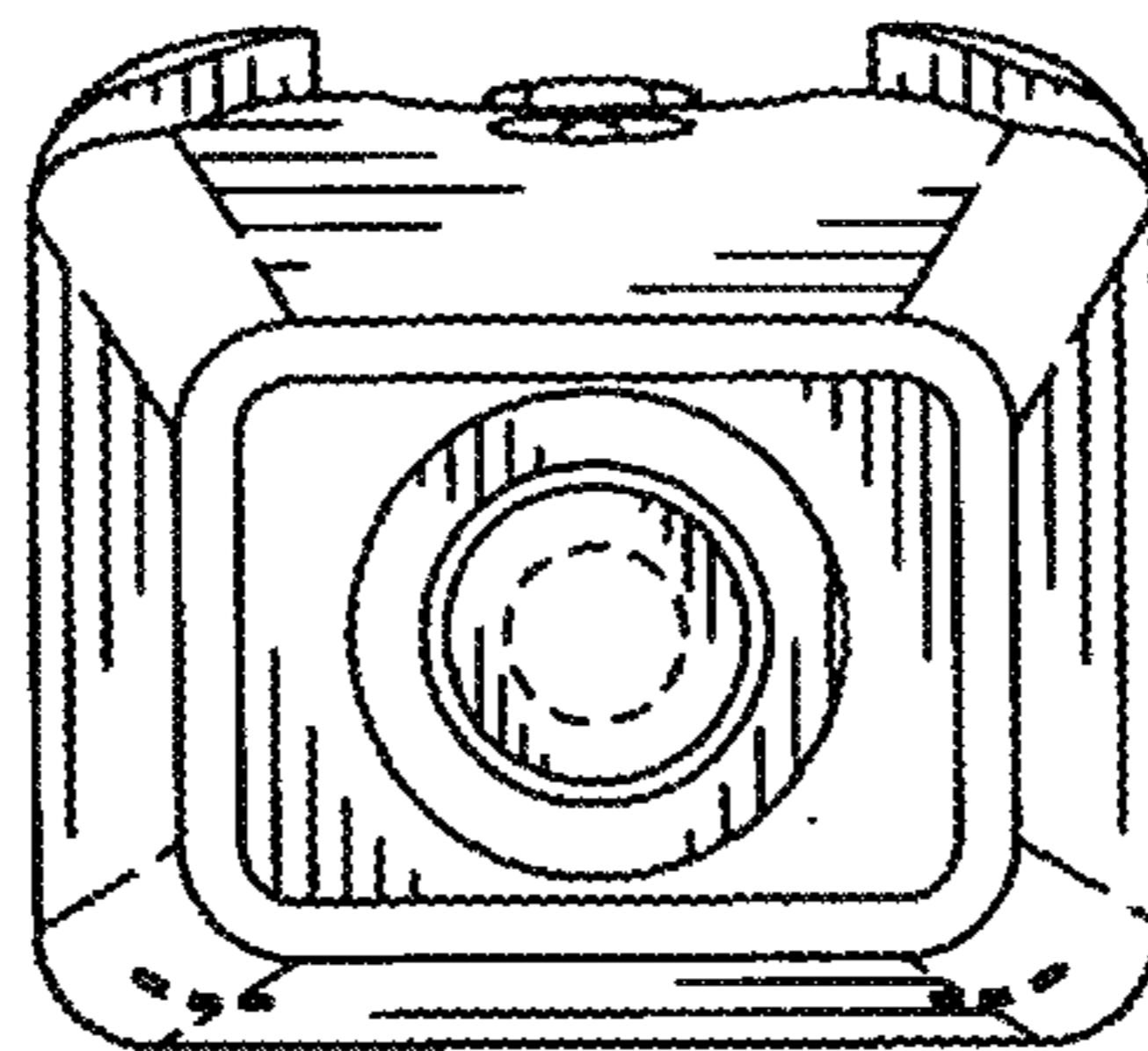


FIG. 7

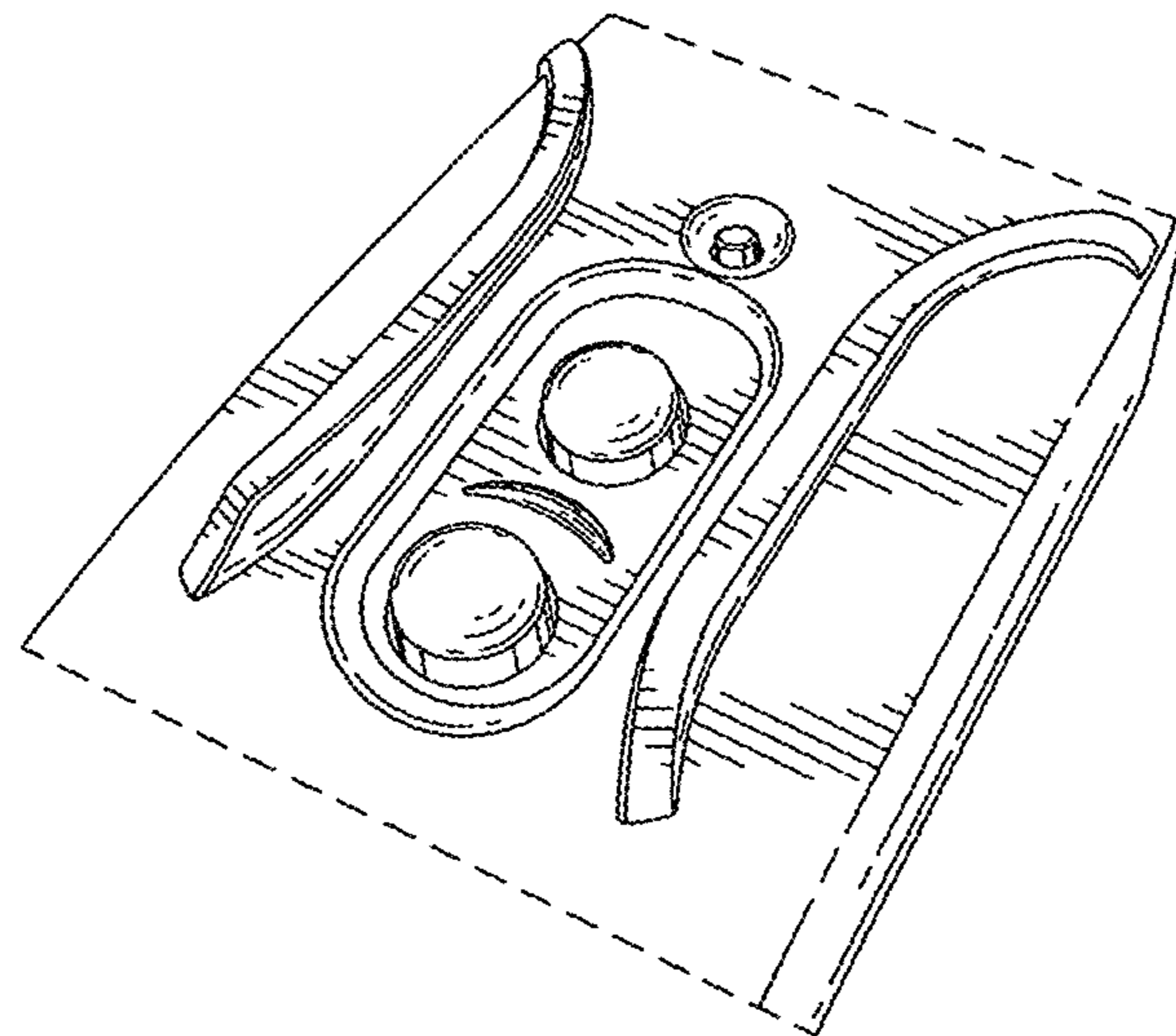


FIG. 8