



US00D793963S

(12) **United States Design Patent** (10) **Patent No.:** **US D793,963 S**
Wegener (45) **Date of Patent:** **** Aug. 8, 2017**

(54) **PROTECTIVE COVER FOR CONDUIT**
(71) Applicant: **Terra Technologies, LLC**, McHenry, IL (US)
(72) Inventor: **Robert J. Wegener**, McHenry, IL (US)
(73) Assignee: **Terra Technologies, LLC**, McHenry, IL (US)
(**) Term: **15 Years**
(21) Appl. No.: **29/529,454**

853,203 A * 5/1907 Luten E01D 4/00
52/87
887,284 A * 5/1908 Stoffer E01F 5/005
405/126
905,290 A * 12/1908 Cummings E01F 5/005
405/126
1,412,616 A * 4/1922 Kammerer E01F 5/005
138/102
1,893,491 A * 1/1933 Billner E01D 4/00
52/334
3,570,251 A * 3/1971 Roberts E02B 11/005
405/46
4,071,986 A * 2/1978 Wickwire E04B 1/32
D25/18

(Continued)

(22) Filed: **Jun. 8, 2015**

Related U.S. Application Data

(63) Continuation of application No. 13/106,386, filed on May 12, 2011, now Pat. No. 9,088,142.

(51) **LOC (10) Cl.** **13-03**

(52) **U.S. Cl.**
USPC **D13/155; D25/18**

(58) **Field of Classification Search**
USPC ... D25/121, 122, 38.1, 124, 1, 18, 119, 164,
D25/102, 35, 36; D23/386, 393, 391;
D20/41; D99/29, 31, 32, 43;
D13/154-158, 177
CPC .. E01F 5/005; A47B 95/043; A47B 2096/203;
E02D 29/05; E02D 29/045; E02D 29/10;
E01D 4/00; E02B 11/005; E02B 13/00;
H02G 3/0431; H02G 3/0418; H02G
3/0437; H02G 3/0608; H02G 3/045;
H02G 3/105

See application file for complete search history.

(56) **References Cited**

U.S. PATENT DOCUMENTS

590,490 A * 9/1897 Thomas E01D 4/00
14/24
701,034 A * 5/1902 Gray E01F 5/005
405/124

Primary Examiner — Marianne Pandozzi

Assistant Examiner — Brett Miller

(74) *Attorney, Agent, or Firm* — Scherrer Patent & Trademark Law, P.C.; Stephen T. Scherrer; Monique A. Morneault

(57) **CLAIM**

The ornamental design for a protective cover for conduit, as shown and described.

DESCRIPTION

FIG. 1 is a front top perspective view of a protective cover for conduit;

FIG. 2 is bottom perspective view of a protective cover for conduit;

FIG. 3 is a top view of a protective cover for conduit;

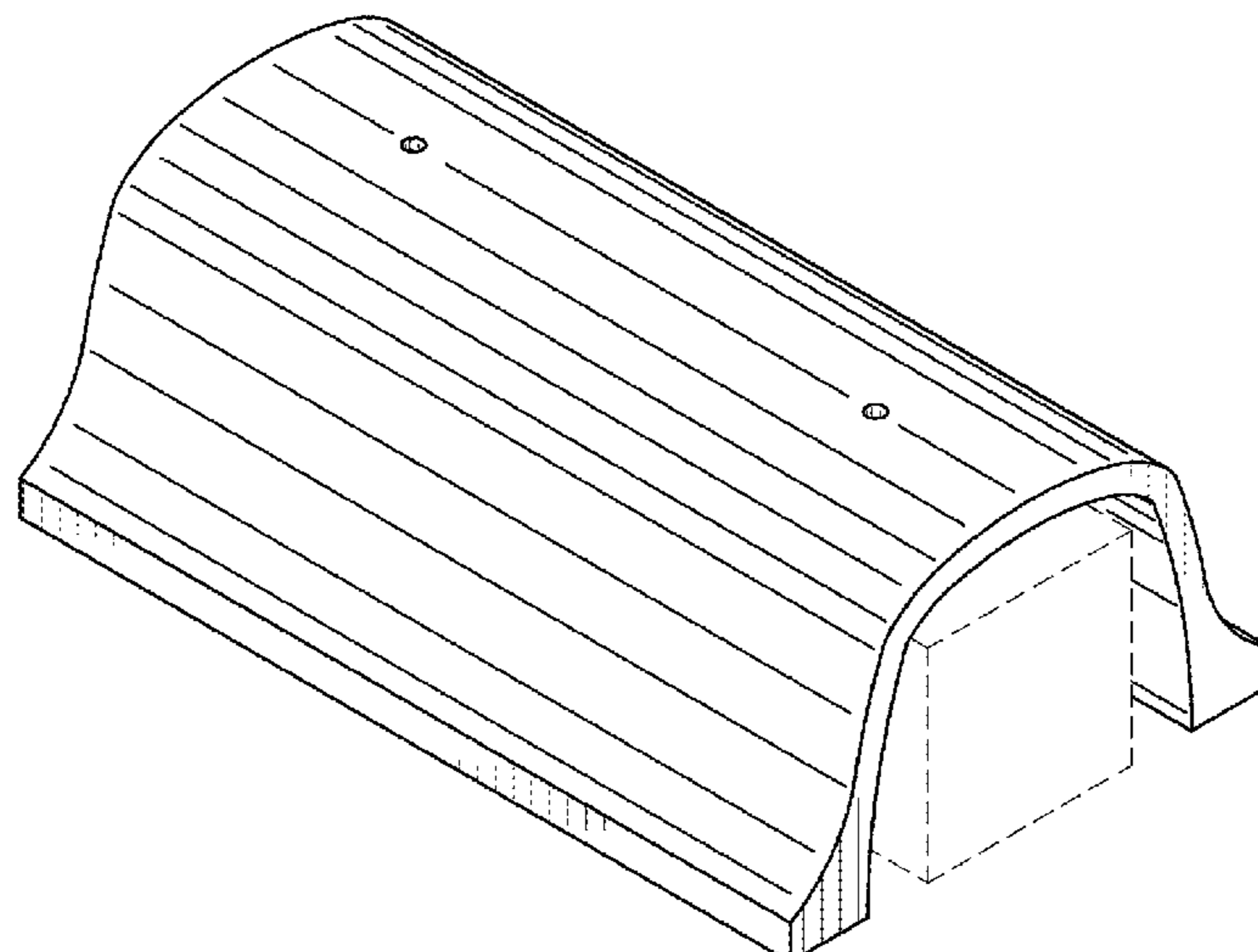
FIG. 4 is a bottom view of a protective cover for conduit;

FIG. 5 is a right side and a left side view of a protective cover for conduit, said right side and left side views being identical; and,

FIG. 6 is a front and rear view of a protective cover for conduit, said front and rear views being identical.

The broken lines depict unclaimed environmental subject matter.

1 Claim, 3 Drawing Sheets



(56)

References Cited

U.S. PATENT DOCUMENTS

4,314,775 A * 2/1982 Johnson F16L 1/036
 138/105
 D334,562 S * 4/1993 Maloney D13/155
 D370,205 S * 5/1996 Collins D13/155
 5,937,131 A * 8/1999 Haataja H02G 3/0608
 385/134
 D415,571 S * 10/1999 Goldwitz D25/1
 6,332,479 B1 * 12/2001 Ko H02G 3/0487
 138/108
 D471,877 S * 3/2003 Dyer D13/155
 D511,215 S * 11/2005 Vaia D25/1
 D645,572 S * 9/2011 Von Handorf D25/102
 D669,035 S * 10/2012 Ruddick D13/155
 8,523,486 B2 * 9/2013 Aston E01F 5/005
 14/24
 D720,702 S * 1/2015 Baldwin D13/155
 9,088,142 B2 * 7/2015 Wegener H02G 9/06
 D751,216 S * 3/2016 Aston D25/1
 D753,605 S * 4/2016 McPherson D13/155
 D765,009 S * 8/2016 Conrad D25/38.1
 D778,841 S * 2/2017 Seever D13/155
 2004/0101369 A1 * 5/2004 DiTullio E02B 11/005
 405/49
 2010/0089634 A1 * 4/2010 Ahn H02G 3/0608
 174/504

* cited by examiner

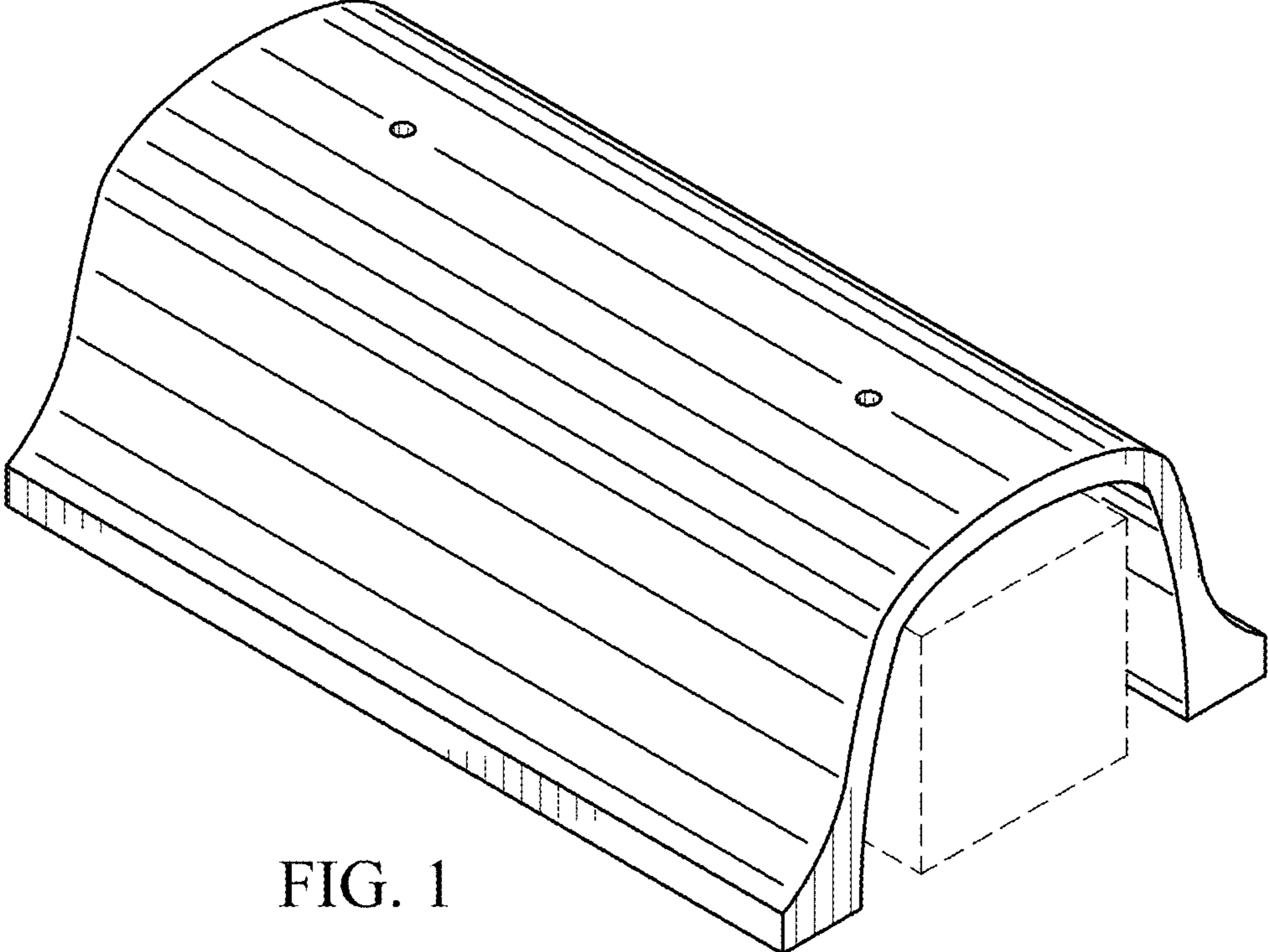


FIG. 1

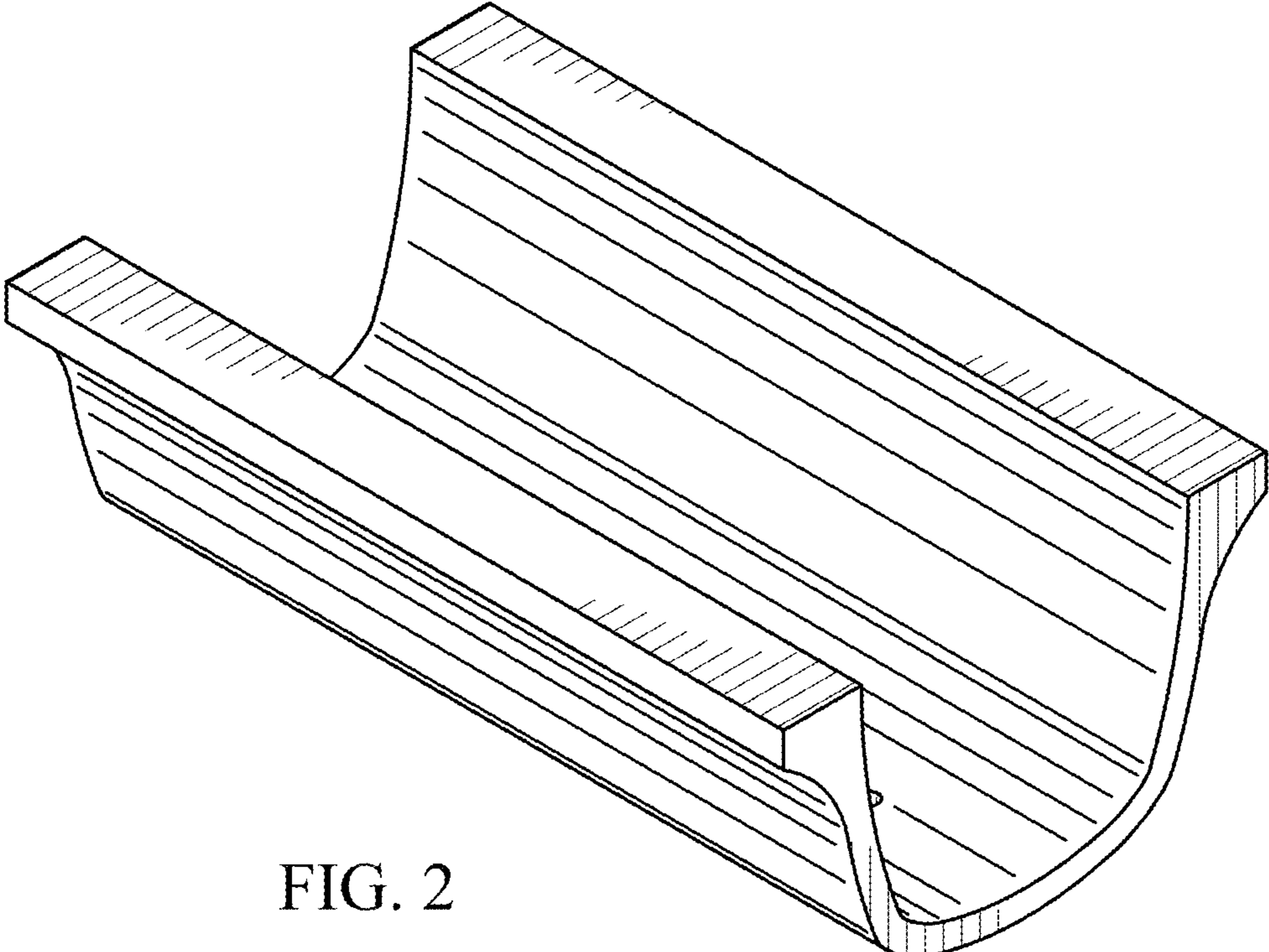


FIG. 2

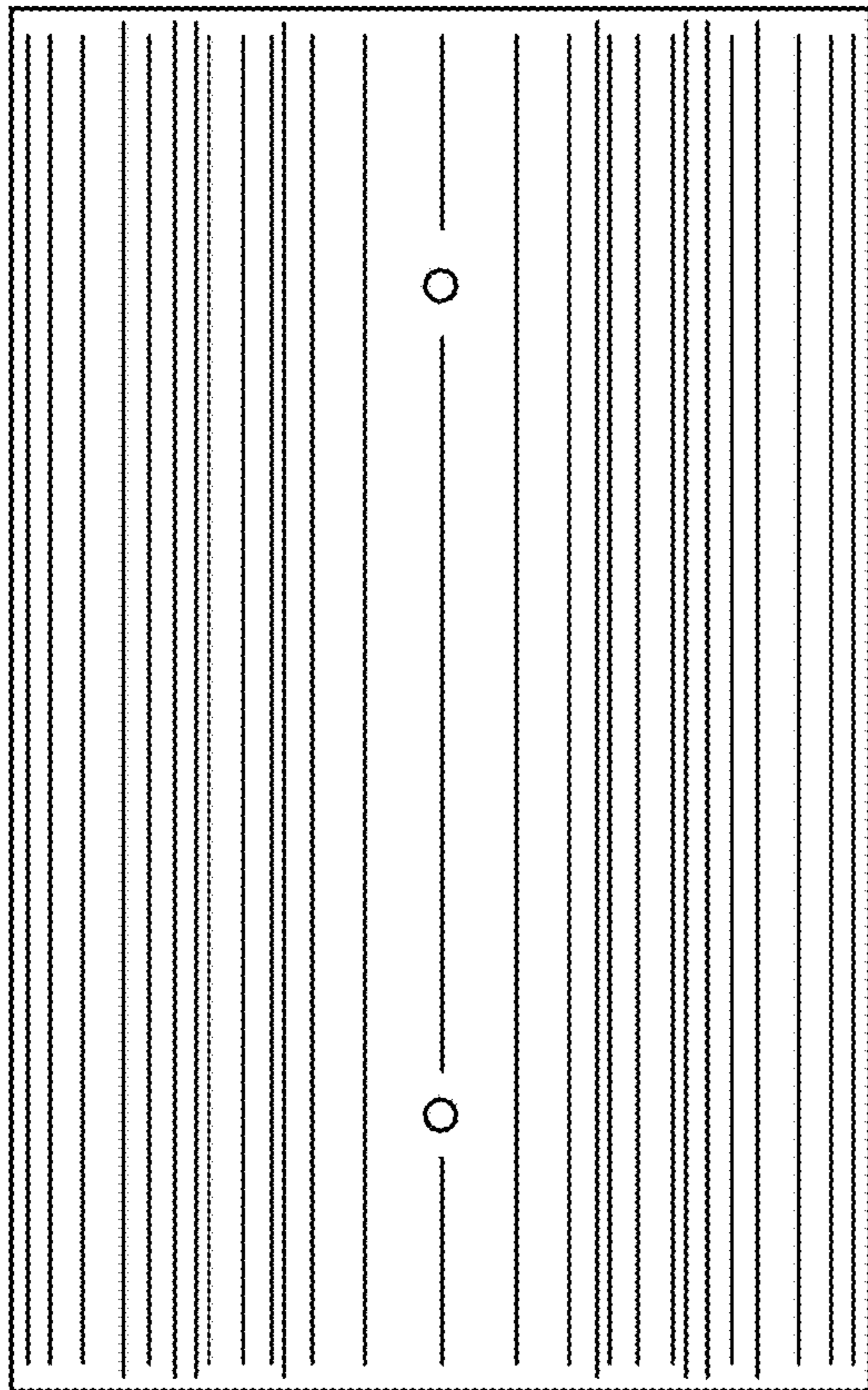


FIG. 3

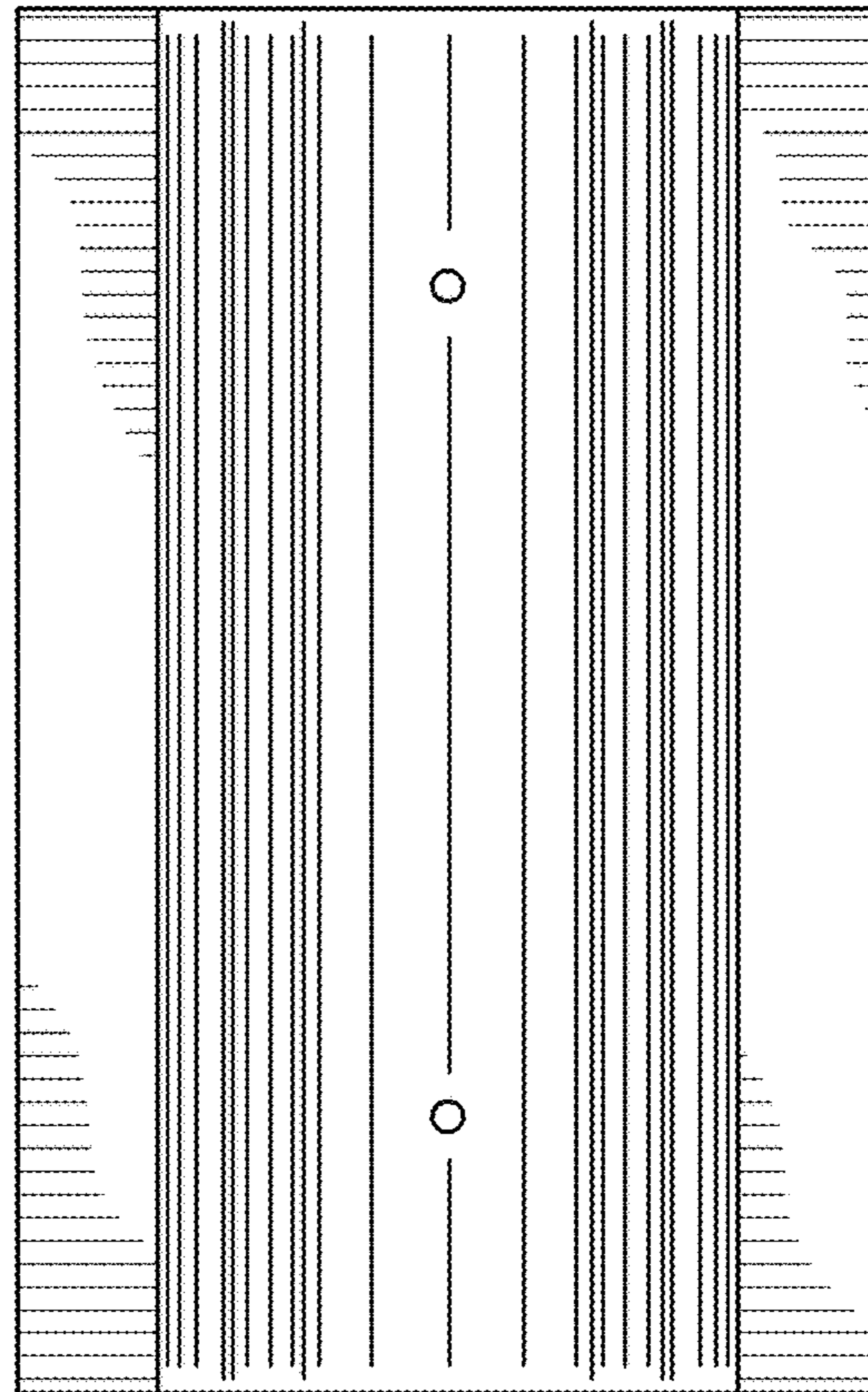


FIG. 4

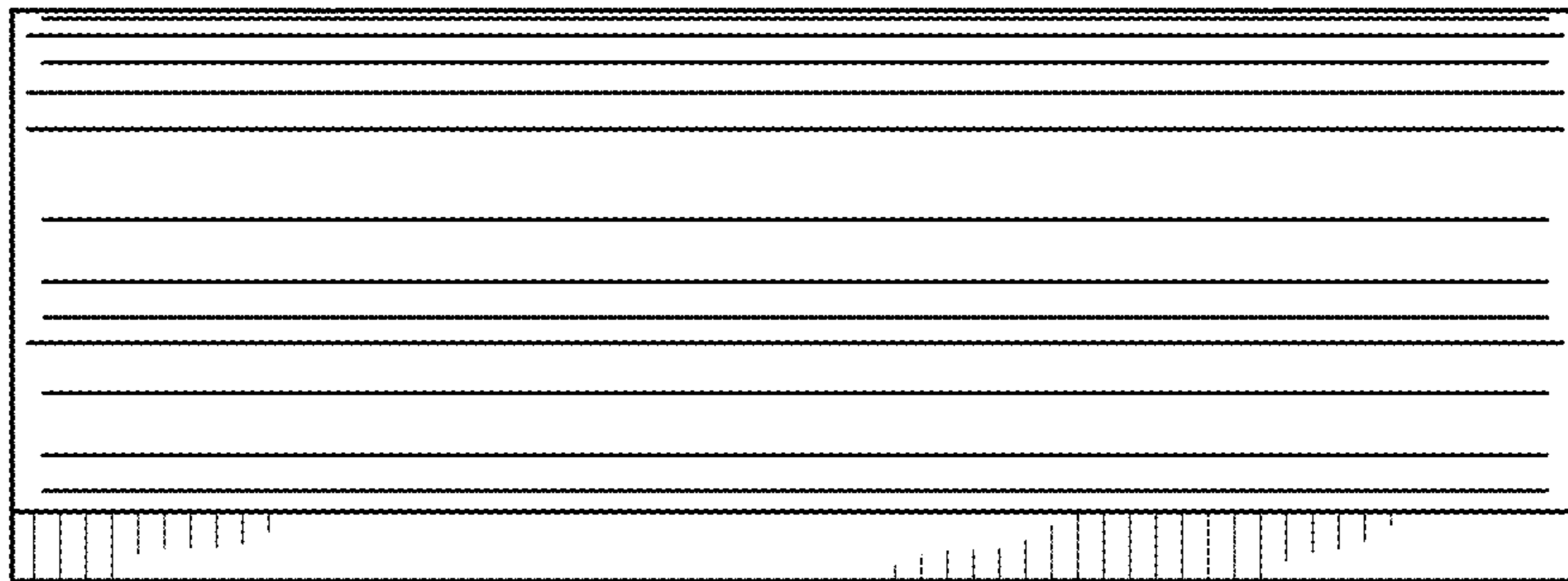


FIG. 5

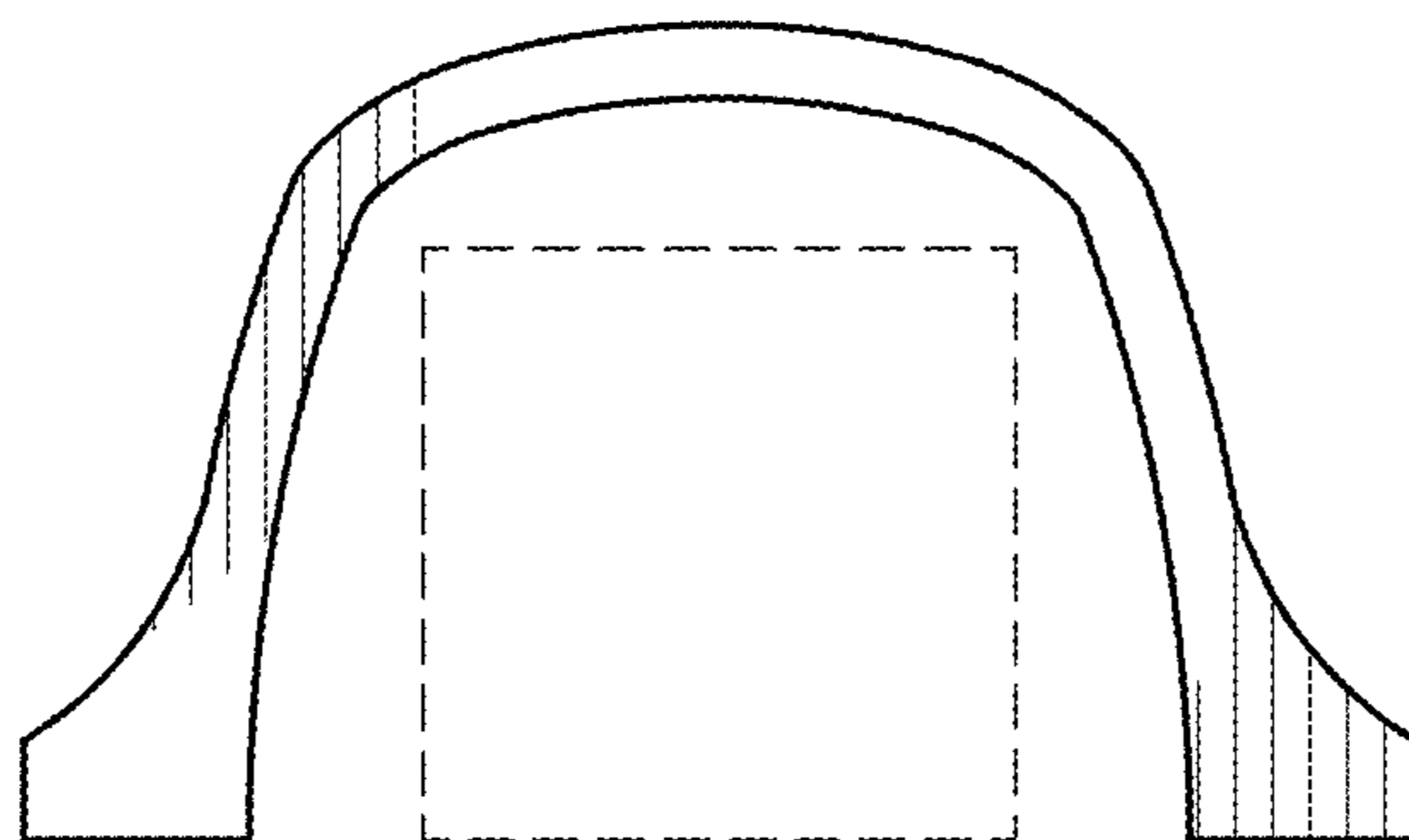


FIG. 6