



US00D793957S

(12) **United States Design Patent** (10) **Patent No.:** **US D793,957 S**
Acosta Pulgar (45) **Date of Patent:** **** Aug. 8, 2017**

(54) **DESKTOP CHARGING STATION**
(71) Applicant: **Ulises Acosta Pulgar**, Miami, FL (US)
(72) Inventor: **Ulises Acosta Pulgar**, Miami, FL (US)
(**) Term: **15 Years**
(21) Appl. No.: **29/535,044**
(22) Filed: **Aug. 3, 2015**
(51) **LOC (10) Cl.** **13-02**
(52) **U.S. Cl.**
USPC **D13/108**
(58) **Field of Classification Search**
USPC D13/102-110, 118, 119, 184, 199;
D14/356, 432, 140; D20/19, 21
CPC G06F 1/1632; G06F 1/203; G06F 1/263;
G06F 2200/1635; H02J 7/0027; H02J
7/00; H02J 7/0003; H02J 7/0011; H02J
7/0013; H02J 7/0054; H02J 7/0055; H02J
7/0057; H02J 2007/0062; Y02E 60/10;
Y02E 60/12; Y02E 60/122; Y02E 60/124;
Y02E 60/50; H01M 2/022; H01M
2/0202; H01M 2/0207; H01M 2/0212;
H01M 2/1061; H01M 2/1022; H01M
2/1055; H01M 2/1066; H01M 2/105;
H01M 2/20; H01M 2/202; H01M 2/204;
H01M 2/206; H01M 10/44; H01M 10/46;
H01M 10/465; H01M 10/482; H01M
2200/30; H01M 2250/30; H01M 2250/40
See application file for complete search history.

(56) **References Cited**
U.S. PATENT DOCUMENTS
D339,115 S * 9/1993 Eilertsen D14/242
D432,125 S * 10/2000 Masuda D14/349

D501,889 S * 2/2005 Harris D20/39
D524,810 S * 7/2006 Noda D14/349
D545,309 S * 6/2007 Noda D14/349
D568,310 S * 5/2008 Franck D14/240
D568,315 S * 5/2008 Yano D14/358
D568,316 S * 5/2008 Yano D14/358
D594,407 S * 6/2009 Chon D13/108
D650,782 S * 12/2011 Hogan D14/240
D661,124 S * 6/2012 Curbbun D20/10
D669,060 S * 10/2012 Huang D14/240
D671,100 S * 11/2012 Huang D14/242
D706,778 S * 6/2014 Kawasaki D14/356
D708,459 S * 7/2014 Heirakuji D6/675
D742,455 S * 11/2015 Denby D20/19
D743,395 S * 11/2015 Chen D14/385
D749,064 S * 2/2016 Bhattacharya D14/240

* cited by examiner

Primary Examiner — Rosemary K Tarcza
Assistant Examiner — Alison Ofstun
(74) *Attorney, Agent, or Firm* — Albert Bordas, P.A.

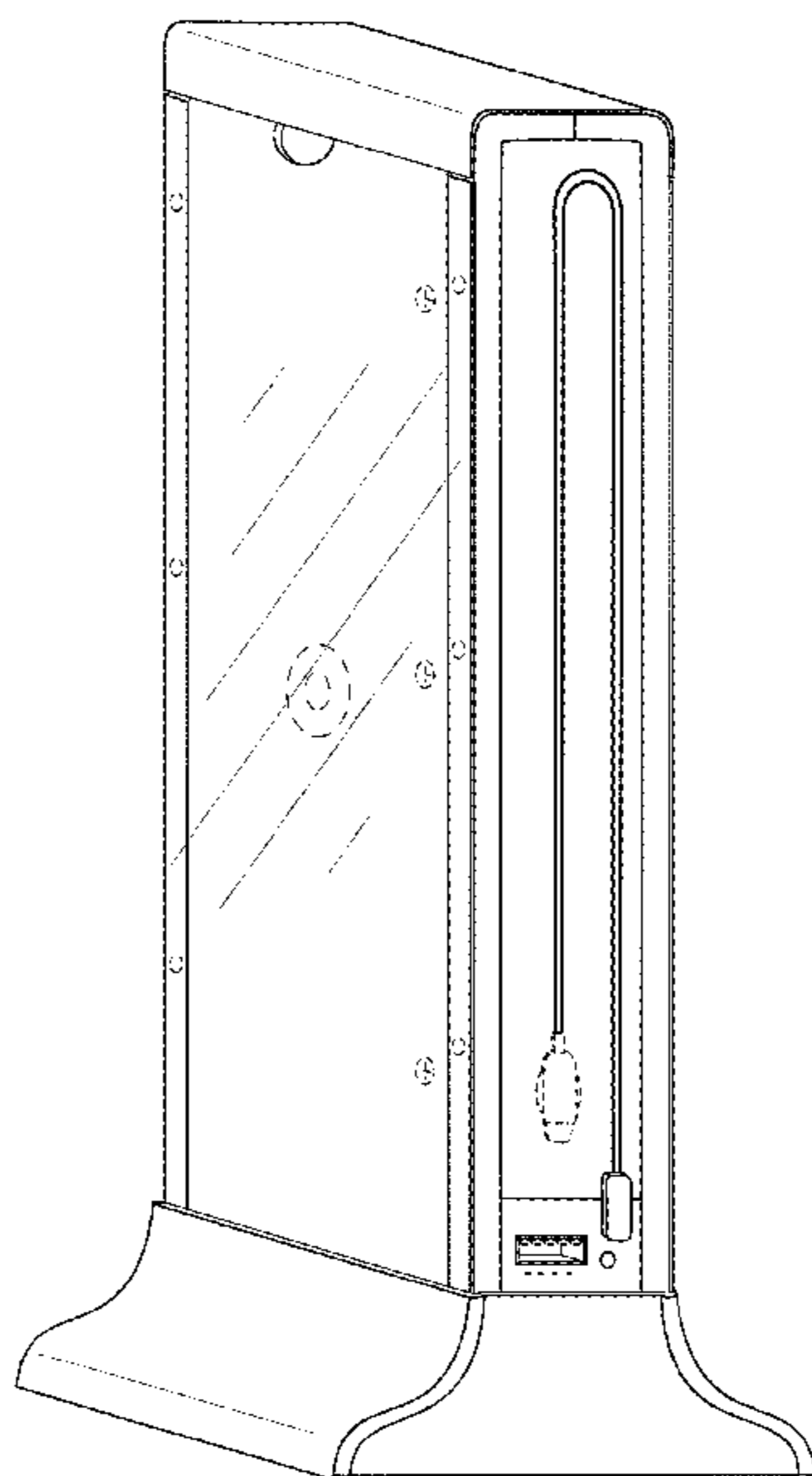
(57) **CLAIM**

The ornamental design for a desktop charging station, as shown and described.

DESCRIPTION

FIG. 1 is a top plan view of a desktop charging station; FIG. 2 is a front elevational view thereof, the rear elevational view being a mirror image thereof; FIG. 3 is a bottom view thereof; FIG. 4 is a left-side elevational view thereof, FIG. 5 is a right-side elevational view thereof; and, FIG. 6 is an isometric view thereof. The broken lines shown in the figures illustrate portions of the article that form no part of the claimed design. The claimed desktop charging station is used to charge electronic devices.

1 Claim, 3 Drawing Sheets



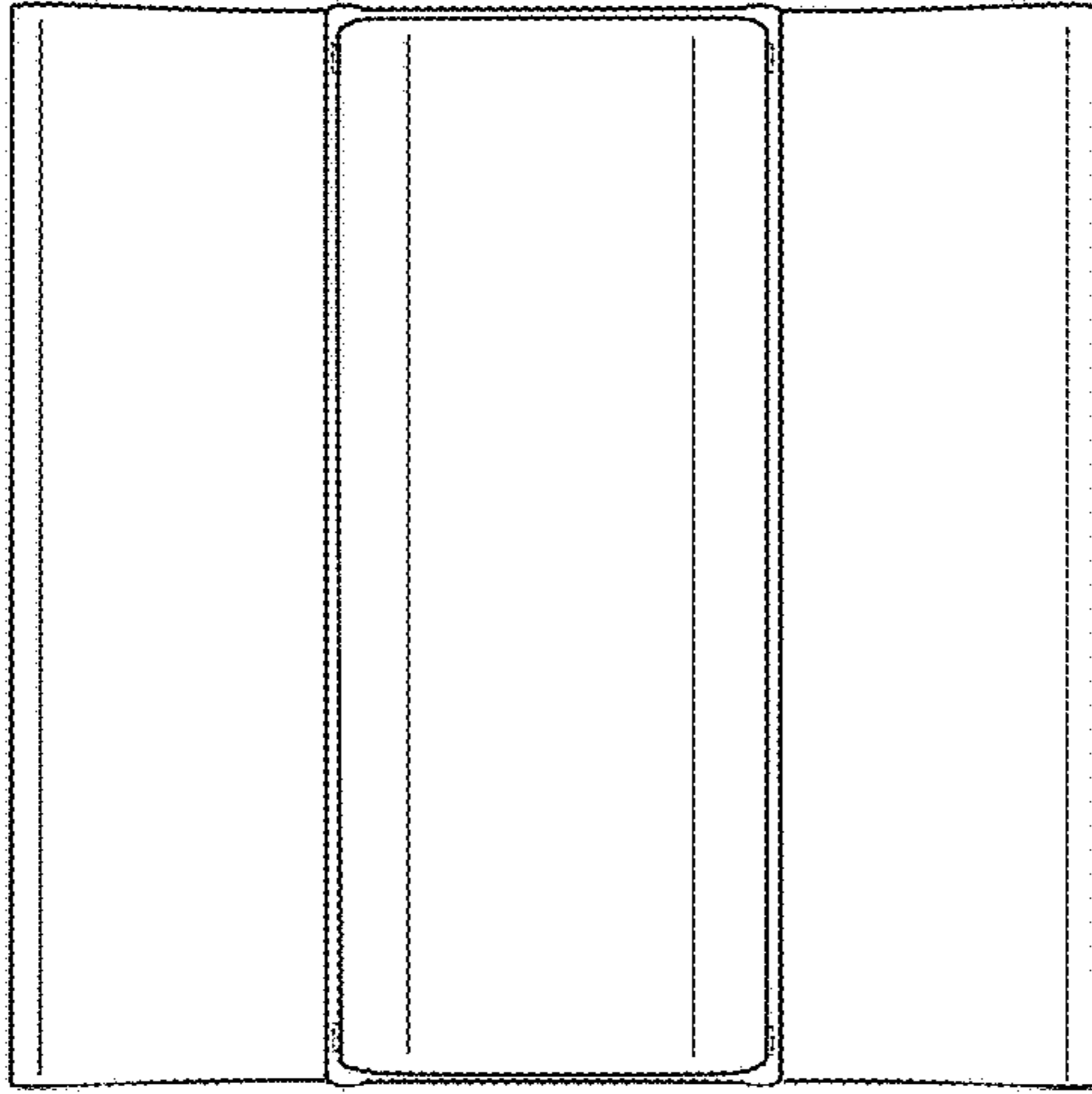


Fig. 1

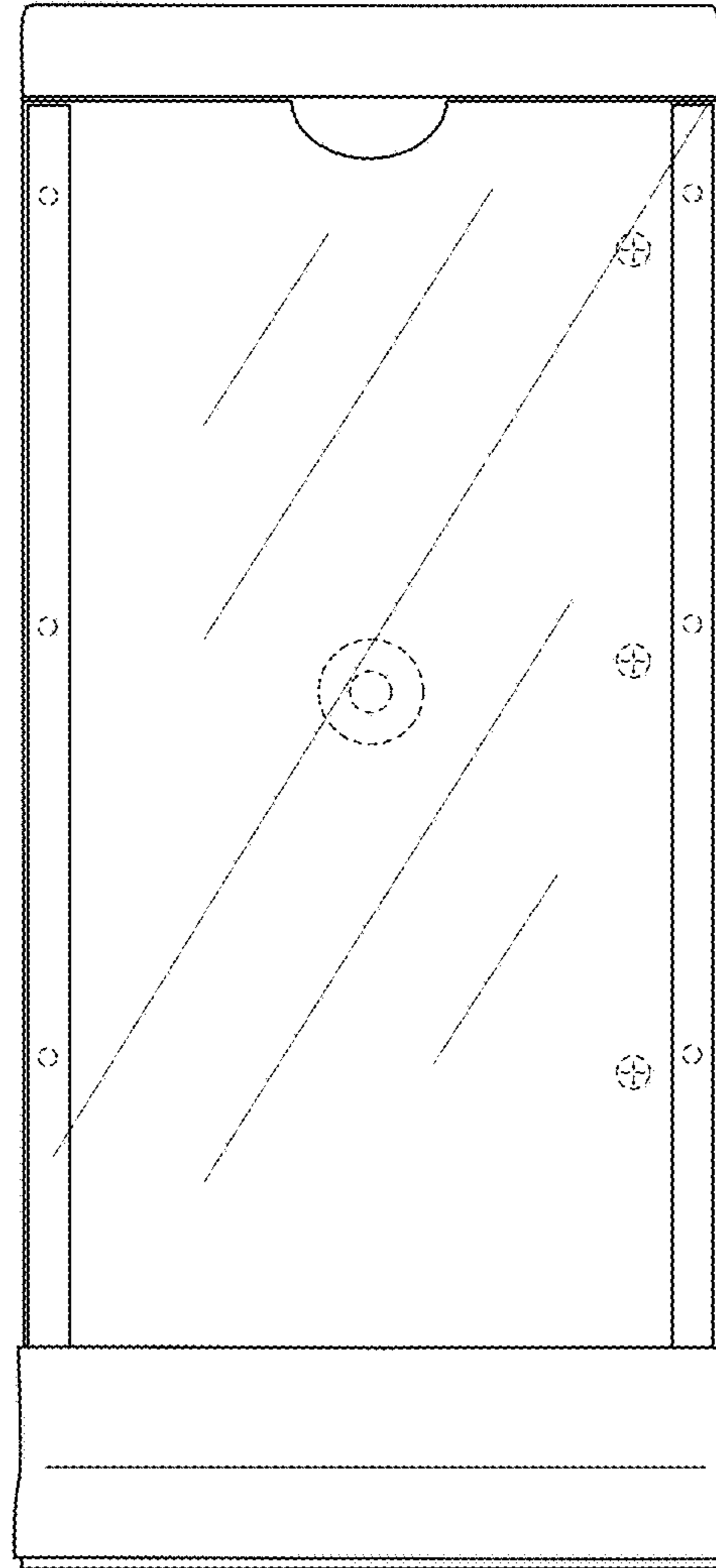


Fig. 2

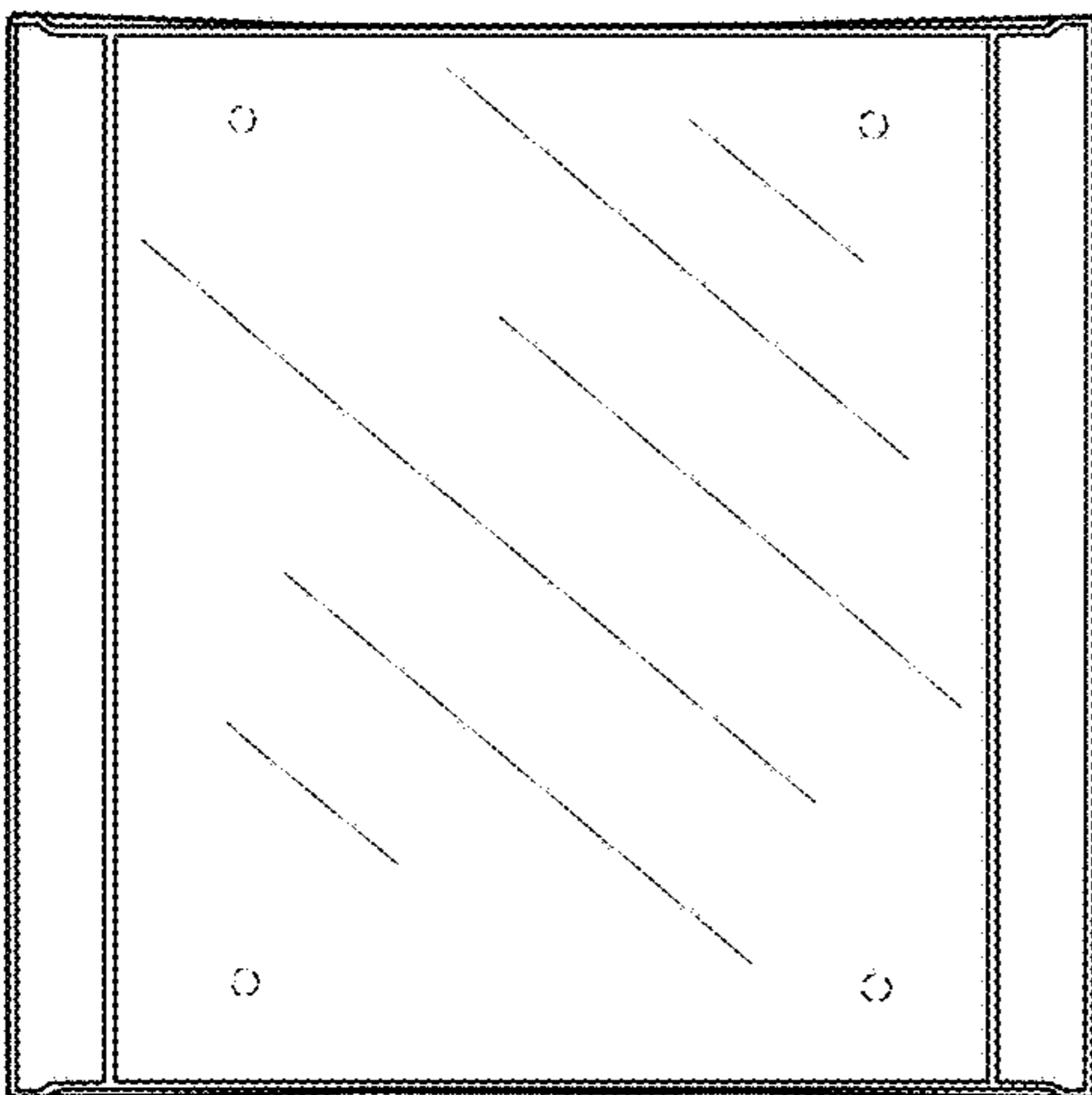


Fig. 3

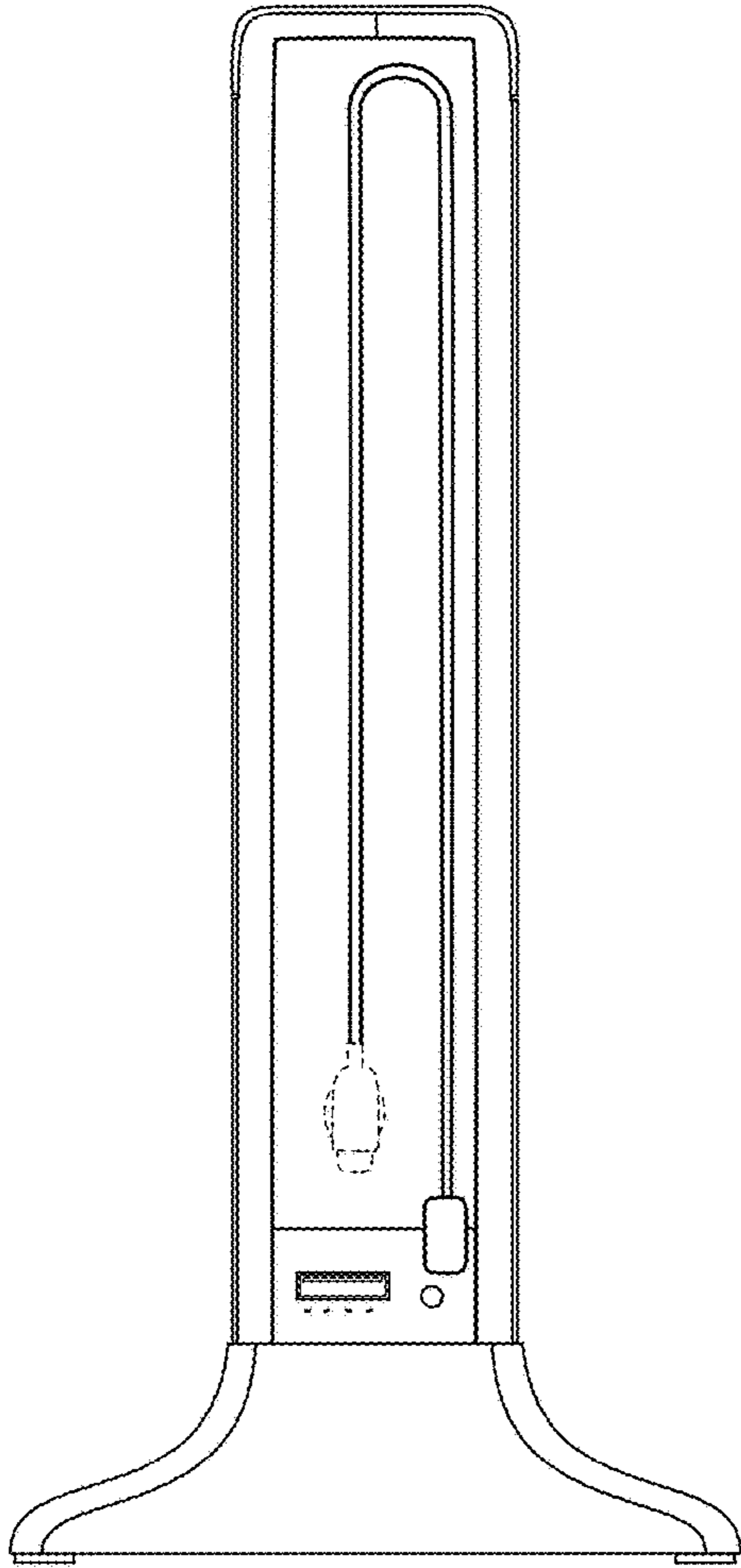


Fig. 4

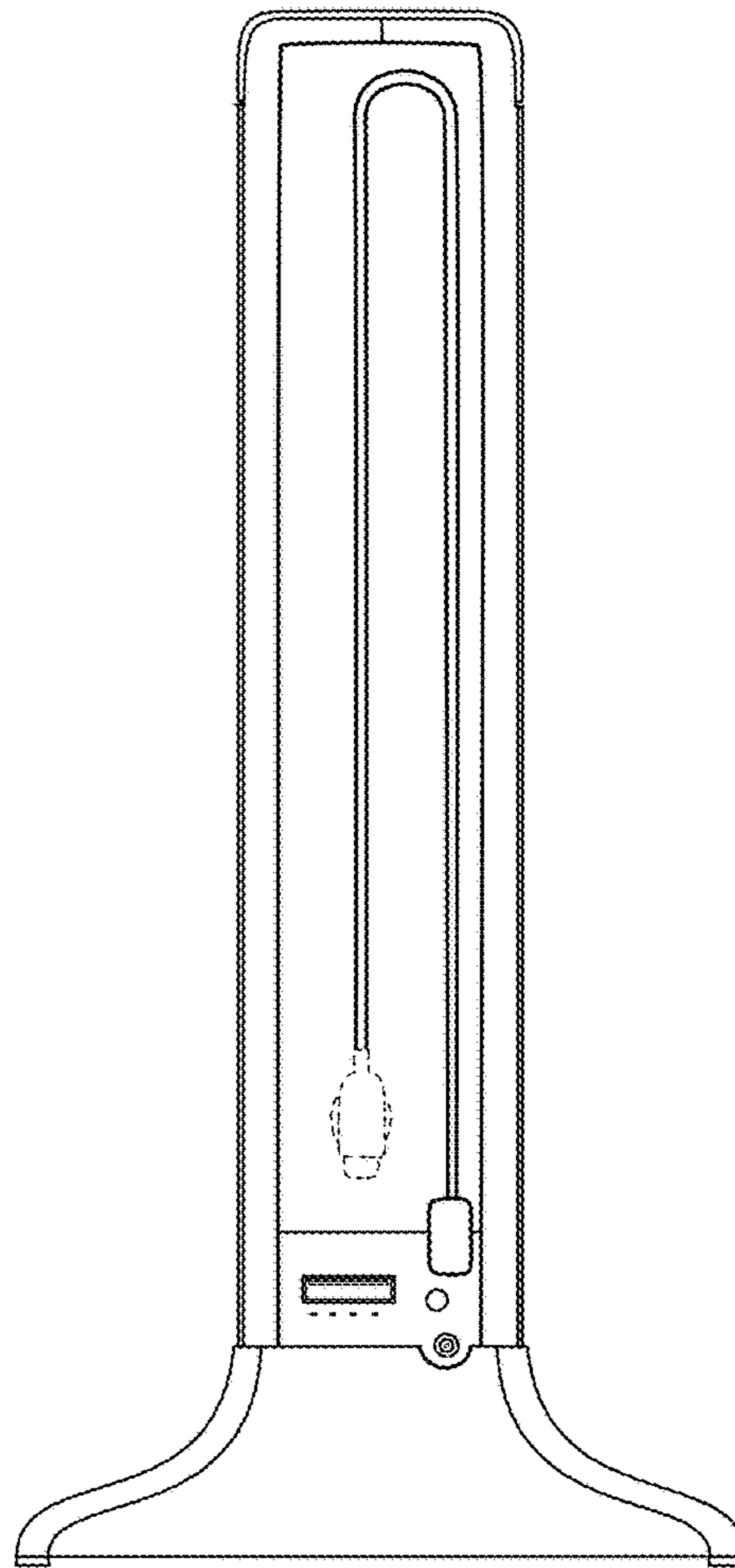


Fig. 5

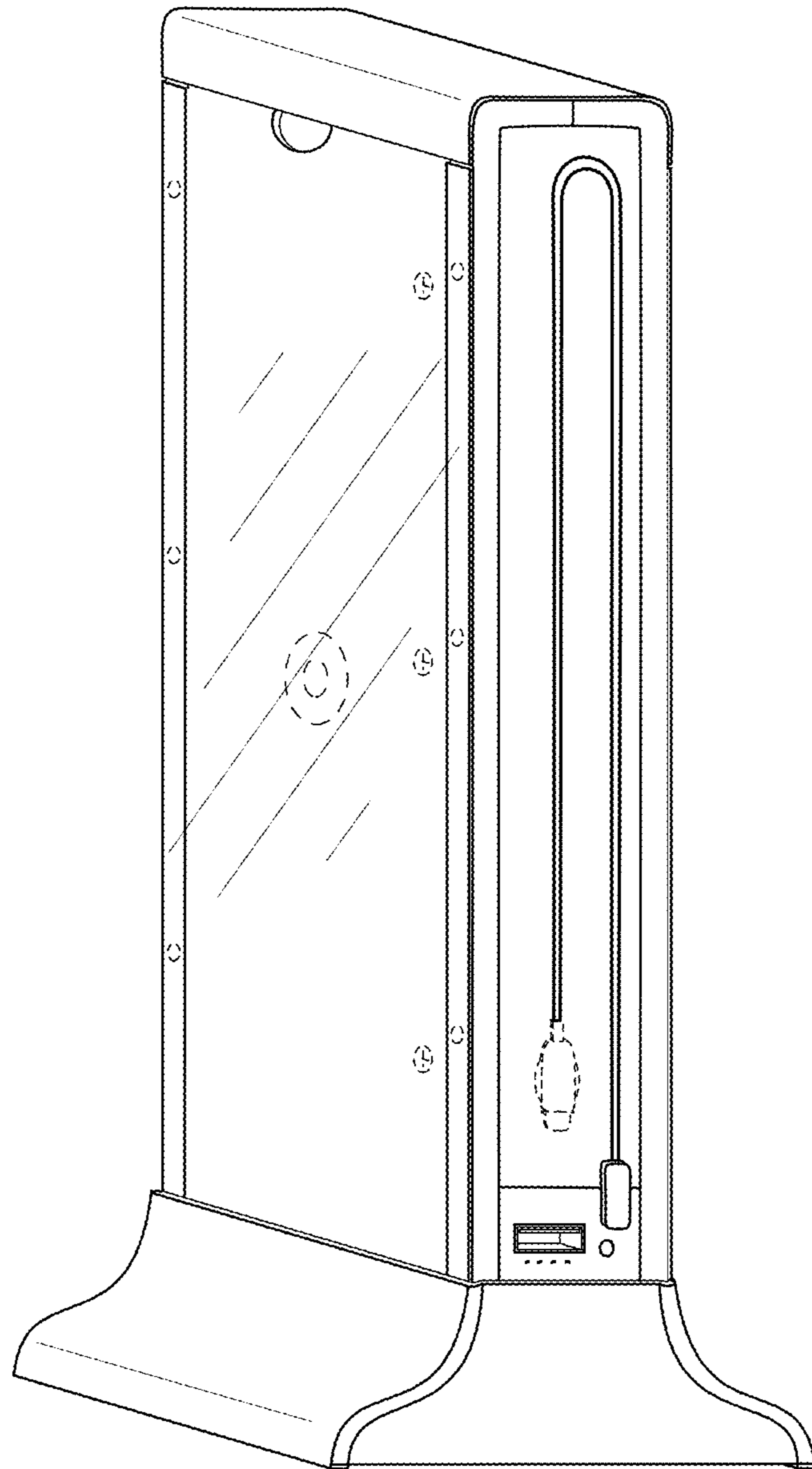


Fig. 6