



US00D793956S

(12) **United States Design Patent**
Huang et al.

(10) **Patent No.:** **US D793,956 S**
(45) **Date of Patent:** **** Aug. 8, 2017**

(54) **DOCK FOR PORTABLE ELECTRONIC DEVICE**

(71) Applicant: **HTC Corporation**, Taoyuan (TW)

(72) Inventors: **Tzu-Kang Huang**, Taoyuan (TW);
Guei-Min Liu, Taoyuan (TW);
Jen-Yang Chang, Taoyuan (TW)

(73) Assignee: **HTC CORPORATION**, Taoyuan (TW)

(**) Term: **15 Years**

(21) Appl. No.: **29/534,223**

(22) Filed: **Jul. 27, 2015**

(51) **LOC (10) Cl.** **13-02**

(52) **U.S. Cl.**
USPC **D13/108**

(58) **Field of Classification Search**
USPC D13/107–110, 118–119, 184; D14/251,
D14/253, 432, 434
CPC Y02E 60/12; Y02T 90/14; Y02T 90/122;
Y02T 90/128; Y02T 90/163; H02J 7/025;
H02J 7/0042; H02J 7/0044; H02J 7/0045;
H02J 7/0003; H01F 38/14; H01R
13/6675; H01M 2/1022; H01M 2/1055;
H01M 10/44; H01M 10/46; H01M
10/425; B60L 11/182
See application file for complete search history.

(56) **References Cited**

U.S. PATENT DOCUMENTS

D301,724 S	*	6/1989	Tohl	D21/428
D330,233 S	*	10/1992	Atchison	D21/615
D339,895 S	*	10/1993	Thorniley	D1/106
D354,151 S	*	1/1995	Stone	D21/615
D362,104 S	*	9/1995	Thorniley	D1/110
D369,631 S	*	5/1996	Stewart	D21/615

D540,893 S	*	4/2007	Rutherford	D21/615
D546,789 S	*	7/2007	Lee	D14/126
D599,757 S	*	9/2009	Chen	D14/126
D637,662 S	*	5/2011	Henderson	D21/615
D657,761 S	*	4/2012	Yang	D14/126
D729,222 S	*	5/2015	Grziwok	D14/253
D774,119 S	*	12/2016	Lin	D16/203

OTHER PUBLICATIONS

Byford, "HTC's adorable Re dinosaur is my favorite thing at MWC", <http://www.theverge.com/2015/3/2/8131747/htc-re-camera-dinosaur-mwc-2015>, Mar. 2, 2015, pp. 1-3.

(Continued)

Primary Examiner — Rosemary K Tarcza
Assistant Examiner — Nathaniel D Buckner

(74) *Attorney, Agent, or Firm* — Birch, Stewart, Kolasch & Birch, LLP

(57) **CLAIM**

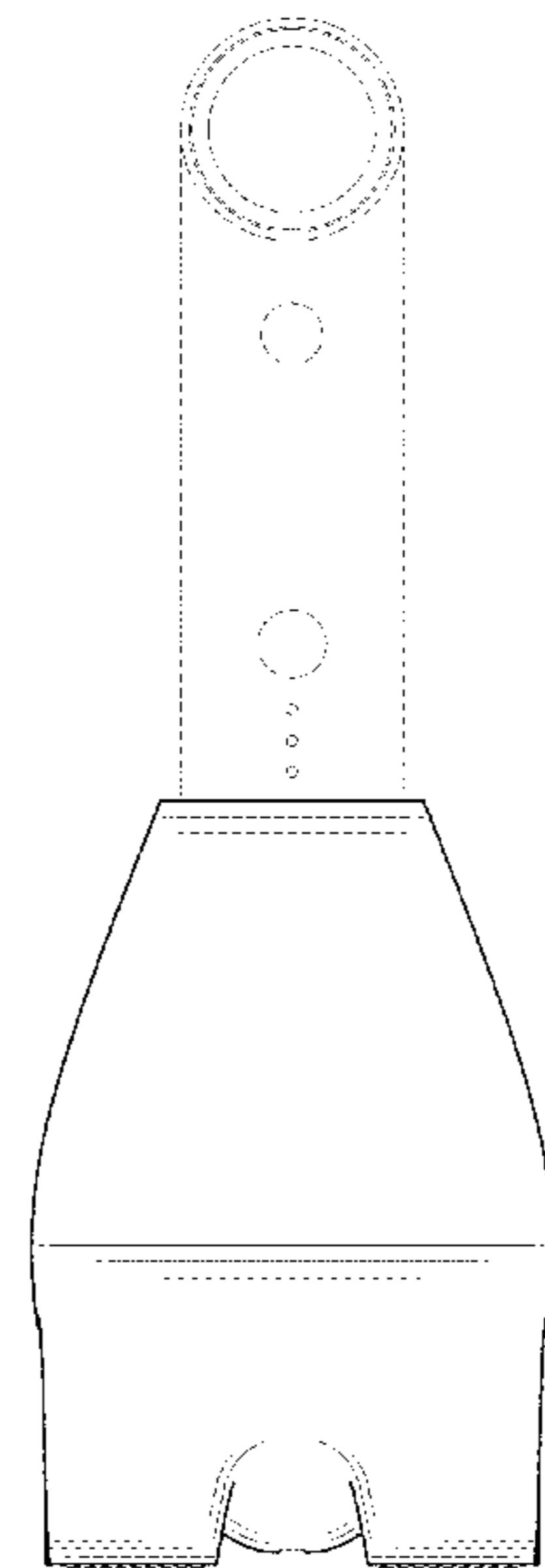
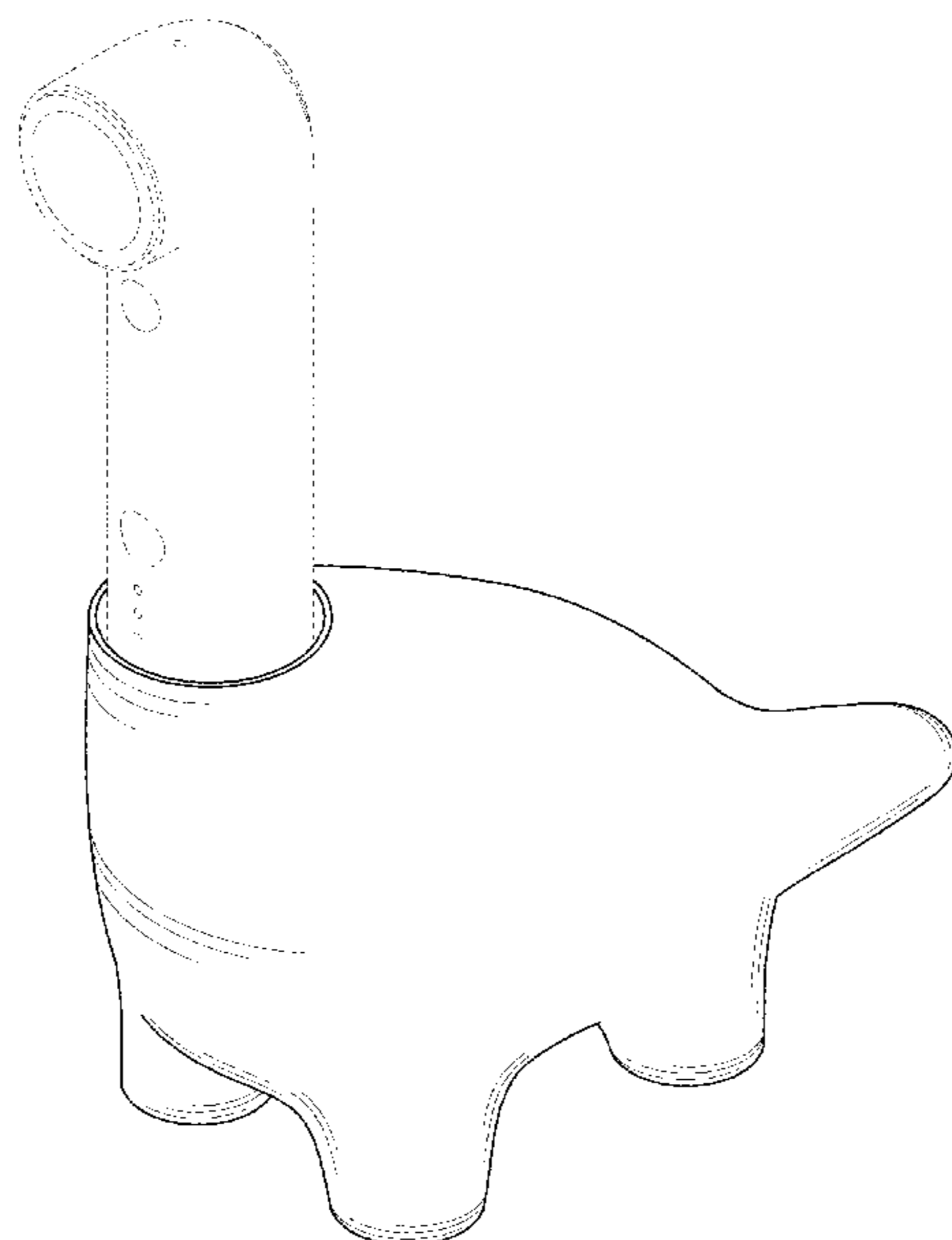
The ornamental design for a dock for portable electronic device, as shown and described.

DESCRIPTION

FIG. 1 is a front perspective view of a dock for portable electronic device showing our new design;
FIG. 2 is a front view thereof;
FIG. 3 is a rear view thereof;
FIG. 4 is a left side view thereof;
FIG. 5 is a right side view thereof;
FIG. 6 is a top plan view thereof;
FIG. 7 is a bottom plan view thereof; and,
FIG. 8 is a rear perspective view thereof.

The broken lines in the figures represent portions of the article or environmental structure which form no part of the claimed design.

1 Claim, 8 Drawing Sheets



(56)

References Cited

OTHER PUBLICATIONS

Dewey, "HTC pushes forward with Re Dinosaur accessory at the MWC, demonstrating efforts to catch up", <http://www.technewstoday.com/21779-htc-corporation-unveils-adorable-re-dinosaur-at-mwc/>, Mar. 2, 2015, pp. 1-5.

Richardson, "HTC Re Camera Has a Dinosaur Friend?", <http://www.n3rdabl3.co.uk/2015/03/htc-re-camera-dinosaur-friend/>, Mar. 2, 2015, p. 1.

* cited by examiner

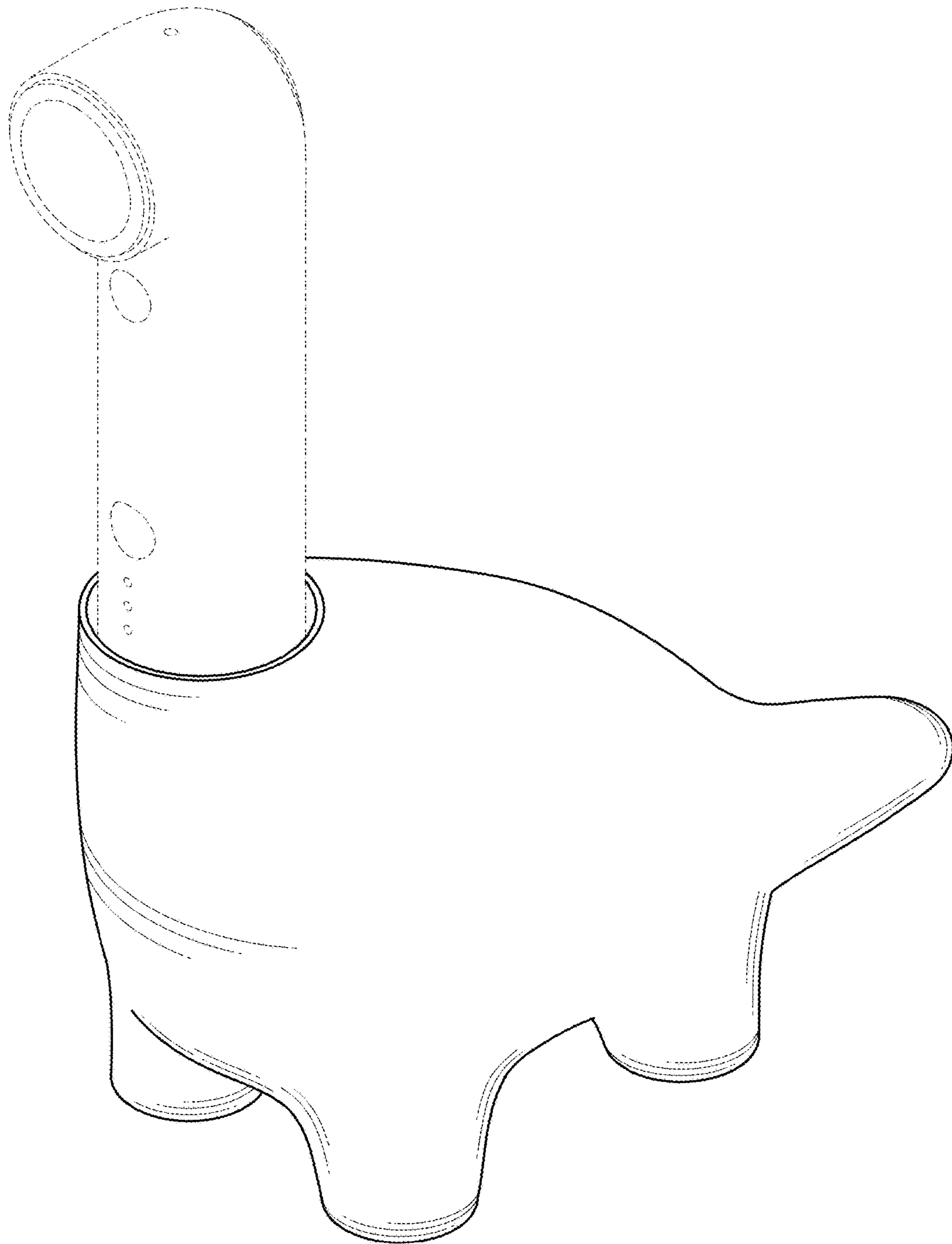


FIG. 1

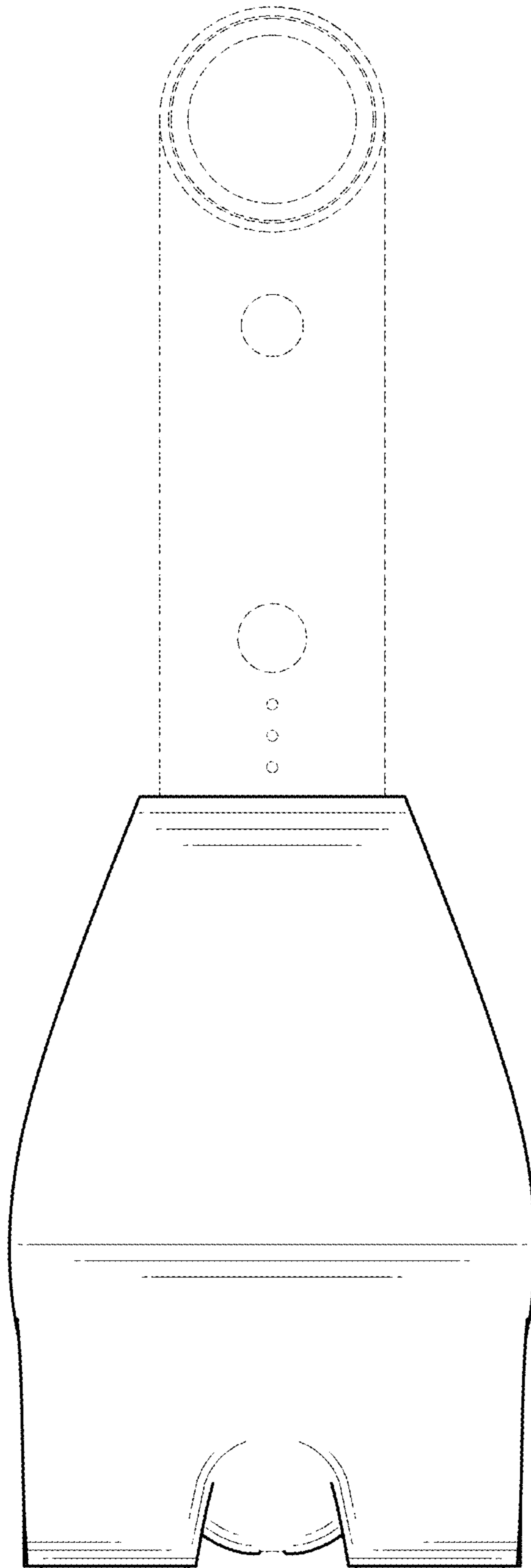


FIG. 2

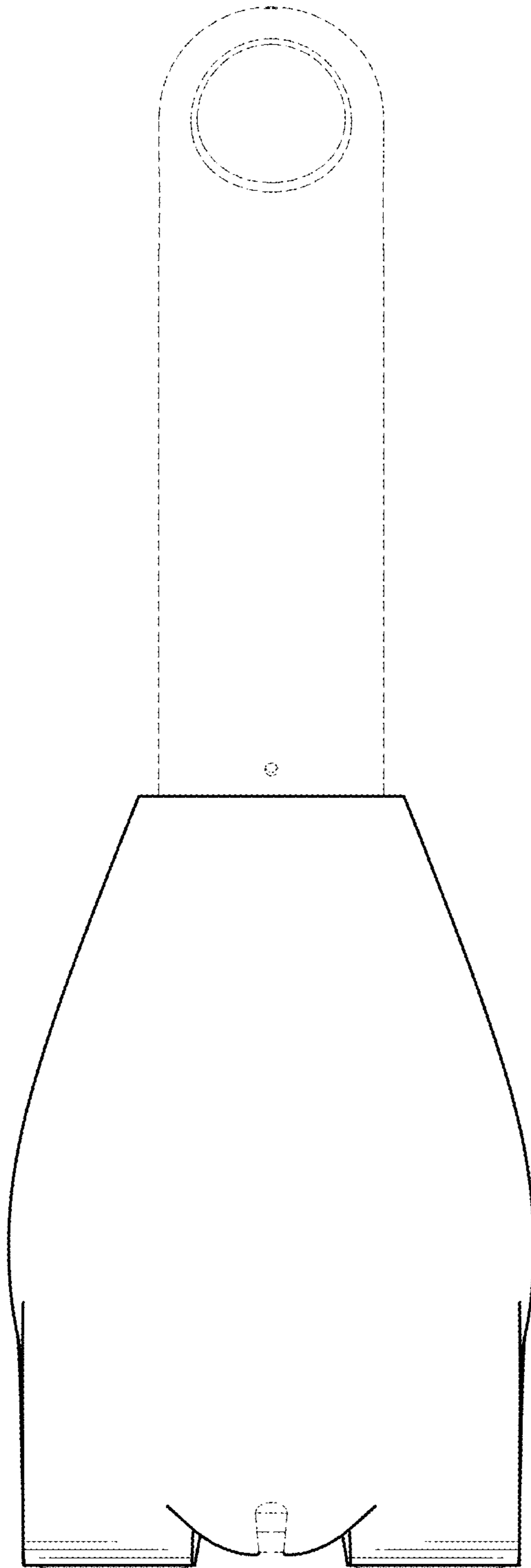


FIG. 3

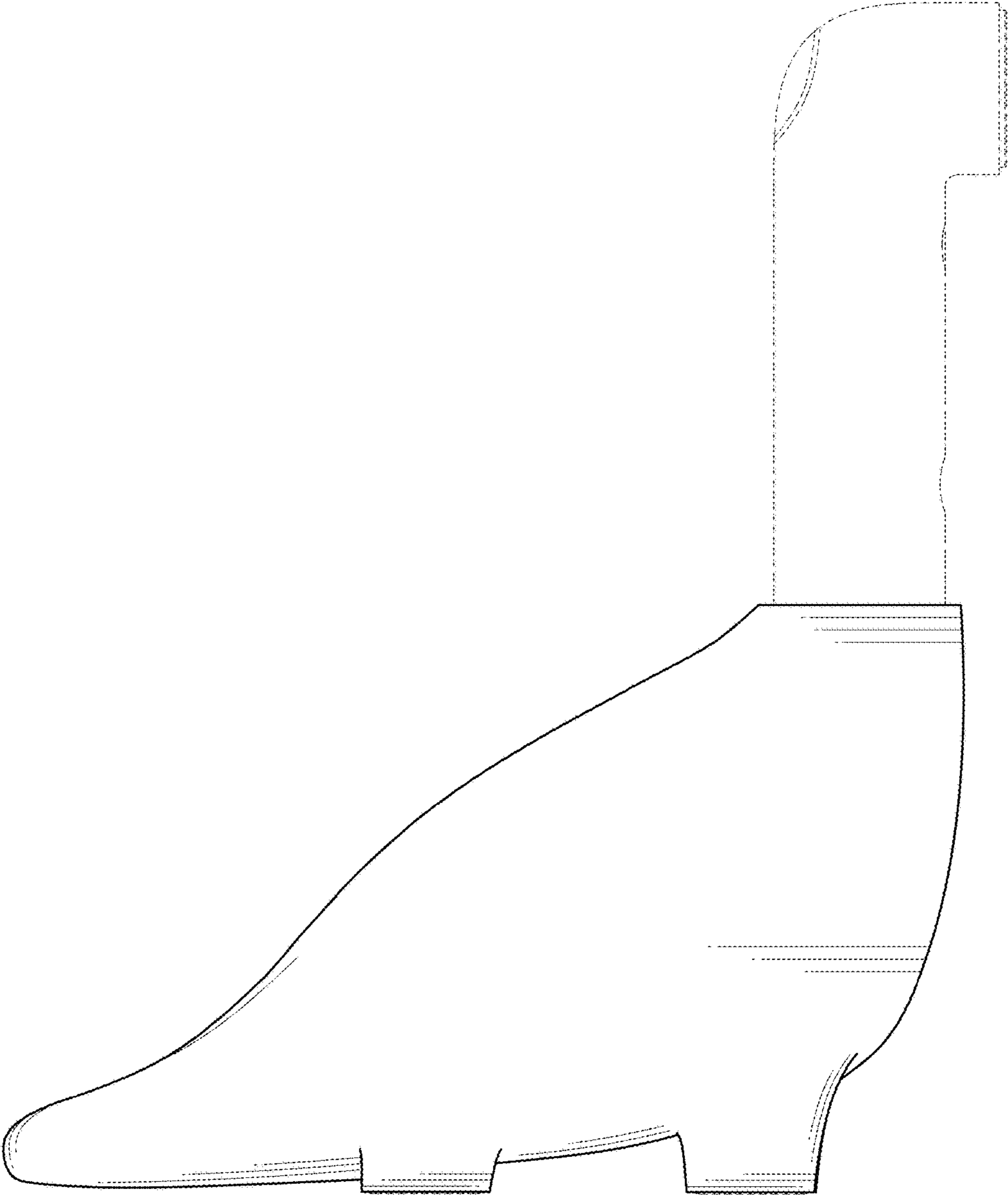


FIG. 4

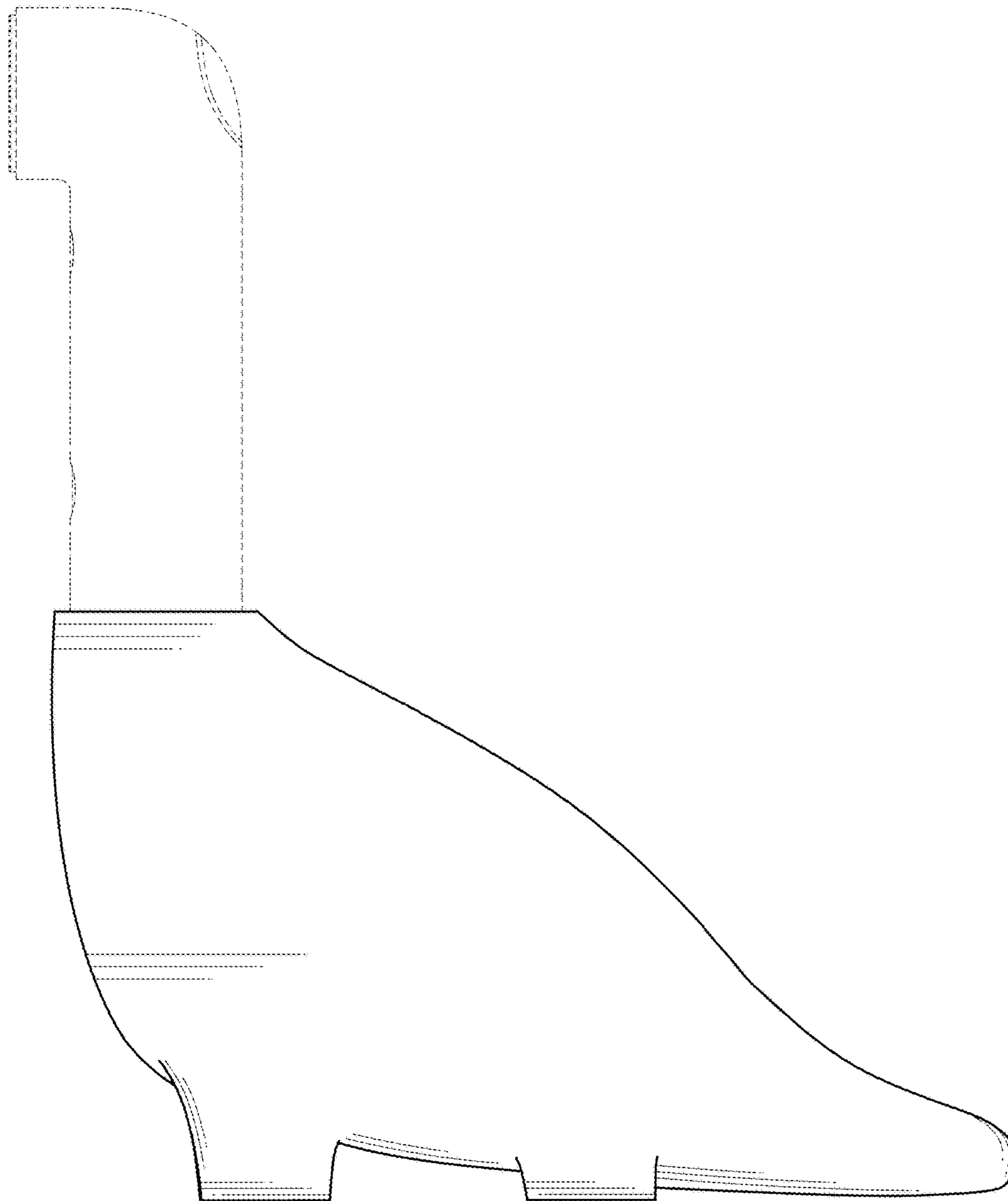


FIG. 5

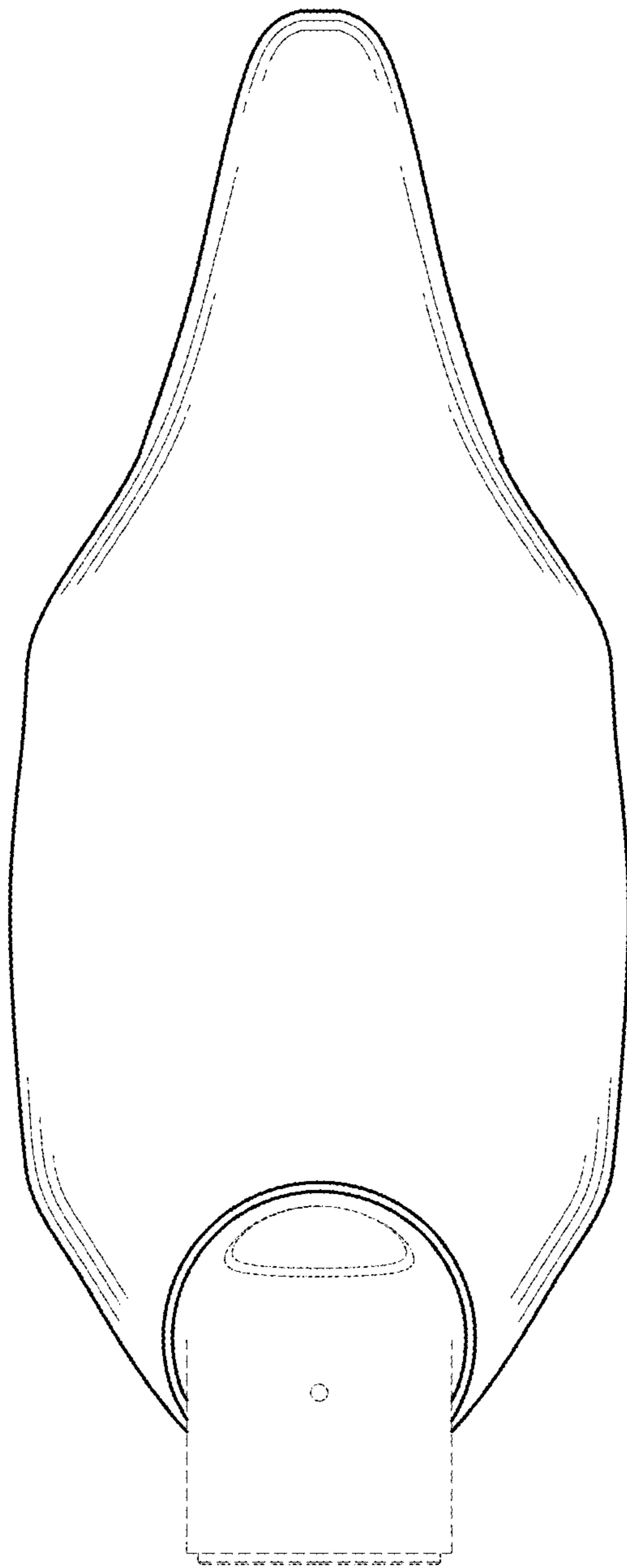


FIG. 6

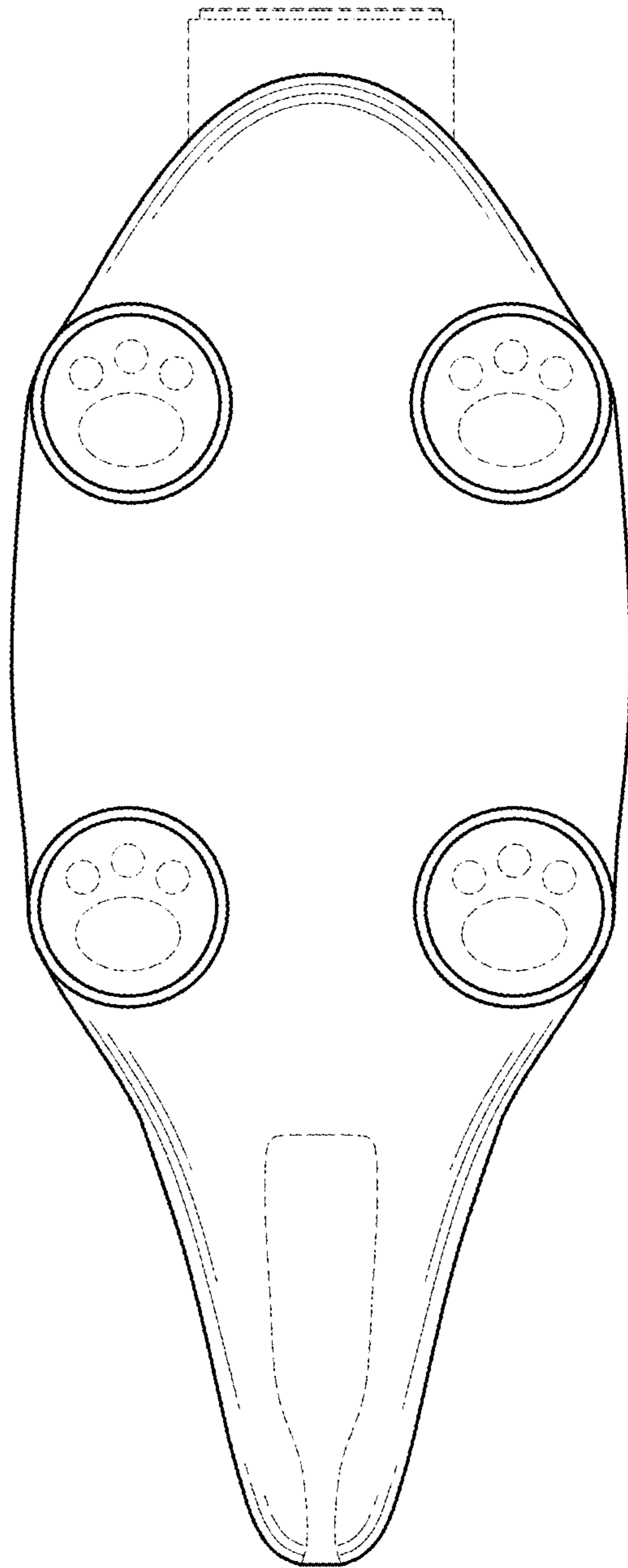


FIG. 7

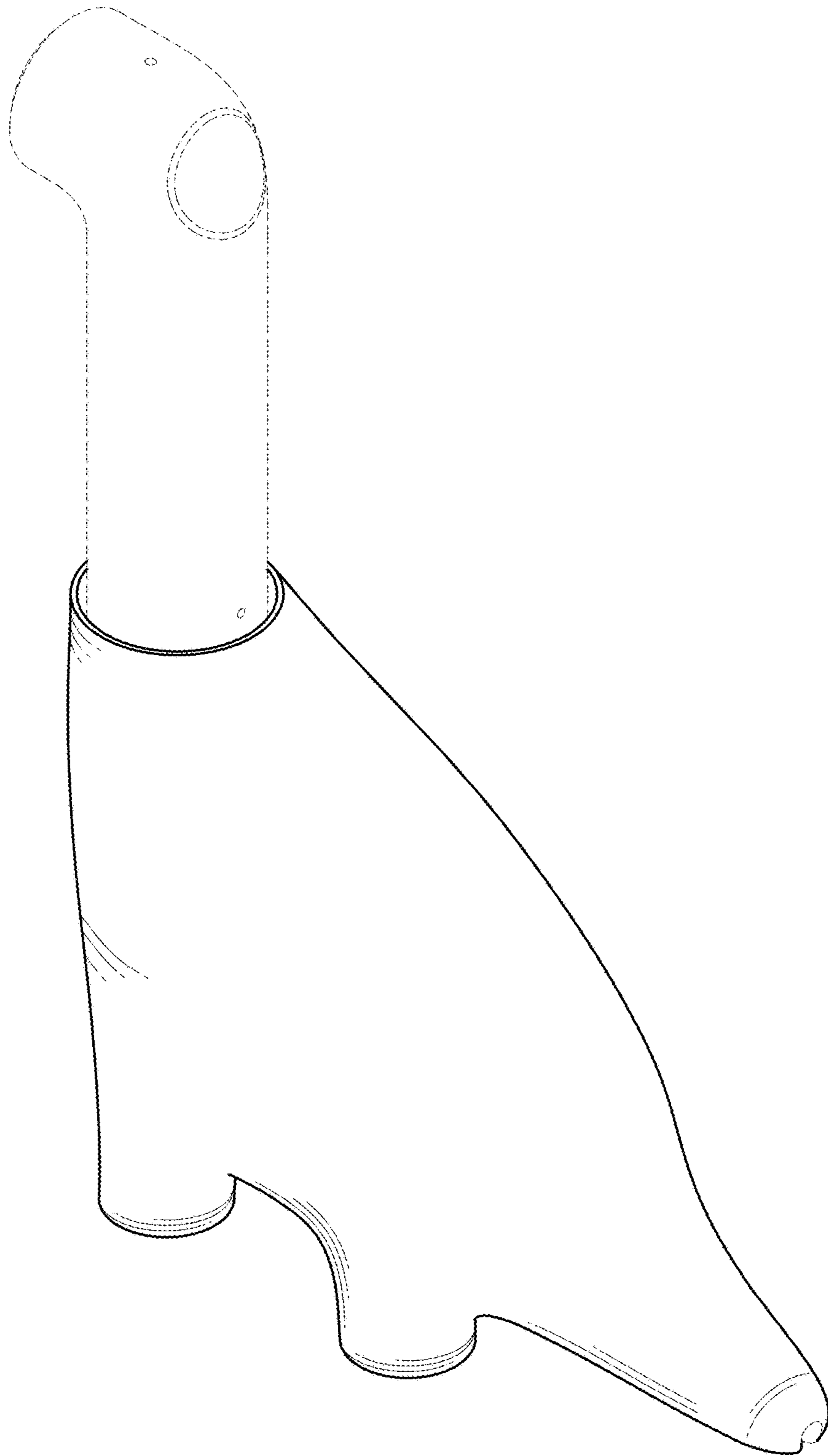


FIG. 8