



US00D793955S

(12) **United States Design Patent**
Yang

(10) **Patent No.:** **US D793,955 S**

(45) **Date of Patent:** **** Aug. 8, 2017**

- (54) **INVERTER BATTERY CHARGER**
- (71) Applicant: **Ningbo Gude Electronic Technology Co., Ltd.**, Zhejiang Province (CN)
- (72) Inventor: **Zhaolin Yang**, Zhejiang Province (CN)
- (**) Term: **15 Years**
- (21) Appl. No.: **29/562,803**
- (22) Filed: **Apr. 29, 2016**
- (51) **LOC (10) Cl.** **13-02**
- (52) **U.S. Cl.**
USPC **D13/107**
- (58) **Field of Classification Search**
USPC D13/107–110, 118–119, 182, 199;
D14/251, 253, 432, 434; 320/107–115
CPC Y02E 60/12; Y02T 90/14; Y02T 90/122;
Y02T 90/128; Y02T 90/163; H02J 7/025;
H02J 7/0042; H02J 7/0044; H02J 7/0045;
H02J 7/0003; H01F 38/14; H01R
13/6675; H01M 2/1022; H01M 2/1055;
H01M 10/44; H01M 10/46; H01M
10/425; B60L 11/182
See application file for complete search history.

D624,013 S *	9/2010	Lingott	D13/107
D624,014 S *	9/2010	Lingott	D13/107
D654,854 S *	2/2012	Inskeep	D13/107
D654,867 S *	2/2012	Huppe	D13/110
D662,879 S *	7/2012	Steinbuchel, IV	D13/107
D688,200 S *	8/2013	Shin	D13/107
D694,180 S *	11/2013	Inskeep	D13/107
D696,188 S *	12/2013	Loeck	D13/108
D701,490 S *	3/2014	Inskeep	D13/110
D742,819 S *	11/2015	Nuovo	D13/107
D744,942 S *	12/2015	Bates	D13/107
D744,943 S *	12/2015	Bates	D13/107
D745,455 S *	12/2015	Nook	D13/103
D746,770 S *	1/2016	Nook	D13/103
D755,121 S *	5/2016	Barajas	D13/107

* cited by examiner

Primary Examiner — Rosemary K Tarcza

(74) *Attorney, Agent, or Firm* — Prakash Nama; Global IP Services, PLLC

(57) **CLAIM**

The ornamental design for an inverter battery charger, as shown.

DESCRIPTION

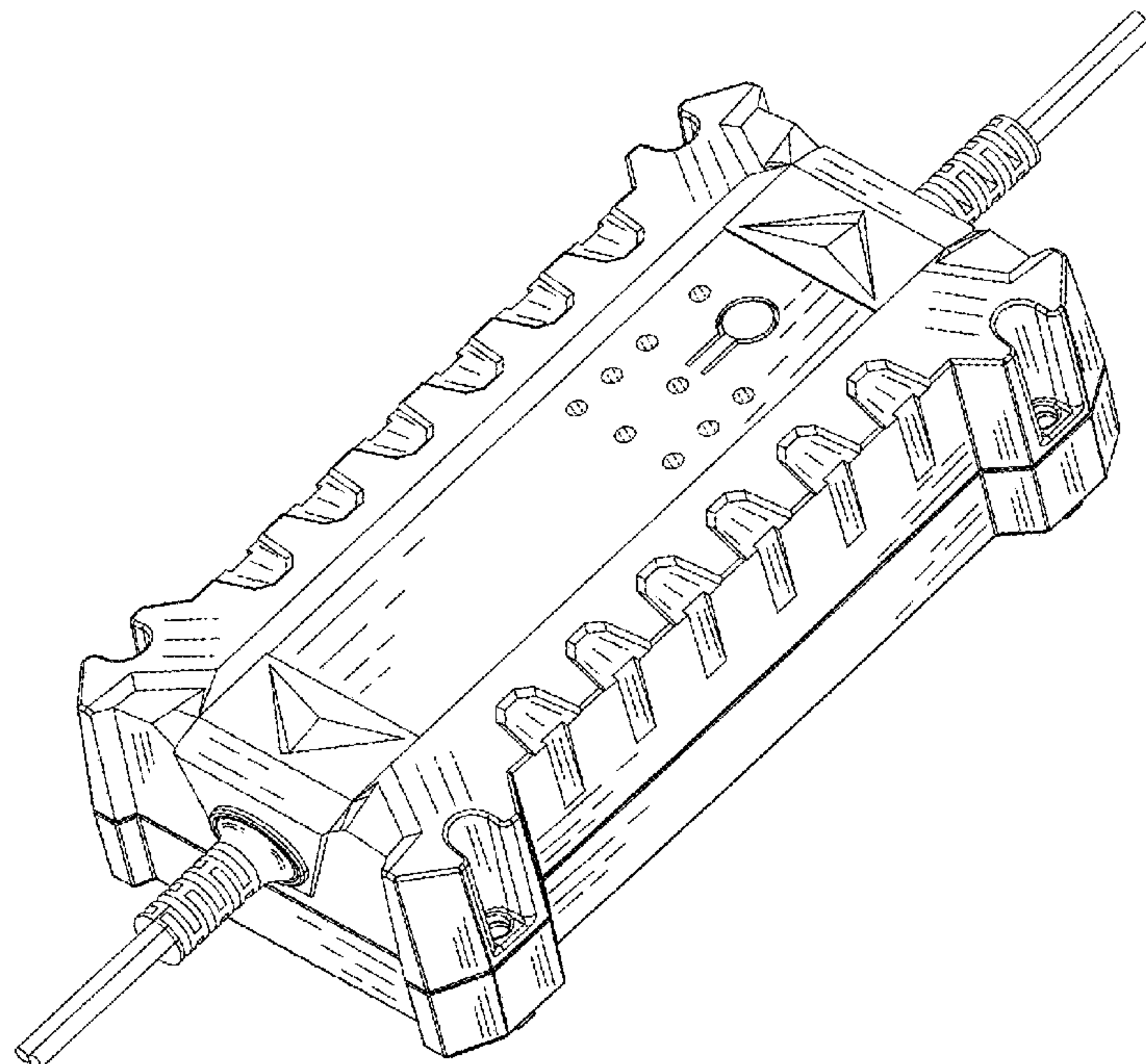
FIG. 1 is a front elevational view of an inverter battery charger showing my new design;
 FIG. 2 is a rear elevational view thereof;
 FIG. 3 is a left side view thereof;
 FIG. 4 is a right side view thereof;
 FIG. 5 is a top plan view thereof;
 FIG. 6 is a bottom plan view thereof;
 FIG. 7 is a perspective view thereof; and,
 FIG. 8 is a second perspective view thereof.

1 Claim, 6 Drawing Sheets

(56) **References Cited**

U.S. PATENT DOCUMENTS

5,019,767 A *	5/1991	Shirai	H01M 2/105 224/902
D511,743 S *	11/2005	Hriscu	D13/107
D575,225 S *	8/2008	Ahlgren	D13/107
D581,356 S *	11/2008	Ahlgren	D13/107
D617,267 S *	6/2010	Li	D13/107



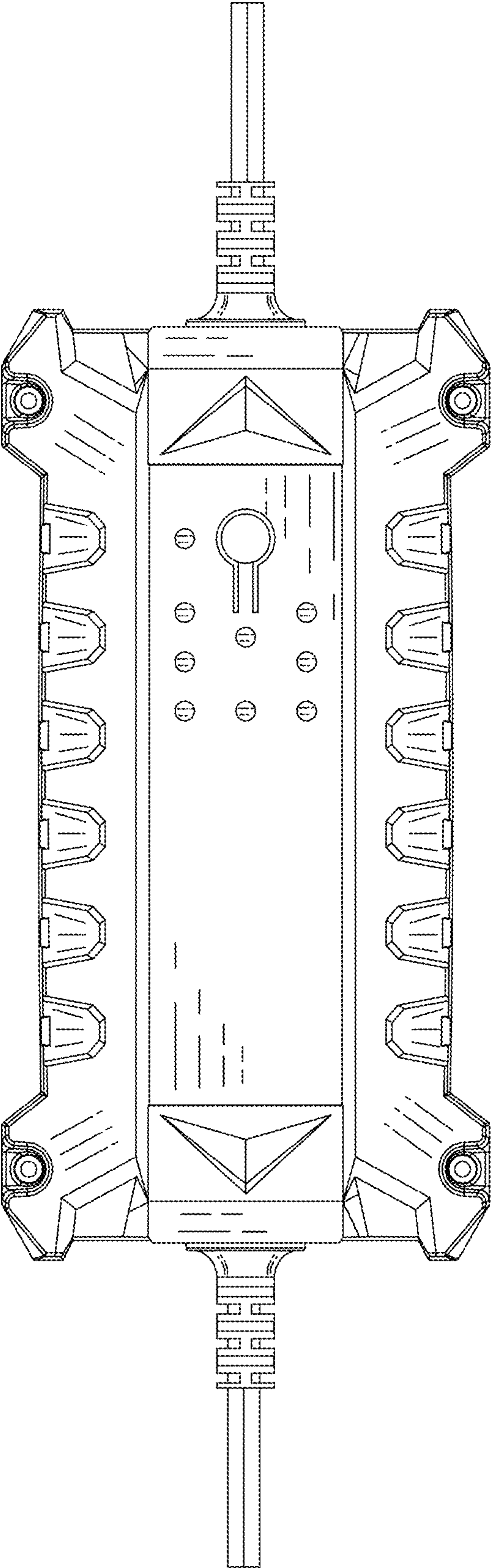


FIG. 1

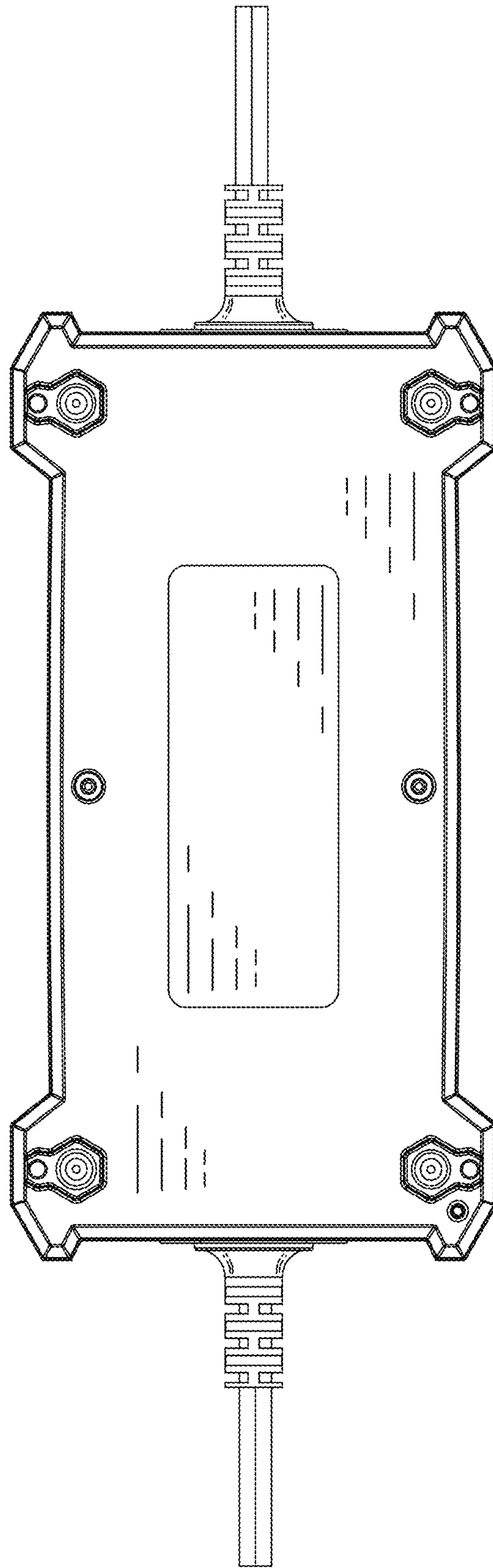


FIG. 2

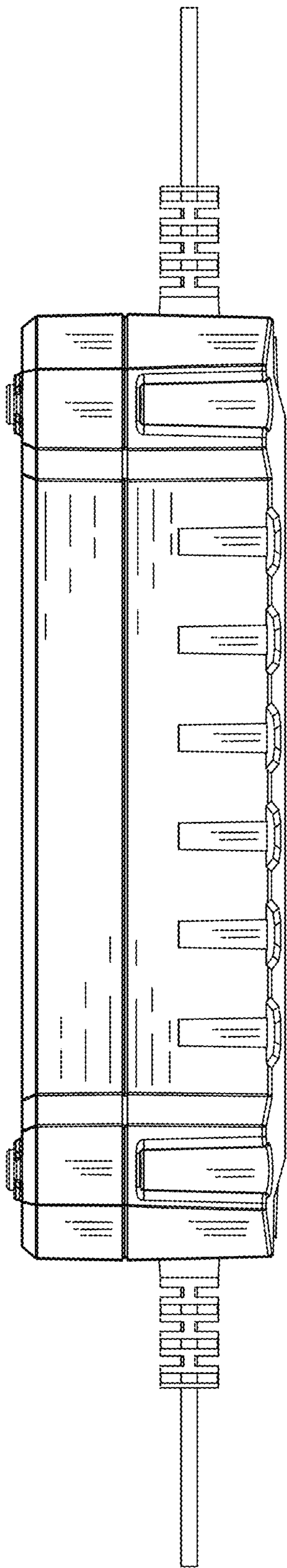


FIG. 3

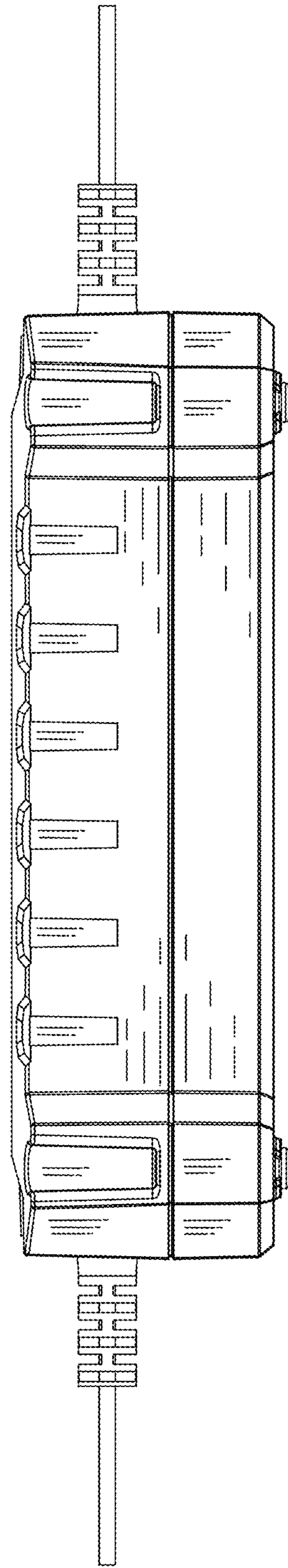


FIG. 4

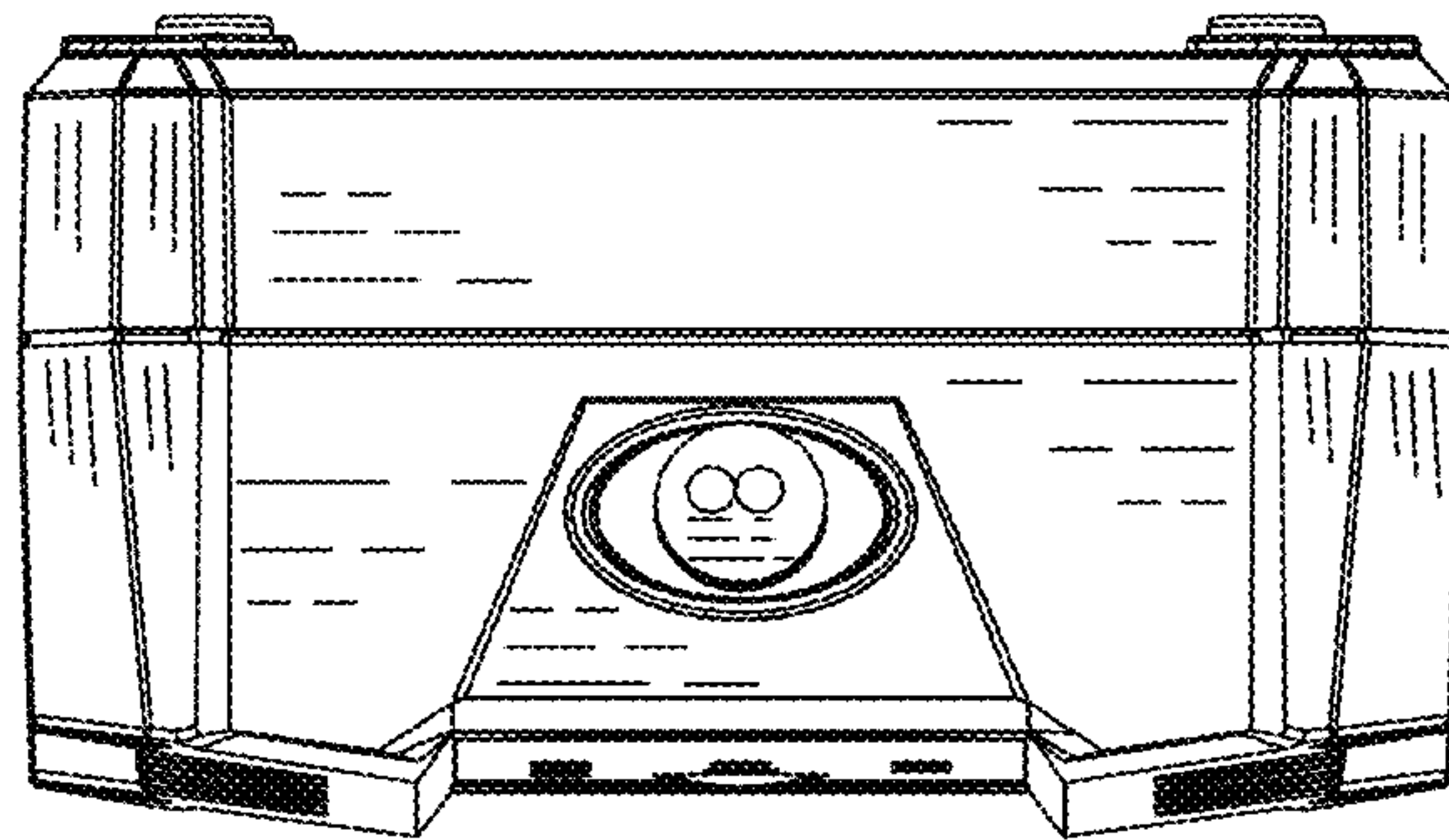


FIG. 5

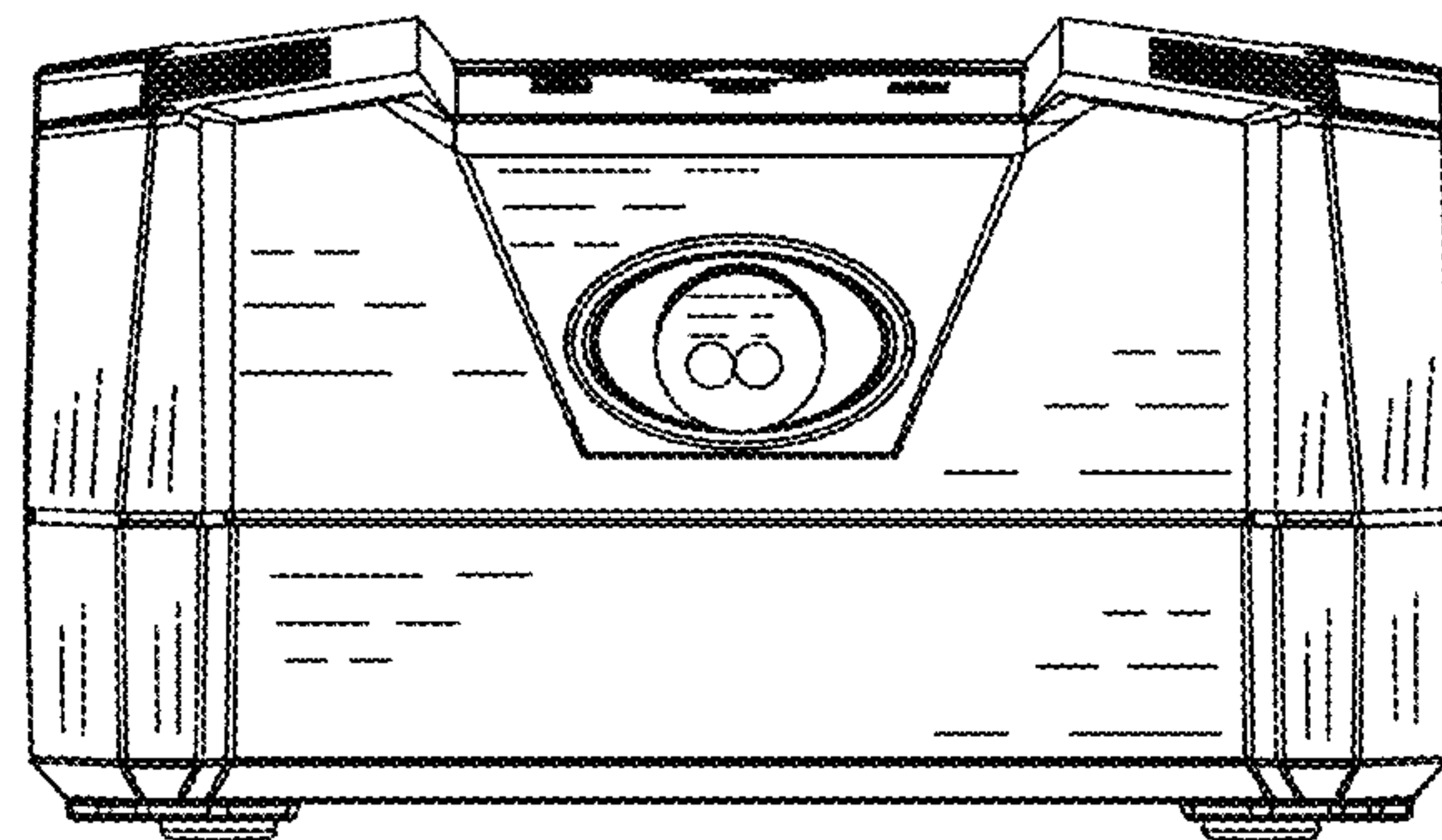


FIG. 6

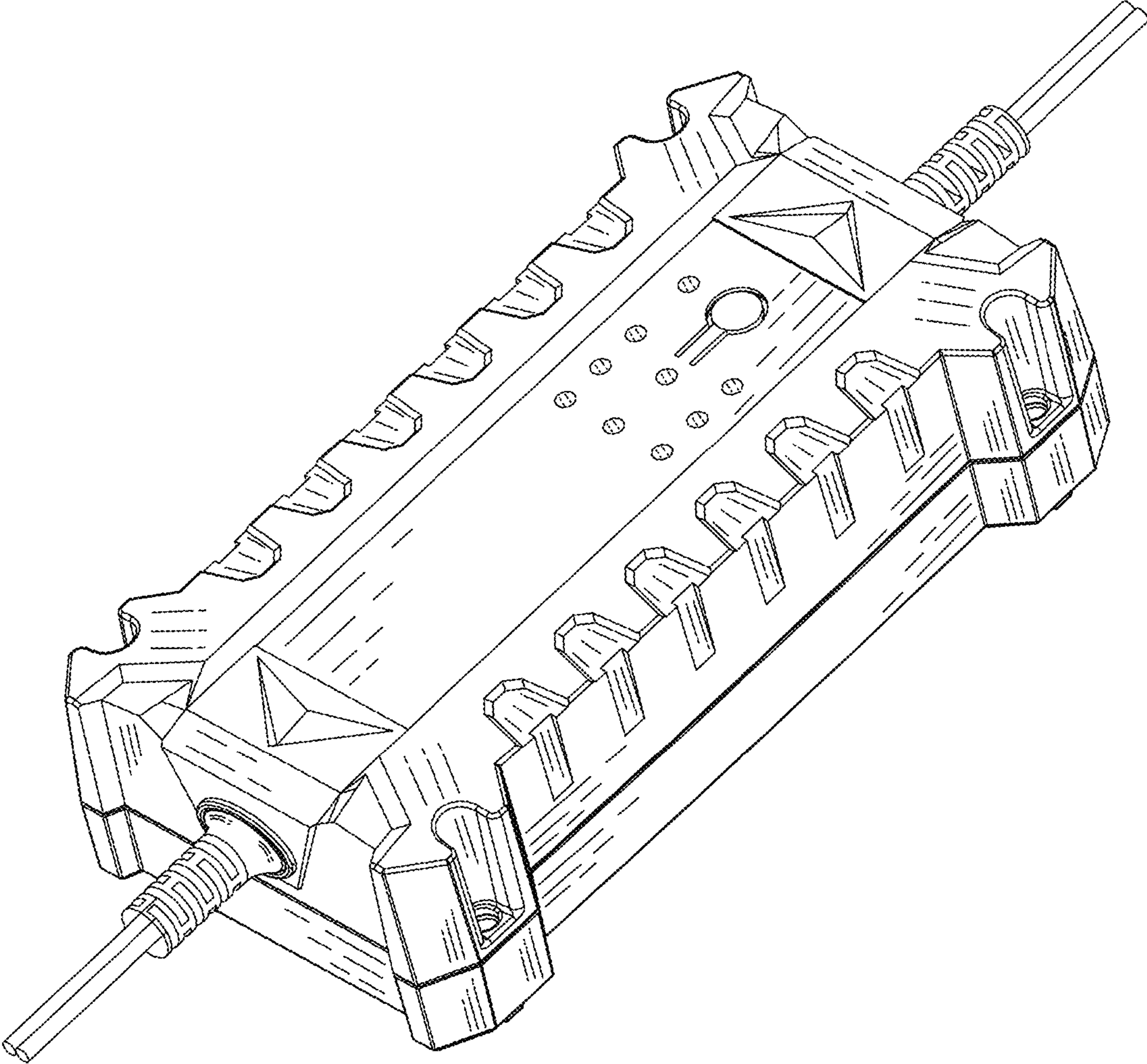


FIG. 7

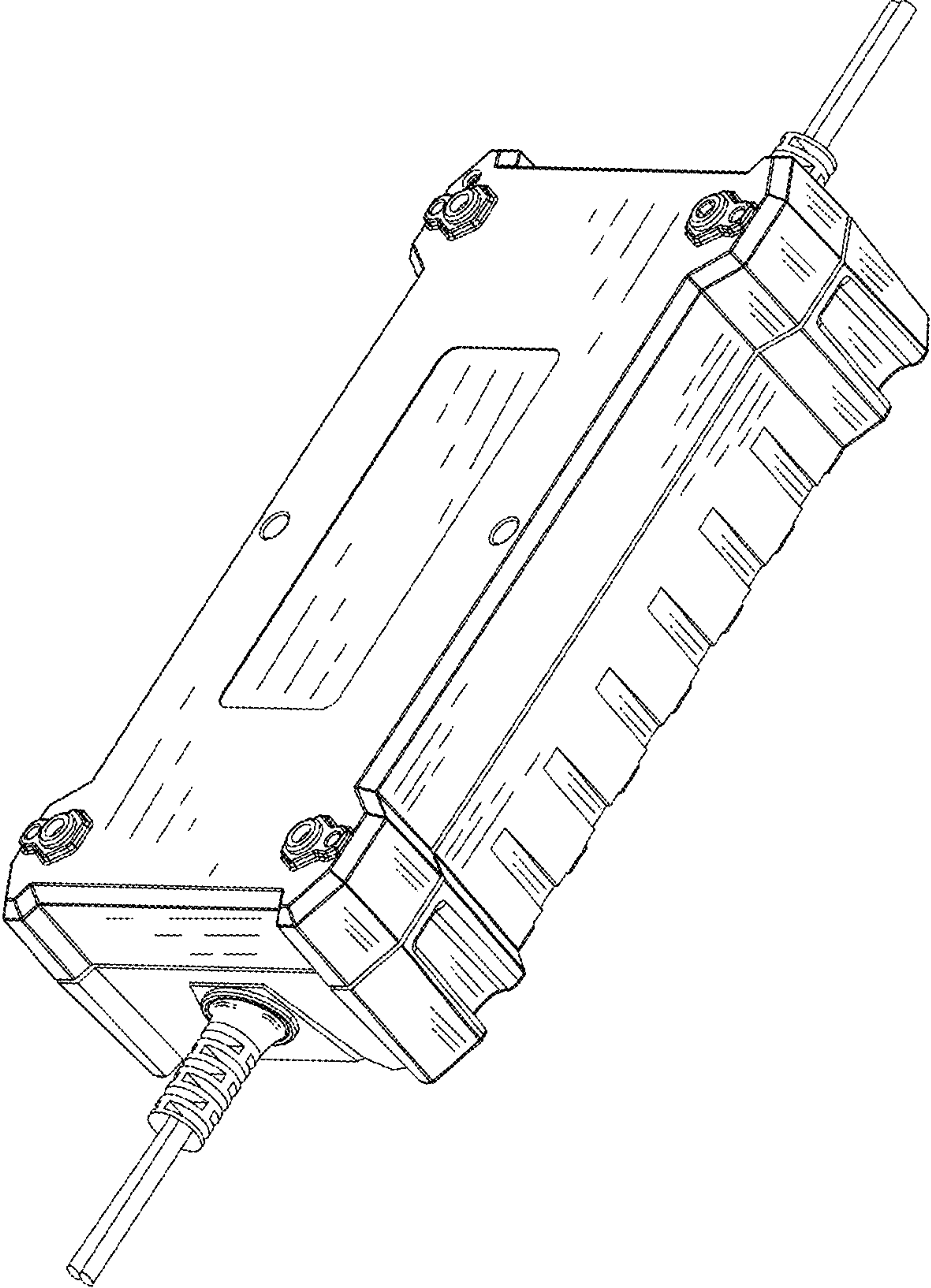


FIG. 8