



US00D793942S

(12) **United States Design Patent**
Factor

(10) **Patent No.:** **US D793,942 S**

(45) **Date of Patent:** **** Aug. 8, 2017**

(54) **WHEEL**

(71) Applicant: **Valley Custom Tire, Inc.**, Vernon, CA (US)

(72) Inventor: **Stephen Factor**, Vernon, CA (US)

(73) Assignee: **VALLEY CUSTOM TIRE, INC.**, Vernon, CA (US)

(**) Term: **15 Years**

(21) Appl. No.: **29/575,665**

(22) Filed: **Aug. 26, 2016**

(51) **LOC (10) Cl.** **12-16**

(52) **U.S. Cl.**
USPC **D12/211**

(58) **Field of Classification Search**
USPC D12/204–213
CPC B60B 7/00; B60B 7/02; B60B 7/04; B60B 7/01; B60B 7/06; B60B 3/02; B60B 3/04; B60B 3/06; B60B 3/10; B60B 1/00; B60B 1/08; B60B 1/10; B60B 1/12
See application file for complete search history.

(56) **References Cited**

U.S. PATENT DOCUMENTS

D474,440 S * 5/2003 Oh D12/211
D480,036 S * 9/2003 Laengerer D12/211

D506,172 S * 6/2005 Pfeiffer D12/211
D516,490 S * 3/2006 Baer D12/211
D535,605 S * 1/2007 Guevara D12/211
D551,149 S * 9/2007 Elmitt D12/211
D570,276 S * 6/2008 Chung D12/211
D633,028 S * 2/2011 Kim D12/211
D636,716 S * 4/2011 Ettensberger D12/211
D639,228 S * 6/2011 Johnson D12/211
D689,004 S * 9/2013 Jallad D12/211
D695,197 S * 12/2013 Jallad D12/211
D702,172 S * 4/2014 Chung D12/211
D704,118 S * 5/2014 Chung D12/209
D704,617 S * 5/2014 Chung D12/211
D709,019 S * 7/2014 Hale, Jr. D12/211
D717,710 S * 11/2014 Chung D12/211

* cited by examiner

Primary Examiner — Stacia Cadmus

(74) *Attorney, Agent, or Firm* — Cotman IP Law Group, PLC

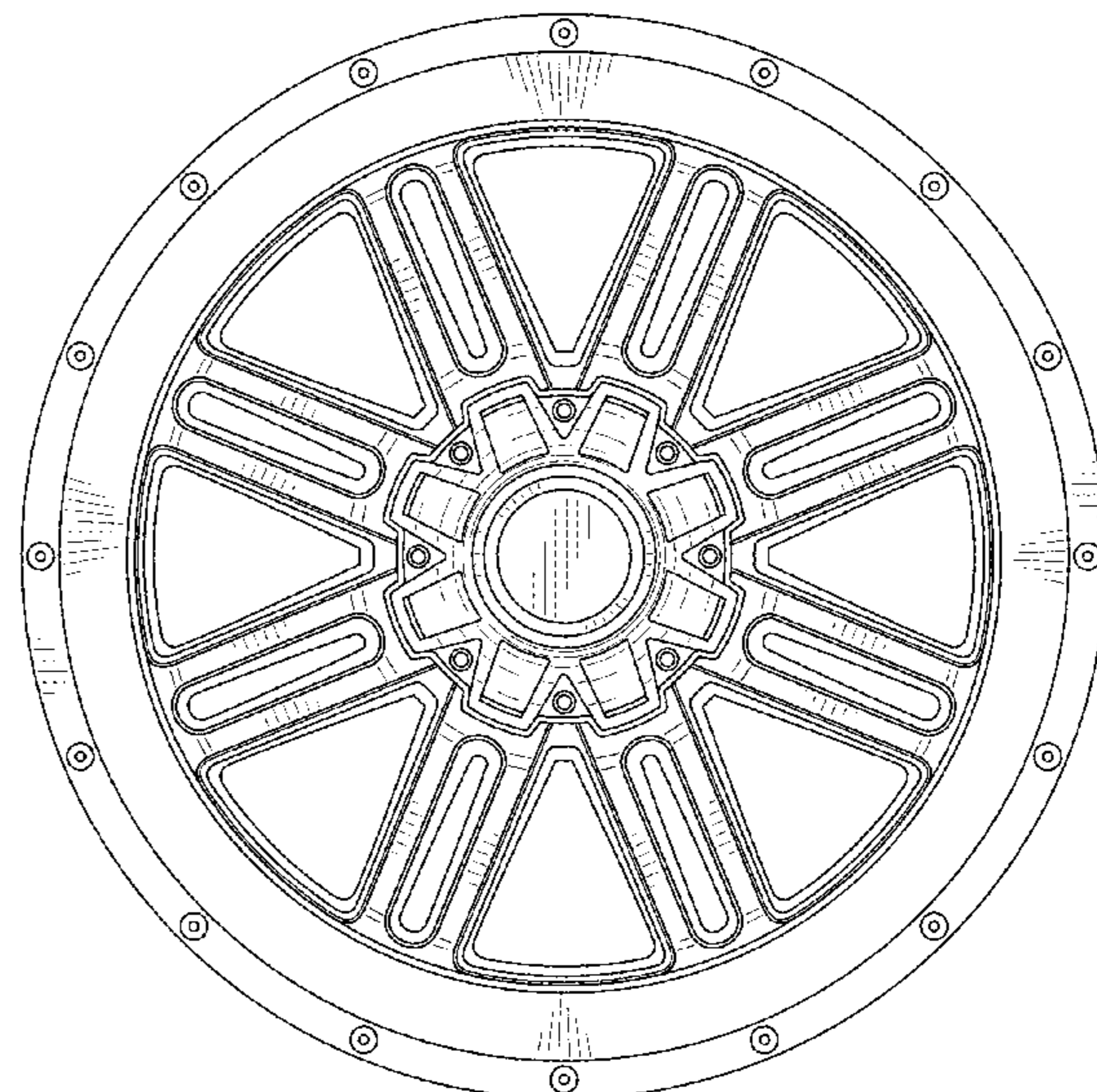
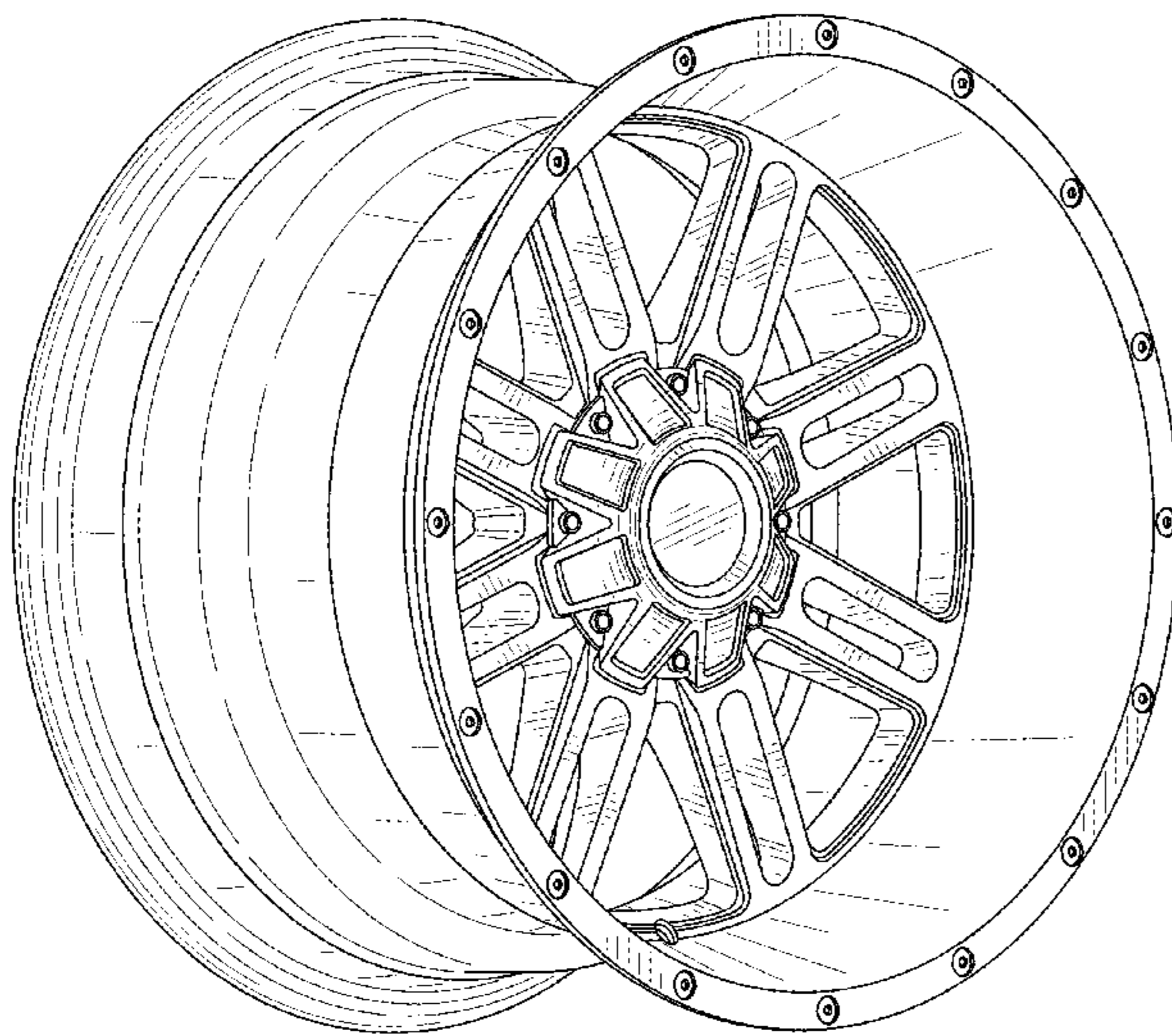
(57) **CLAIM**

The ornamental design for a wheel, as shown and described.

DESCRIPTION

FIG. 1 is a perspective view of the wheel showing my new design; and,
FIG. 2 is a front view thereof.

1 Claim, 2 Drawing Sheets



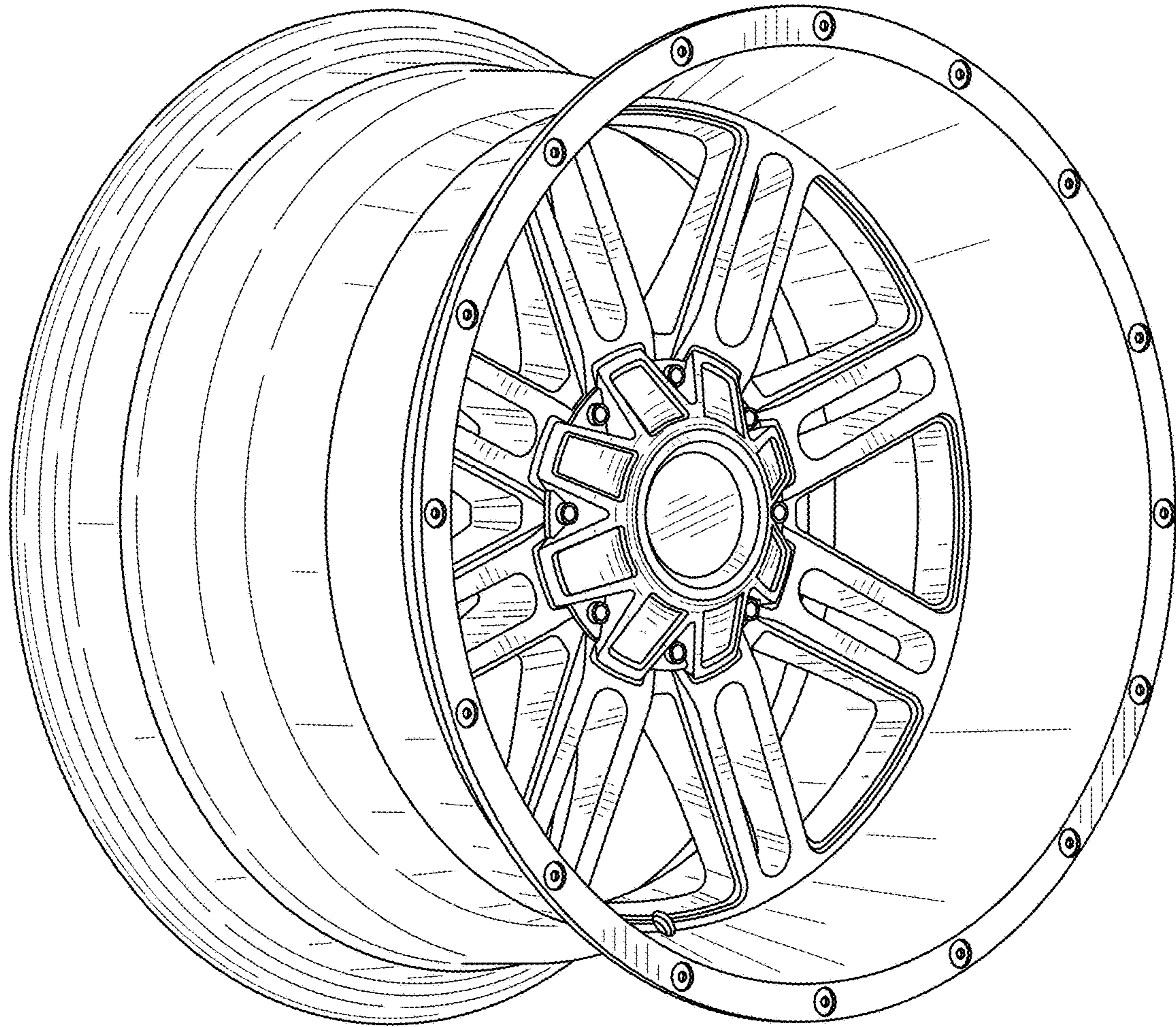


FIG. 1

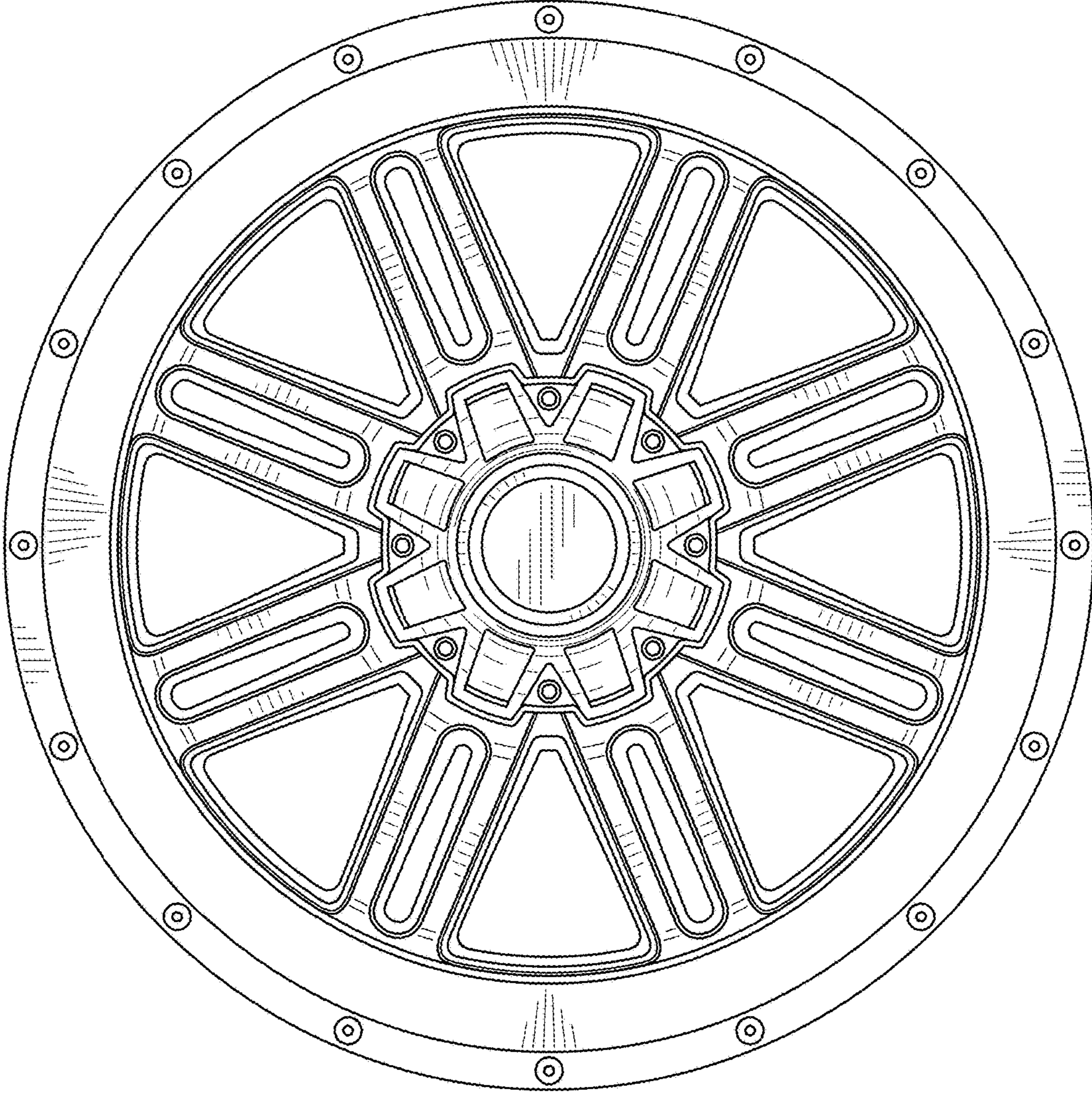


FIG. 2