



US00D793939S

(12) **United States Design Patent**  
**Hans et al.**

(10) **Patent No.:** **US D793,939 S**

(45) **Date of Patent:** **\*\* Aug. 8, 2017**

(54) **WHEEL OR WHEEL COVER**

(71) Applicant: **Daimler AG**, Stuttgart (DE)

(72) Inventors: **Bernhard Hans**, Kirchberg (DE); **Kai Hilpert**, Plochingen (DE)

(73) Assignee: **Daimler AG**, Stuttgart (DE)

(\*\*) Term: **15 Years**

(21) Appl. No.: **29/548,689**

(22) Filed: **Dec. 16, 2015**

(30) **Foreign Application Priority Data**

Jun. 17, 2015 (EM) ..... 002720664-0003

(51) **LOC (10) Cl.** ..... **12-16**

(52) **U.S. Cl.**  
USPC ..... **D12/211**

(58) **Field of Classification Search**  
USPC ..... D12/204–213  
CPC .... B60B 7/00; B60B 7/02; B60B 7/04; B60B 7/01; B60B 7/06; B60B 3/02; B60B 3/04; B60B 3/06; B60B 3/10; B60B 1/00; B60B 1/08; B60B 1/10; B60B 1/12  
See application file for complete search history.

(56) **References Cited**

**U.S. PATENT DOCUMENTS**

D457,478 S *	5/2002	Minamisawa	.....	D12/211
D593,474 S *	6/2009	Flueckiger	.....	D12/209
D596,548 S *	7/2009	Gallert	.....	D12/211
D610,516 S *	2/2010	Dilber	.....	D12/211
D626,053 S *	10/2010	Groom	.....	D12/211
D632,239 S *	2/2011	Gallert	.....	D12/211
D638,766 S *	5/2011	Hilpert	.....	D12/211

D658,105 S *	4/2012	Hans	.....	D12/211
D673,099 S *	12/2012	Ender	.....	D12/211
D689,421 S *	9/2013	Wachter	.....	D12/211
D710,780 S *	8/2014	Borkert	.....	D12/211
D718,206 S *	11/2014	Song	.....	D12/211
D721,028 S *	1/2015	Lemke	.....	D12/211
D722,935 S *	2/2015	Dingle	.....	D12/209
D737,190 S *	8/2015	Kern	.....	D12/211
D744,402 S *	12/2015	Watkin	.....	D12/211
D748,558 S *	2/2016	Hans	.....	D12/211
D749,029 S *	2/2016	Wheel	.....	D12/211
D754,052 S *	4/2016	Juergens	.....	D12/211
D755,690 S *	5/2016	von Tardy-Tuch	.....	D12/209
D762,155 S *	7/2016	Juergens	.....	D12/211
D766,155 S *	9/2016	Wheel	.....	D12/211
D767,466 S *	9/2016	Juergens	.....	D12/211
D768,047 S *	10/2016	Hans	.....	D12/211
D778,801 S *	2/2017	Bucher	.....	D12/211
D784,898 S *	4/2017	Setter	.....	D12/211
D786,159 S *	5/2017	Boyd	.....	D12/211
D787,409 S *	5/2017	Smith	.....	D12/211

\* cited by examiner

*Primary Examiner* — Stacia Cadmus

(74) *Attorney, Agent, or Firm* — Crowell & Moring LLP

(57) **CLAIM**

The ornamental design for a wheel or wheel cover, as shown and described.

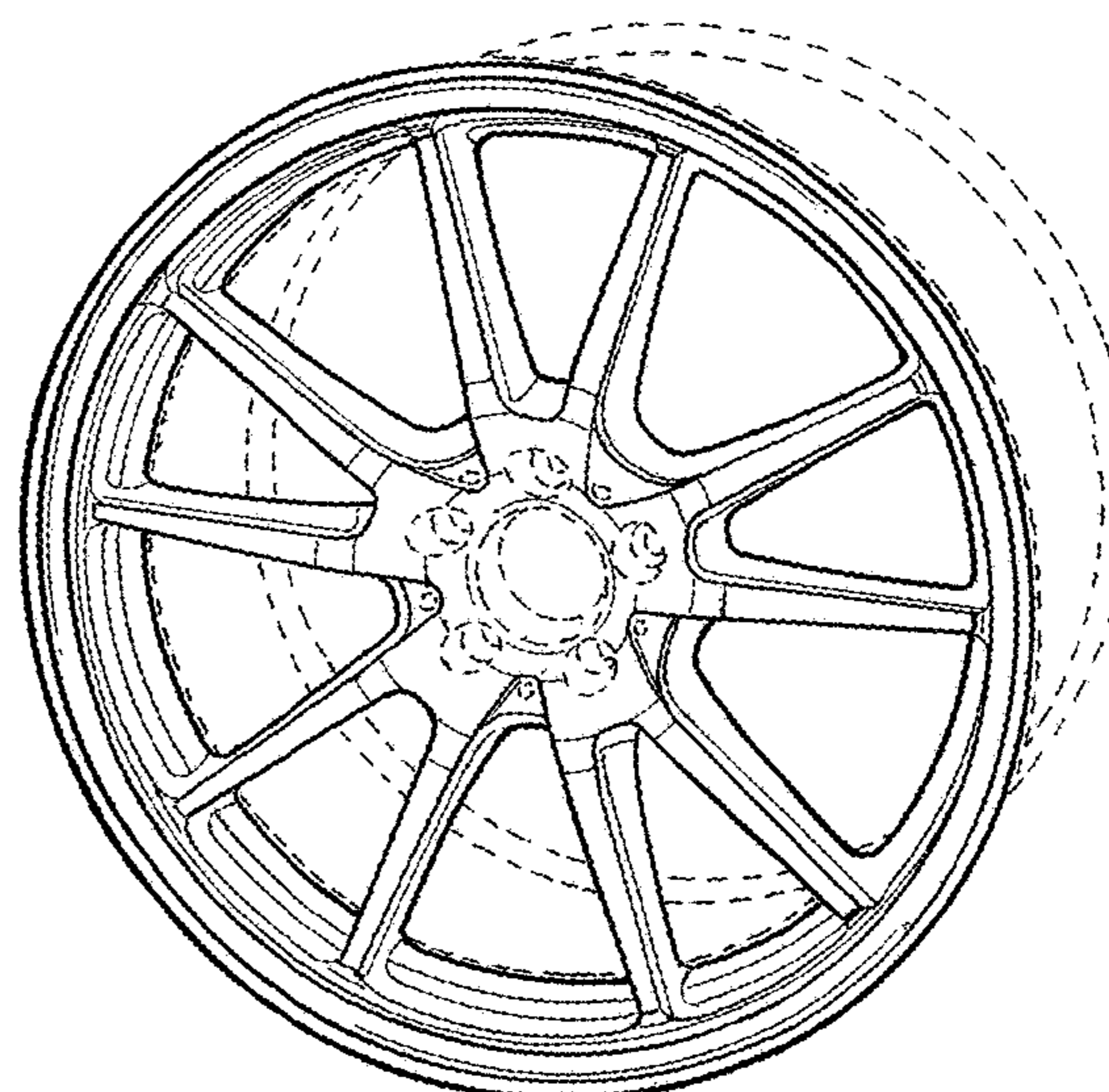
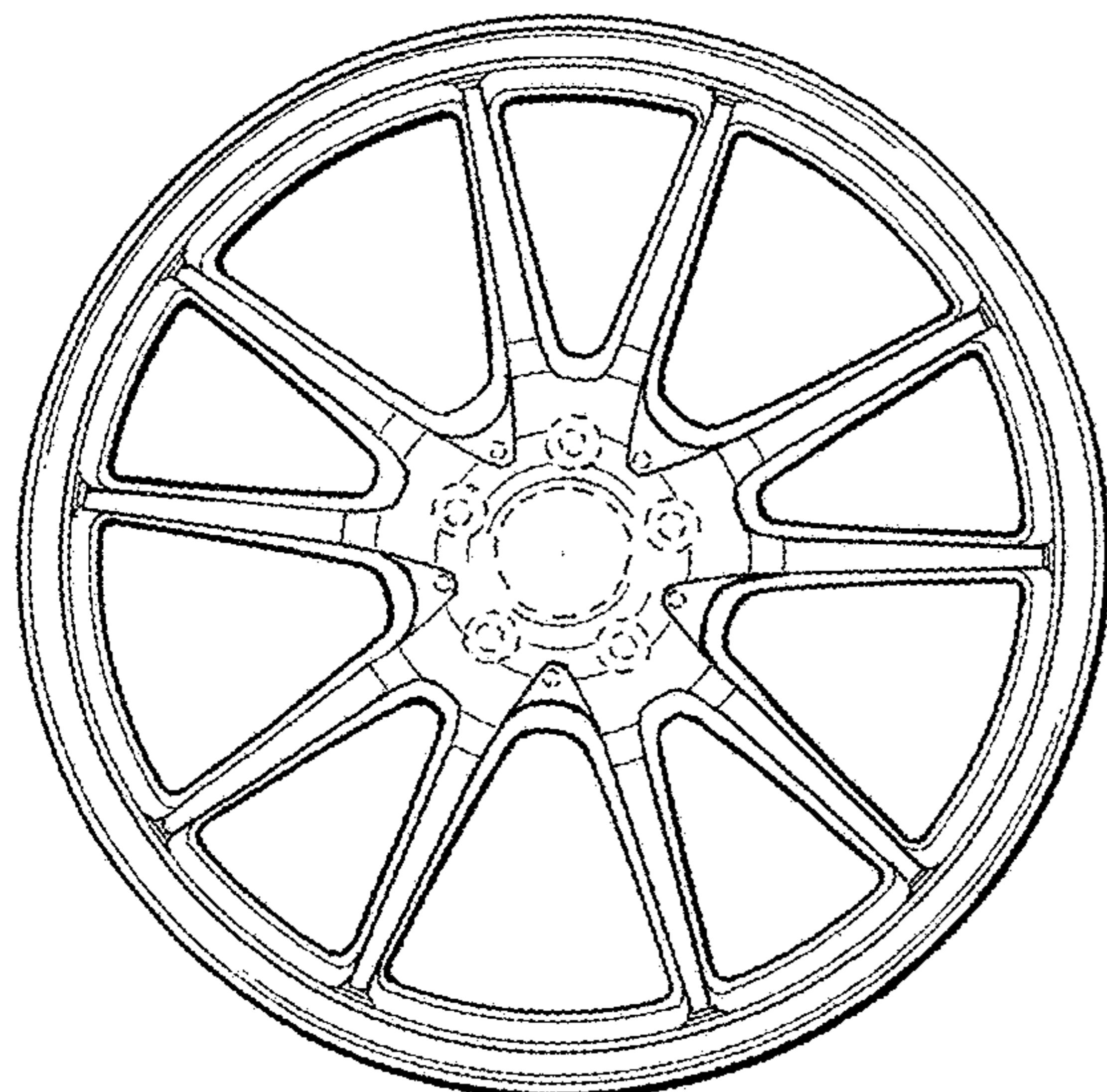
**DESCRIPTION**

FIG. 1 is a front view of a wheel or wheel cover according to the design; and,

FIG. 2 is a perspective view thereof.

The broken line showing of the rear of the rim, the bolt holes and center hole in the central hub area is included for the purpose of illustrating environmental subject matter and forms no part of the claimed design.

**1 Claim, 1 Drawing Sheet**



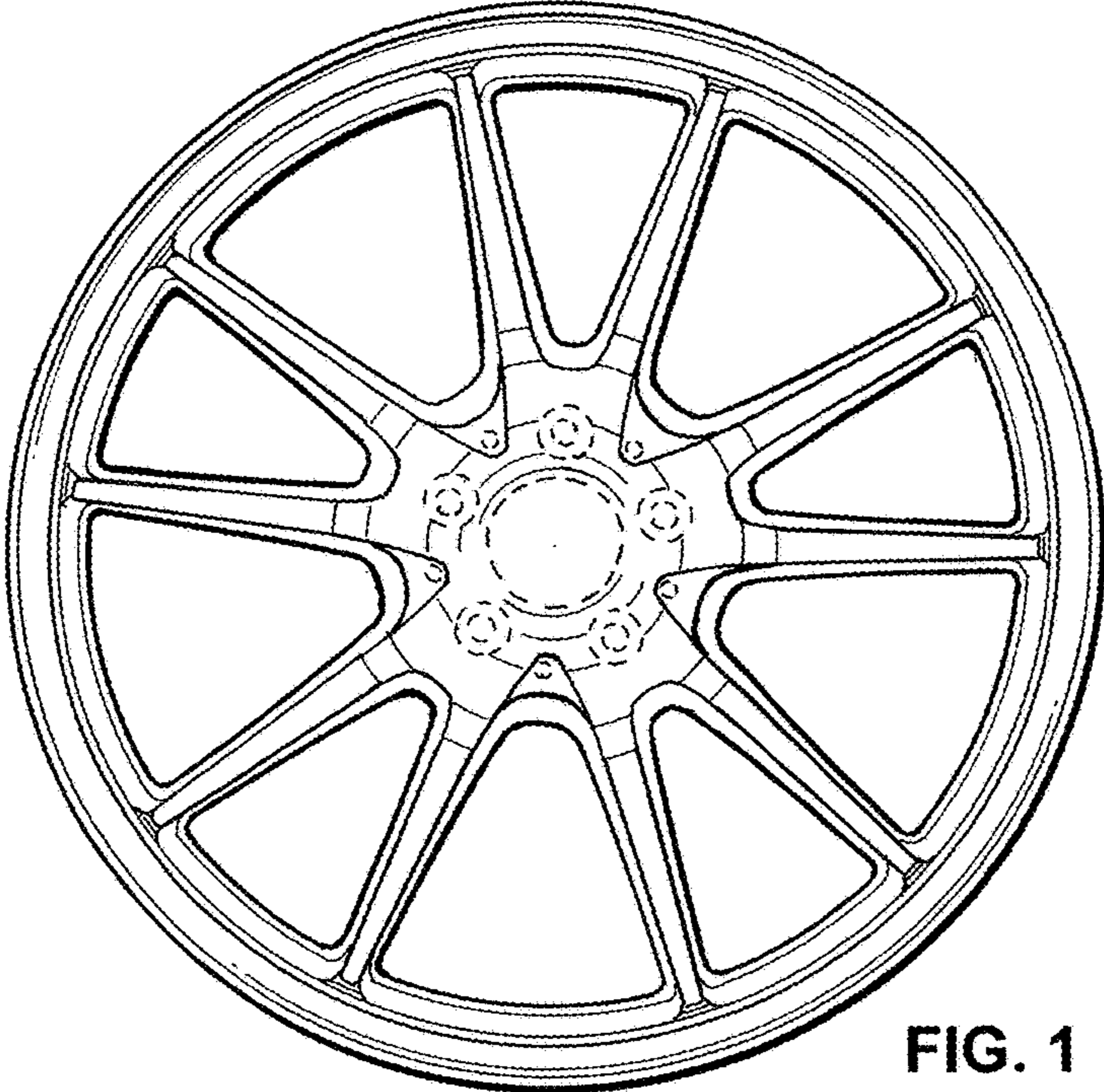


FIG. 1

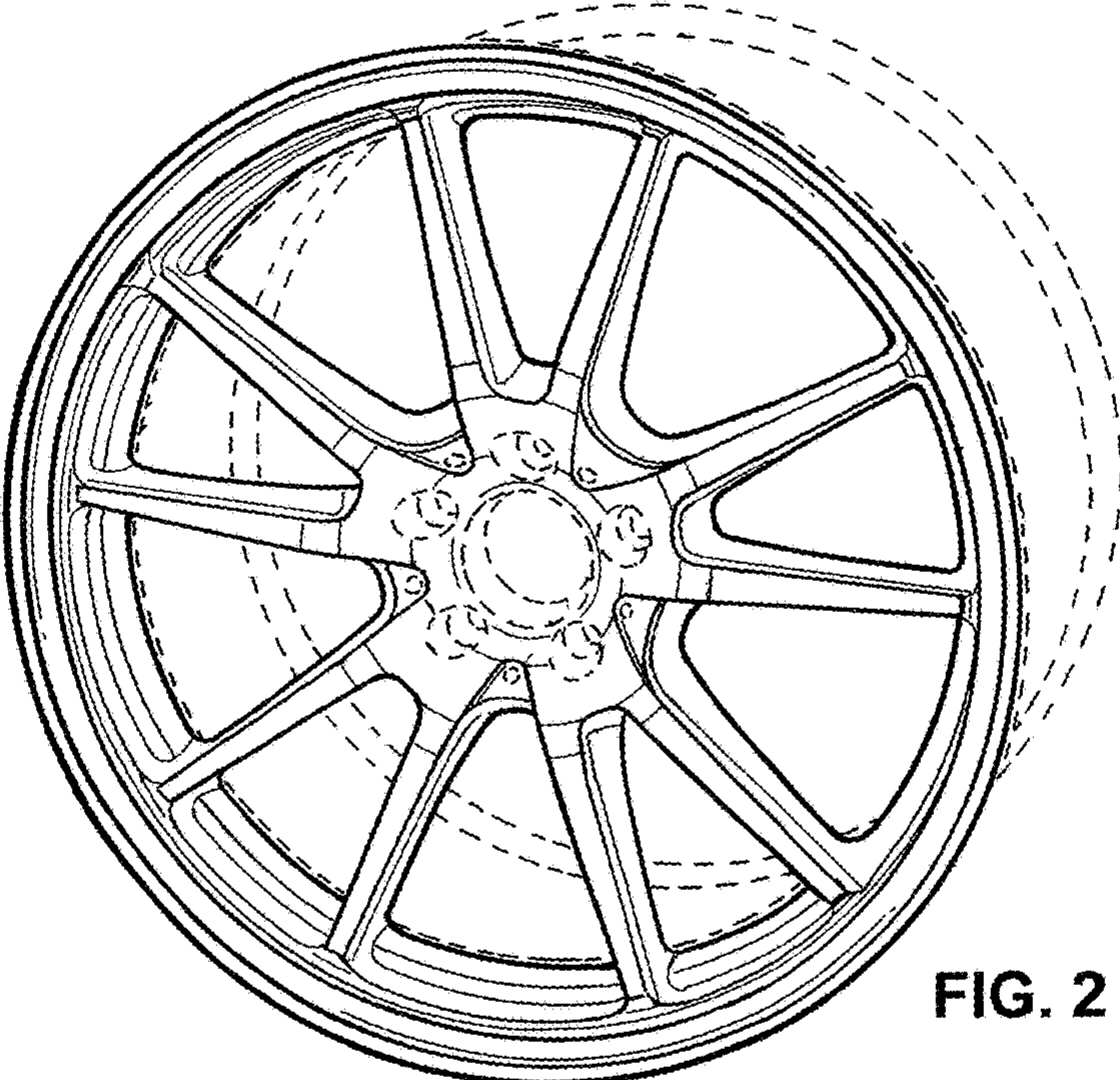


FIG. 2