



US00D793938S

(12) **United States Design Patent**
Yang et al.

(10) **Patent No.:** **US D793,938 S**

(45) **Date of Patent:** **** Aug. 8, 2017**

(54) **WHEEL RIM**

(71) Applicants: **Paul Yang**, Baldwin Park, CA (US);
David Tran, Baldwin Park, CA (US)

(72) Inventors: **Paul Yang**, Baldwin Park, CA (US);
David Tran, Baldwin Park, CA (US)

(73) Assignees: **David Tran**, Baldwin Park, CA (US);
Paul Yang, Baldwin Park, CA (US);
Michael Chen, Baldwin Park, CA (US);
Billy Chen, Baldwin Park, CA (US);
Donald Giang, Baldwin Park, CA (US);
Wen Wei, Baldwin Park, CA (US)

(**) Term: **15 Years**

(21) Appl. No.: **29/563,949**

(22) Filed: **May 10, 2016**

(51) **LOC (10) Cl.** **12-16**

(52) **U.S. Cl.**
USPC **D12/209**

(58) **Field of Classification Search**
USPC D12/204–213
CPC B60B 7/00; B60B 7/02; B60B 7/04; B60B
7/01; B60B 7/06; B60B 3/02; B60B 3/04;
B60B 3/06; B60B 3/10; B60B 1/00;
B60B 1/08; B60B 1/10; B60B 1/12
See application file for complete search history.

(56) **References Cited**

U.S. PATENT DOCUMENTS

D232,630 S * 9/1974 Siroonian D12/205
D239,105 S * 3/1976 Siroonian D12/205

D438,164 S * 2/2001 Langerer D12/211
D454,826 S * 3/2002 Kaucher D12/211
D572,186 S * 7/2008 Viandante D12/211
D701,158 S * 3/2014 Hodges D12/211
D708,109 S * 7/2014 Hodges D12/205
D717,224 S * 11/2014 Kim D12/211
D748,560 S * 2/2016 Simm D12/211
D765,007 S * 8/2016 Chung D12/211
D766,154 S * 9/2016 Perini D12/209
D775,046 S * 12/2016 Huang D12/209

* cited by examiner

Primary Examiner — Stacia Cadmus

(74) *Attorney, Agent, or Firm* — Quickpatents, LLC;
Kevin Prince

(57) **CLAIM**

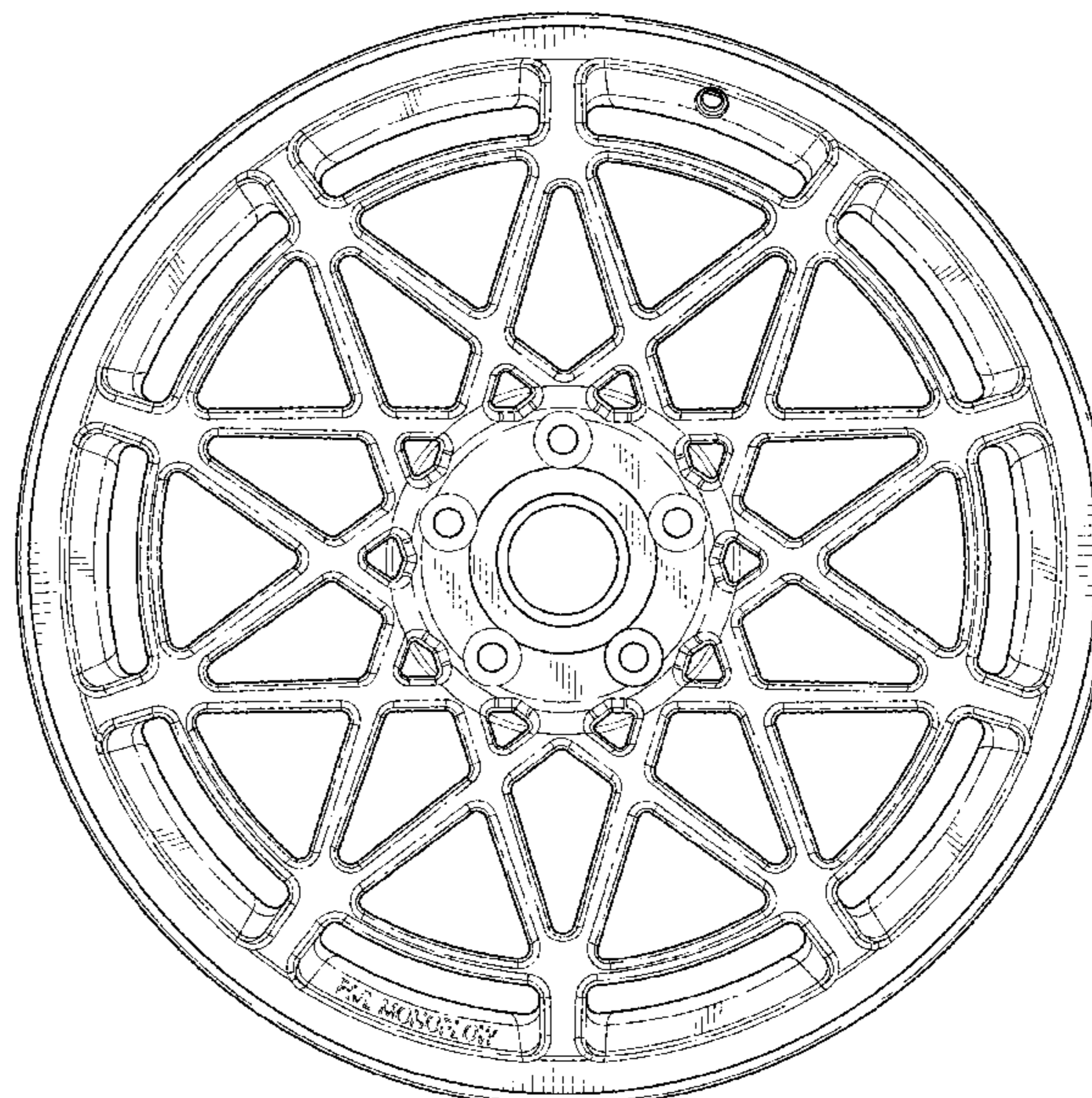
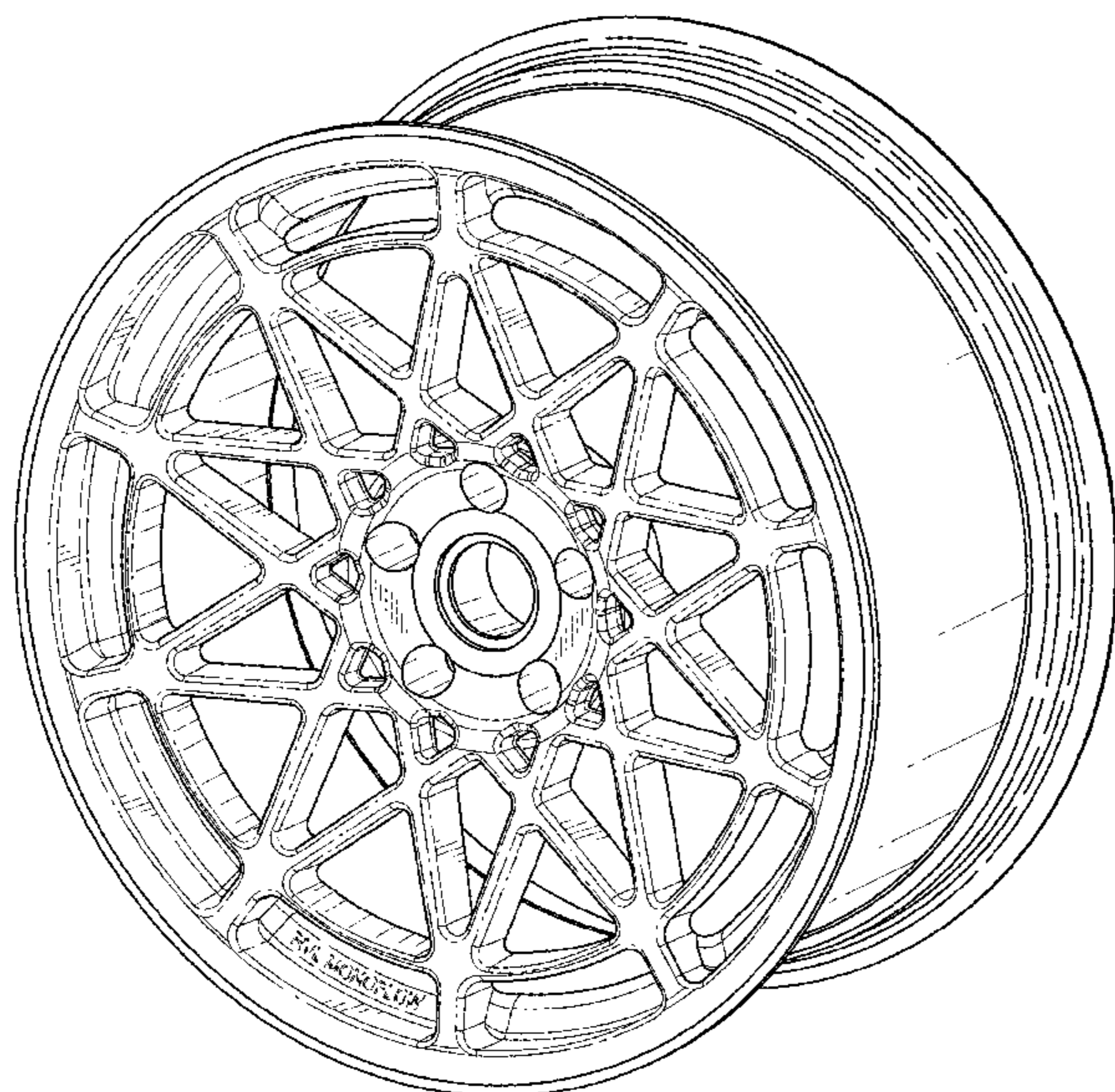
We claim the ornamental design for a wheel rim, as shown and described.

DESCRIPTION

FIG. 1 is a perspective view of a wheel rim, showing our new design;
FIG. 2 is an additional perspective view thereof;
FIG. 3 is a front elevational view thereof; and,
FIG. 4 is a left-side elevational view thereof, the right-side elevational view, top plan view, and bottom plan view all being identical thereto.

The broken line showing of the logo is included for the purpose of illustrating environmental subject matter and forms no part of the claimed design.

1 Claim, 4 Drawing Sheets



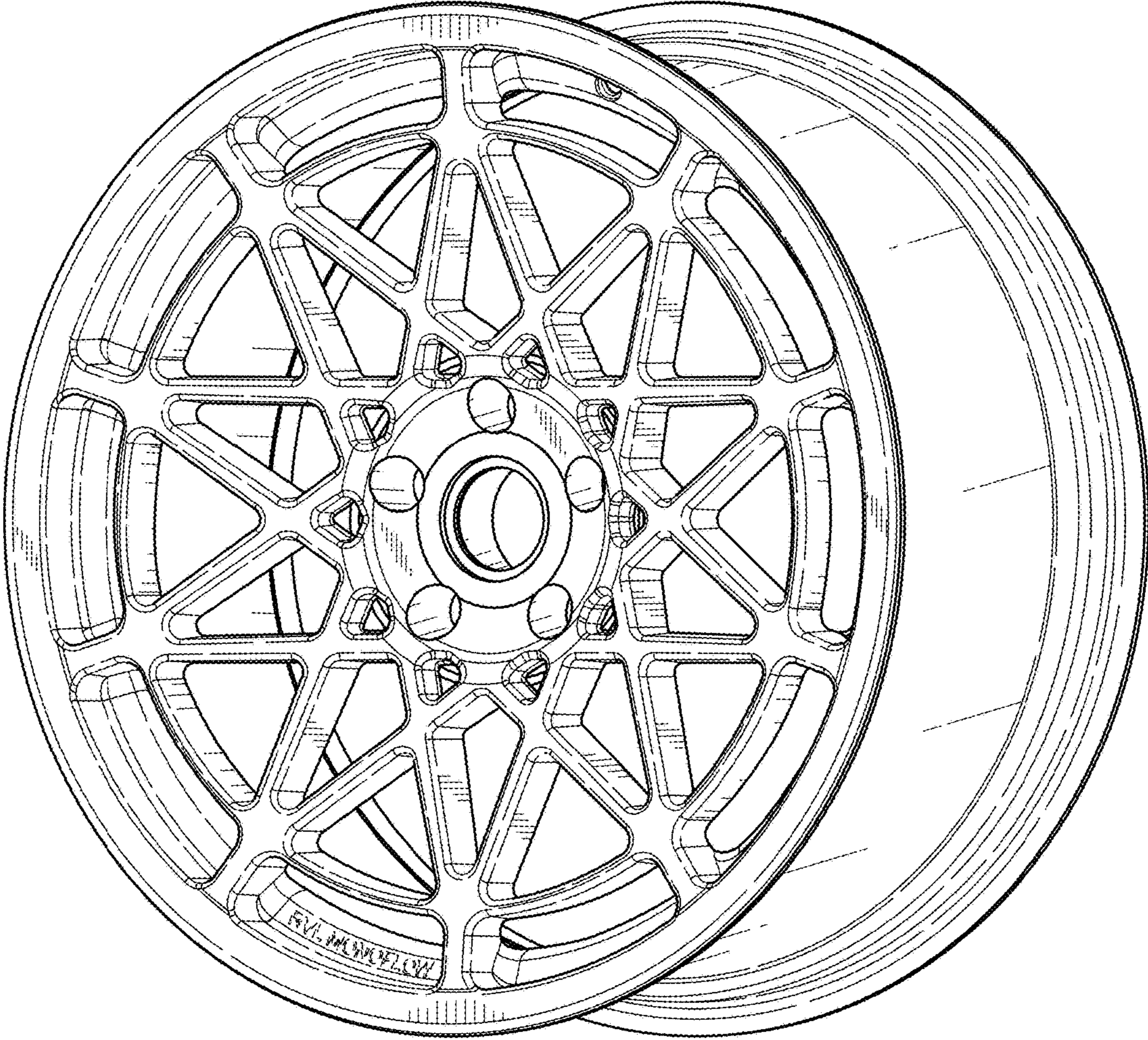


FIG. 1

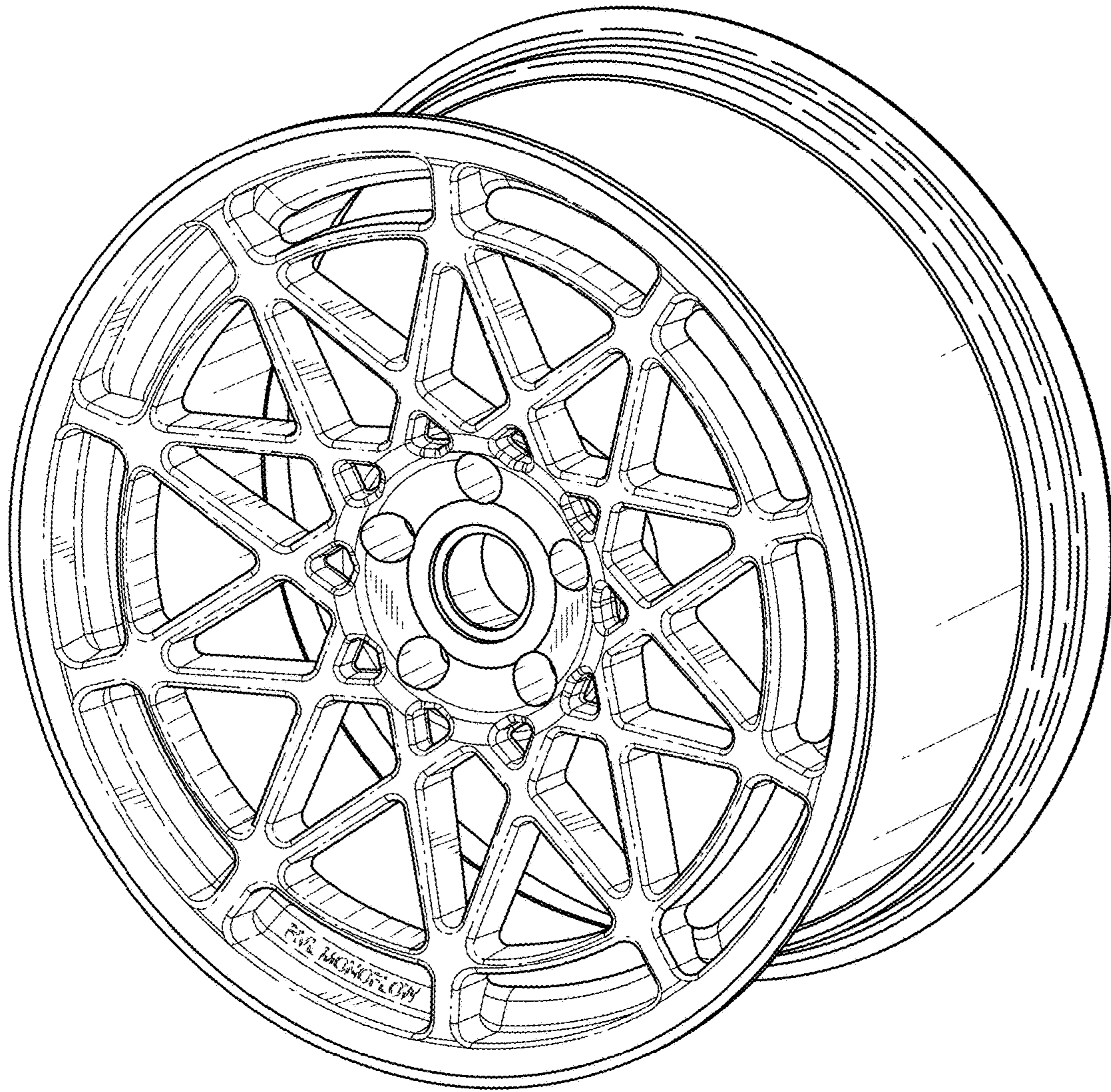


FIG. 2

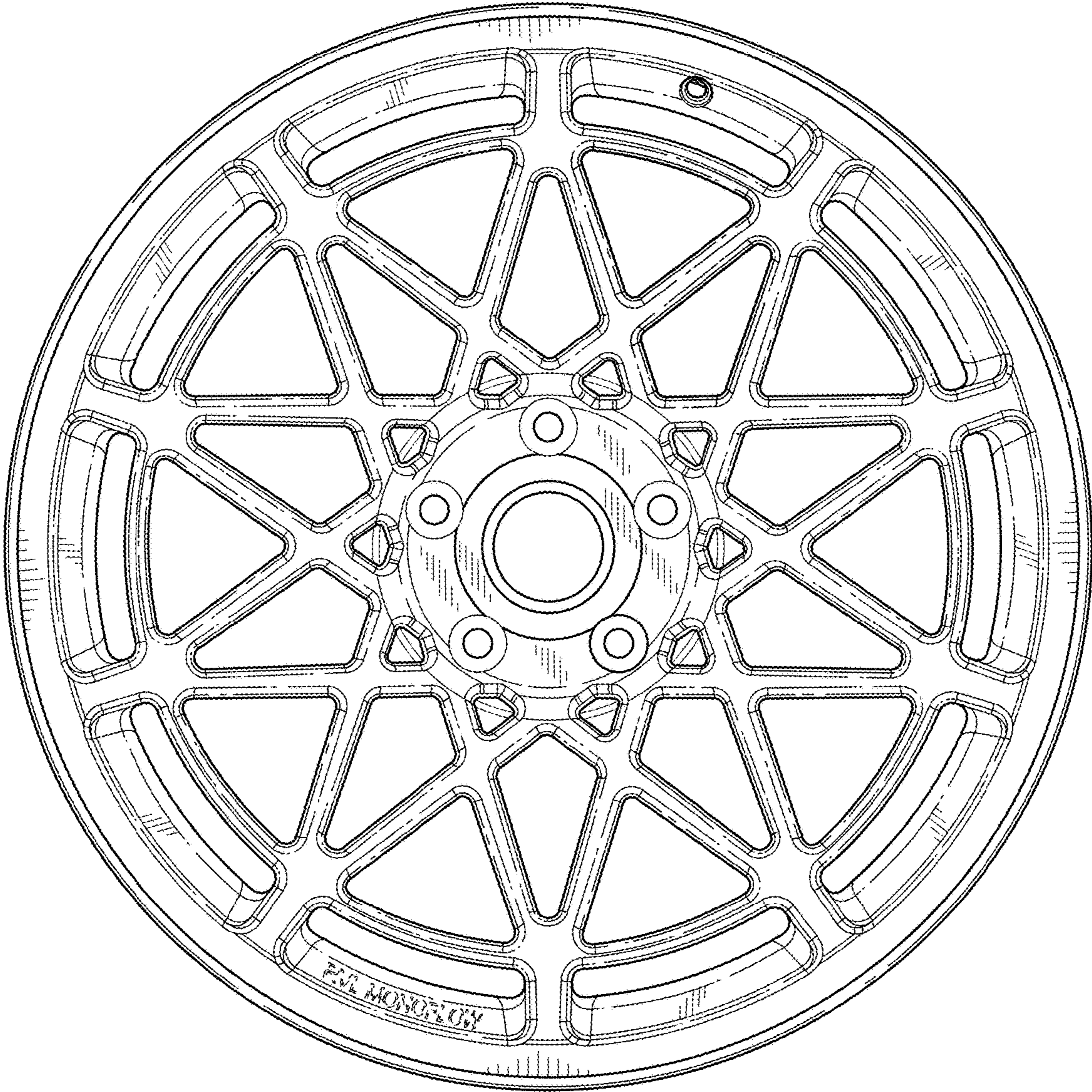


FIG. 3

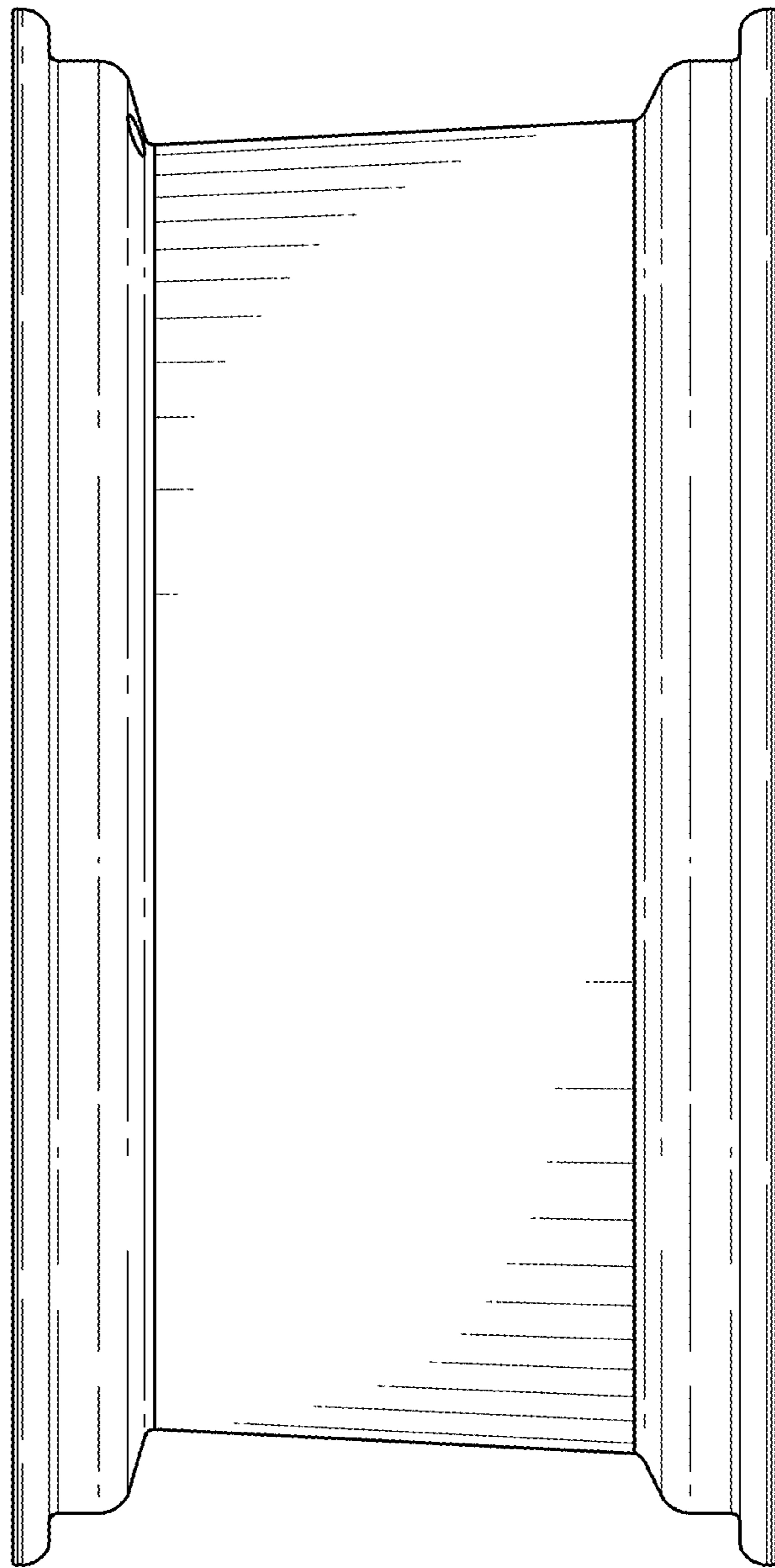


FIG. 4