



US00D793935S

(12) **United States Design Patent** (10) **Patent No.:** **US D793,935 S**  
**Alesi et al.** (45) **Date of Patent:** **\*\* Aug. 8, 2017**

(54) **VEHICLE FLOOR MAT**

FOREIGN PATENT DOCUMENTS

(71) Applicant: **Custom Accessories, Inc.**, Richmond, IL (US)

DE 20013554 U1 3/2001  
EP 1302364 A1 4/2003

(72) Inventors: **Vincent Alesi**, Kildeer, IL (US);  
**Anthony Ferenzi**, Plainfield, IL (US)

OTHER PUBLICATIONS

(73) Assignee: **CUSTOM ACCESSORIES, INC.**,  
Richmond, IL (US)

Armor All Floor SHIELD™, All Season Protection, 4-Piece, Traps  
Dirt, Snow & Water, Trim to Fit Any Vehicle, Carpet Claw™  
Technology; on sale as early as Mar. 15, 2016.

(\*\*) Term: **15 Years**

(Continued)

(21) Appl. No.: **29/571,237**

*Primary Examiner* — George D. Kirschbaum

(22) Filed: **Jul. 15, 2016**

*Assistant Examiner* — Clese Moore, Jr.

(51) **LOC (10) Cl.** ..... **12-16**

(74) *Attorney, Agent, or Firm* — Patzik, Frank &

(52) **U.S. Cl.**

Samotny Ltd.

USPC ..... **D12/203**

(58) **Field of Classification Search**

(57) **CLAIM**

USPC ..... D12/203, 221; D6/582–586, 592–594

The ornamental design for a vehicle floor mat, as shown and  
described.

CPC ..... B60R 13/01; B60N 3/044; B60N 3/04

See application file for complete search history.

**DESCRIPTION**

(56) **References Cited**

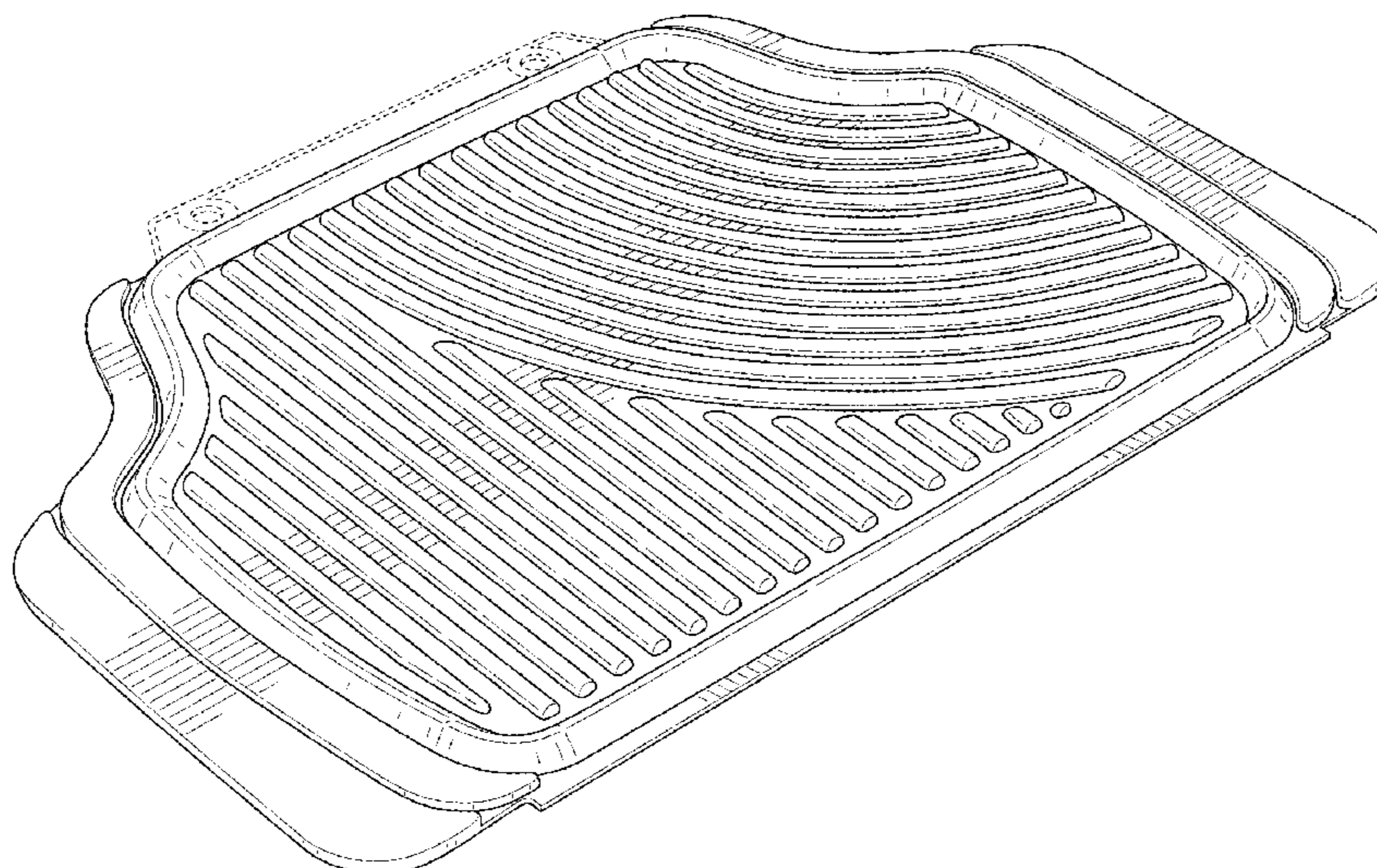
U.S. PATENT DOCUMENTS

D418,800 S *	1/2000	Atkin	.....	D12/221
D425,851 S *	5/2000	Tucker	.....	D12/221
D432,477 S *	10/2000	Gorodetsky	.....	D12/203
D433,367 S *	11/2000	Iacovelli	.....	D12/203
6,155,629 A	12/2000	Sherman		
D436,566 S *	1/2001	Iacovelli	.....	D12/203
D438,152 S *	2/2001	Hussaini	.....	D12/203
D445,748 S *	7/2001	Iacovelli	.....	D12/203
D450,025 S *	11/2001	Lu	.....	D12/203
D454,321 S *	3/2002	Lu	.....	D12/203
D472,511 S *	4/2003	Lu	.....	D12/203
D485,110 S *	1/2004	Theorin	.....	D6/582
D489,306 S	5/2004	Kraines		
D508,449 S *	8/2005	Hussaini	.....	D12/203
D509,781 S *	9/2005	Hussaini	.....	D12/203
D510,553 S *	10/2005	Hussaini	.....	D12/203
D512,358 S *	12/2005	Hussaini	.....	D12/203

(Continued)

FIG. 1 is a front perspective view of the vehicle floor mat of  
a first embodiment of the present invention;  
FIG. 2 is a top plan view thereof;  
FIG. 3 is a bottom plan view thereof;  
FIG. 4 is a front elevation plan view thereof;  
FIG. 5 is a rear elevation plan view thereof;  
FIG. 6 is a left side elevation view thereof;  
FIG. 7 is a right side elevation view thereof;  
FIG. 8 is front perspective view of the vehicle floor mat of  
a second embodiment of the present invention;  
FIG. 9 is a top plan view thereof;  
FIG. 10 is a bottom plan view thereof;  
FIG. 11 is a front elevation plan view thereof;  
FIG. 12 is a rear elevation plan view thereof;  
FIG. 13 is a left side elevation view thereof; and,  
FIG. 14 is a right side elevation view thereof.

**1 Claim, 10 Drawing Sheets**



(56)

**References Cited**

**OTHER PUBLICATIONS**

**U.S. PATENT DOCUMENTS**

D514,493	S	2/2006	MacNeil	
D517,465	S	* 3/2006	Hussaini	D12/203
D522,428	S	6/2006	MacNeil	
D530,250	S	10/2006	Thom	
D542,203	S	5/2007	Kraines	
D569,318	S	5/2008	Kraines	
D608,709	S	* 1/2010	Masanek, Jr.	D12/203
D647,446	S	10/2011	Jeackjuntra et al.	
8,080,302	B2	12/2011	Gifford et al.	
D656,875	S	4/2012	MacNeil et al.	
D659,623	S	5/2012	Lu	
8,277,918	B1	10/2012	Gifford et al.	
8,455,078	B2	6/2013	Gifford et al.	
D697,856	S	* 1/2014	Kingsbury	D12/203
8,685,516	B2	4/2014	Gifford et al.	
D703,976	S	* 5/2014	Mauro	D6/592
D758,760	S	* 6/2016	Mauro	D12/203
2013/0022772	A1	1/2013	Gifford et al.	
2013/0171419	A1	7/2013	Tyler et al.	
2014/0212617	A1	7/2014	Gifford et al.	

English Translation of European Publication No. EP1302364 (HV Developpement, SARL), Published Apr. 16, 2003.

English Translation of German Publication No. DE20013554 (APA GmbH & Co Kg Otto Bauder), Published Mar. 8, 2001.

Vincent Alesi, et al., co-pending U.S. Appl. No. 29/571,234, filed Jul. 15, 2016, entitled "Vehicle Floor Mat," and having a common inventor and assignee in the present application.

Vincent Alesi, et al., co-pending U.S. Appl. No. 29/571,235, filed Jul. 15, 2016, entitled "Vehicle Floor Mat," and having a common inventor and assignee in the present application.

Vincent Alesi, et al., co-pending U.S. Appl. No. 29/571,236, filed Jul. 15, 2016, entitled "Vehicle Floor Mat," and having a common inventor and assignee in the present application.

Vincent Alesi, et al., co-pending U.S. Appl. No. 29/571,238, filed Jul. 15, 2016, entitled "Vehicle Floor Mat," and having a common inventor and assignee in the present application.

\* cited by examiner

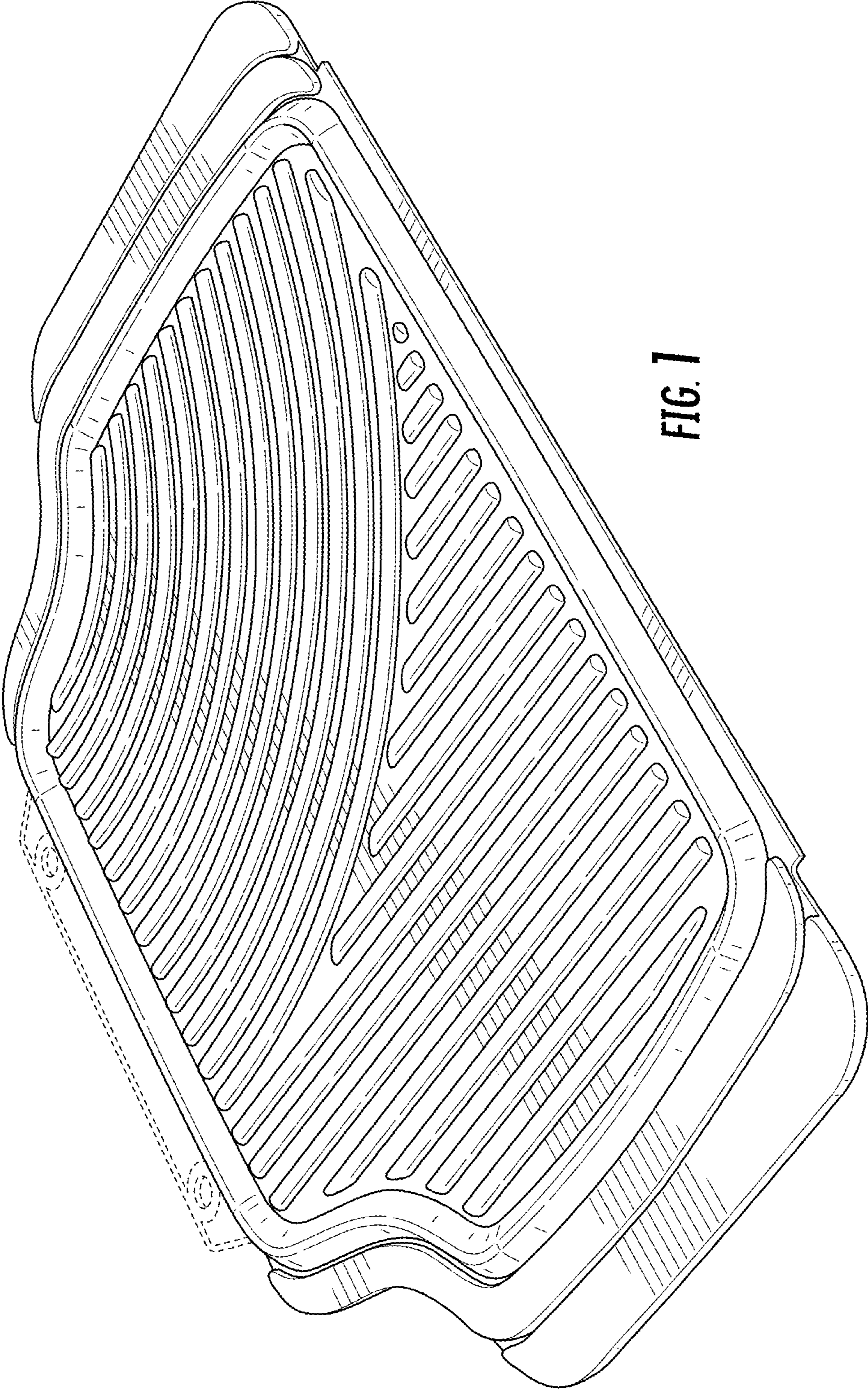


FIG. 1

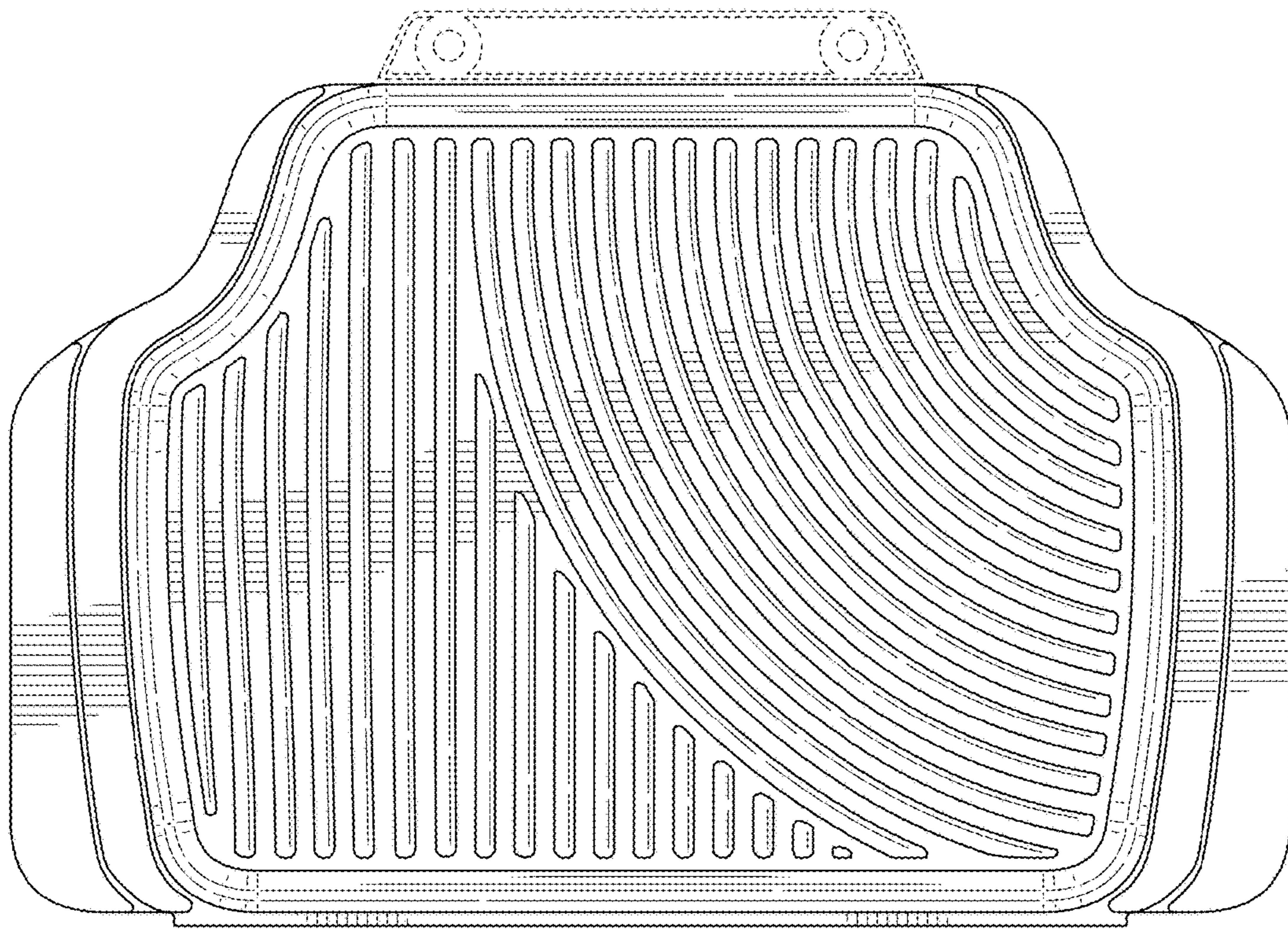
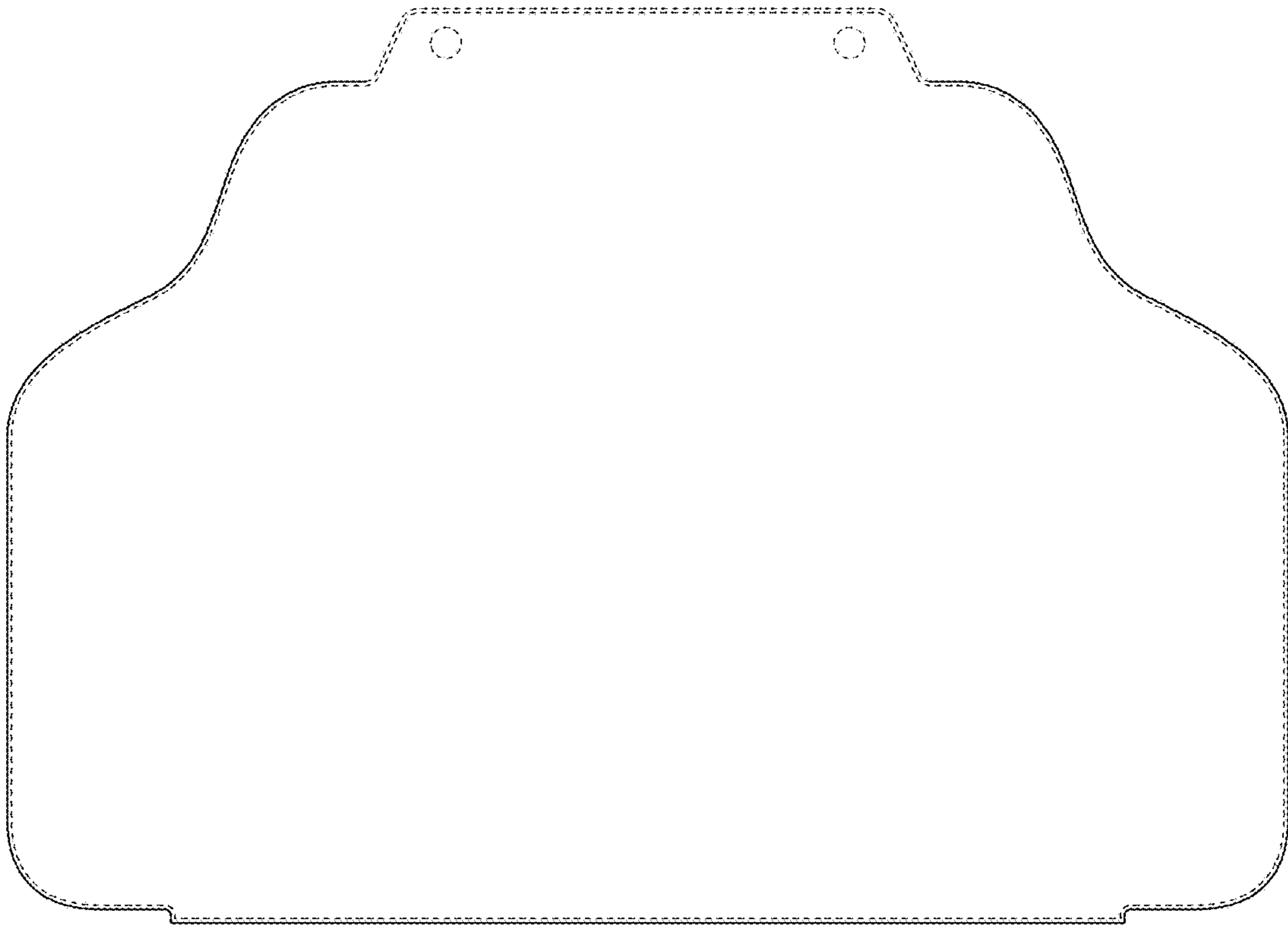


FIG. 2



**FIG. 3**

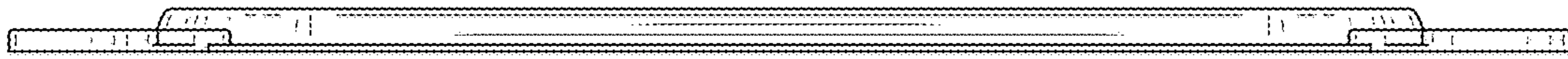


FIG. 4

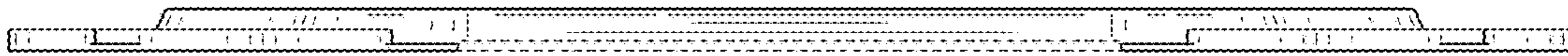
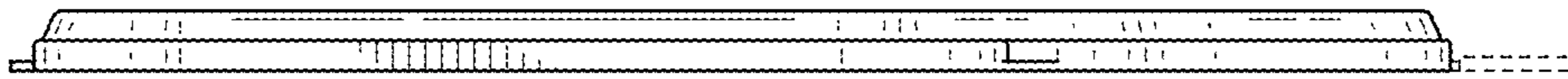
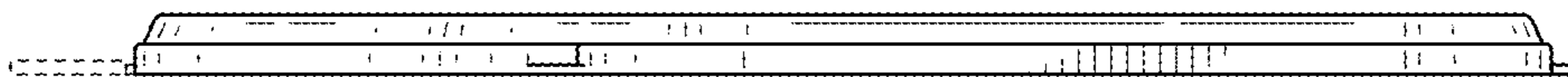


FIG. 5



**FIG. 6**



**FIG. 7**

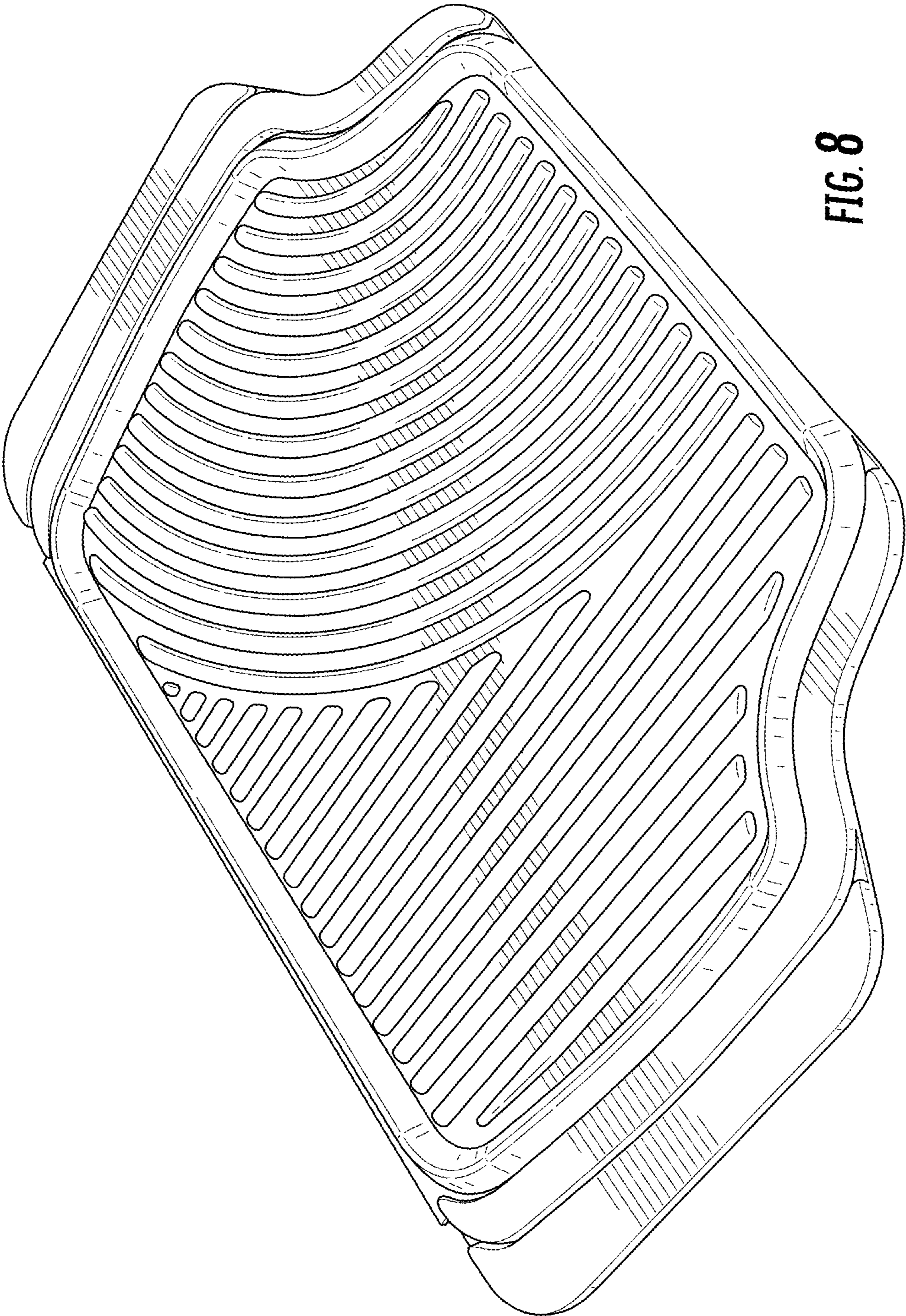


FIG. 8



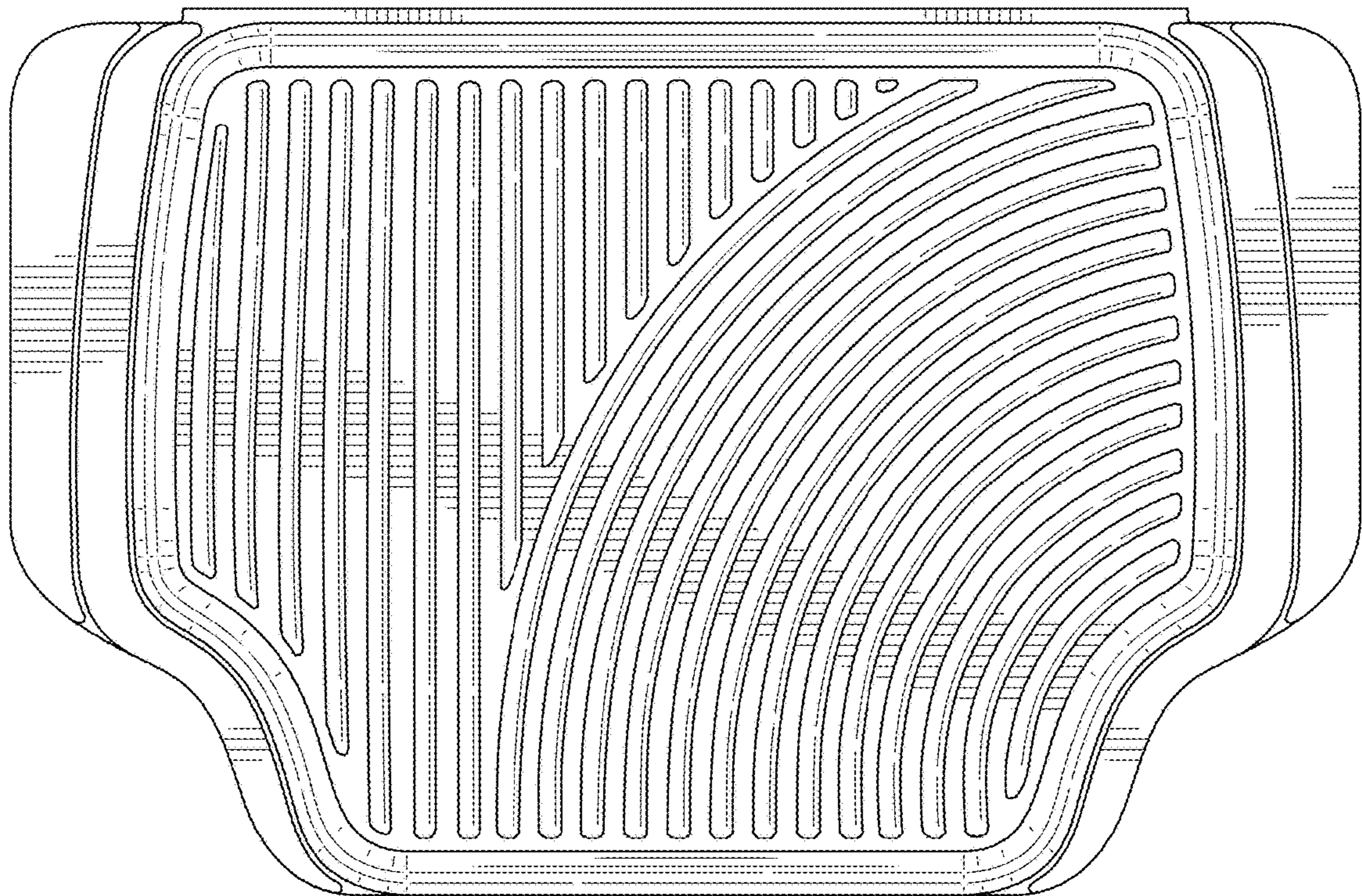
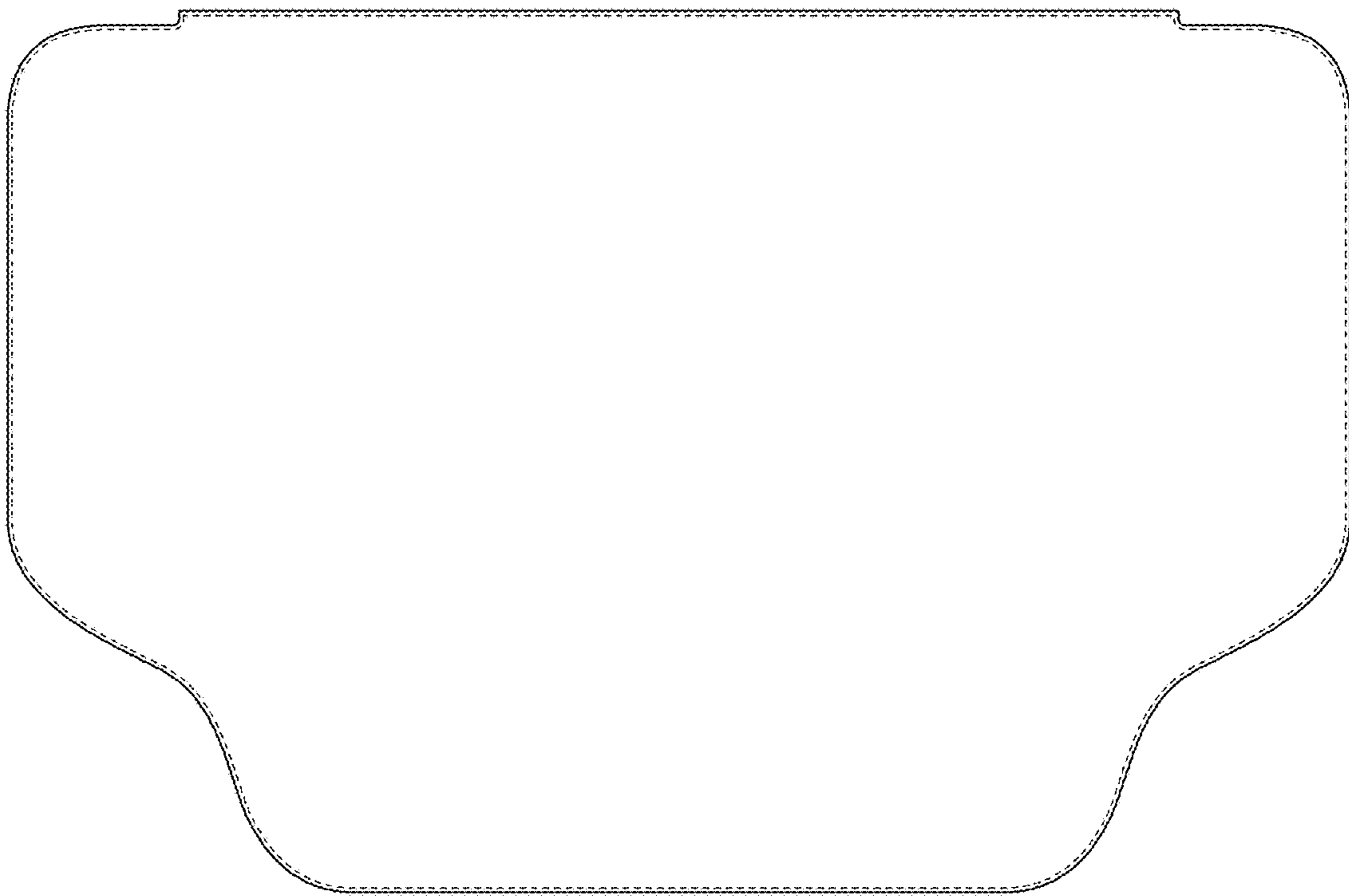


FIG. 9



**FIG. 10**

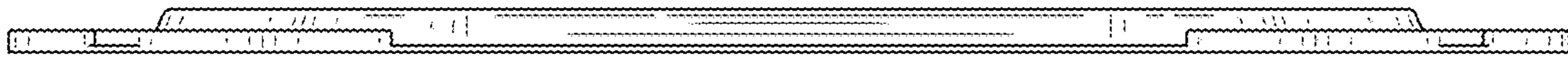


FIG. 11

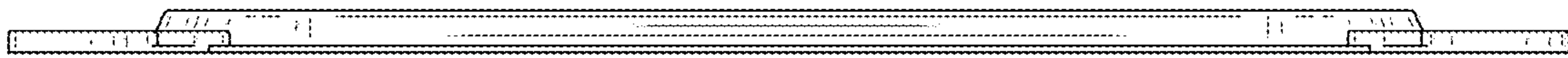
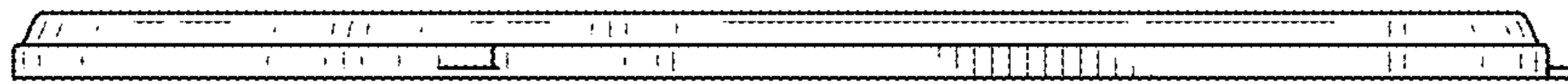
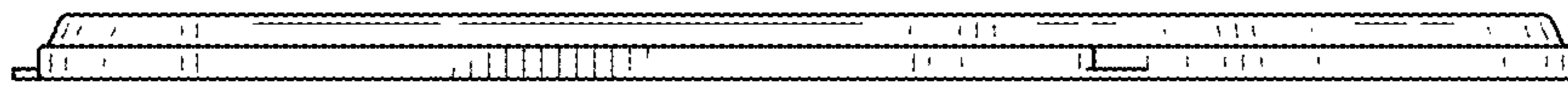


FIG. 12



**FIG. 13**



**FIG. 14**