



US00D793932S

(12) **United States Design Patent**
Yoon et al.

(10) **Patent No.:** **US D793,932 S**

(45) **Date of Patent:** **** Aug. 8, 2017**

(54) **COVER FOR INSTRUMENT PANEL OF A CAR**

(71) Applicant: **Samsung Electronics Co., Ltd.**,
Suwon-si (KR)

(72) Inventors: **Kihyun Yoon**, Seoul (KR); **Jonghyuk Park**, Seoul (KR)

(73) Assignee: **Samsung Electronics Co., Ltd.**,
Suwon-si (KR)

(**) Term: **15 Years**

(21) Appl. No.: **29/566,717**

(22) Filed: **Jun. 2, 2016**

(30) **Foreign Application Priority Data**

Dec. 9, 2015 (KR) 30-2015-0062789

(51) **LOC (10) Cl.** **12-16**

(52) **U.S. Cl.**
USPC **D12/192**

(58) **Field of Classification Search**
USPC D12/192, 415, 110, 114; D15/17, 28;
D10/46, 98, 102-103, 122-127
CPC G08G 1/096883; G01C 21/16; G01C
21/3688; G01C 21/30
See application file for complete search history.

(56) **References Cited**

U.S. PATENT DOCUMENTS

D733,021 S * 6/2015 Takagi D12/192
D741,765 S * 10/2015 Nakamura D12/192
D757,619 S * 5/2016 Da Silveira D12/192
D762,152 S * 7/2016 Inagaki D12/192
D763,154 S * 8/2016 Chang D12/192

D763,155 S * 8/2016 Sahs D12/192
D770,953 S * 11/2016 Tanaka D12/192
D771,541 S * 11/2016 Shouno D12/192
D775,023 S * 12/2016 Ahn D12/192
D776,029 S * 1/2017 Callum D12/192
D776,590 S * 1/2017 Womack, Sr. D12/192
D778,796 S * 2/2017 Gommier D12/192
D780,080 S * 2/2017 Ding D12/192

FOREIGN PATENT DOCUMENTS

EM 000996731-0001 11/2009
JP D1337042 8/2008

* cited by examiner

Primary Examiner — Katrina A Betton

(74) *Attorney, Agent, or Firm* — NSIP Law

(57) **CLAIM**

We claim the ornamental design for a cover for instrument panel of a car, as shown and described.

DESCRIPTION

FIG. 1 is a front perspective view of a cover for instrument panel of a car showing our new design;
FIG. 2 is a front view thereof;
FIG. 3 is a rear view thereof;
FIG. 4 is a left-side view thereof;
FIG. 5 is a right-side view thereof;
FIG. 6 is a top view thereof;
FIG. 7 is a bottom view thereof; and,
FIG. 8 is a cross-sectional view taken through line 8-8 of FIG. 6.

The broken lines in the figures show portions of the cover for instrument panel of a car which form no part of the claimed design.

1 Claim, 5 Drawing Sheets

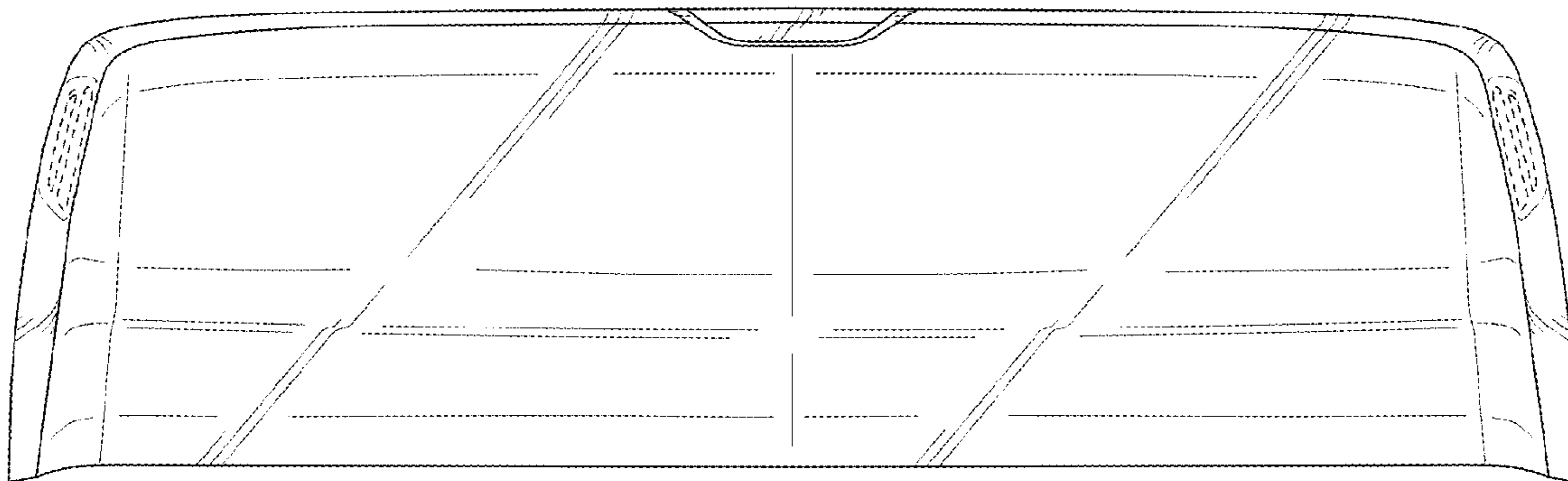


FIG. 1

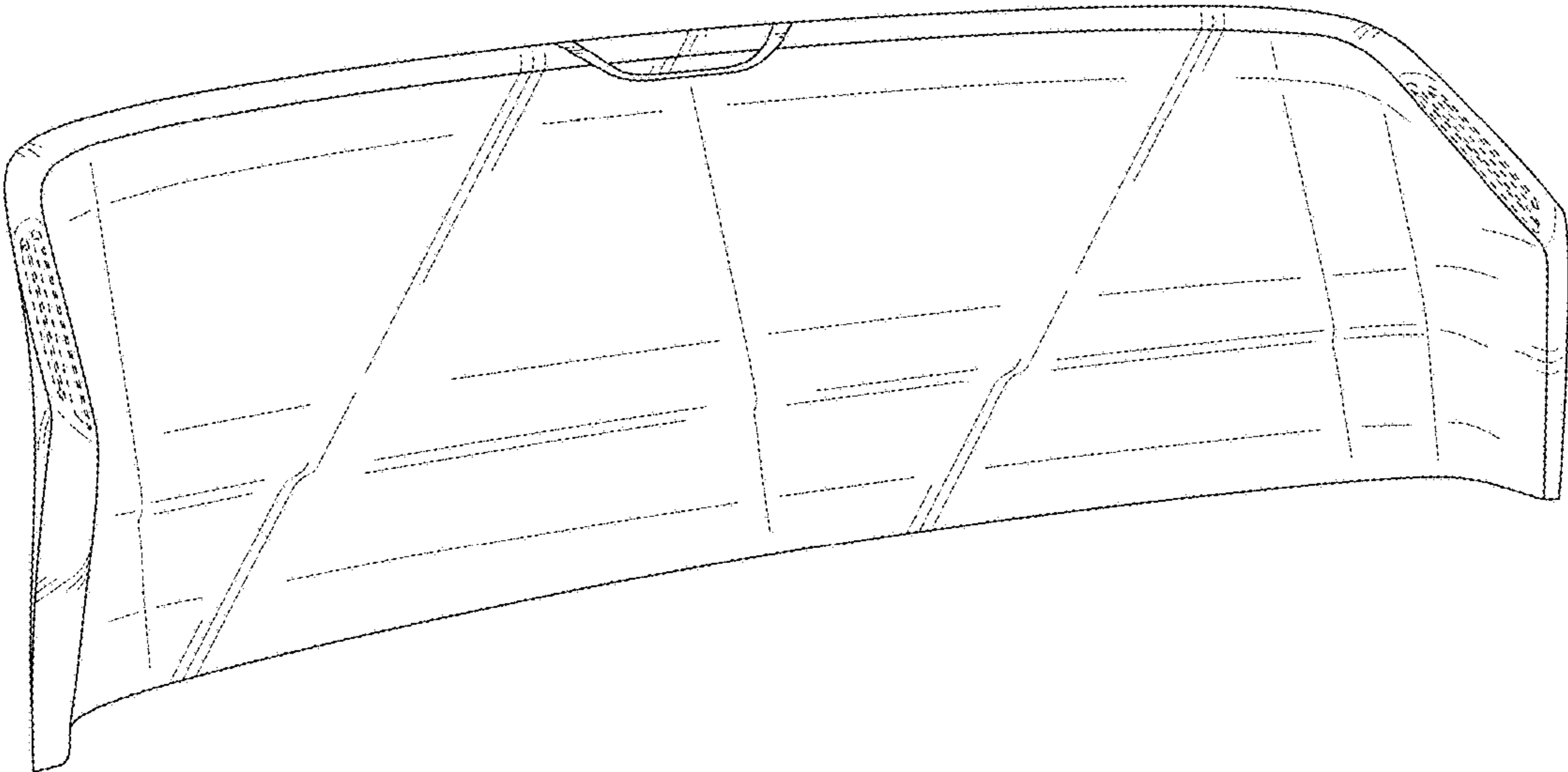


FIG. 2

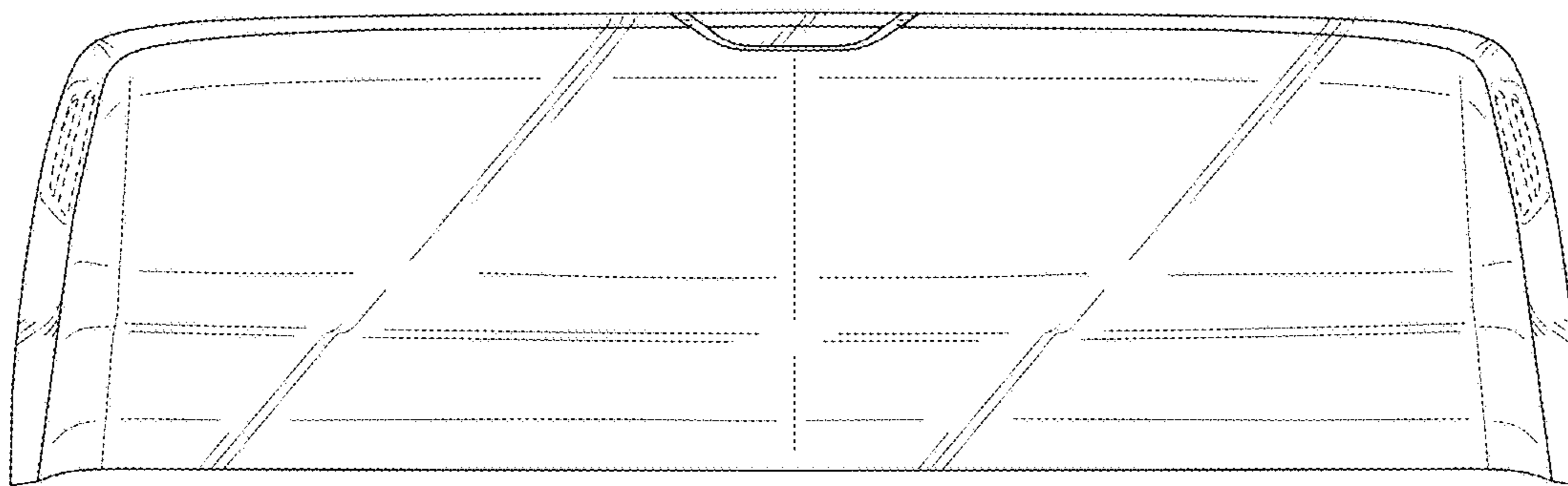


FIG. 3

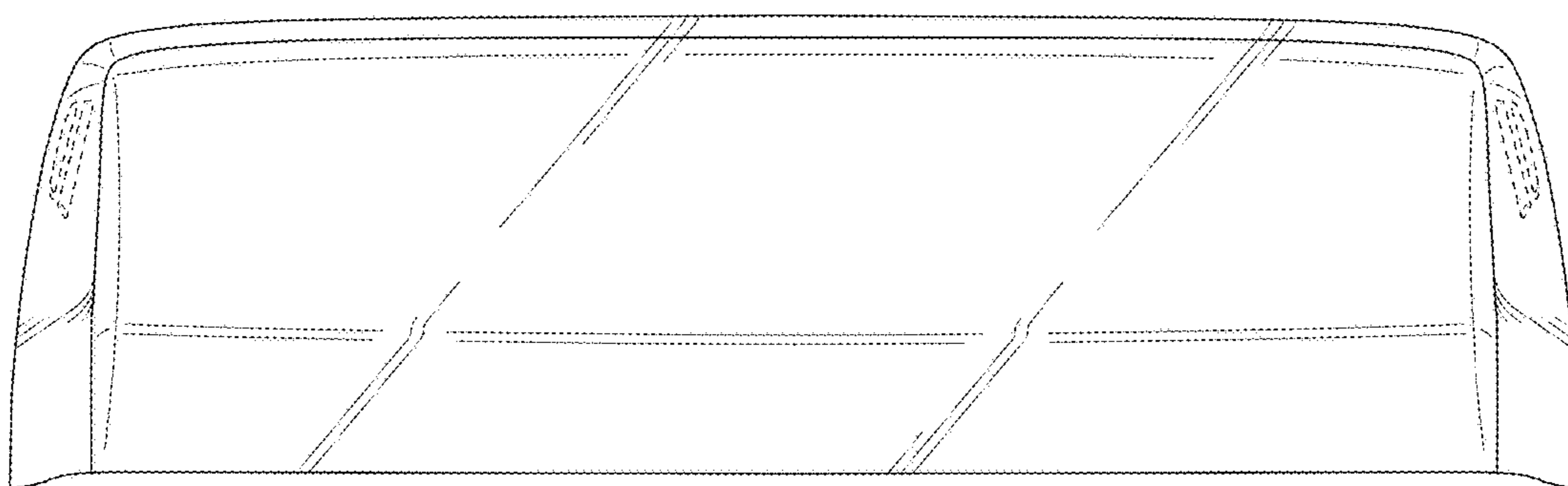


FIG. 4

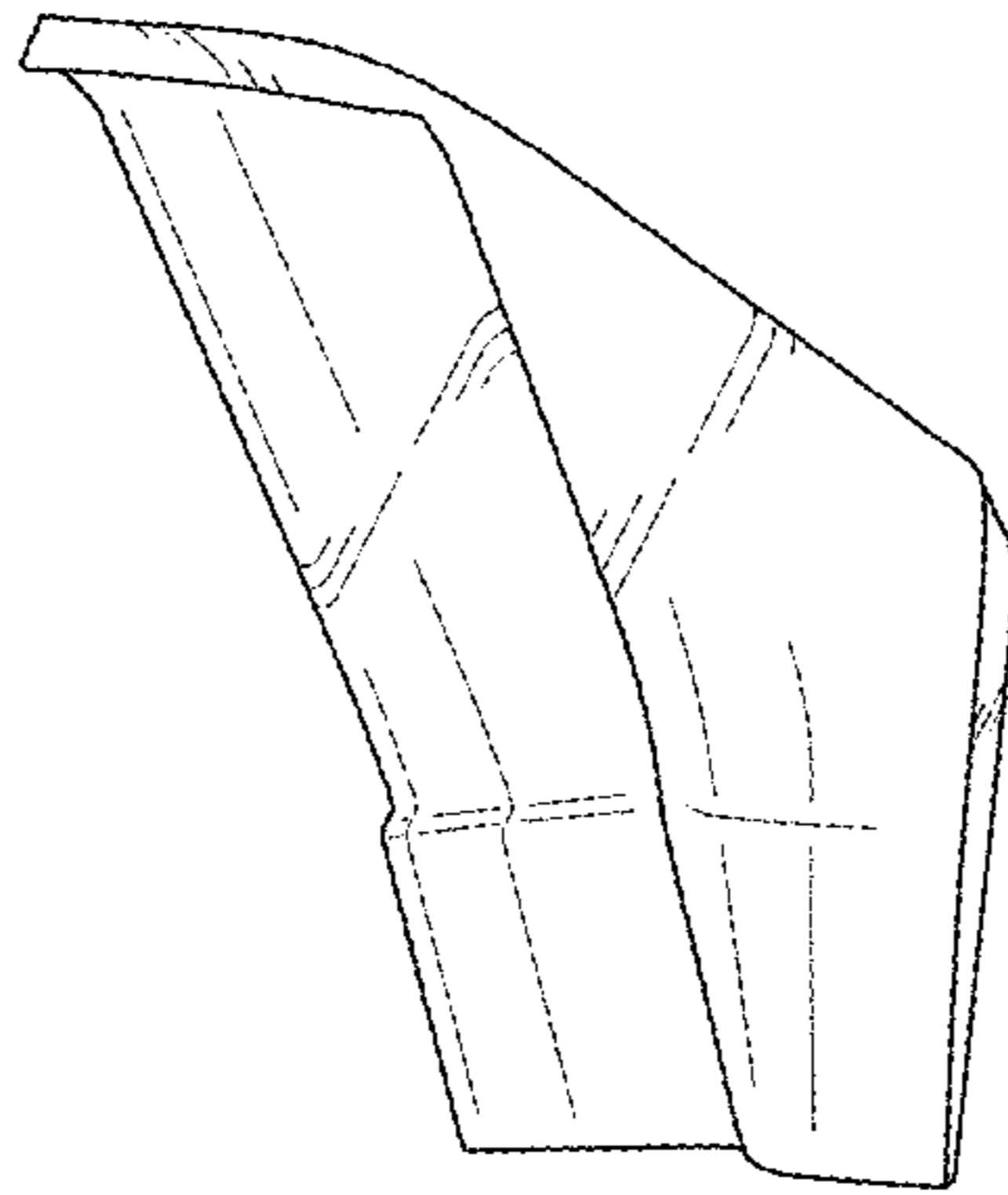


FIG. 5

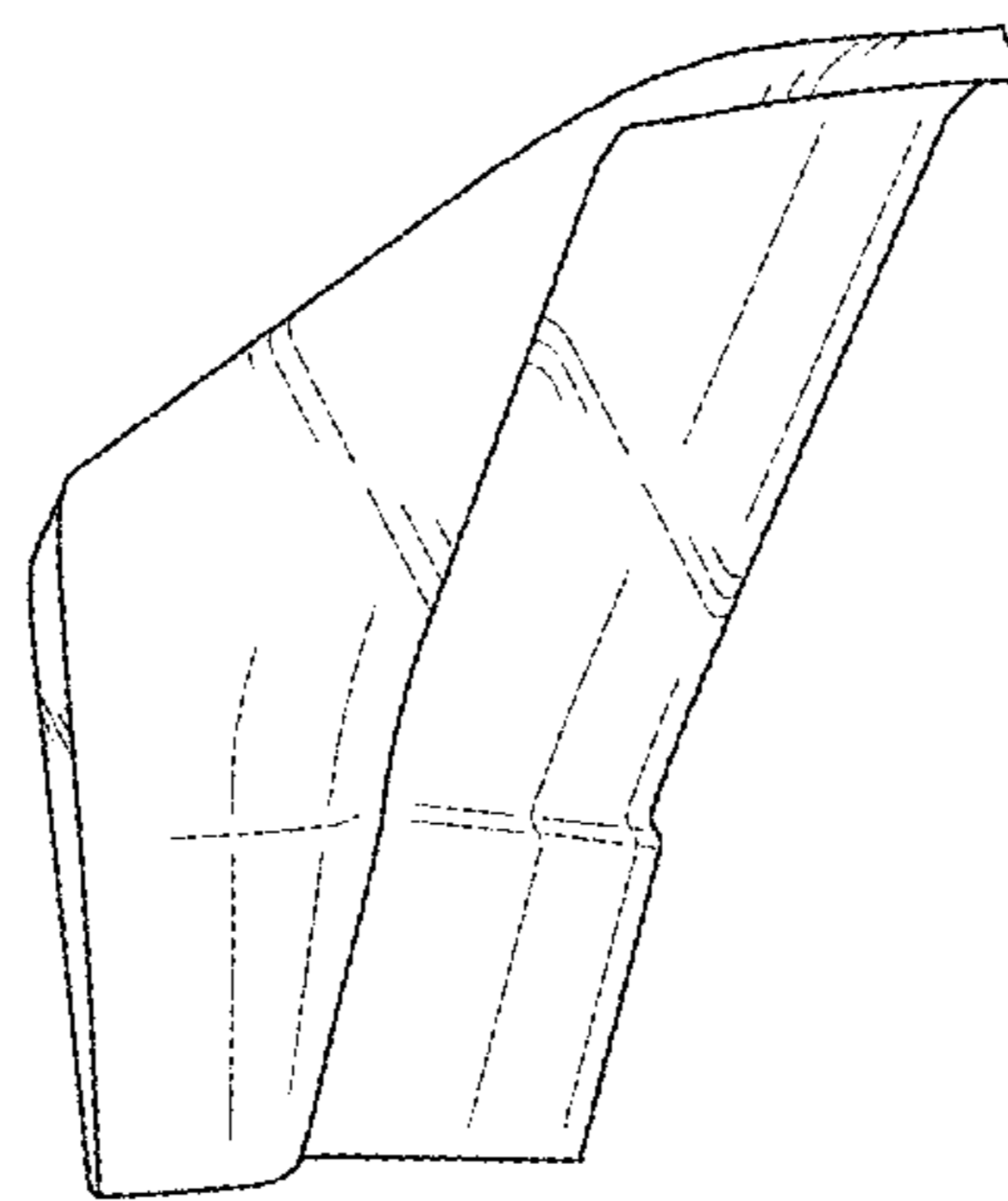


FIG. 6

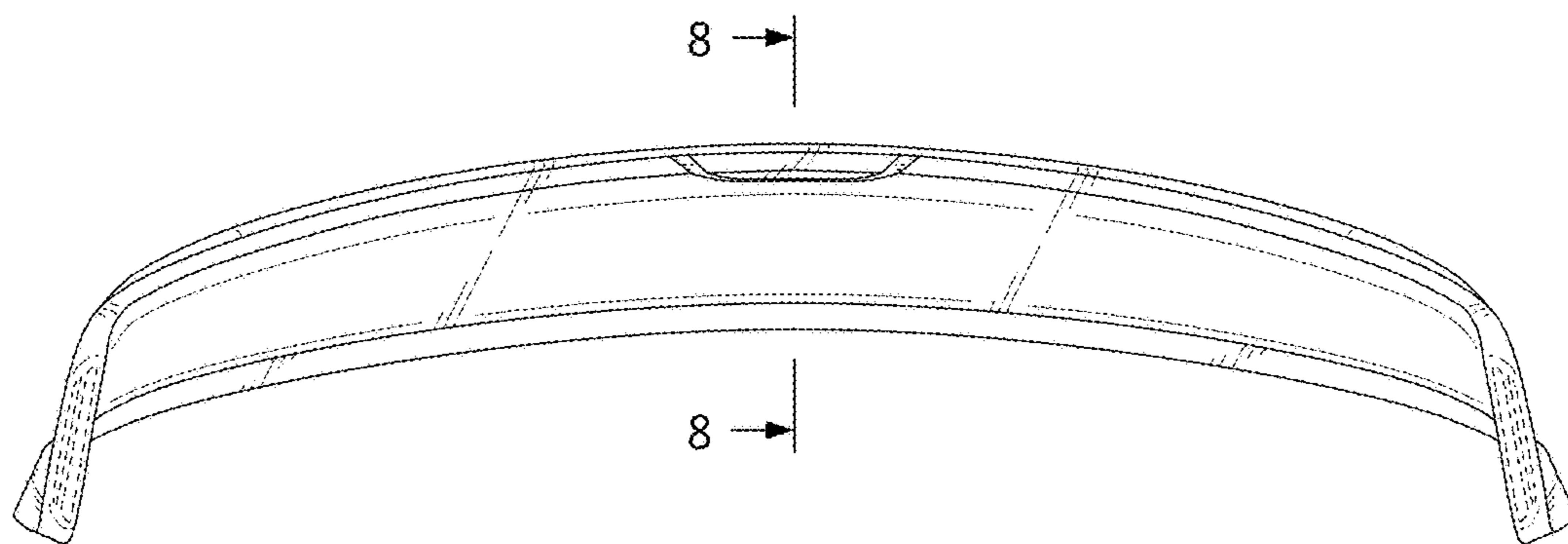


FIG. 7

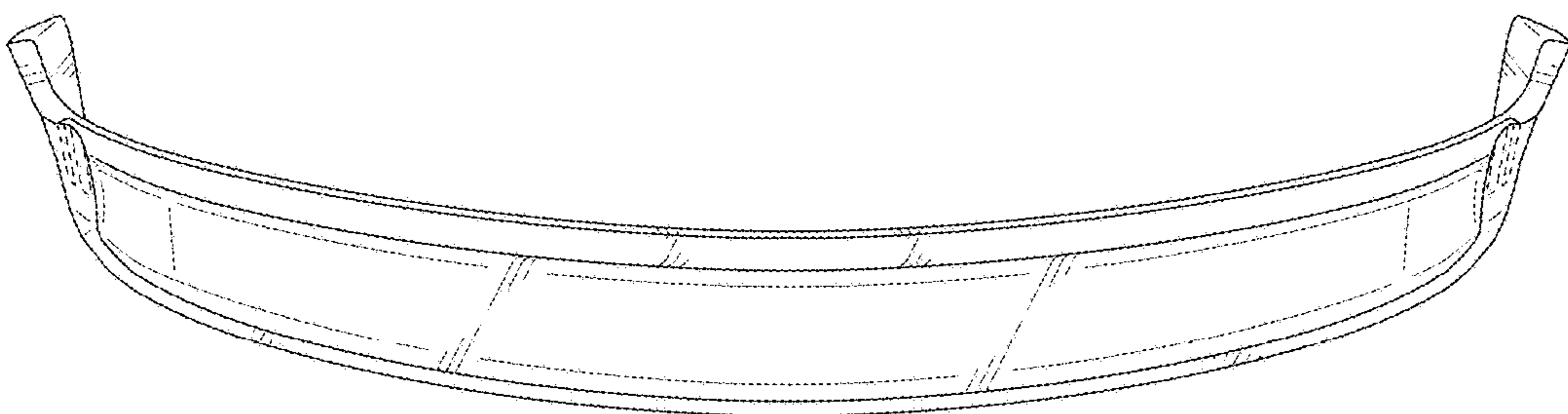


FIG. 8

