



US00D793927S

(12) **United States Design Patent** (10) **Patent No.:** **US D793,927 S**  
**Potter** (45) **Date of Patent:** **\*\* Aug. 8, 2017**

(54) **BUMPER FOR VEHICLE**  
(71) Applicant: **Volvo Car Corporation**, Göteborg (SE)  
(72) Inventor: **Steve Potter**, Kareby (SE)  
(73) Assignee: **Volvo Car Corporation**, Göteborg (SE)  
(\*\*) Term: **15 Years**

D714,196 S \* 9/2014 Mays ..... D12/169  
D715,707 S \* 10/2014 Johnson ..... D12/169  
D718,678 S \* 12/2014 Ishizuka ..... D12/169  
D721,625 S \* 1/2015 George ..... D12/169  
D740,728 S \* 10/2015 Gunnarson ..... D12/169  
D746,188 S \* 12/2015 Nakagawa ..... D12/169  
D748,549 S \* 2/2016 Battams ..... D12/190  
D750,539 S \* 3/2016 Iwauchi ..... D12/169  
D754,576 S \* 4/2016 Nissl ..... D12/169  
D766,784 S \* 9/2016 Arroba ..... D12/169

(21) Appl. No.: **29/565,156**  
(22) Filed: **May 18, 2016**

**OTHER PUBLICATIONS**

Image: Volvo XC90, released to public: May 27, 2014.

(30) **Foreign Application Priority Data**

\* cited by examiner

Nov. 24, 2015 (EM) ..... 002875096-0008  
(51) **LOC (10) Cl.** ..... **12-16**  
(52) **U.S. Cl.**  
USPC ..... **D12/169**  
(58) **Field of Classification Search**  
USPC .... D12/169, 216, 90-92, 86, 171, 196, 163;  
293/102, 113, 115, 117, 120; 296/180.1,  
296/180.2  
CPC ..... B60R 19/02; B60R 19/04; B62D 25/08  
See application file for complete search history.

*Primary Examiner* — Melody N Brown  
(74) *Attorney, Agent, or Firm* — Tucker Ellis LLP

(57) **CLAIM**

The ornamental design for a bumper for vehicle, as shown and described.

(56) **References Cited**

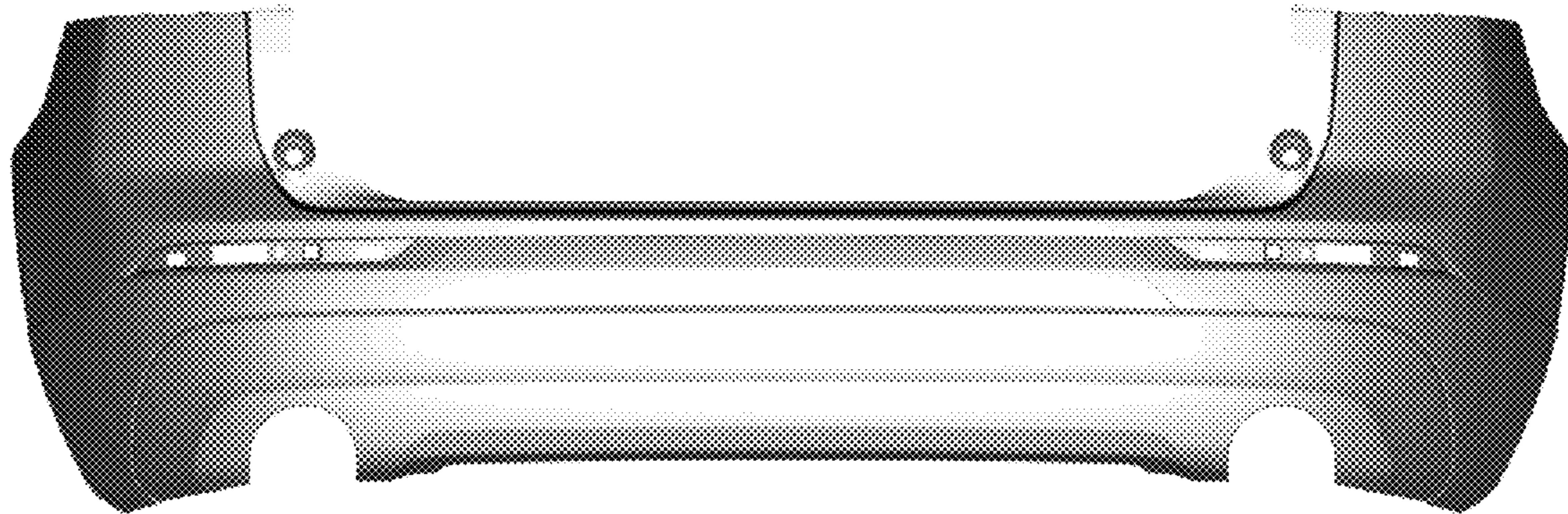
**DESCRIPTION**

**U.S. PATENT DOCUMENTS**

D698,290 S \* 1/2014 Mori ..... D12/169  
D703,592 S \* 4/2014 Kwon ..... D12/169  
D713,304 S \* 9/2014 Tsuchida ..... D12/169

FIG. 1 is a perspective view of a bumper for vehicle showing my new design.  
FIG. 2 is a front view thereof.  
FIG. 3 is a rear view thereof.  
FIG. 4 is a left side view thereof.  
FIG. 5 is a right side view thereof.  
FIG. 6 is a top view thereof; and,  
FIG. 7 is a bottom view thereof.

**1 Claim, 4 Drawing Sheets**



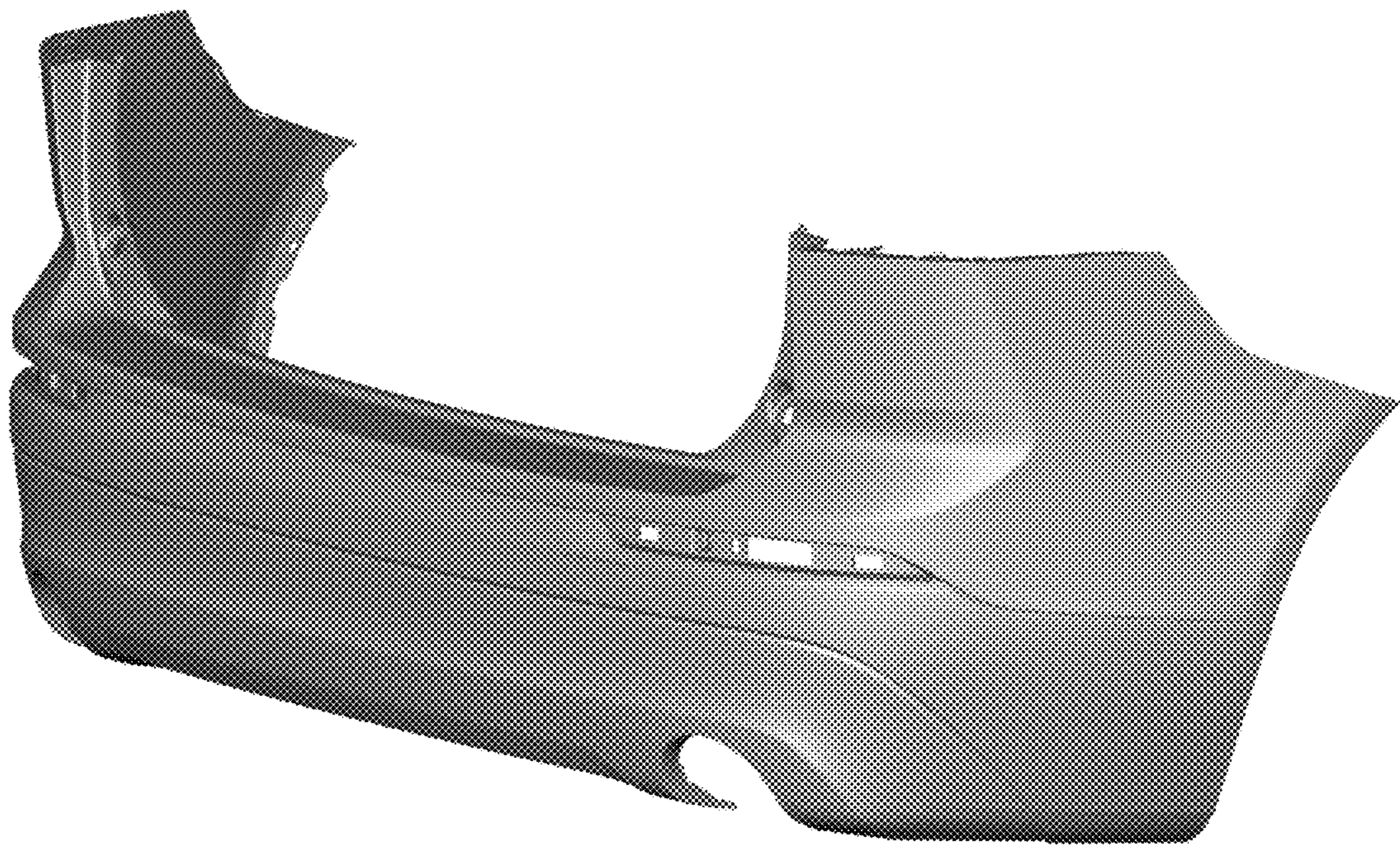


FIG. 1

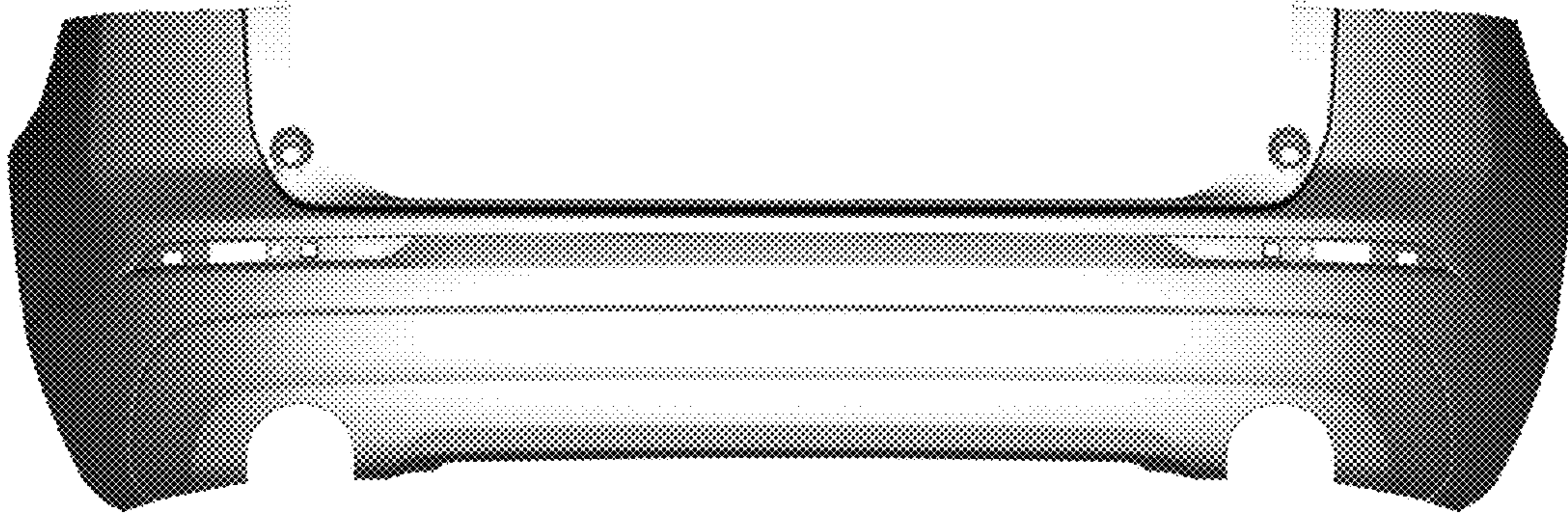


FIG. 2

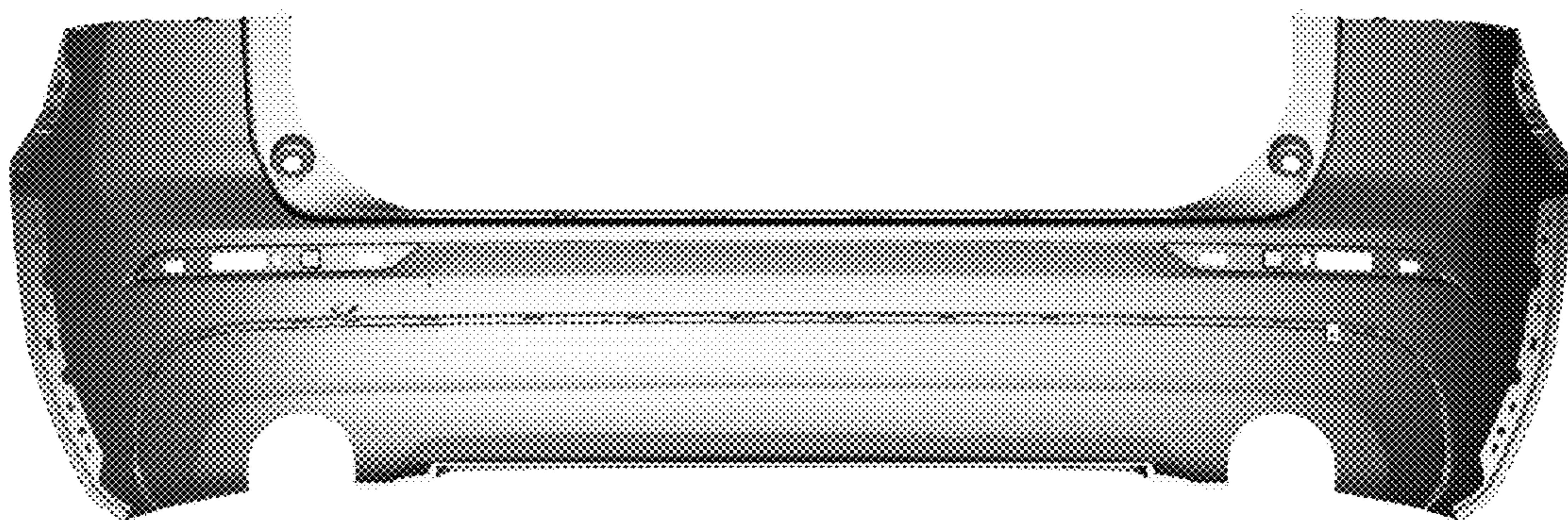


FIG. 3

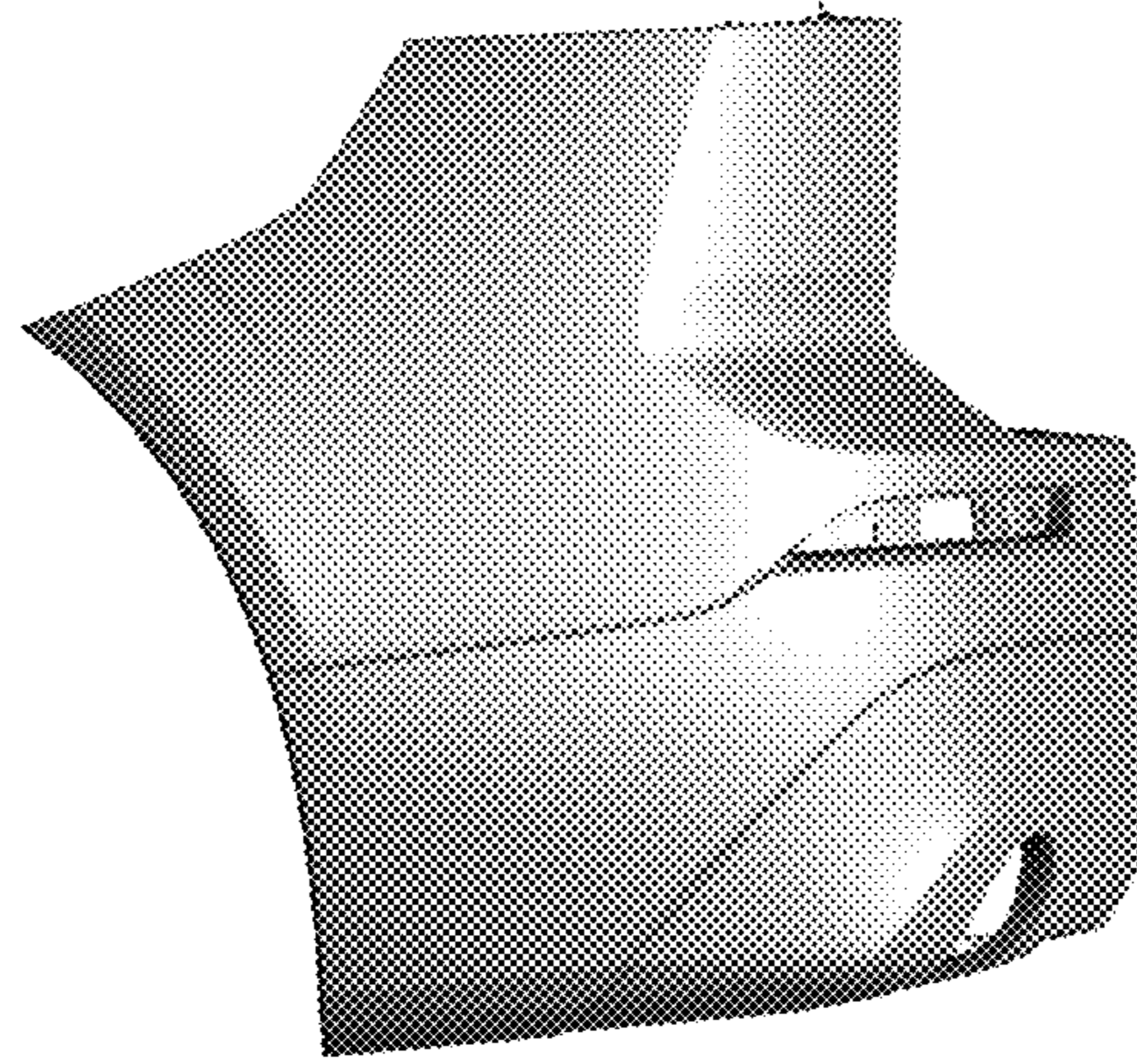


FIG. 4

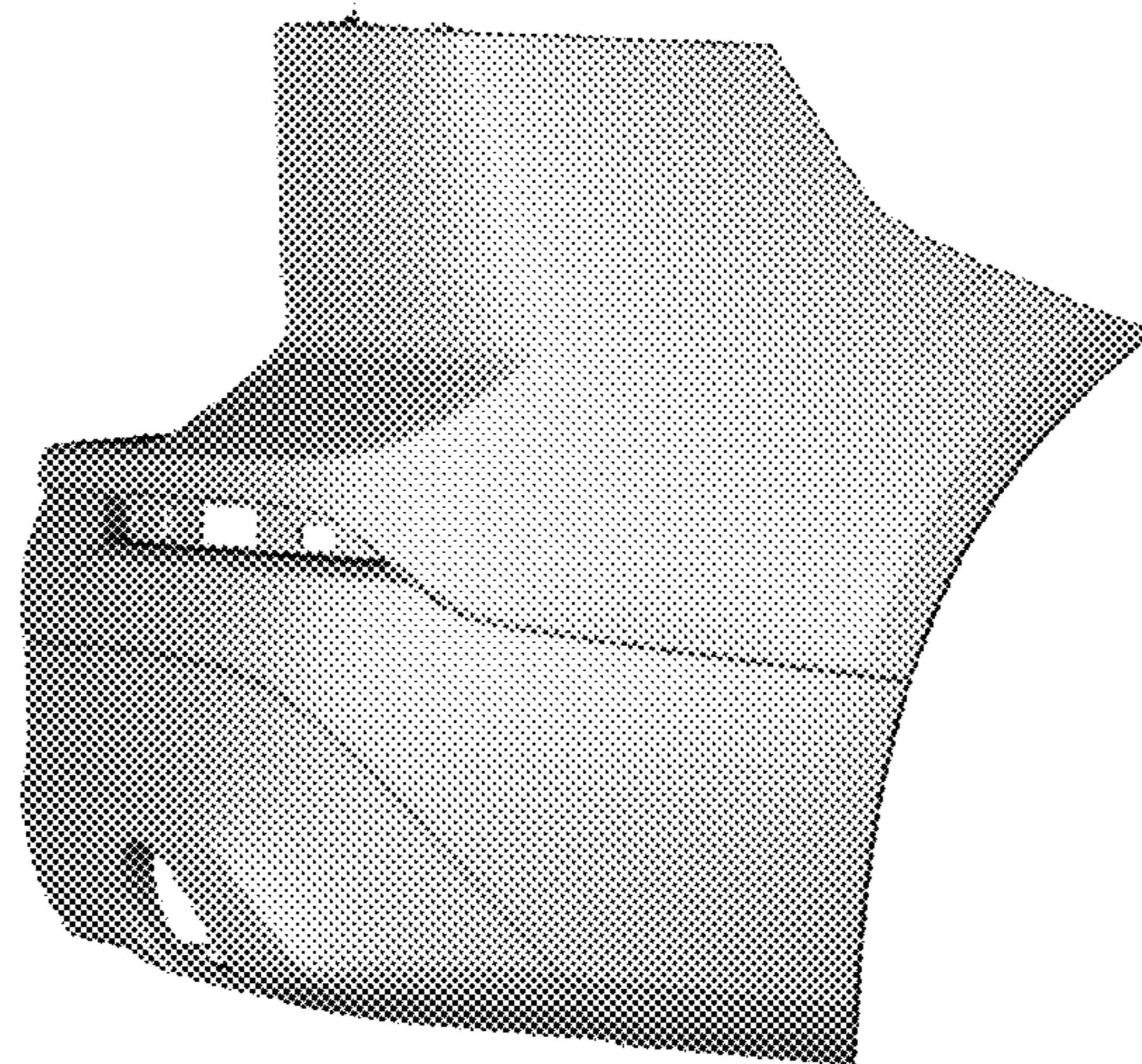


FIG. 5

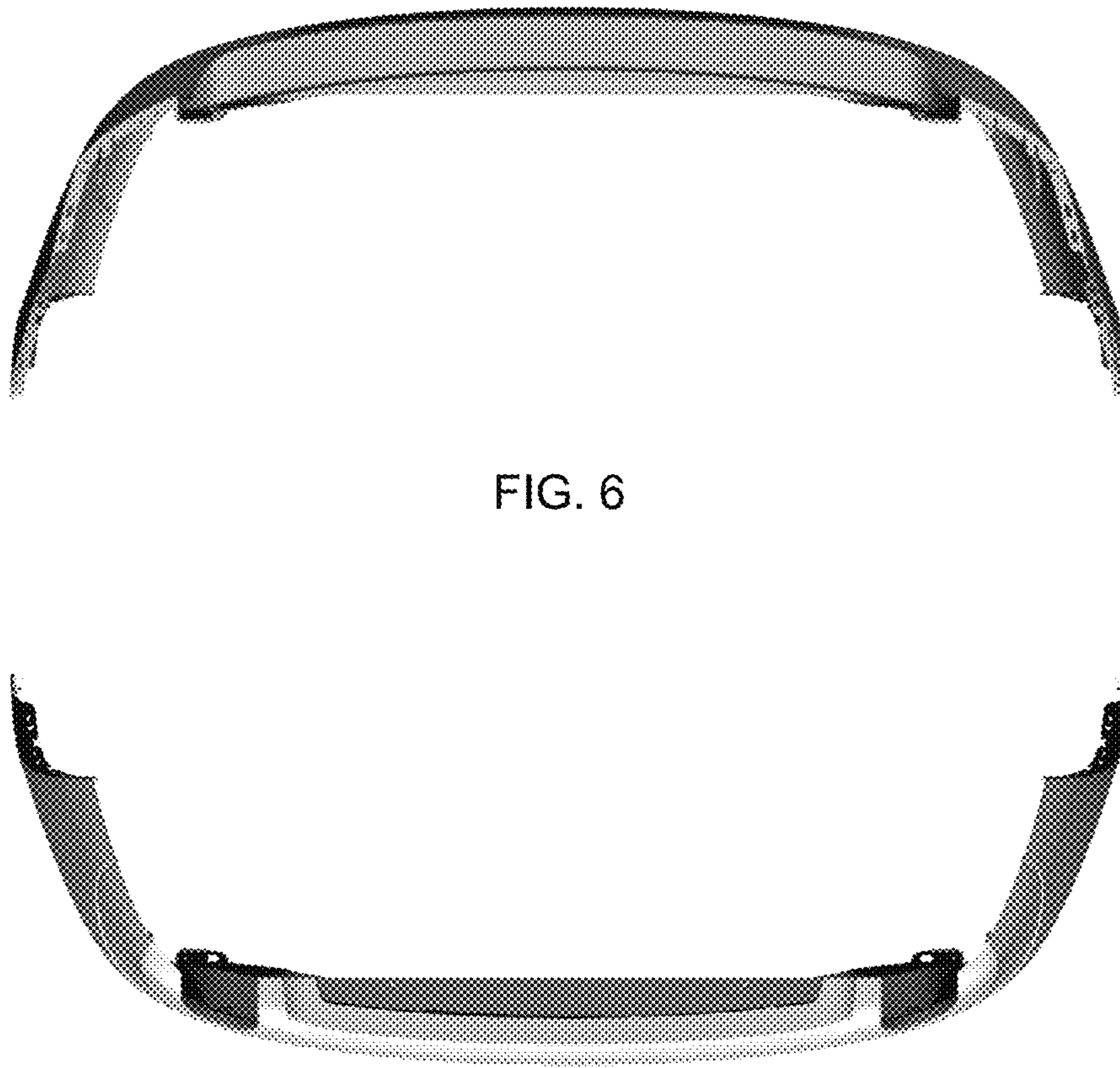


FIG. 6

FIG. 7