



US00D793926S

(12) **United States Design Patent**
Potter

(10) **Patent No.:** **US D793,926 S**

(45) **Date of Patent:** **** Aug. 8, 2017**

(54) **BUMPER FOR VEHICLE**

(71) Applicant: **Volvo Car Corporation**, Göteborg (SE)

(72) Inventor: **Steve Potter**, Kareby (SE)

(73) Assignee: **Volvo Car Corporation**, Göteborg (SE)

(**) Term: **15 Years**

(21) Appl. No.: **29/565,152**

(22) Filed: **May 18, 2016**

(30) **Foreign Application Priority Data**

Nov. 24, 2015 (EM) 002875096-0007

(51) **LOC (10) Cl.** **12-16**

(52) **U.S. Cl.**
USPC **D12/169**

(58) **Field of Classification Search**

USPC D12/169, 216, 90-92, 86, 171, 196, 163;
293/102, 113, 115, 117, 120; 296/180.1,
296/180.2

CPC B60R 19/02; B60R 19/04; B62D 25/08

See application file for complete search history.

(56) **References Cited**

U.S. PATENT DOCUMENTS

D749,999 S * 2/2016 Curic D12/169
D760,132 S * 6/2016 Choi D12/169

D760,631 S * 7/2016 Choi D12/169
D775,010 S * 12/2016 Kim D12/169
D775,559 S * 1/2017 Varga D12/169
D784,867 S * 4/2017 Sahara D12/169

OTHER PUBLICATIONS

Image: Volvo Concept Coupe, released to public: Aug. 29, 2013.

* cited by examiner

Primary Examiner — Melody N Brown

(74) *Attorney, Agent, or Firm* — Tucker Ellis LLP

(57) **CLAIM**

The ornamental design for a bumper for vehicle, as shown and described.

DESCRIPTION

FIG. 1 is a perspective view of a bumper for vehicle showing my new design.

FIG. 2 is a front view thereof.

FIG. 3 is a rear view thereof.

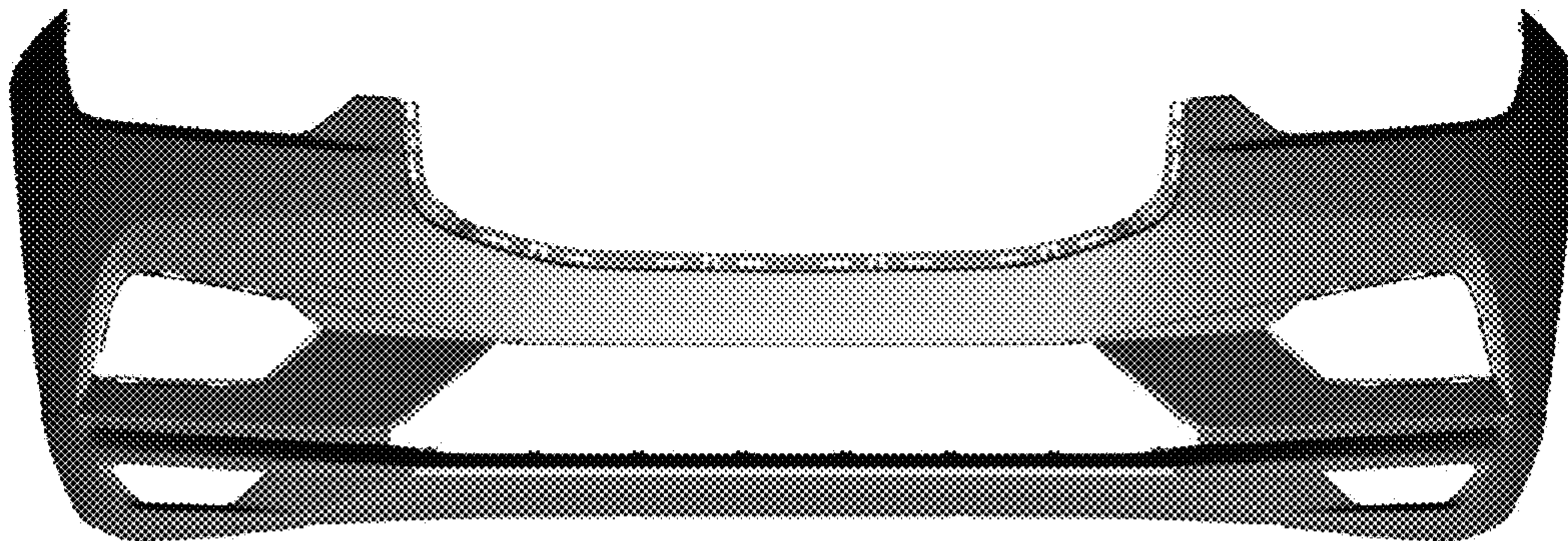
FIG. 4 is a left side view thereof.

FIG. 5 is a right side view thereof.

FIG. 6 is a top view thereof; and,

FIG. 7 is a bottom view thereof.

1 Claim, 3 Drawing Sheets



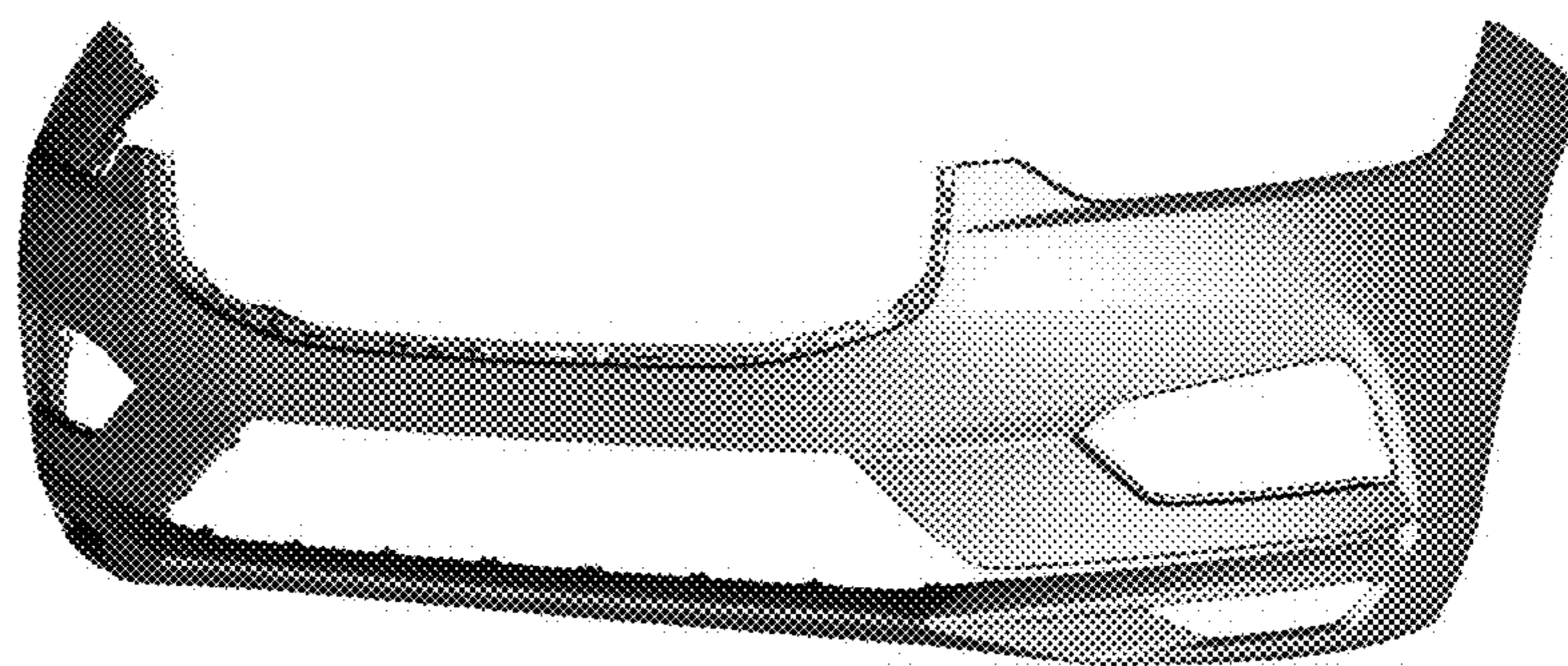


FIG. 1

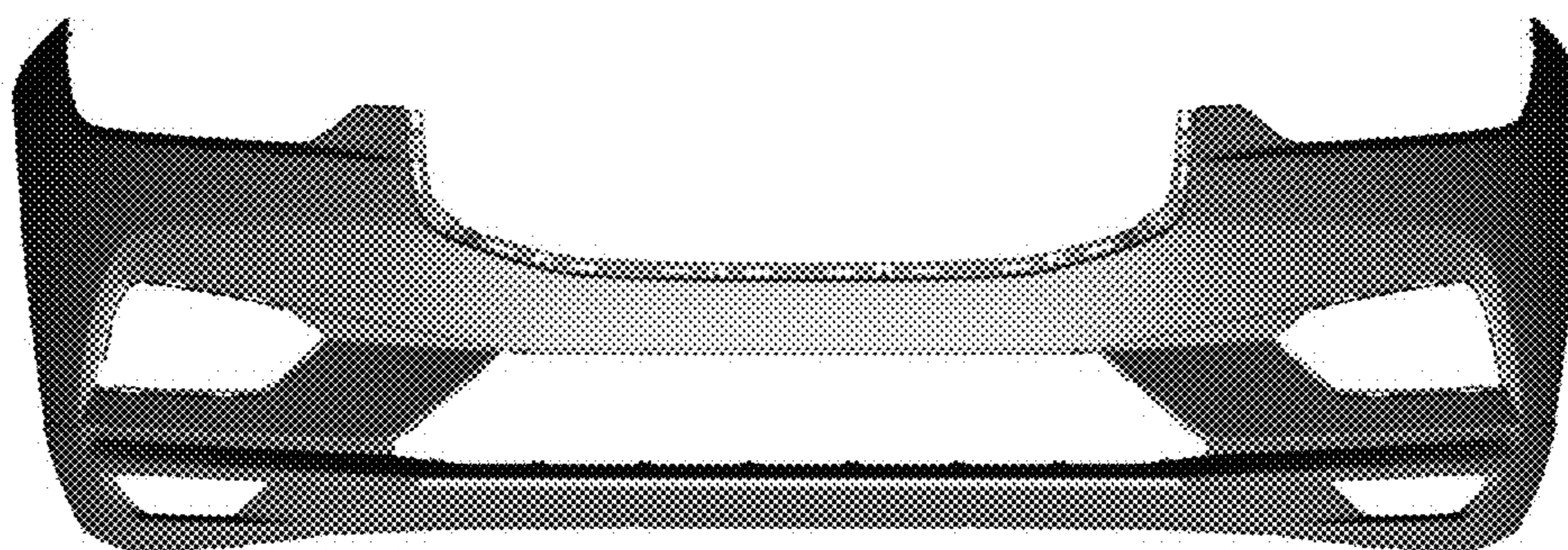


FIG. 2

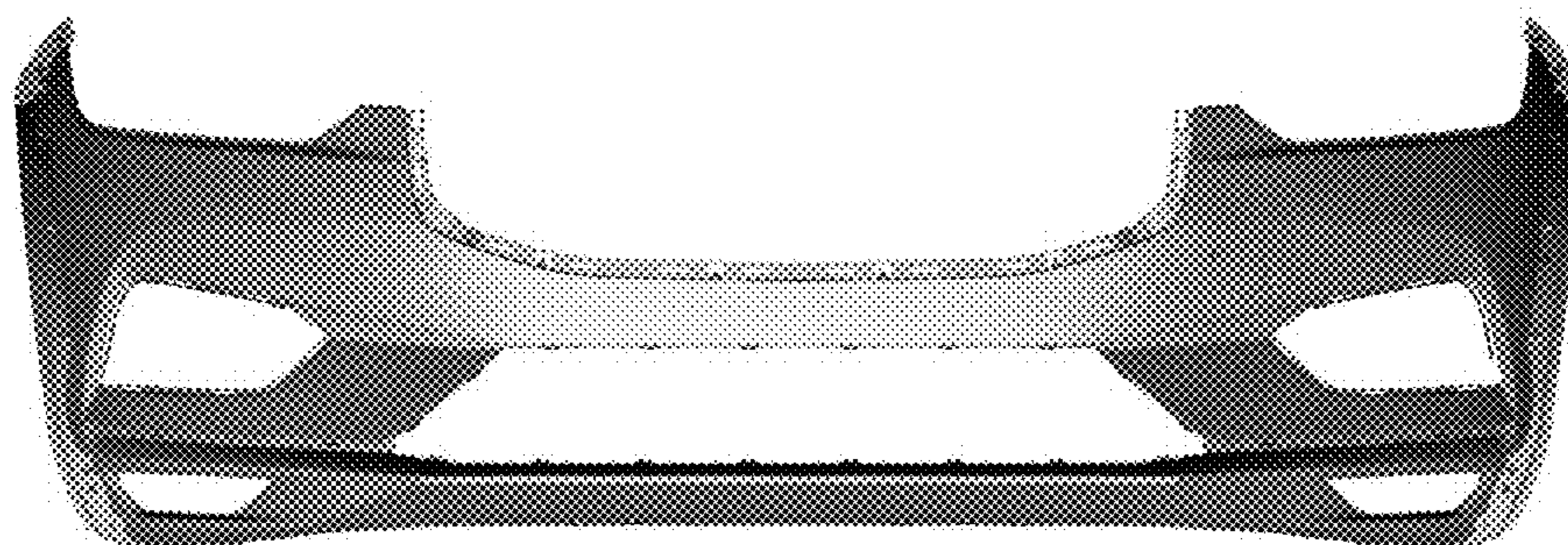


FIG. 3

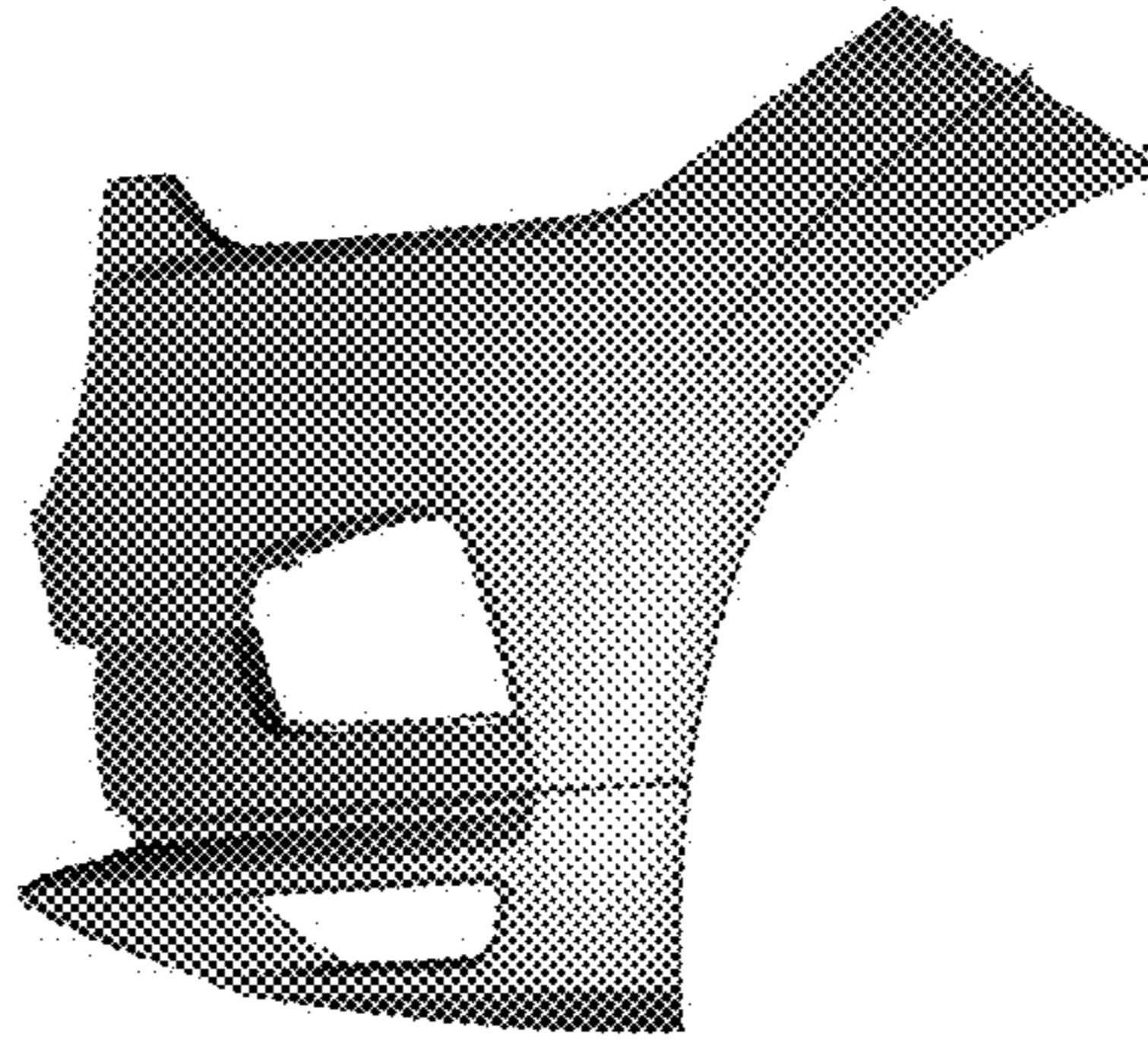


FIG. 4

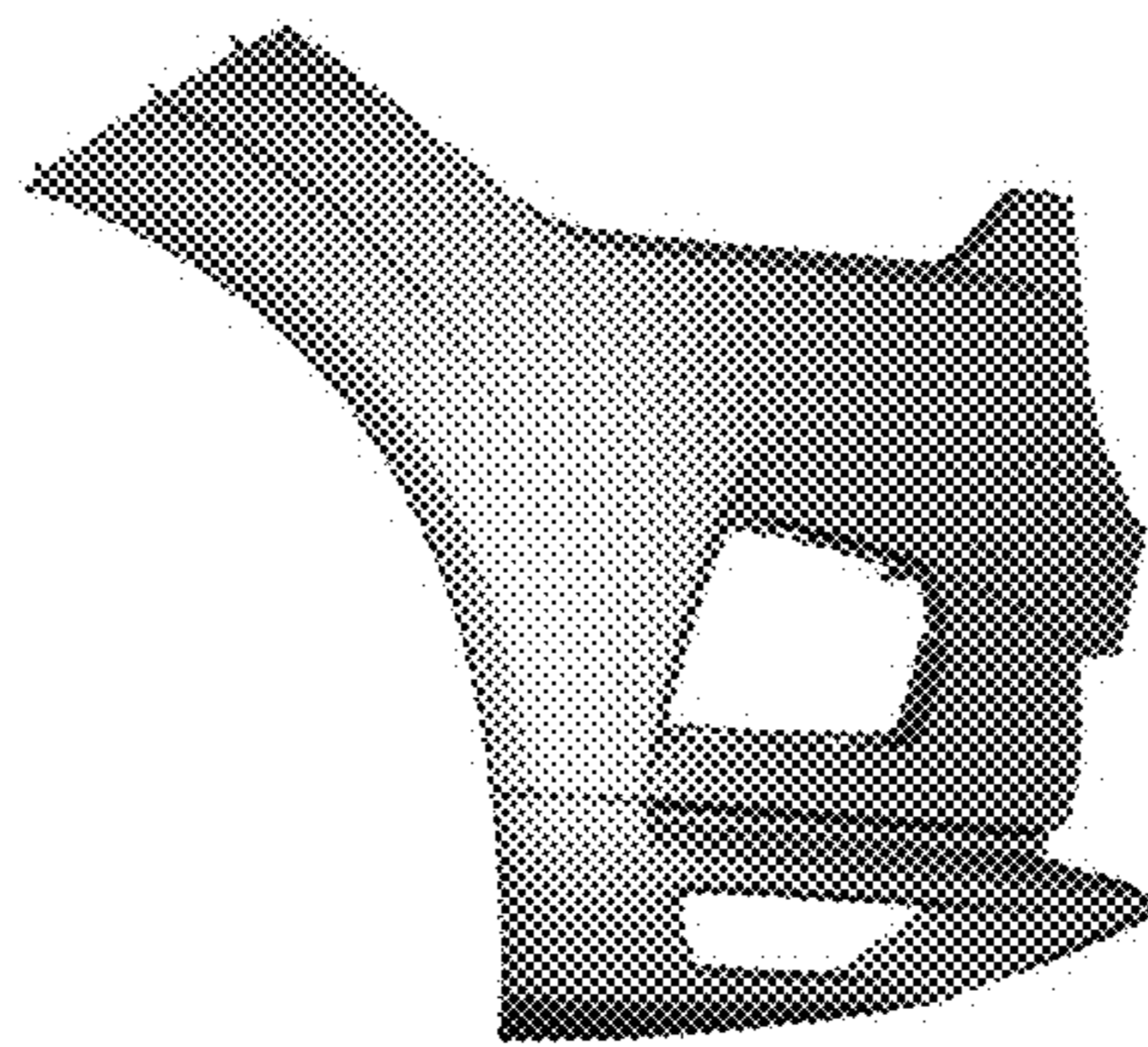


FIG. 5

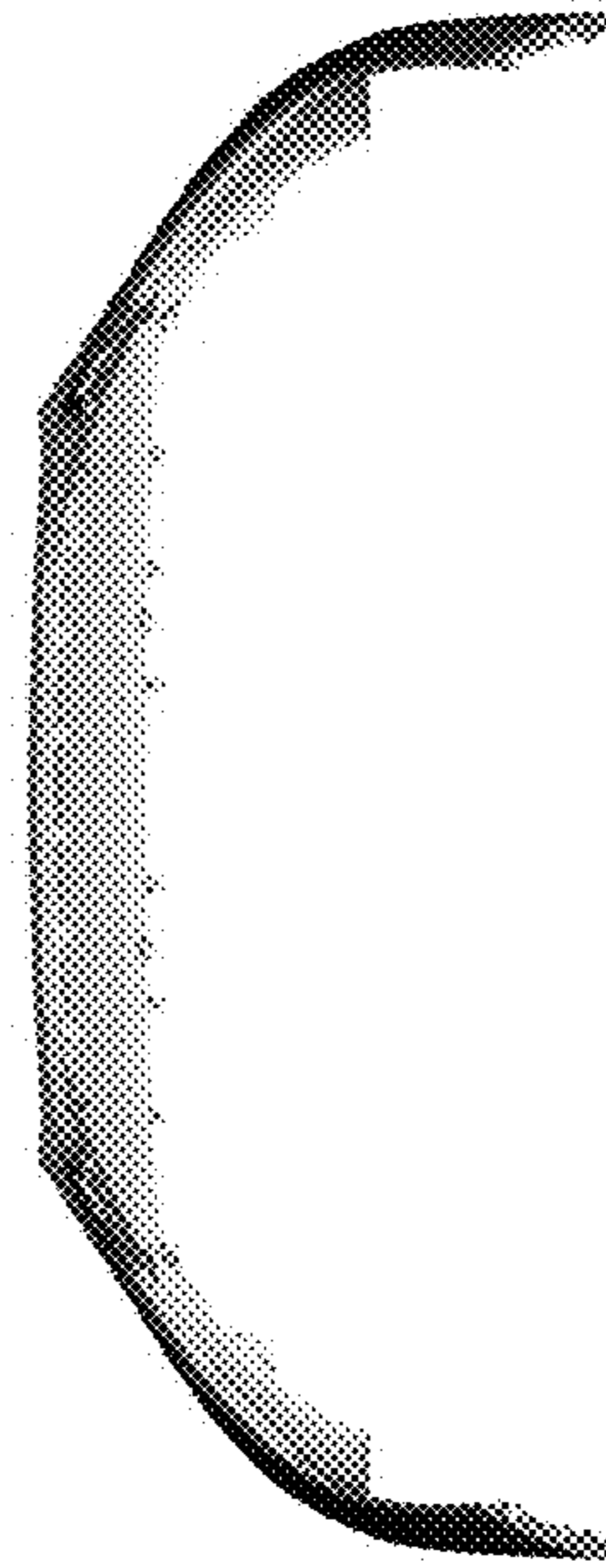


FIG. 6

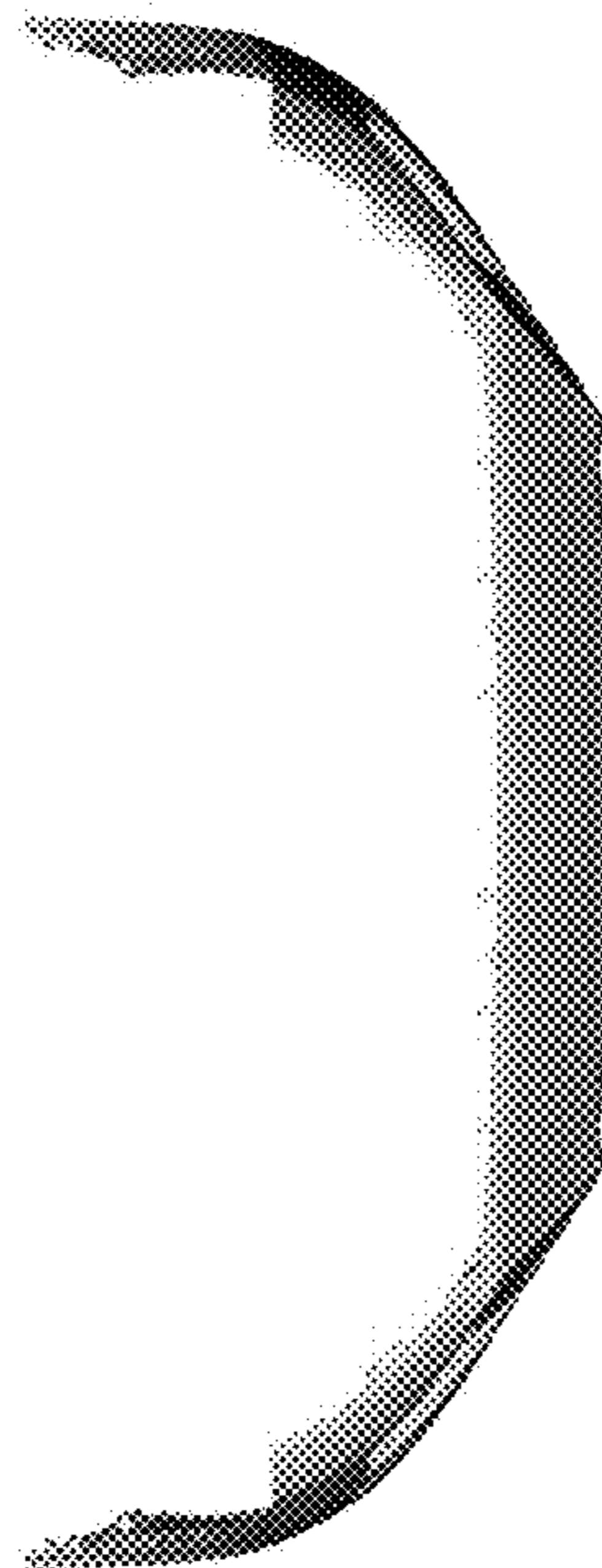


FIG. 7