



US00D793924S

(12) **United States Design Patent** (10) **Patent No.:** **US D793,924 S**
Sagawa et al. (45) **Date of Patent:** **** Aug. 8, 2017**

(54) **FRONT BUMPER FOR AN AUTOMOBILE**

(71) Applicant: **HONDA MOTOR CO., LTD.**, Tokyo (JP)

(72) Inventors: **Masahiro Sagawa**, Wako (JP); **Ken Sahara**, Wako (JP)

(73) Assignee: **HONDA MOTOR CO., LTD.**, Tokyo (JP)

(**) Term: **15 Years**

(21) Appl. No.: **29/555,826**

(22) Filed: **Feb. 25, 2016**

(30) **Foreign Application Priority Data**

Aug. 28, 2015 (JP) 2015-018993

(51) **LOC (10) Cl.** **12-16**

(52) **U.S. Cl.**
USPC **D12/169**

(58) **Field of Classification Search**
USPC D12/169, 216, 90-92, 86, 171, 196, 163;
293/102, 113, 115, 117, 120; 296/180.1,
296/180.2

CPC B60R 19/02; B60R 19/04; B62D 25/08
See application file for complete search history.

(56) **References Cited**

U.S. PATENT DOCUMENTS

D729,707 S *	5/2015	Thole	D12/169
D751,011 S *	3/2016	Behmer	D12/169
D753,033 S *	4/2016	Thole	D12/169
D762,147 S *	7/2016	Messale	D12/169
D763,745 S *	8/2016	Lee, IV	D12/169
D774,427 S *	12/2016	Davidson	D12/169
D774,428 S *	12/2016	Davidson	D12/169

* cited by examiner

Primary Examiner — Melody N Brown

(74) *Attorney, Agent, or Firm* — Westerman, Hattori, Daniels & Adrian, LLP

(57) **CLAIM**

The ornamental design for a front bumper for an automobile, as shown and described.

DESCRIPTION

FIG. 1 is a front and side perspective view of a front bumper for an automobile showing our new design;

FIG. 2 is a front view thereof;

FIG. 3 is a top plan view thereof;

FIG. 4 is a left side view thereof; and,

FIG. 5 is a right side view thereof.

The broken lines form no part of the claimed design.

1 Claim, 5 Drawing Sheets

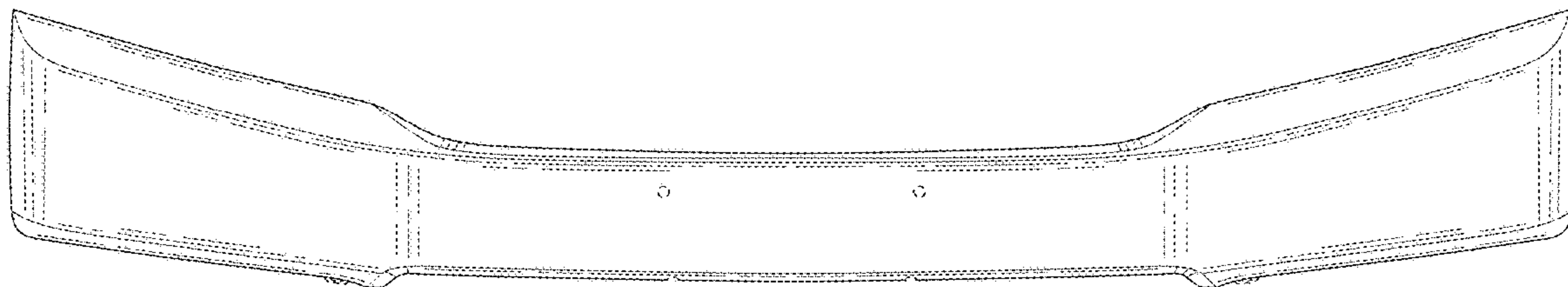




FIG.1

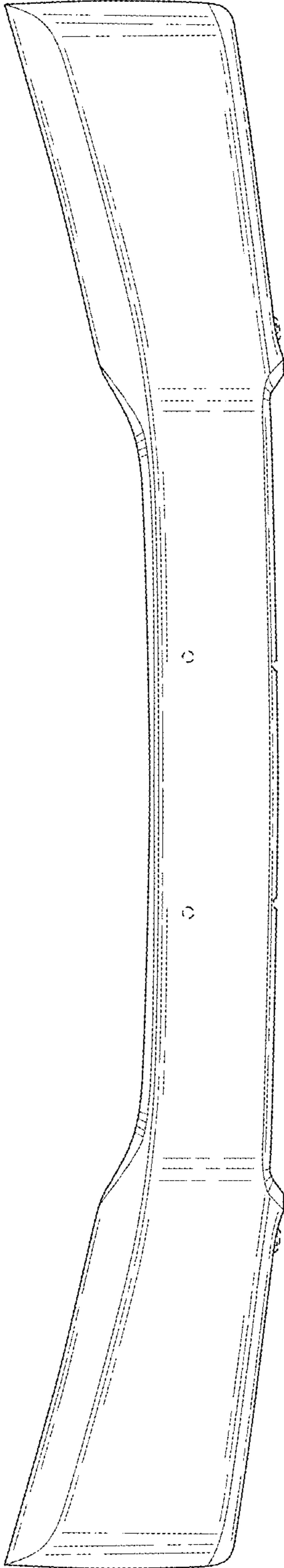


FIG.2

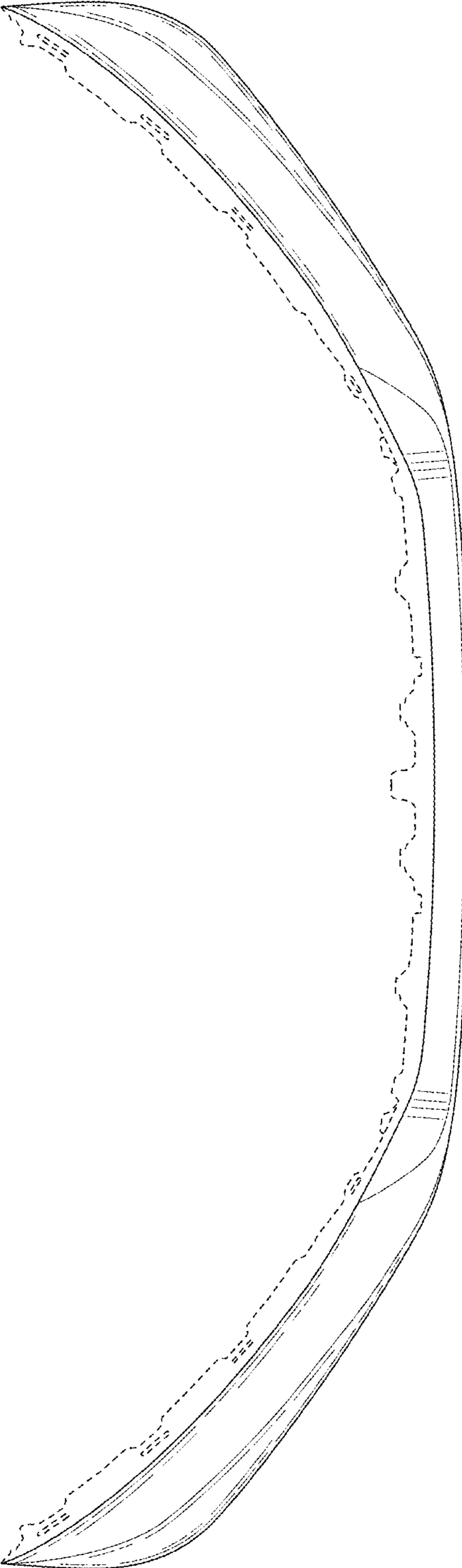


FIG.3

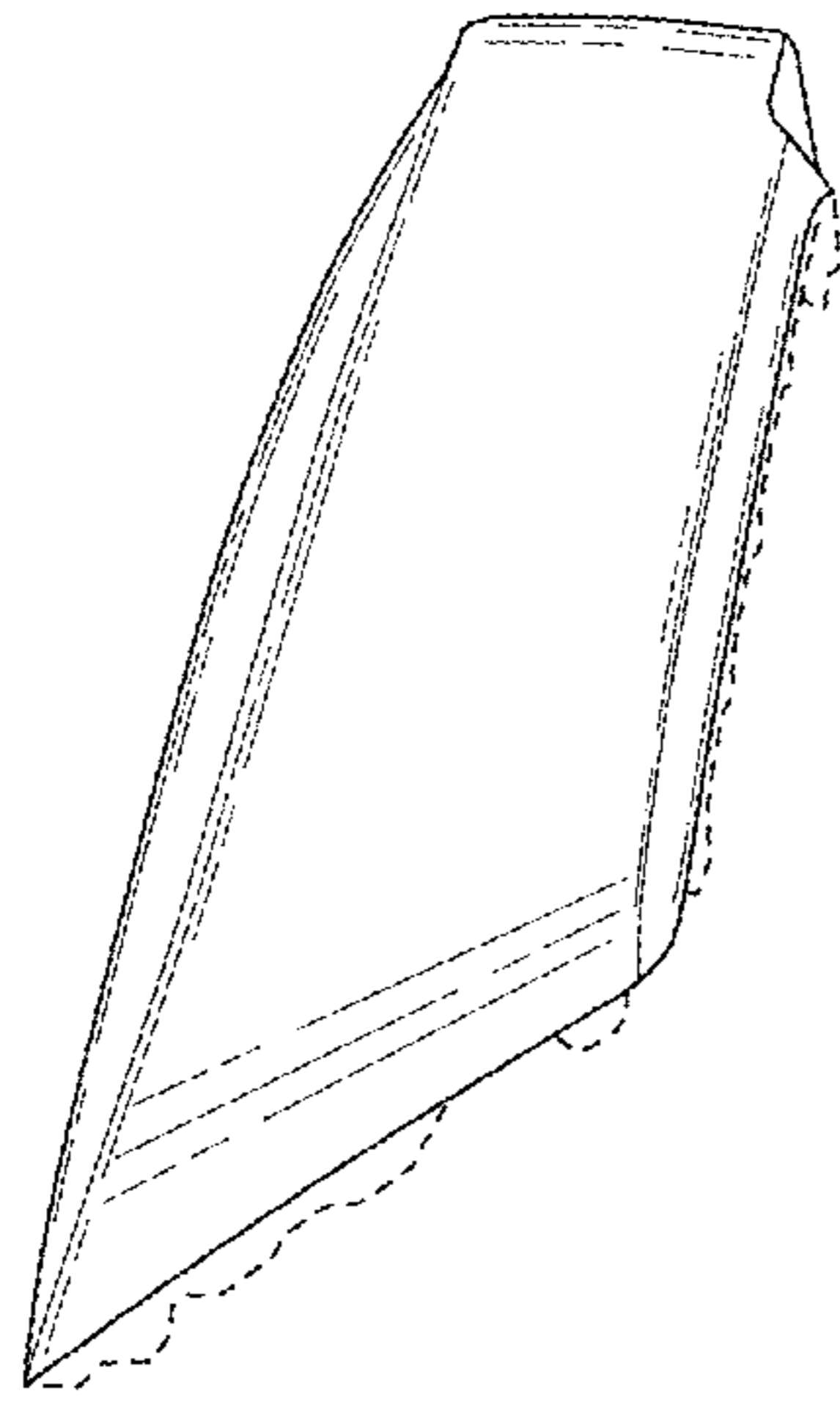


FIG.4

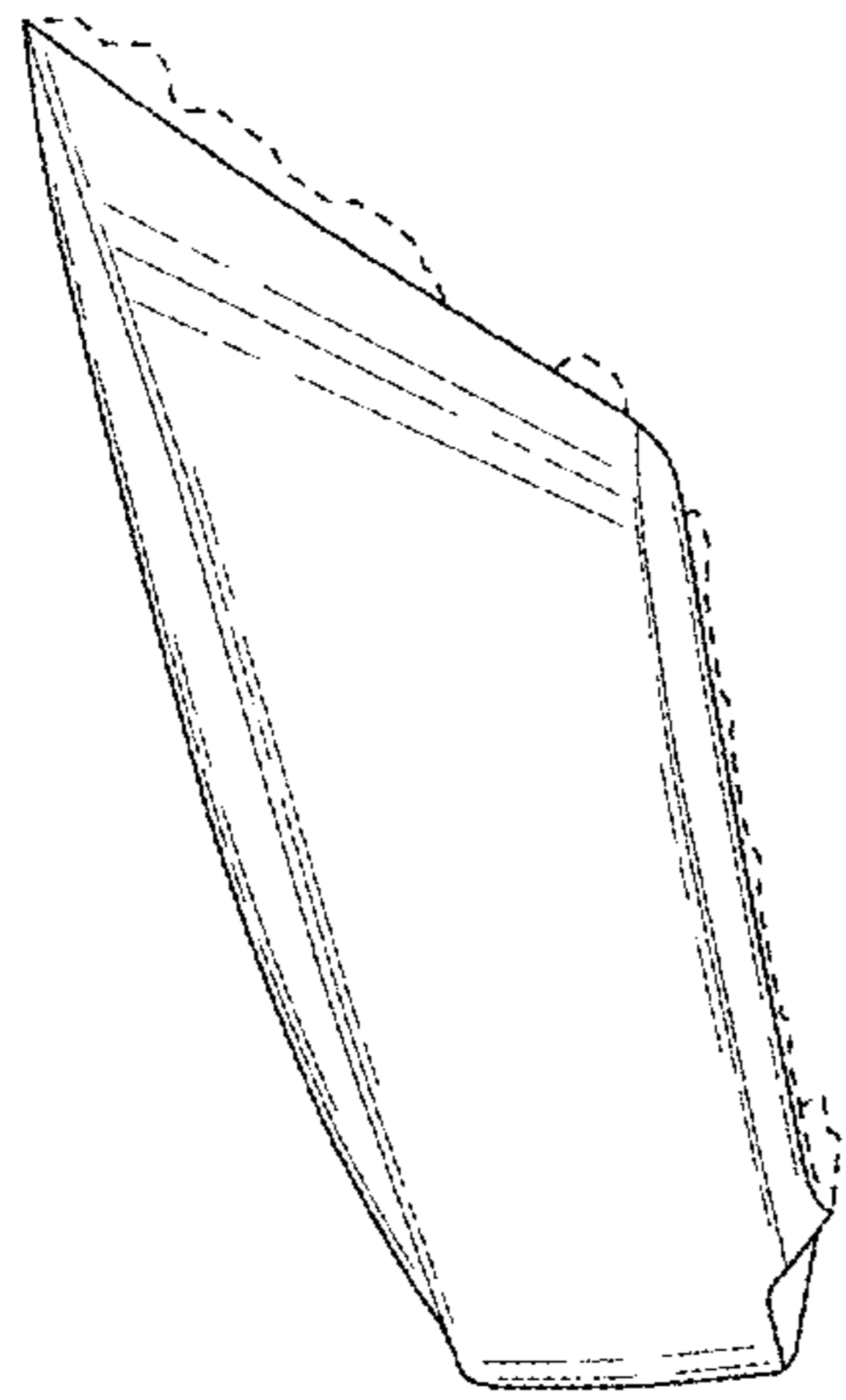


FIG.5