



US00D793916S

(12) **United States Design Patent**  
**Harrison**

(10) **Patent No.:** **US D793,916 S**

(45) **Date of Patent:** **\*\* Aug. 8, 2017**

(54) **HITCH BALL MOUNT STORAGE DEVICE**

(71) Applicant: **Britton Harrison**, Mesquite, NV (US)

(72) Inventor: **Britton Harrison**, Mesquite, NV (US)

(\*\*) Term: **15 Years**

(21) Appl. No.: **29/551,791**

(22) Filed: **Jan. 15, 2016**

(51) **LOC (10) Cl.** ..... **12-16**

(52) **U.S. Cl.**  
USPC ..... **D12/162**

(58) **Field of Classification Search**  
USPC ..... D12/162, 159, 160, 161  
CPC . B60D 1/60; B60D 1/065; B60D 1/00; B60D  
1/06  
See application file for complete search history.

(56) **References Cited**

**U.S. PATENT DOCUMENTS**

D376,780 S *	12/1996	McCoy	.....	D12/162
6,241,271 B1 *	6/2001	Belinky	.....	B60D 1/06 280/415.1
6,554,311 B1 *	4/2003	Blankenship	.....	B60D 1/06 280/164.1
7,419,177 B2 *	9/2008	Kottke	.....	B60D 1/36 280/511
D585,795 S *	2/2009	Gundlach	.....	D12/162
7,976,054 B1 *	7/2011	Phipps	.....	B60D 1/06 280/415.1

8,371,603 B2 *	2/2013	Columbia	.....	B60D 1/06 280/504
8,840,130 B2 *	9/2014	Columbia	.....	B60D 1/06 280/504
D729,704 S *	5/2015	Song	.....	D12/162
9,327,566 B2 *	5/2016	McAllister	.....	B60D 1/62
9,333,821 B1 *	5/2016	Rosario	.....	B60D 1/06
9,381,782 B2 *	7/2016	Schwensen	.....	B60D 1/52

\* cited by examiner

*Primary Examiner* — Katrina A Betton

(74) *Attorney, Agent, or Firm* — Gallian, Welker & Beckstrom, L.C.; Robert A. Gurr

(57) **CLAIM**

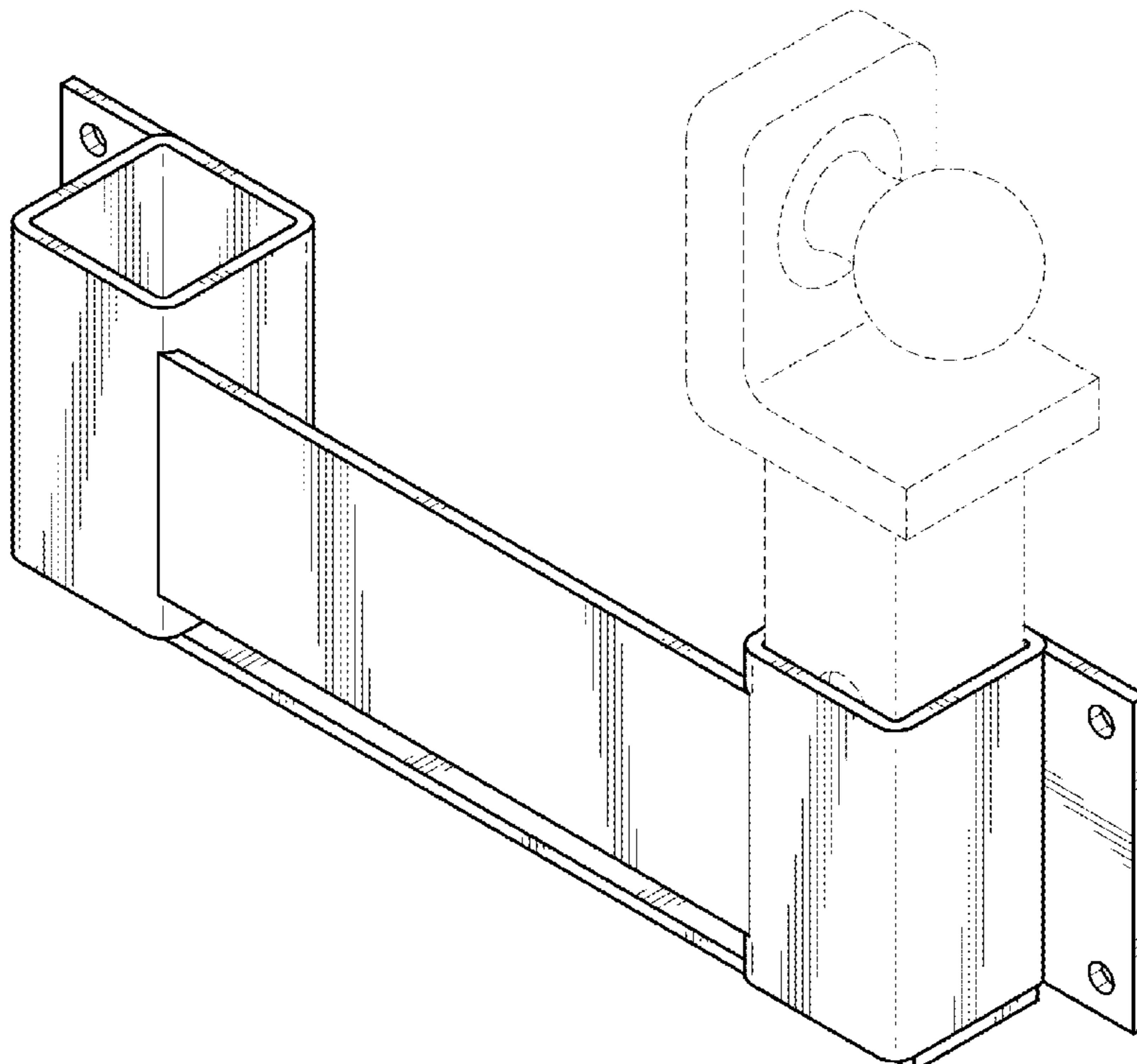
The ornamental design for a hitch ball mount storage device, as shown and described.

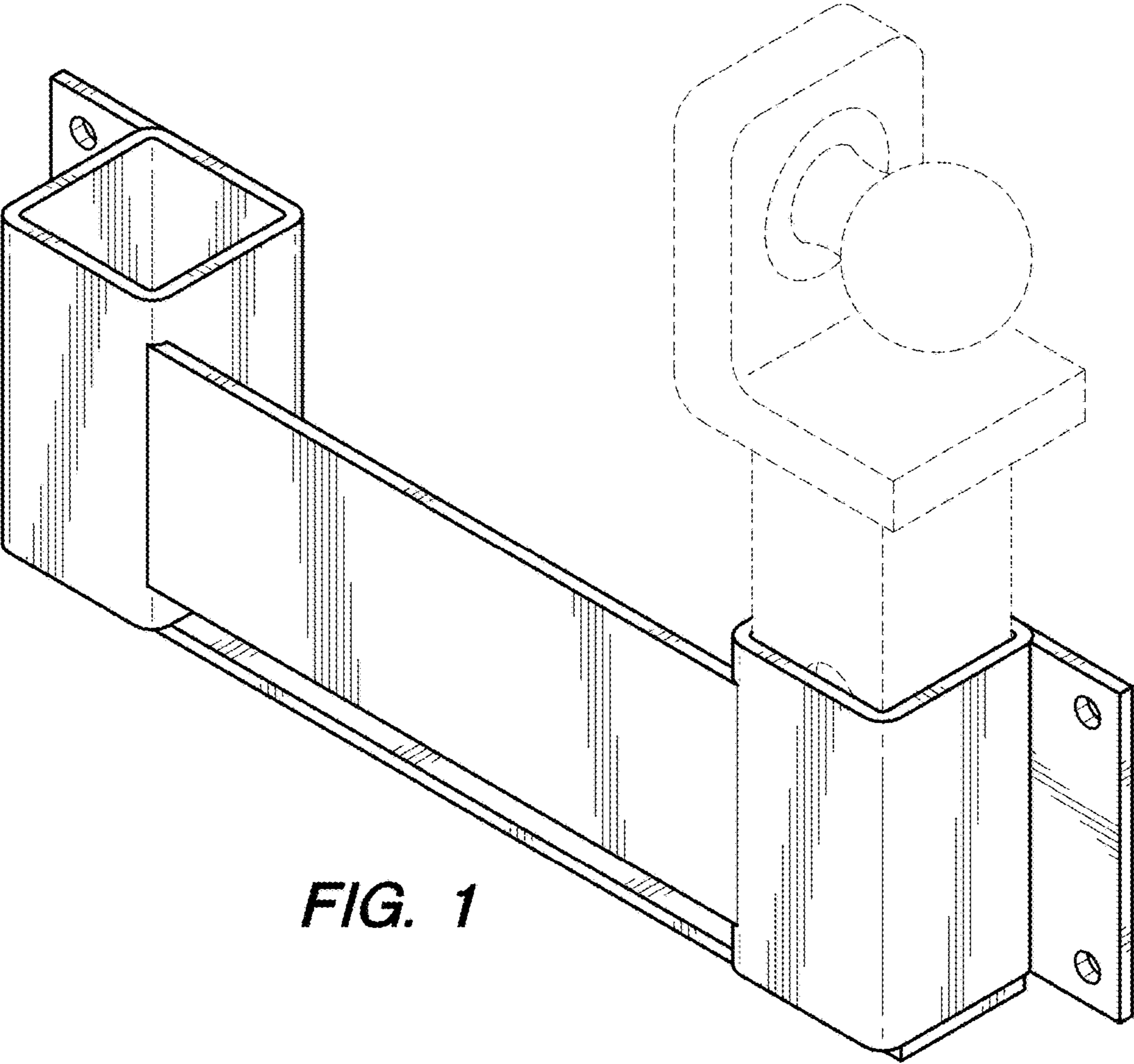
**DESCRIPTION**

FIG. 1 is a perspective view of the hitch ball mount storage device;  
FIG. 2 is a front elevation view of the hitch ball mount storage device;  
FIG. 3 is a left-side elevation view of the hitch ball mount storage device;  
FIG. 4 is a right-side elevation view of the hitch ball mount storage device;  
FIG. 5 is a back view of the hitch ball mount storage device;  
FIG. 6 is a top plan view of the hitch ball mount storage device; and,  
FIG. 7 is a bottom plan view of the hitch ball mount storage device.

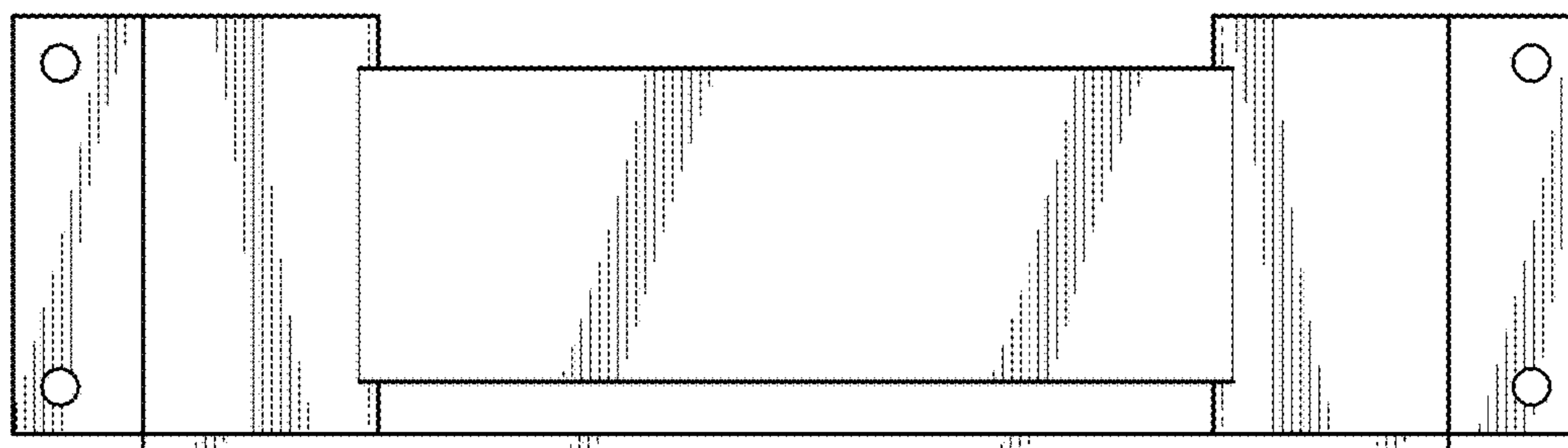
The broken lines form no part of the claimed design.

**1 Claim, 3 Drawing Sheets**

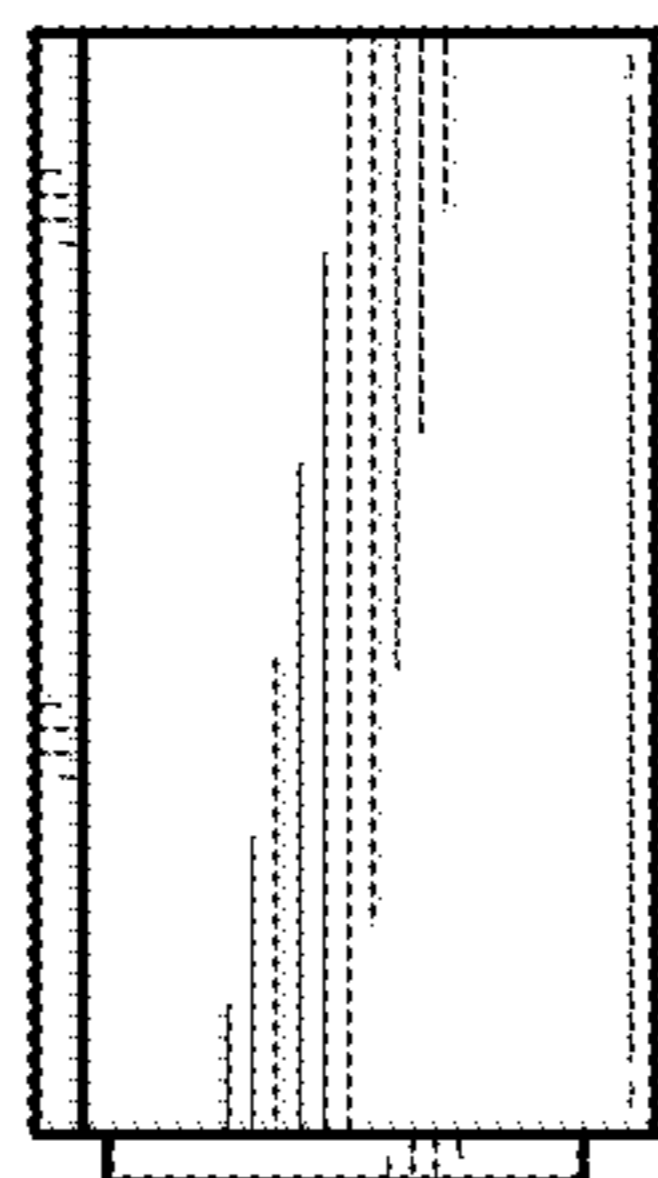




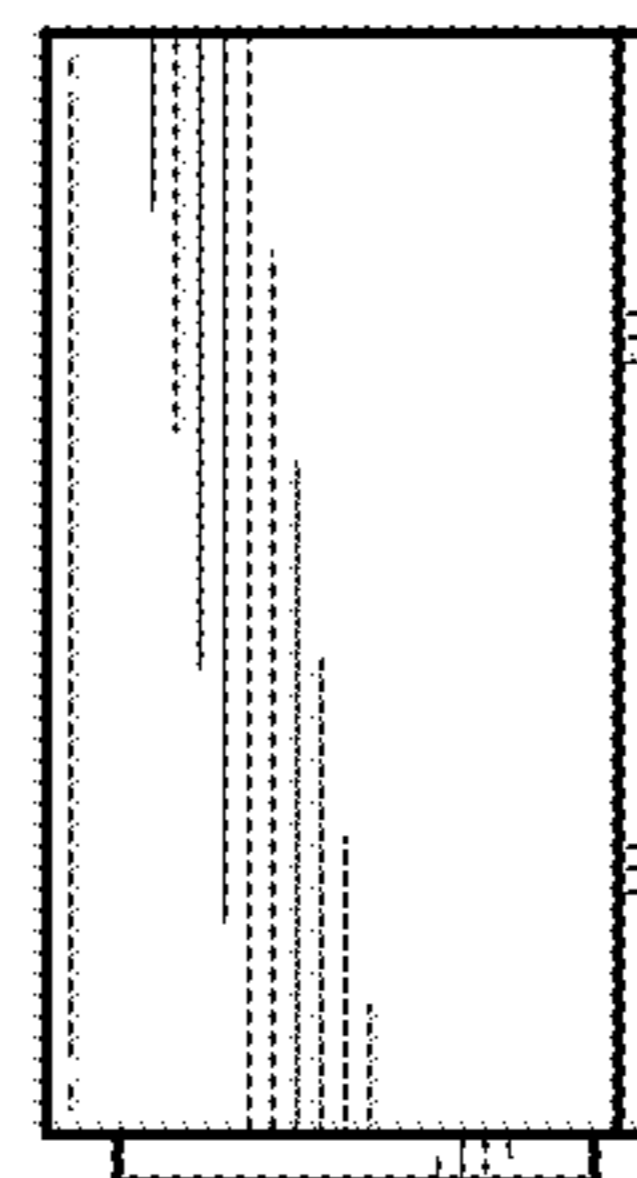
**FIG. 1**



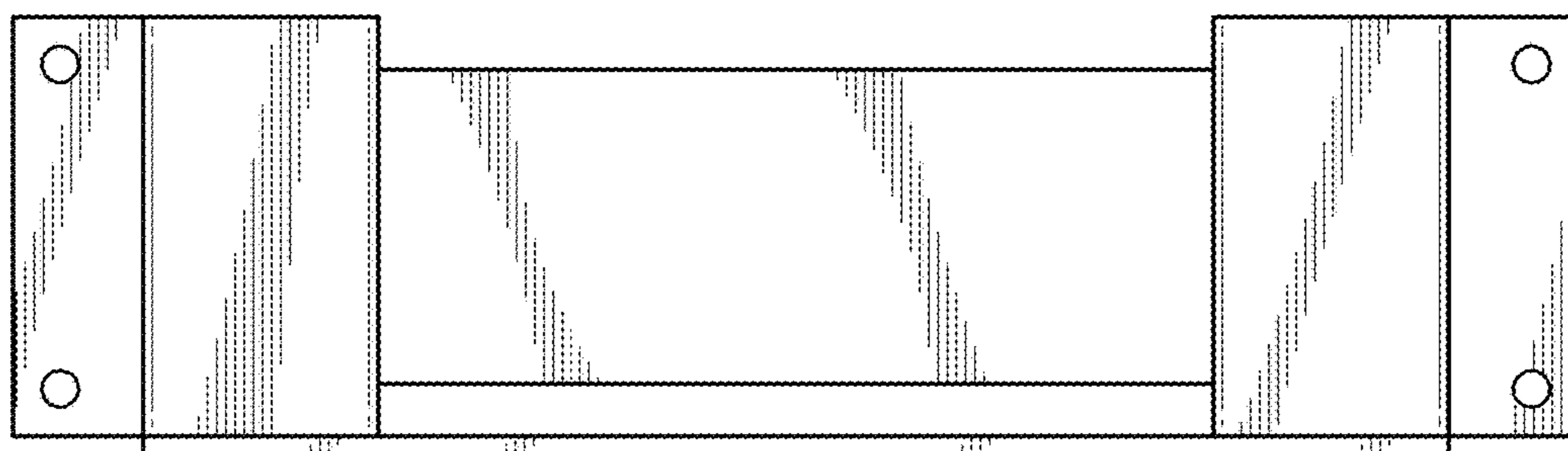
**FIG. 2**



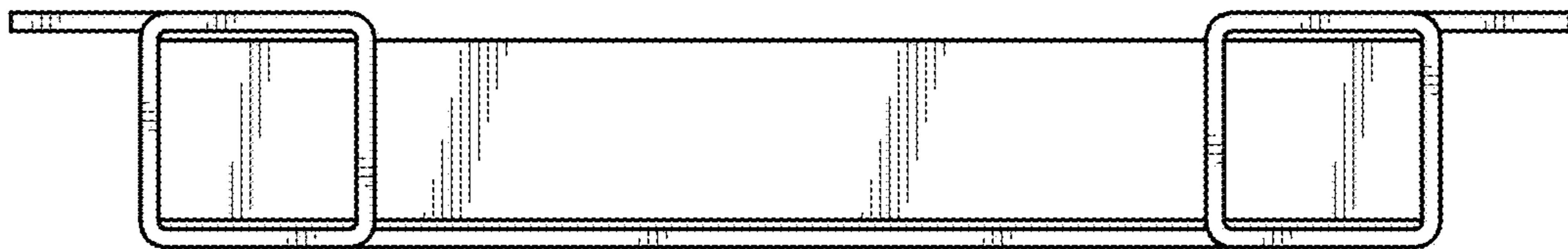
**FIG. 3**



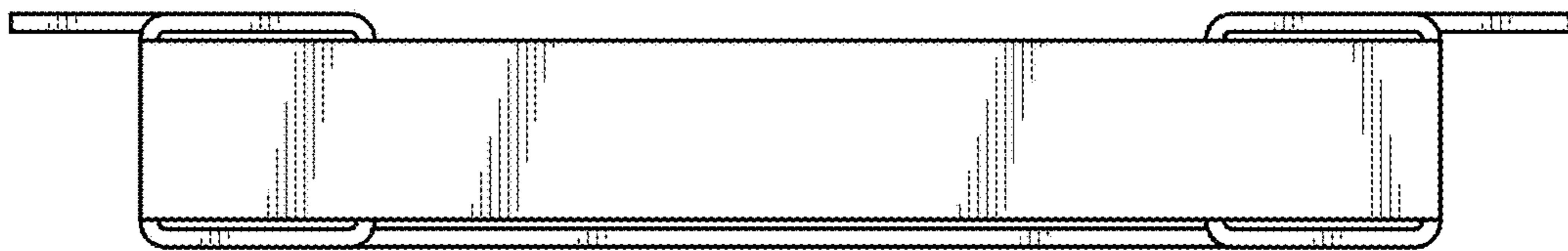
**FIG. 4**



**FIG. 5**



*FIG. 6*



*FIG. 7*