



US00D793915S

(12) **United States Design Patent**
Wang et al.

(10) **Patent No.:** **US D793,915 S**
(45) **Date of Patent:** **** Aug. 8, 2017**

- (54) **WALKER WITH A SEAT**
- (71) Applicant: **Medline Industries, Inc.**, Mundelein, IL (US)
- (72) Inventors: **Ben Wang**, Zhongshan (CN); **Brendan Fong**, Northbrook, IL (US); **Margaret Andersen**, Chicago, IL (US)
- (73) Assignee: **MEDLINE INDUSTRIES, INC.**, Mundelein, IL (US)
- (**) Term: **15 Years**
- (21) Appl. No.: **29/558,735**
- (22) Filed: **Mar. 21, 2016**

6,371,142	B1	4/2002	Battiston	
D480,666	S	10/2003	Owens	
6,729,342	B2 *	5/2004	Serhan	A61H 3/00
				135/67
6,886,575	B2 *	5/2005	Diamond	A45B 7/00
				135/67
6,990,990	B2 *	1/2006	Wilensky	A61H 3/00
				135/67
7,040,637	B2	5/2006	Owens	
D567,151	S *	4/2008	Owens	D12/130
7,373,942	B1 *	5/2008	Yeager	A61H 3/00
				135/67
7,497,226	B2 *	3/2009	Li	A61H 3/00
				135/67
7,506,657	B2 *	3/2009	Hsiao	A61H 3/00
				135/67
7,651,649	B2 *	1/2010	Obitts	A61H 3/00
				264/242
7,703,465	B2 *	4/2010	Diamond	A45B 7/00
				135/67

Related U.S. Application Data

- (63) Continuation of application No. 29/479,778, filed on Jan. 20, 2014, now Pat. No. Des. 751,951.
- (51) **LOC (10) Cl.** **12-12**
- (52) **U.S. Cl.**
USPC **D12/130**
- (58) **Field of Classification Search**
USPC D12/128-133
CPC A61H 3/00; A61H 3/04; A61H 2003/001-2003/007; A61H 2003/043; A61H 2003/046
See application file for complete search history.

References Cited

U.S. PATENT DOCUMENTS

5,353,824	A	10/1994	Woods
5,529,425	A	6/1996	Spies
5,579,793	A	12/1996	Gajewski
5,862,825	A	1/1999	Leonard
5,882,067	A	3/1999	Carbajal
5,904,168	A	5/1999	Alulyan
5,979,476	A	11/1999	Cranny

(Continued)

Primary Examiner — Charles Hanson
(74) *Attorney, Agent, or Firm* — McAndrews, Held & Malloy, Ltd.

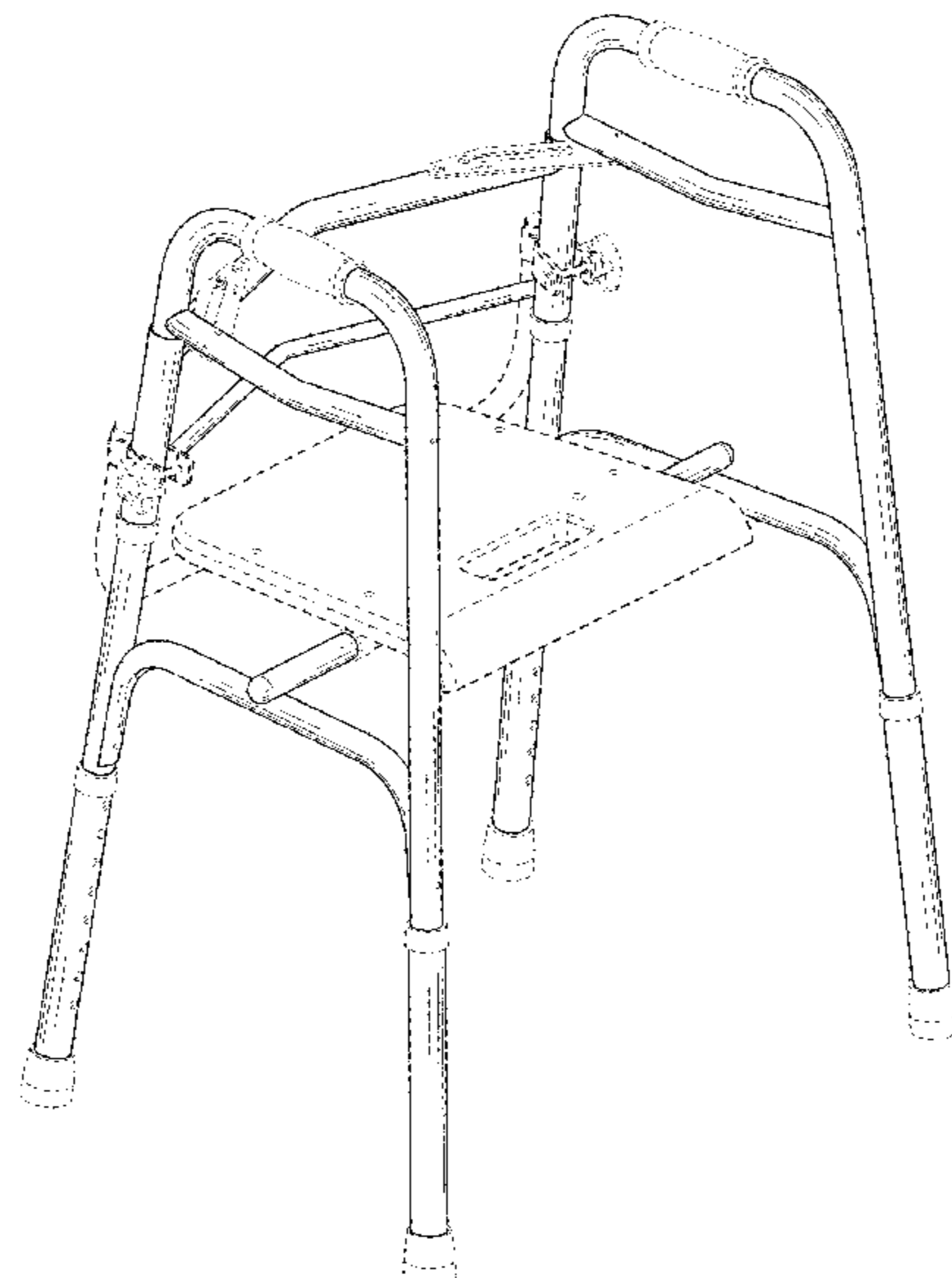
(57) **CLAIM**

The ornamental design for a walker with a seat, as shown and described.

DESCRIPTION

FIG. 1 is a rear perspective view of a walker with a seat showing our new design; FIG. 2 is a rear elevation view thereof; FIG. 3 is a front elevation view thereof; FIG. 4 is a left side elevation view thereof; FIG. 5 is a right side elevation view thereof; FIG. 6 is a top plan view thereof; and, FIG. 7 is a bottom plan view thereof. The dotted lines are for environmental purposes only and form no part of the claimed design.

1 Claim, 7 Drawing Sheets



(56)

References Cited

U.S. PATENT DOCUMENTS

8,245,719 B2 * 8/2012 Kirby A61H 3/04
135/66
D749,017 S * 2/2016 Wang D12/133
D751,951 S * 3/2016 Andersen D12/130
9,271,891 B2 * 3/2016 Andersen A61H 3/00

* cited by examiner

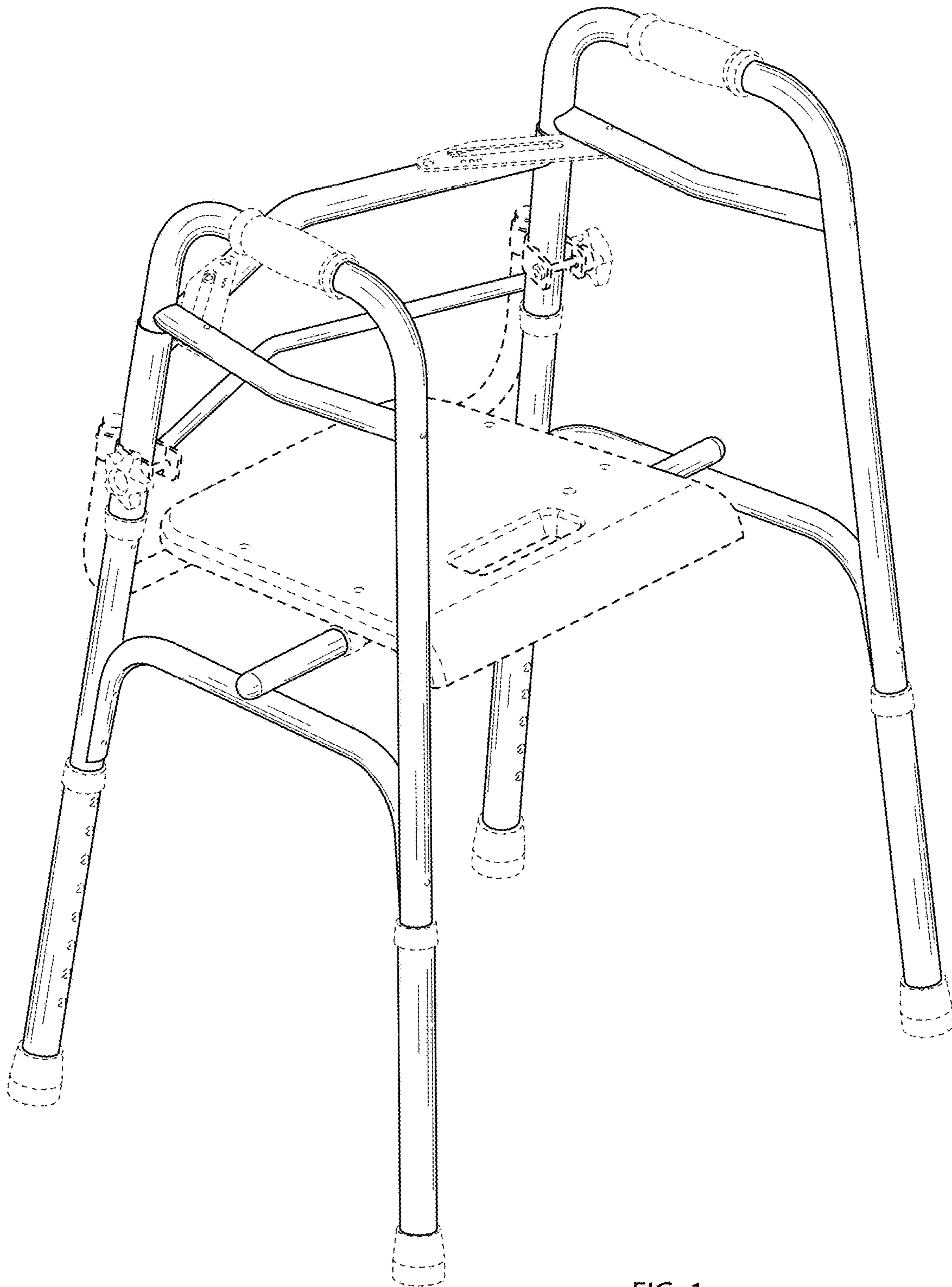


FIG. 1

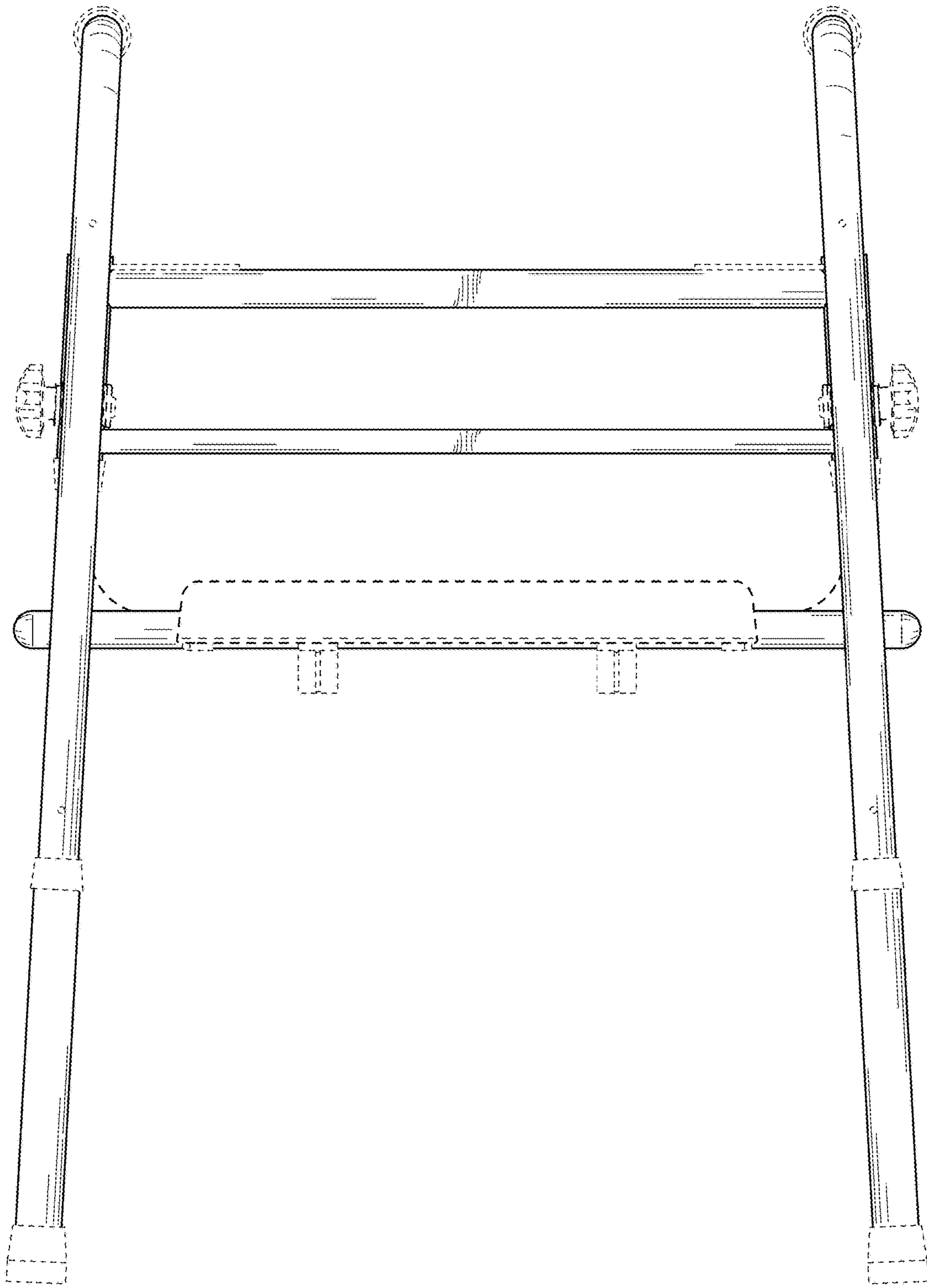


FIG. 2

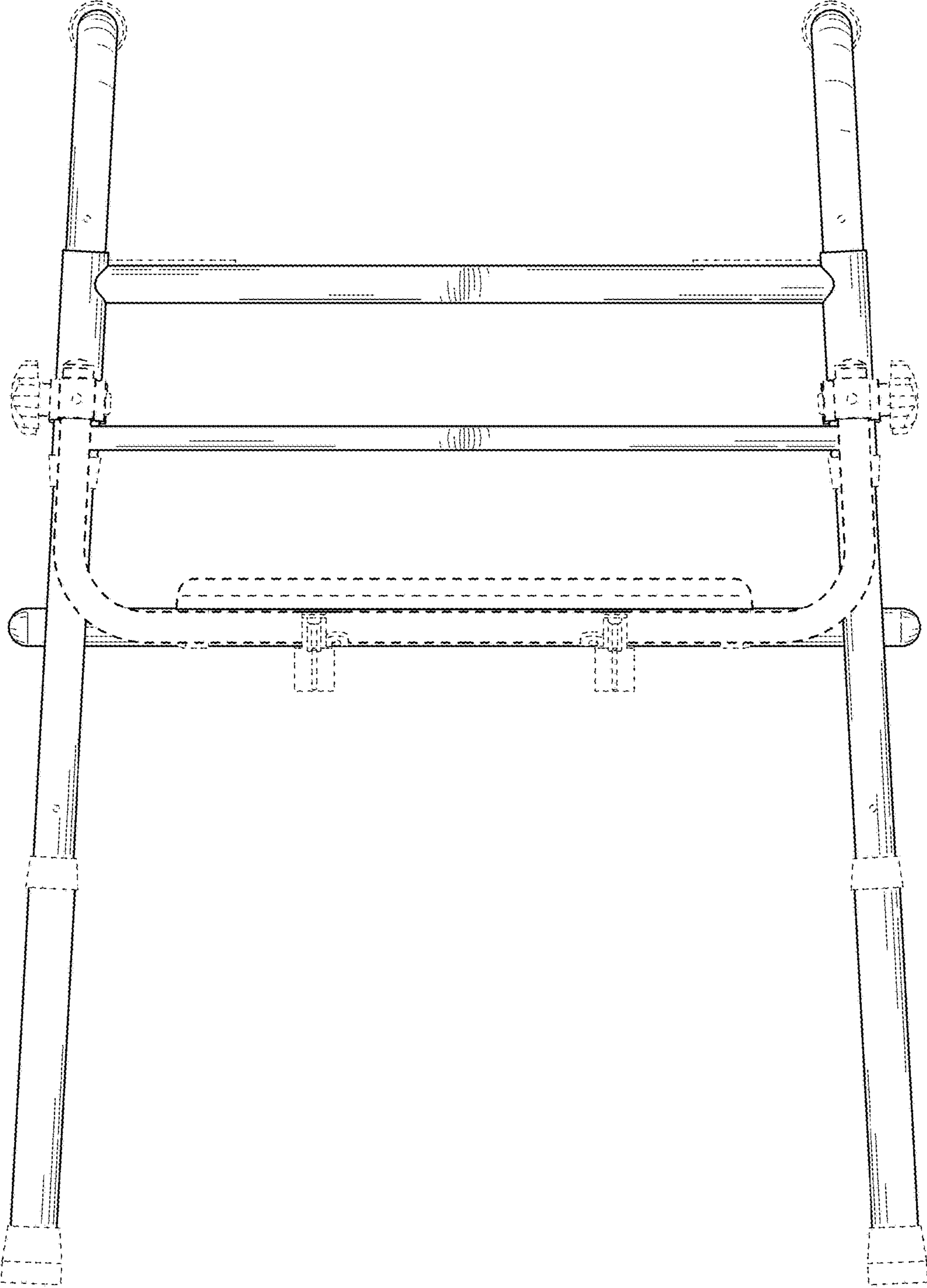


FIG. 3

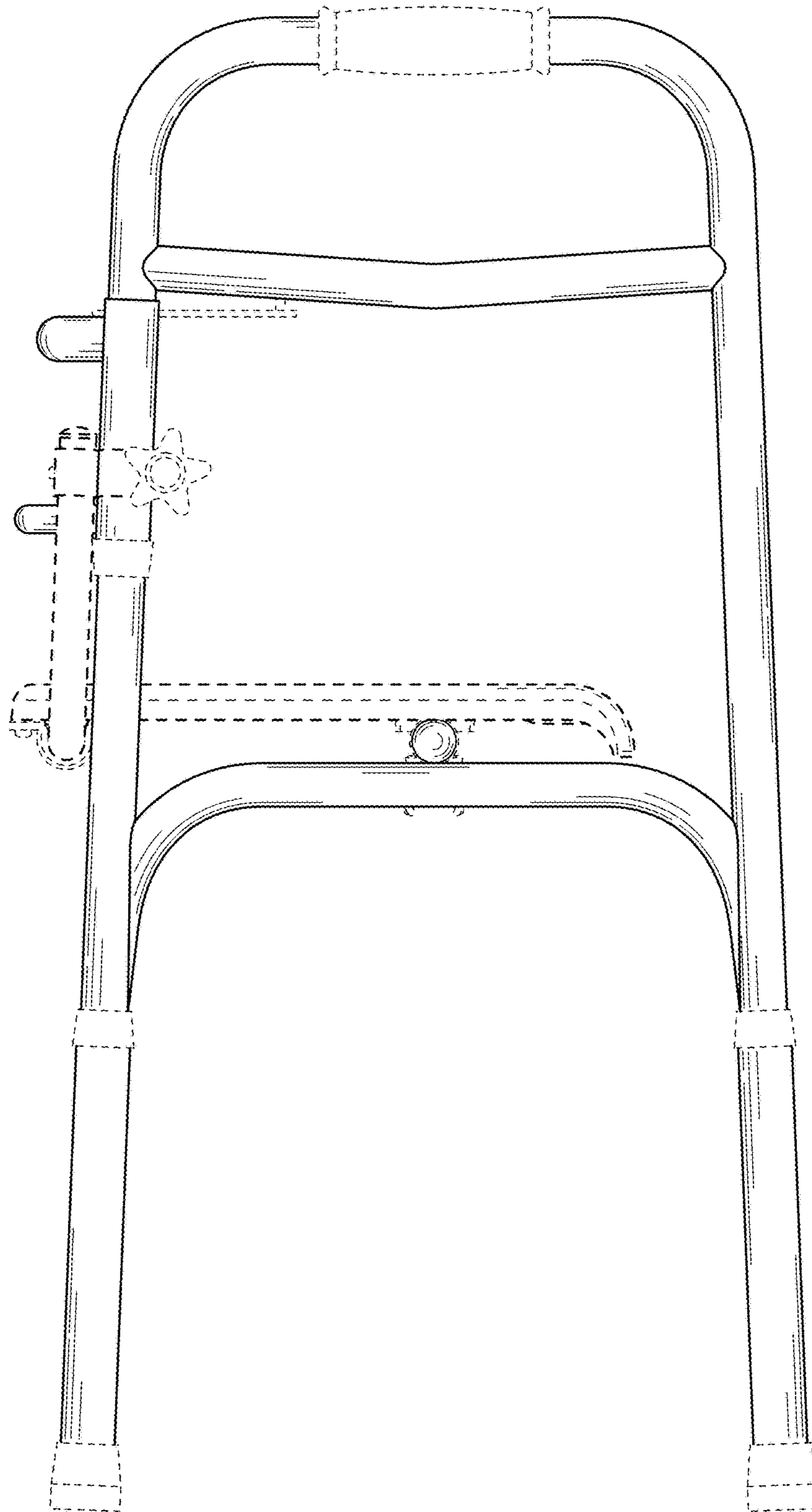


FIG. 4

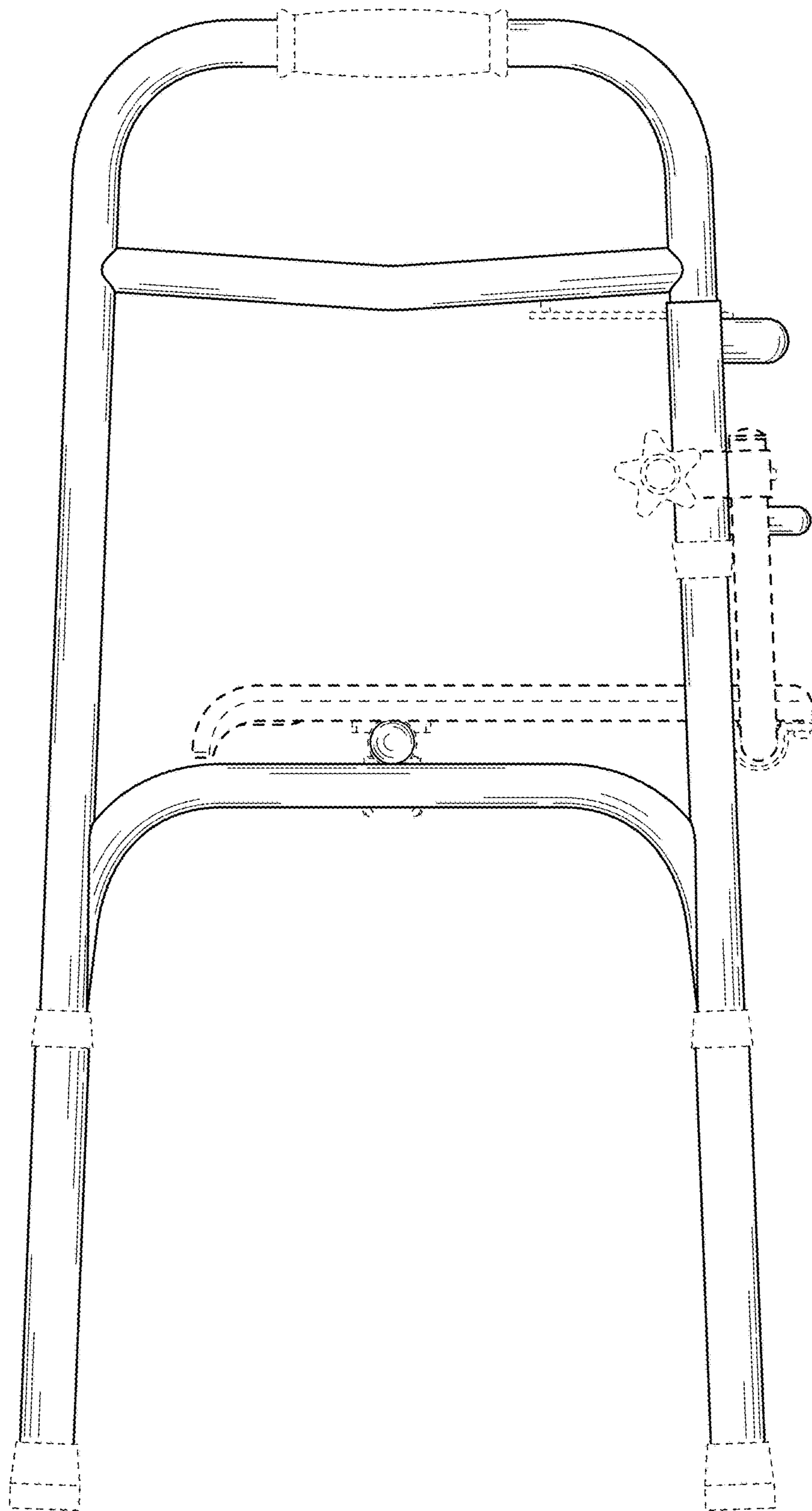


FIG. 5

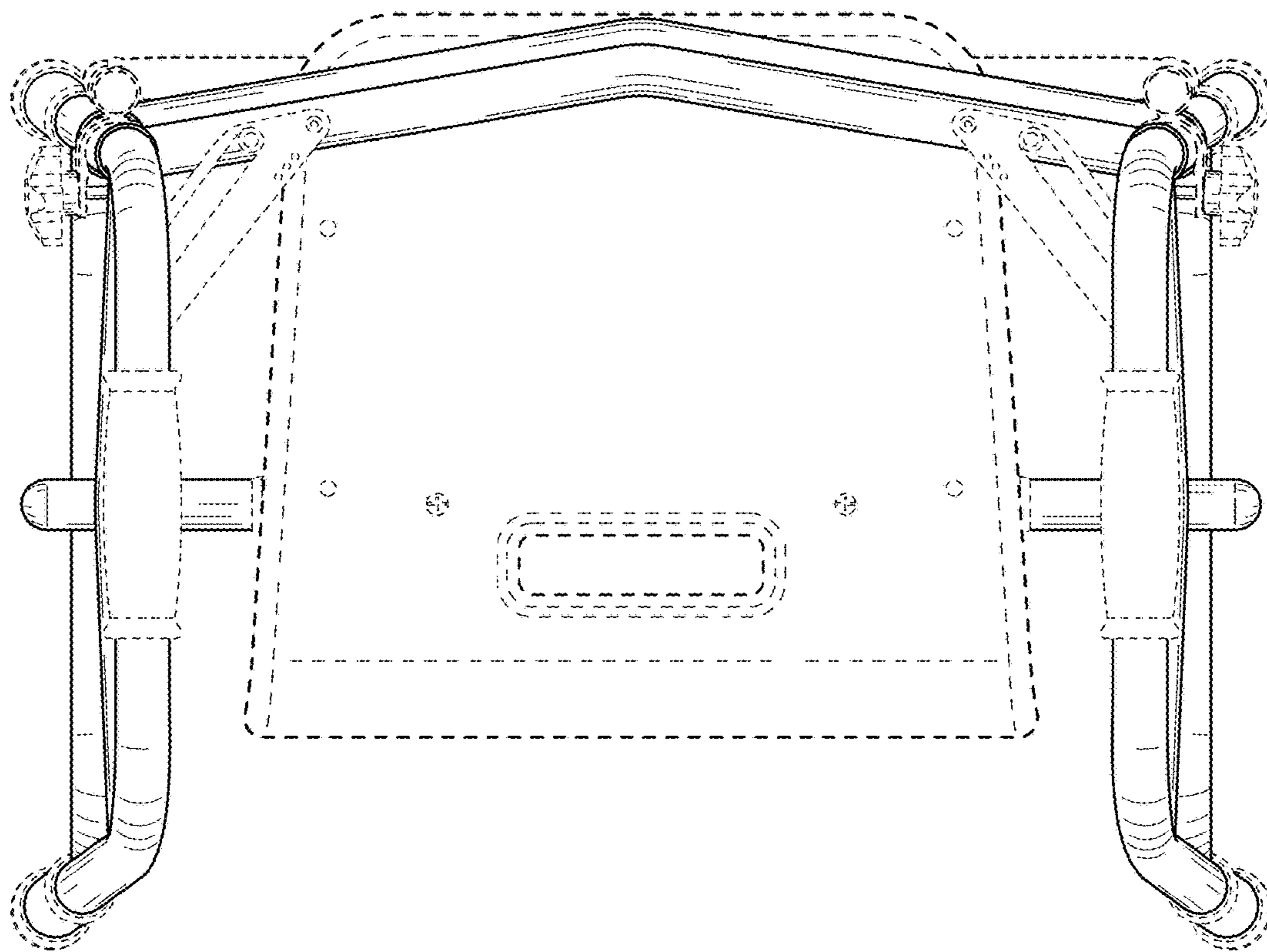


FIG. 6

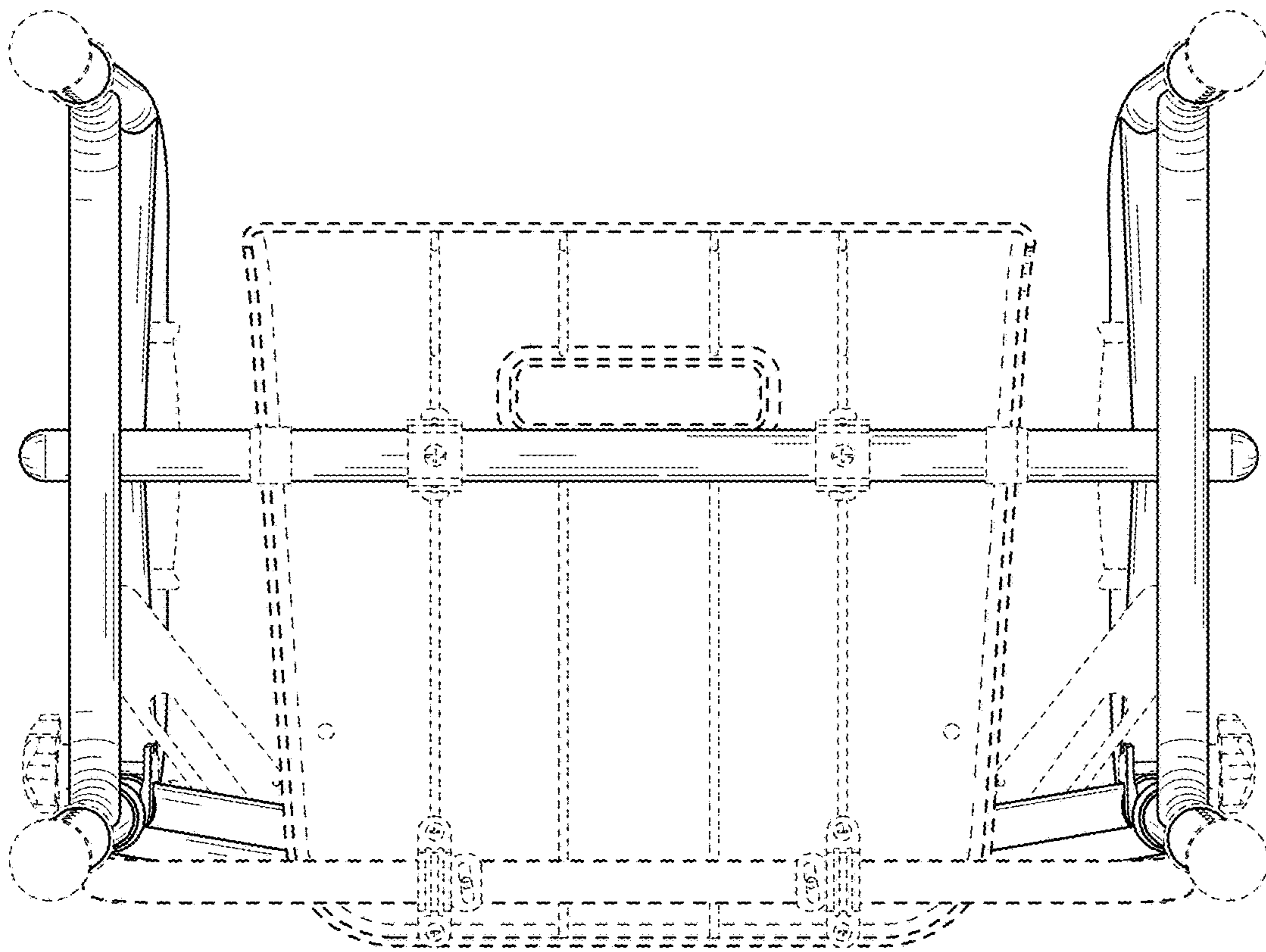


FIG. 7