



US00D793914S

(12) **United States Design Patent** (10) **Patent No.:** **US D793,914 S**
Eriksson et al. (45) **Date of Patent:** **** Aug. 8, 2017**

(54) **STROLLER**
(71) Applicant: **Thule Canada Inc.**, Calgary (CA)
(72) Inventors: **Henrik Eriksson**, Jönköping (SE); **Daniel Britton**, Calgary (CA); **Jan Adler**, Skillingaryd (SE); **Wesley Fleming**, Calgary (CA)
(73) Assignee: **Thule Canada Inc.**, Granby (CA)
(**) Term: **15 Years**
(21) Appl. No.: **29/565,473**
(22) Filed: **May 20, 2016**
(51) **LOC (10) Cl.** **12-12**
(52) **U.S. Cl.**
USPC **D12/129**
(58) **Field of Classification Search**
USPC D12/128–133
CPC B62B 7/00–7/04; B62B 9/00–9/28
See application file for complete search history.

(56) **References Cited**
U.S. PATENT DOCUMENTS
D371,094 S * 6/1996 Hinkston D12/129
D408,768 S * 4/1999 Baechler D12/102
D442,895 S * 5/2001 Chiu D12/129
D452,195 S * 12/2001 Baechler D12/129
D475,951 S * 6/2003 Everett D12/129
D481,976 S * 11/2003 Everett D12/129
6,671,926 B2 * 1/2004 Huang B62B 7/04
16/18 R
D498,713 S * 11/2004 Chou D12/129
D498,714 S * 11/2004 Chou D12/129
6,893,040 B2 * 5/2005 Hou B60N 2/2845
280/642
D519,063 S * 4/2006 Chang D12/129
D622,640 S * 8/2010 Gower D12/129
(Continued)

OTHER PUBLICATIONS
Thule.com, “Thule Chariot CX 1”, <https://www.thule.com/en-us/us/strollers/multisport-trailers/thule-chariot-cx-1-_-10101221>, dated Sep. 14, 2016.

Primary Examiner — Charles Hanson
(74) *Attorney, Agent, or Firm* — Sterne, Kessler, Goldstein & Fox P.L.L.C.

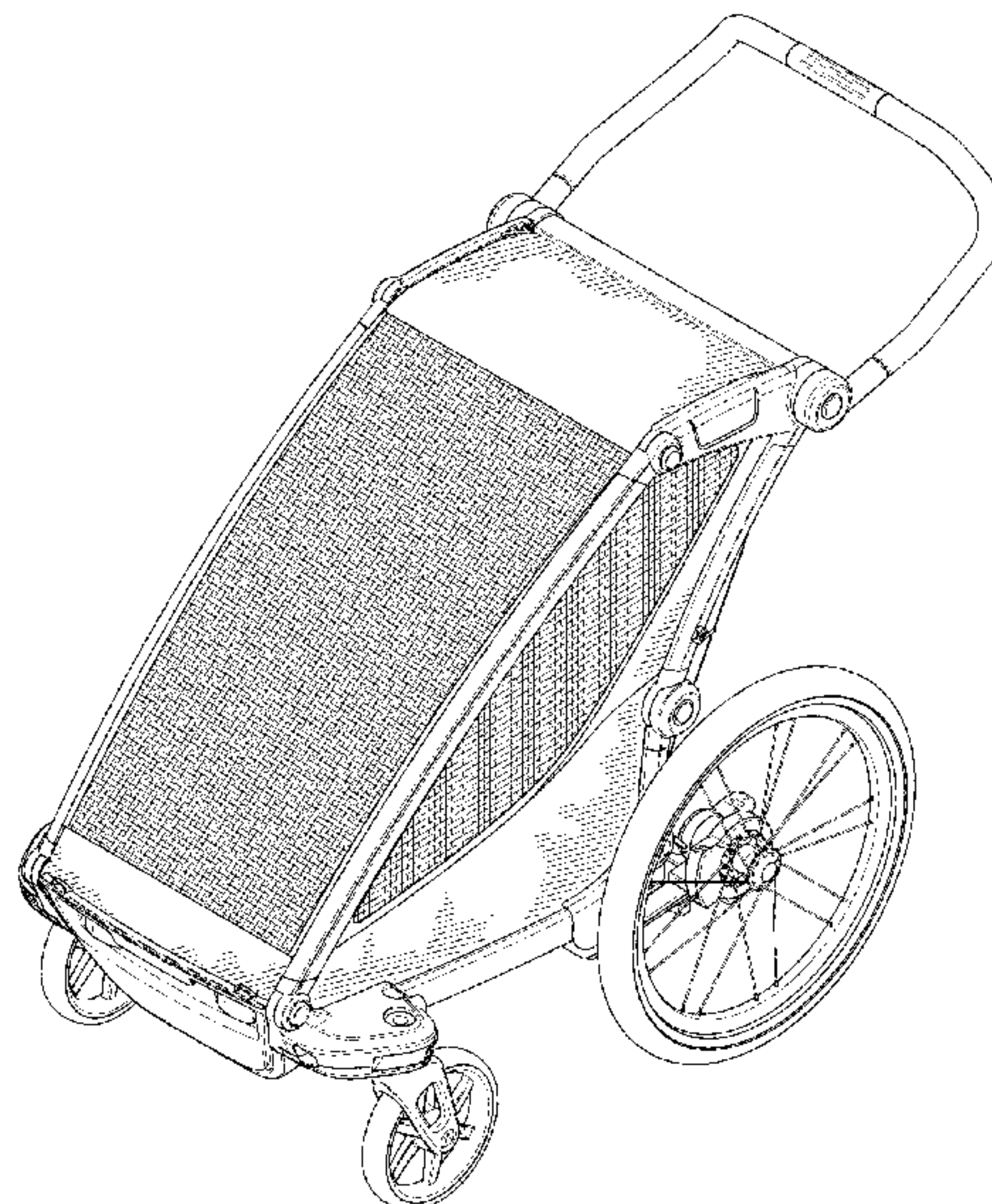
(57) **CLAIM**

The ornamental design for a stroller, as shown and described.

DESCRIPTION

FIG. 1 is a top front perspective view of a stroller showing the claimed design;
FIG. 2 is a front view thereof;
FIG. 3 is a rear view thereof;
FIG. 4 is a left side view thereof;
FIG. 5 is a right side view thereof;
FIG. 6 is a top view thereof;
FIG. 7 is a bottom view thereof;
FIG. 8 is a top front perspective view of a stroller showing the claimed design;
FIG. 9 is a front view thereof;
FIG. 10 is a rear view thereof;
FIG. 11 is a left side view thereof;
FIG. 12 is a right side view thereof;
FIG. 13 is a top view thereof;
FIG. 14 is a bottom view thereof;
FIG. 15 is a top front perspective view of a stroller showing the claimed design;
FIG. 16 is a front view thereof;
FIG. 17 is a rear view thereof;
FIG. 18 is a left side view thereof;
FIG. 19 is a right side view thereof;
FIG. 20 is a top view thereof; and,
FIG. 21 is a bottom view thereof.
The broken lines in the figures show portions of the stroller that form no part of the claimed design.

1 Claim, 21 Drawing Sheets



(56)

References Cited

U.S. PATENT DOCUMENTS

D687,352 S * 8/2013 Shellenberger et al. D12/129
D704,600 S 5/2014 Britton et al.
D724,501 S 3/2015 Reinius et al.

* cited by examiner



FIG. 1

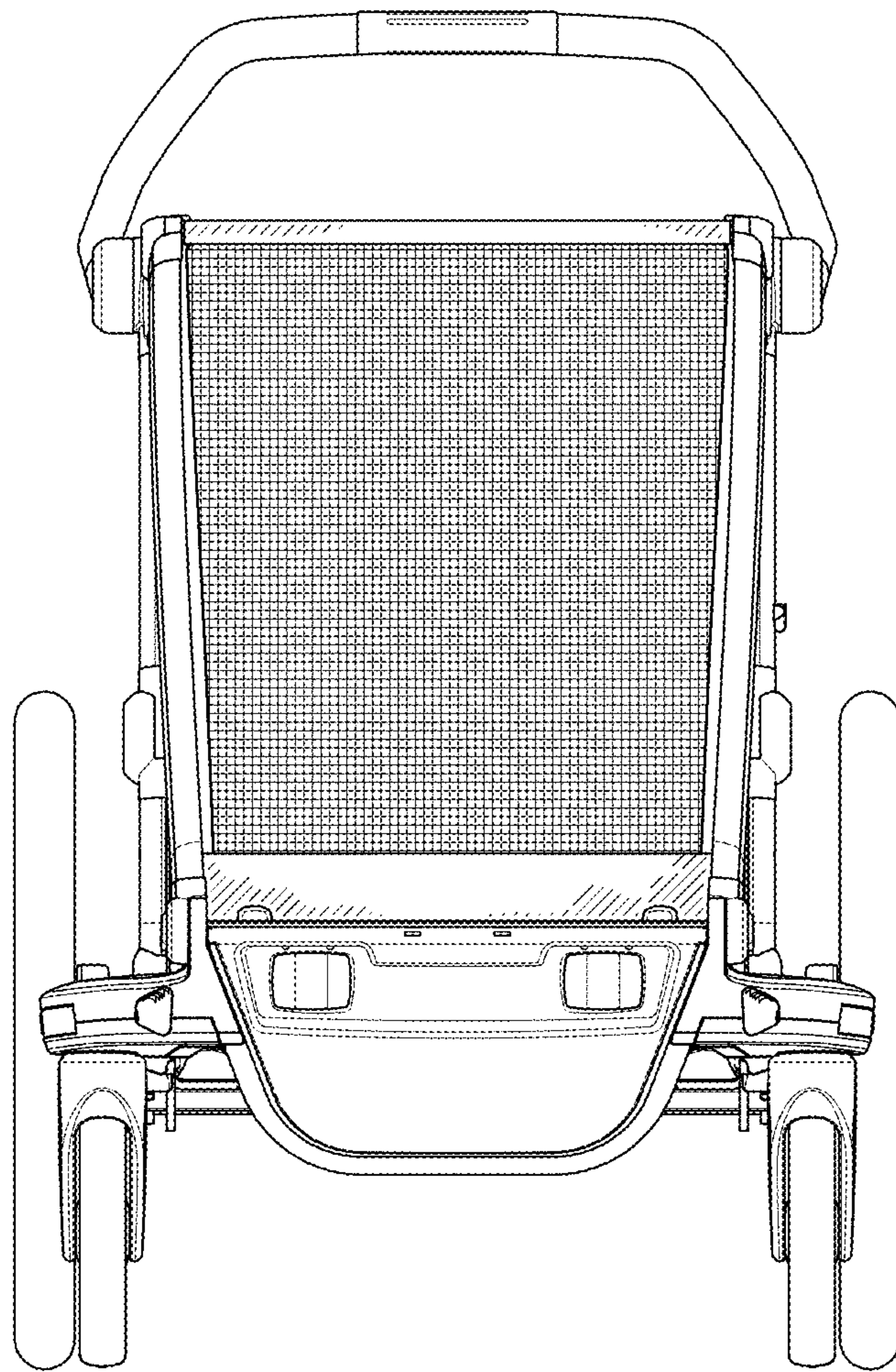


FIG. 2

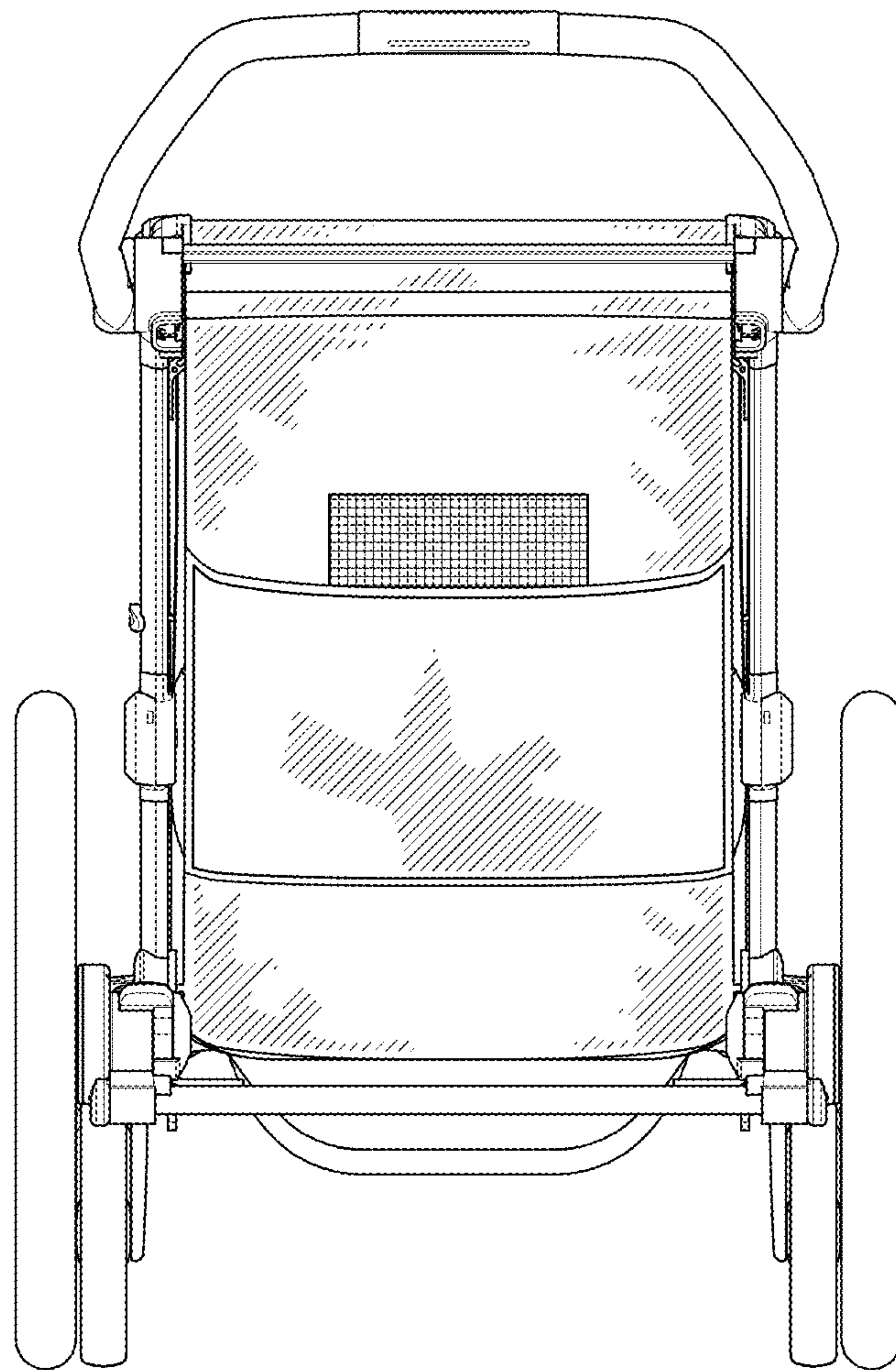


FIG. 3

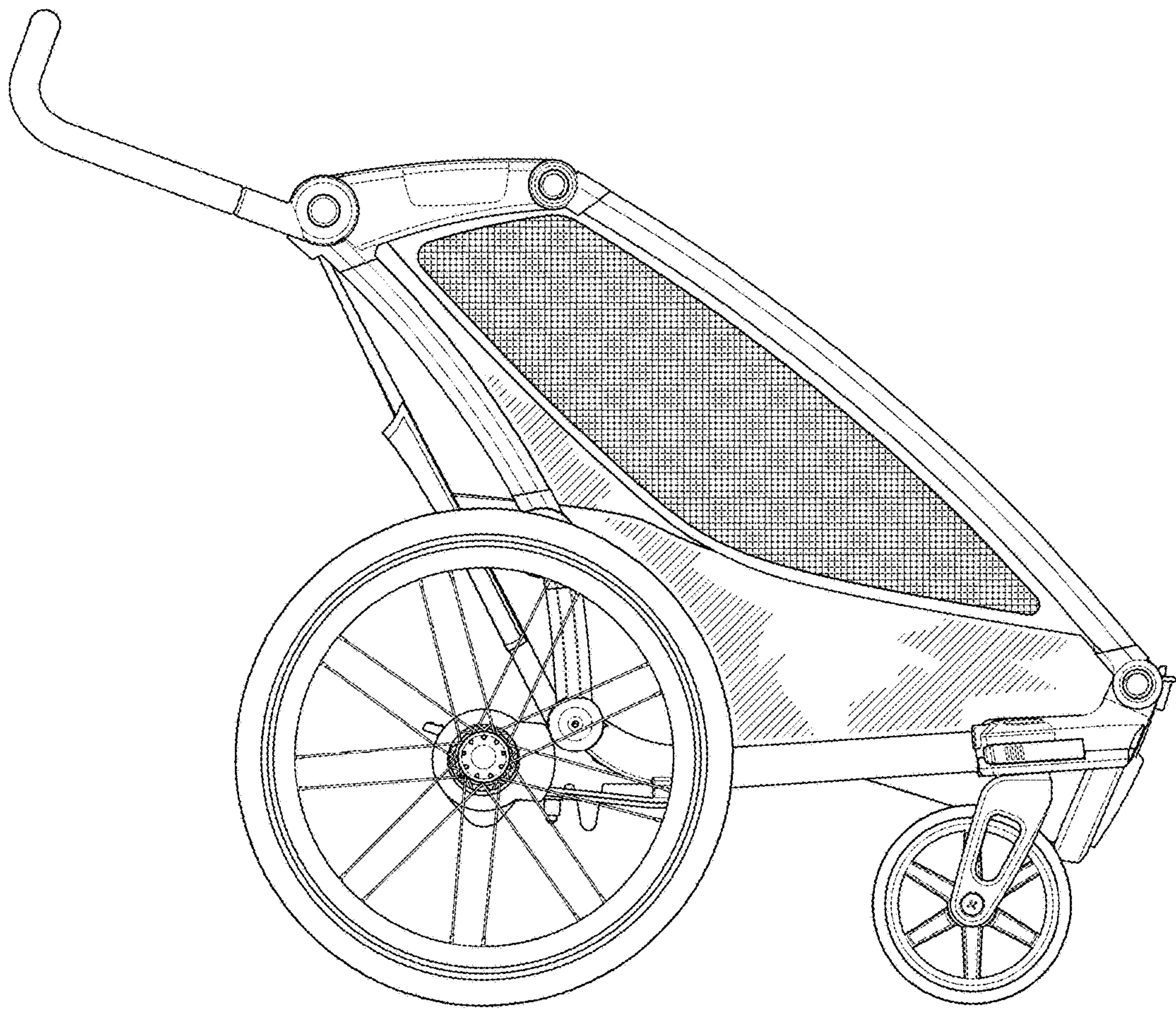


FIG. 4

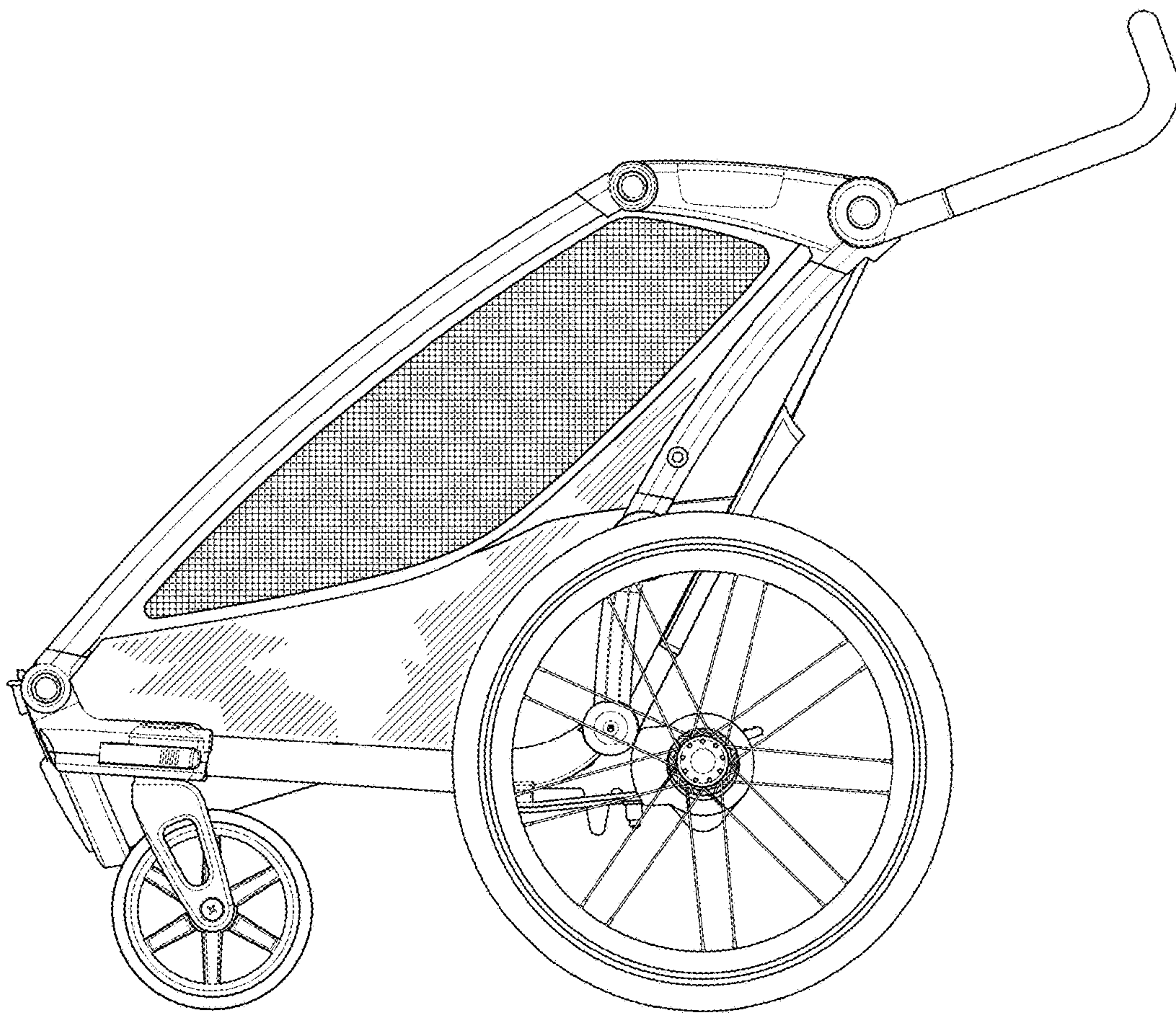


FIG. 5

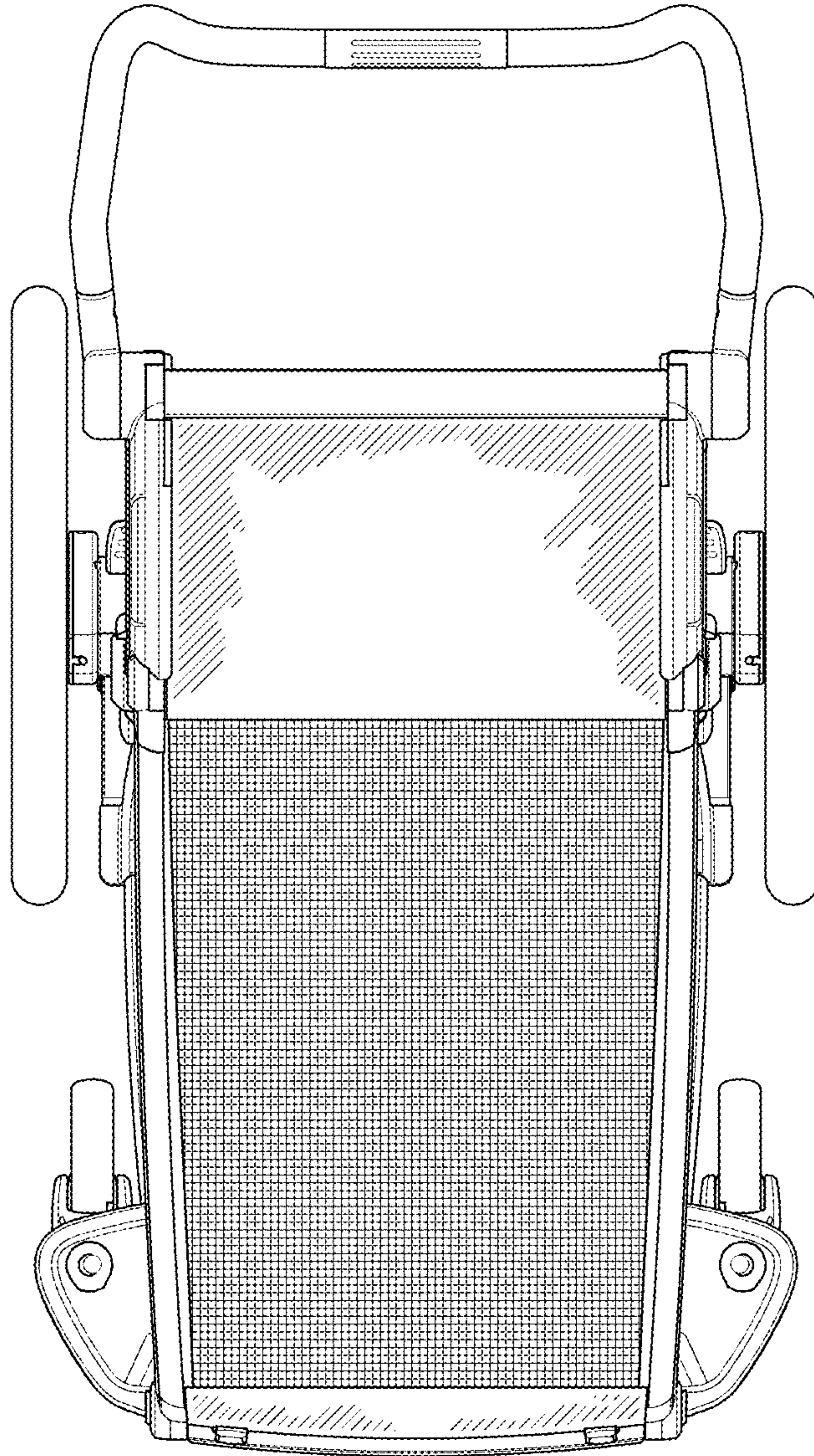


FIG. 6

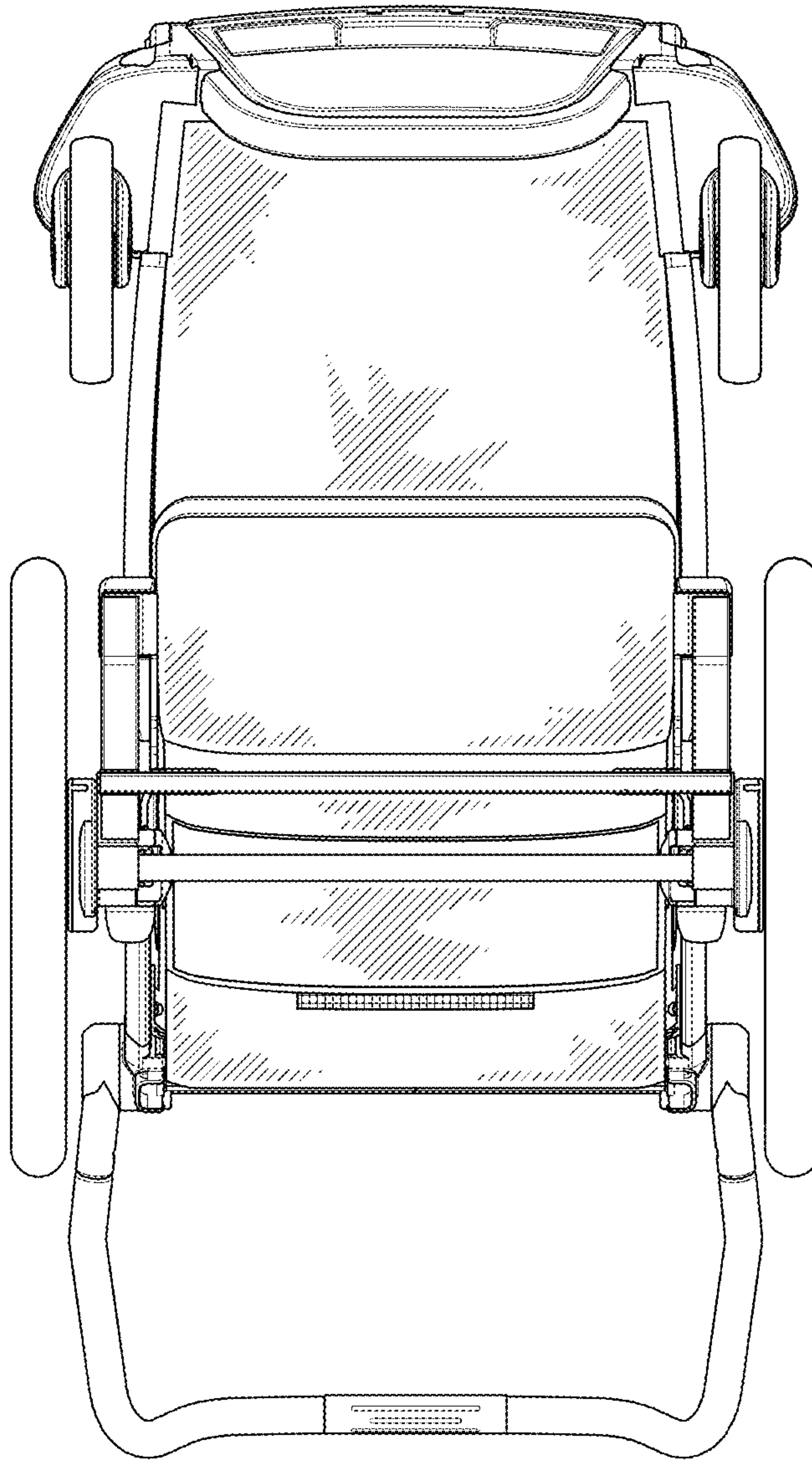


FIG. 7

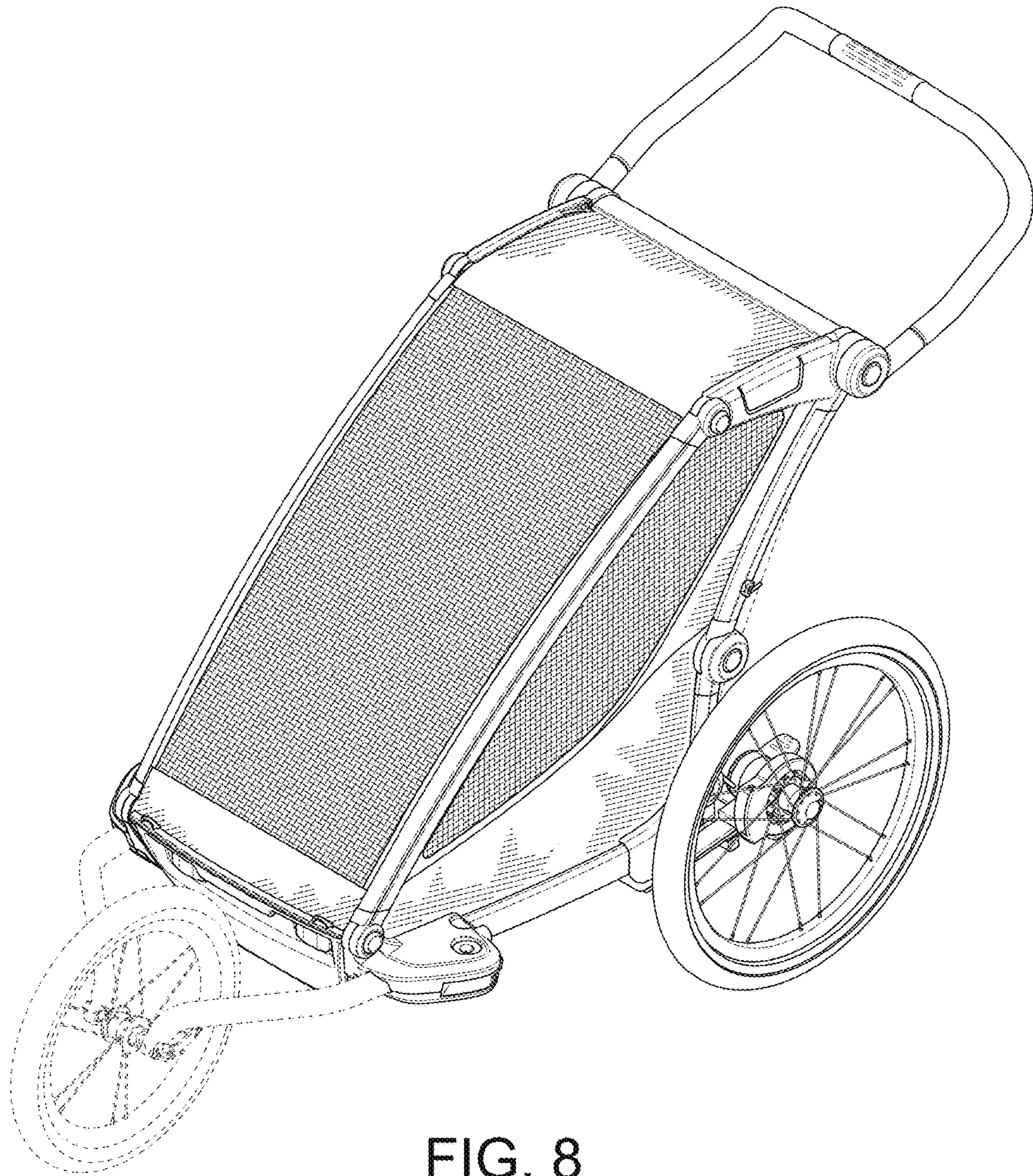


FIG. 8

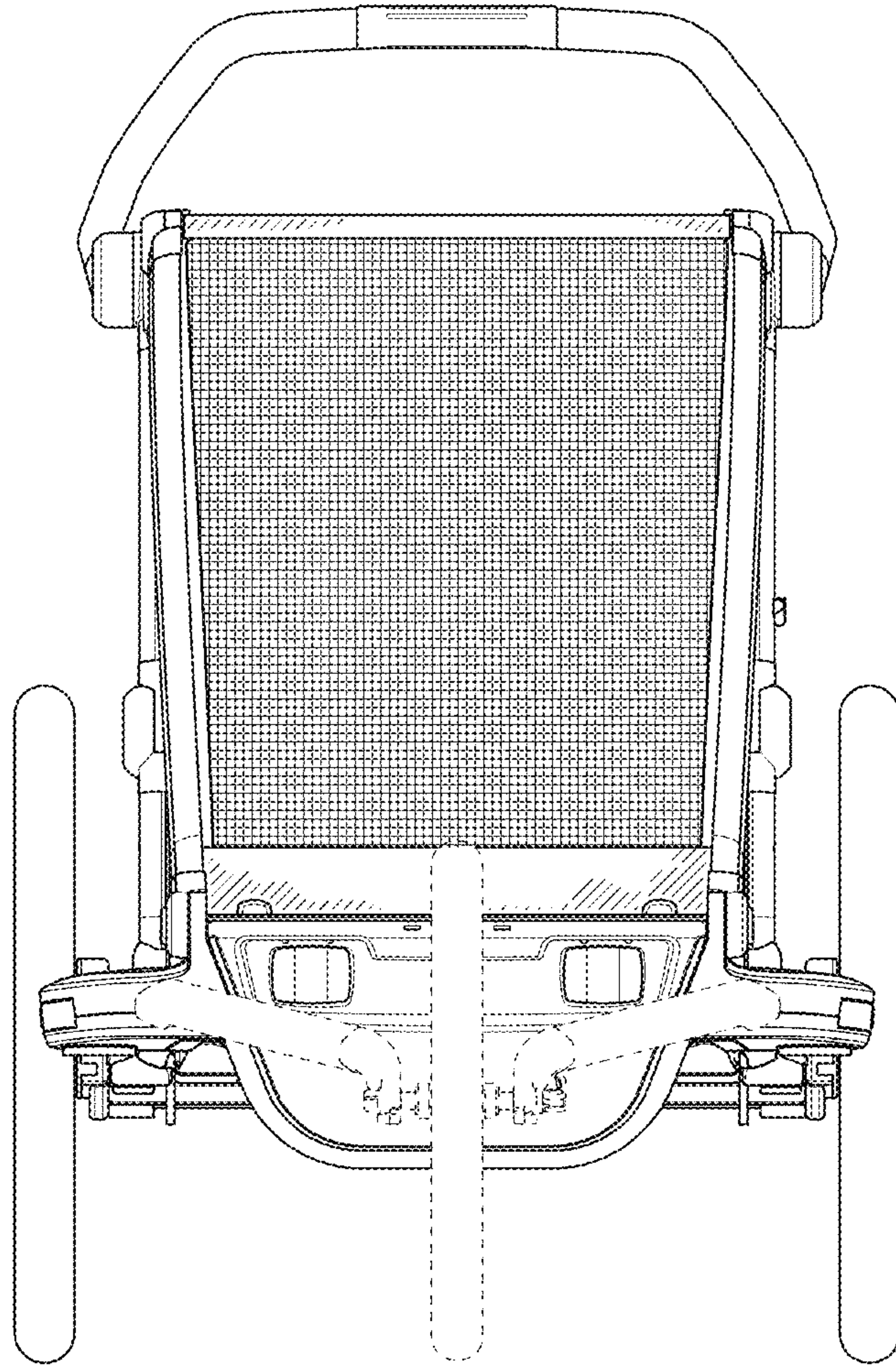


FIG. 9

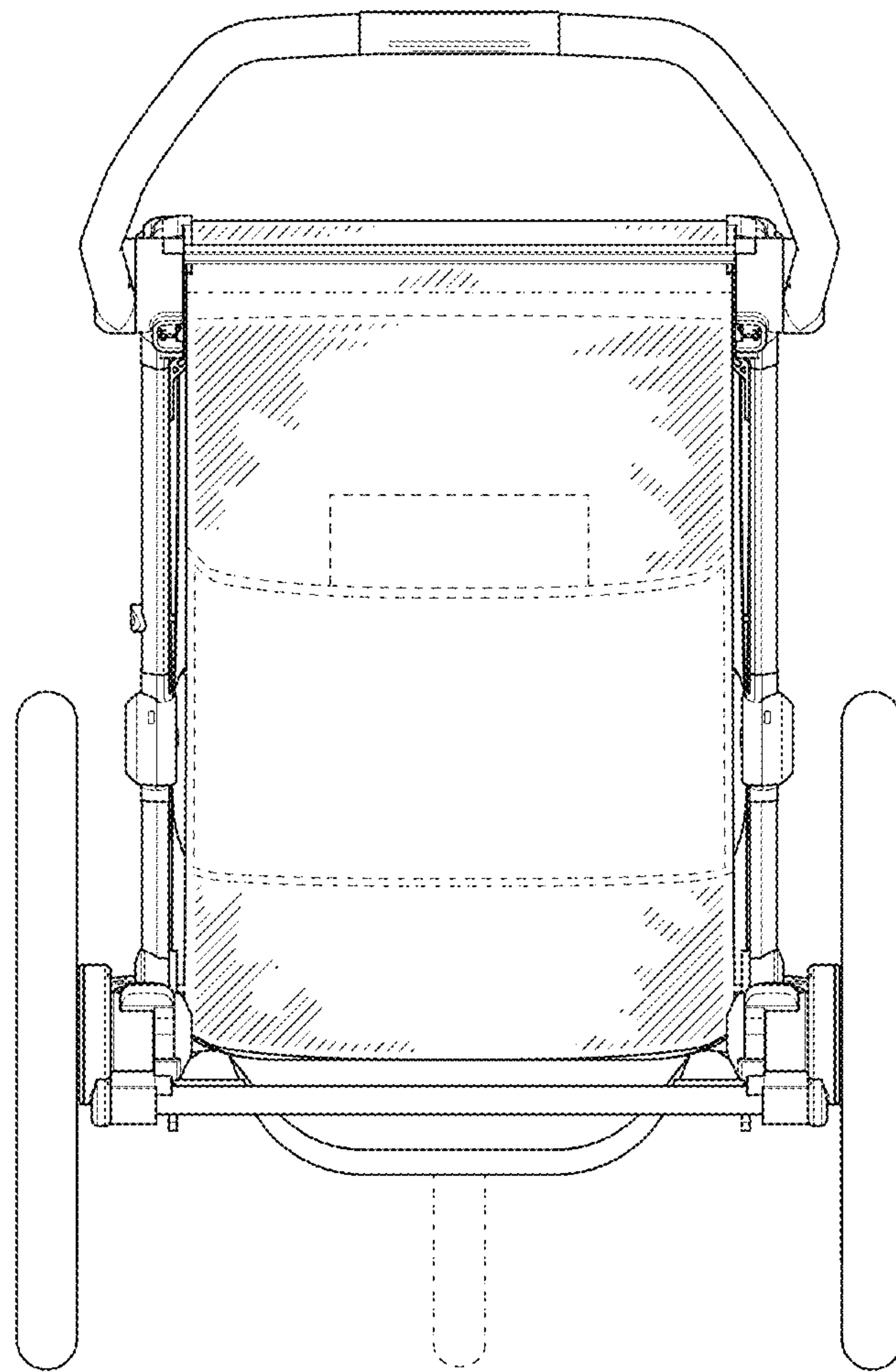


FIG. 10

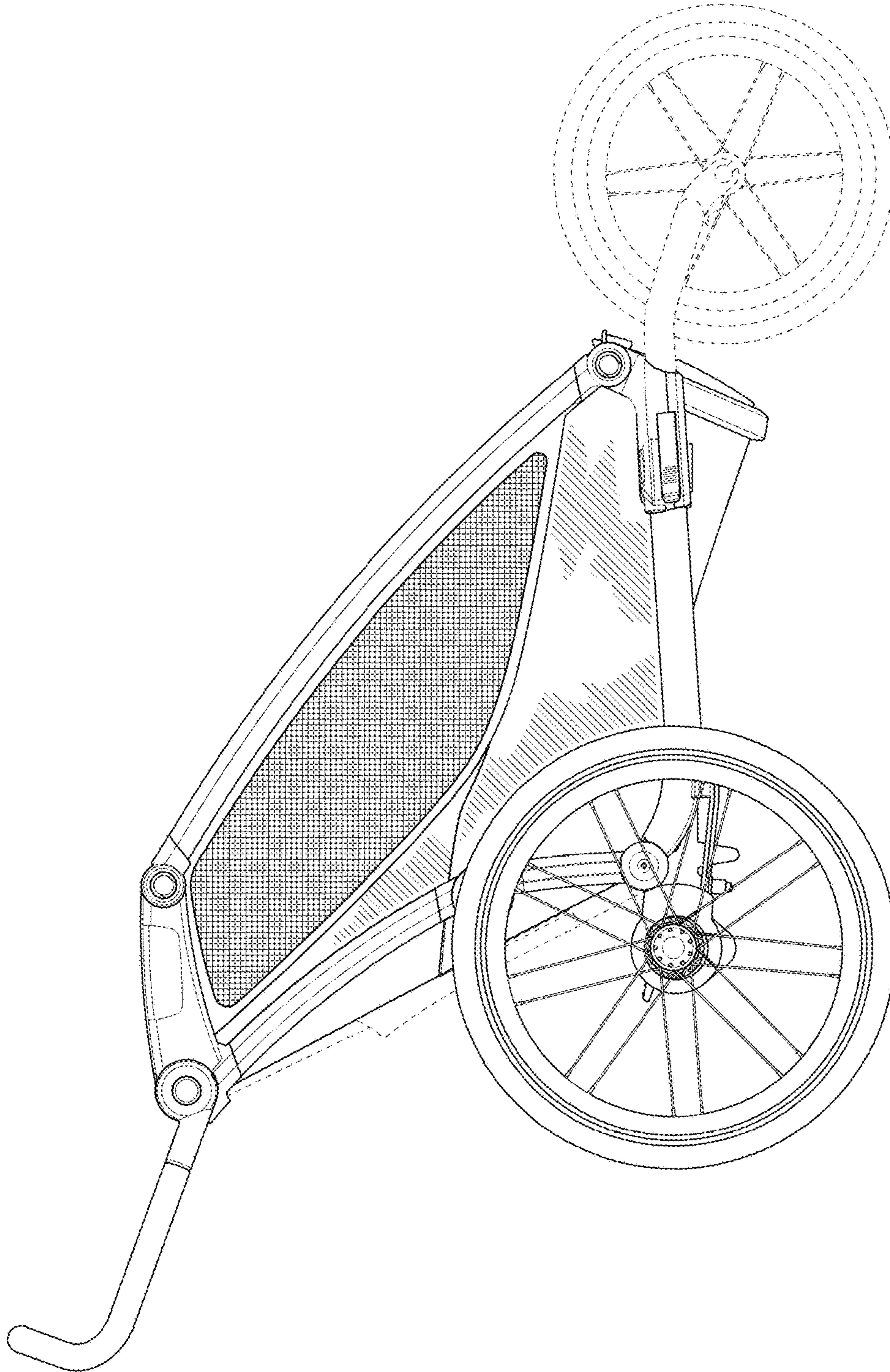


FIG. 11

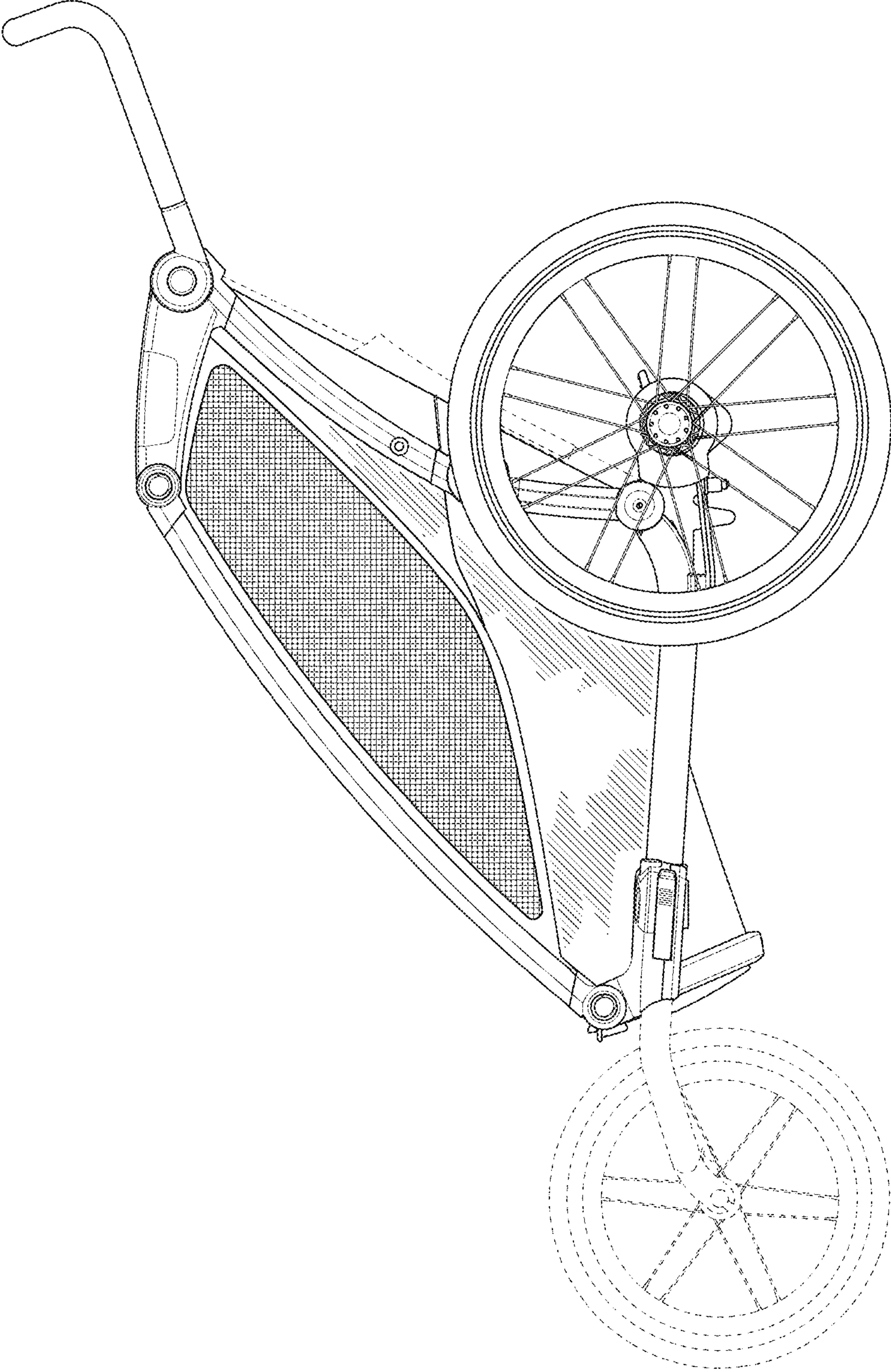


FIG. 12

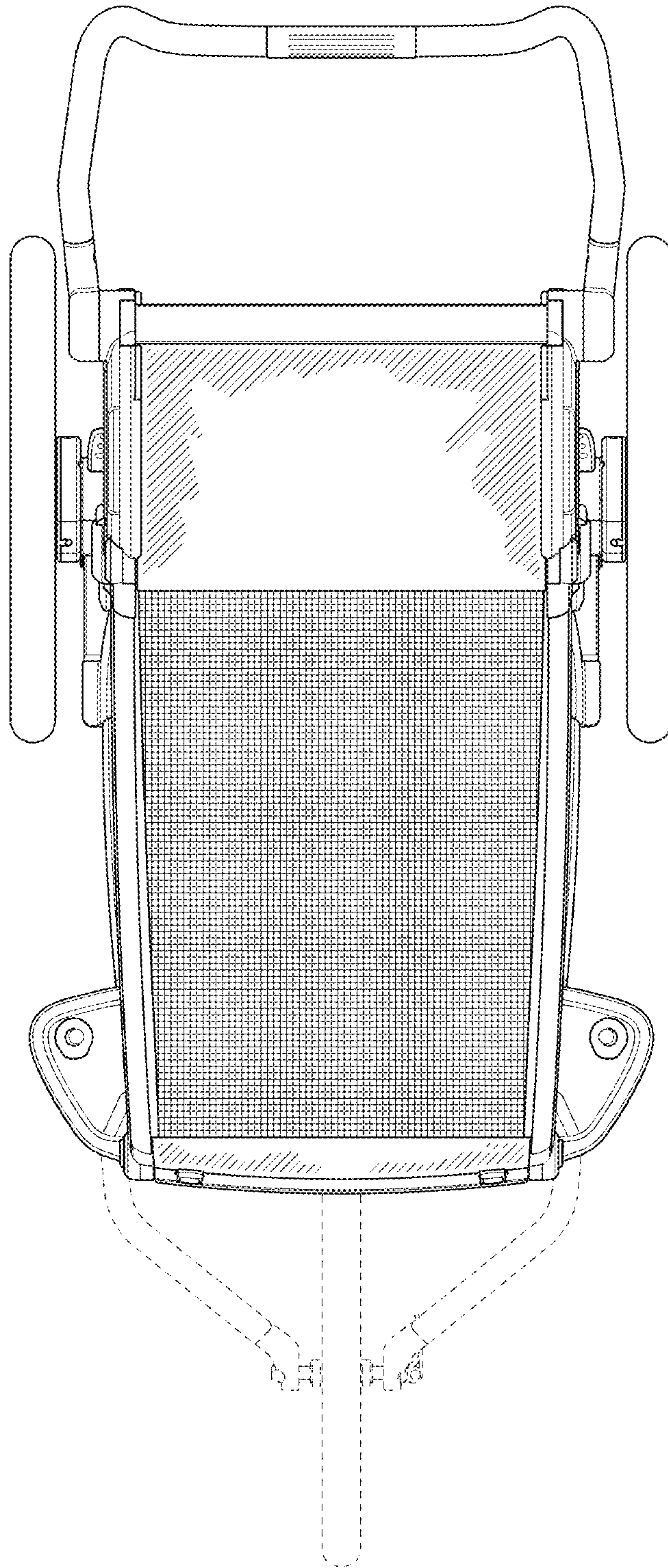


FIG. 13

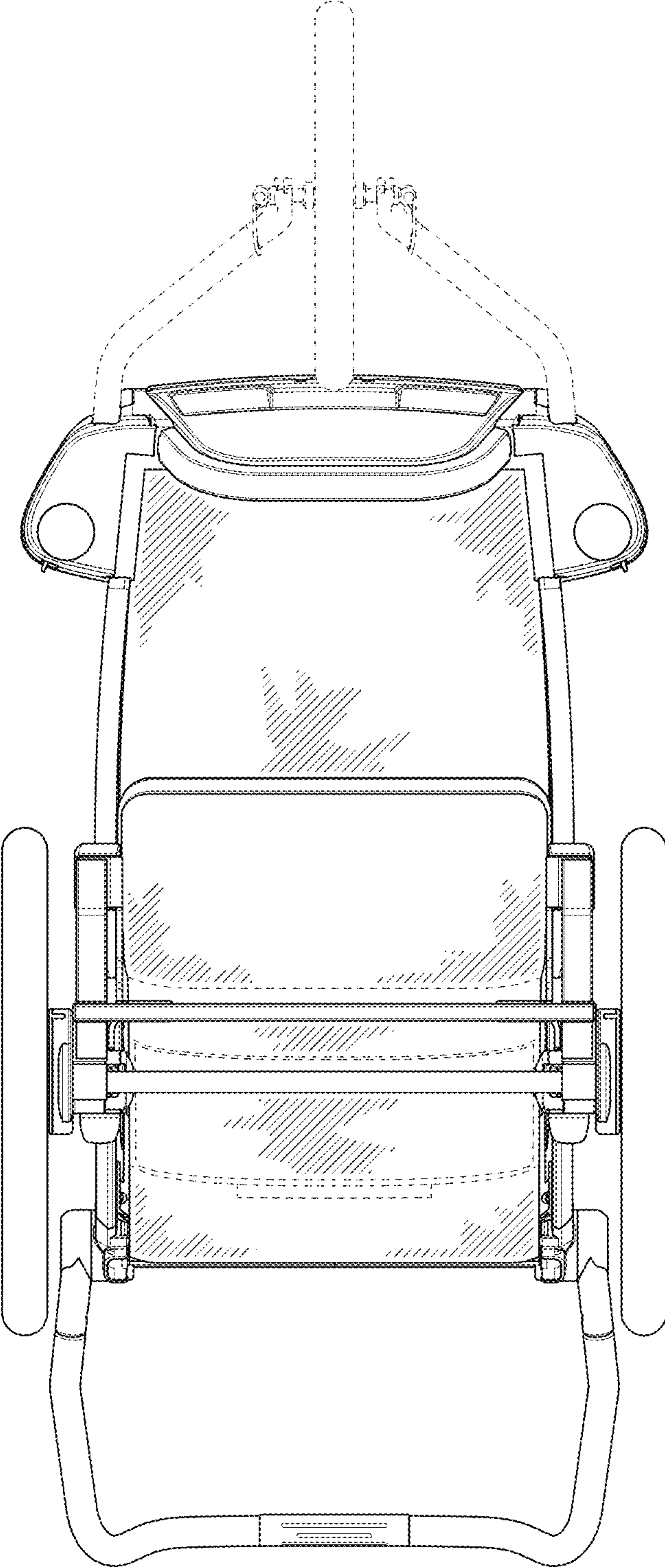


FIG. 14

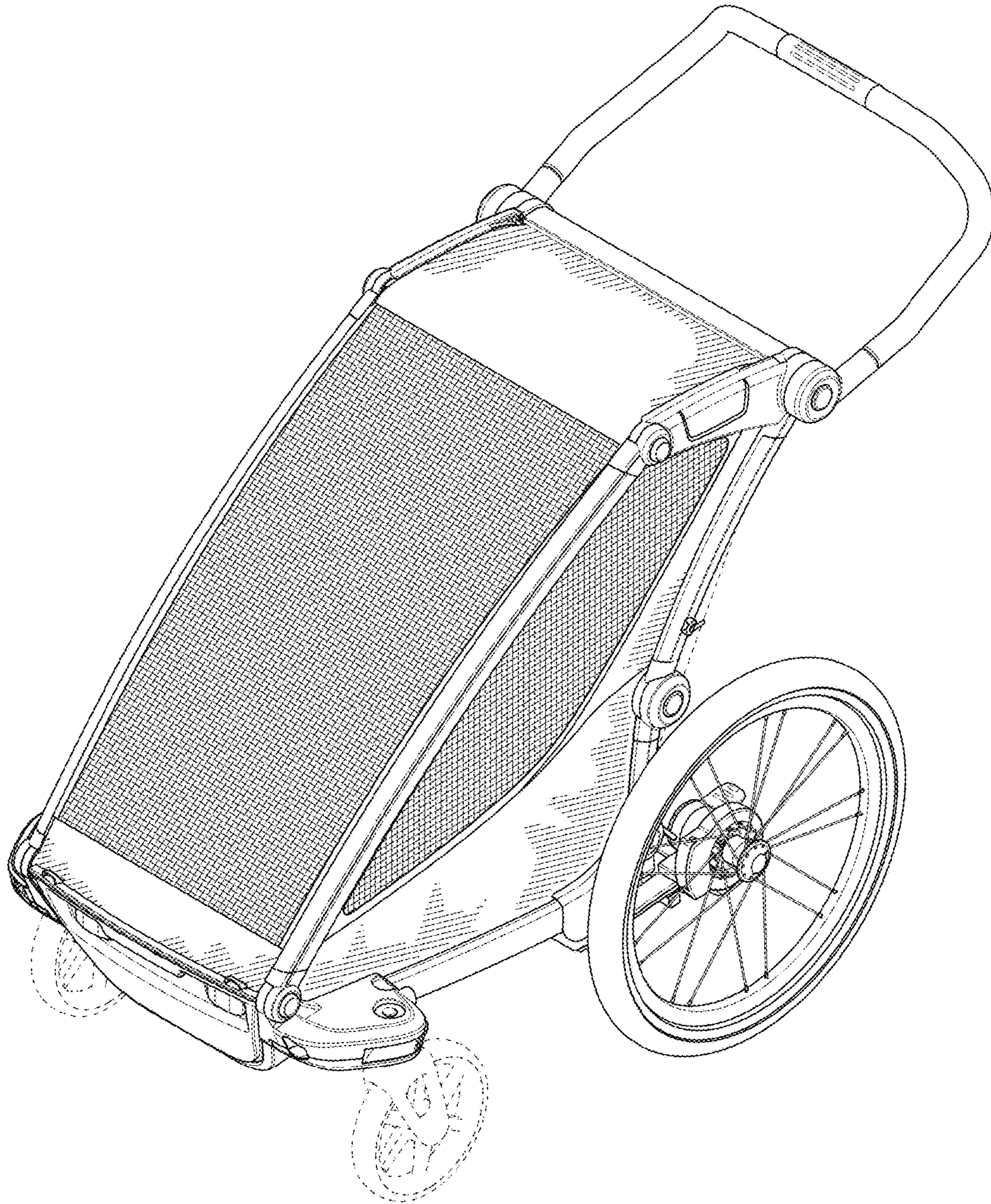


FIG. 15

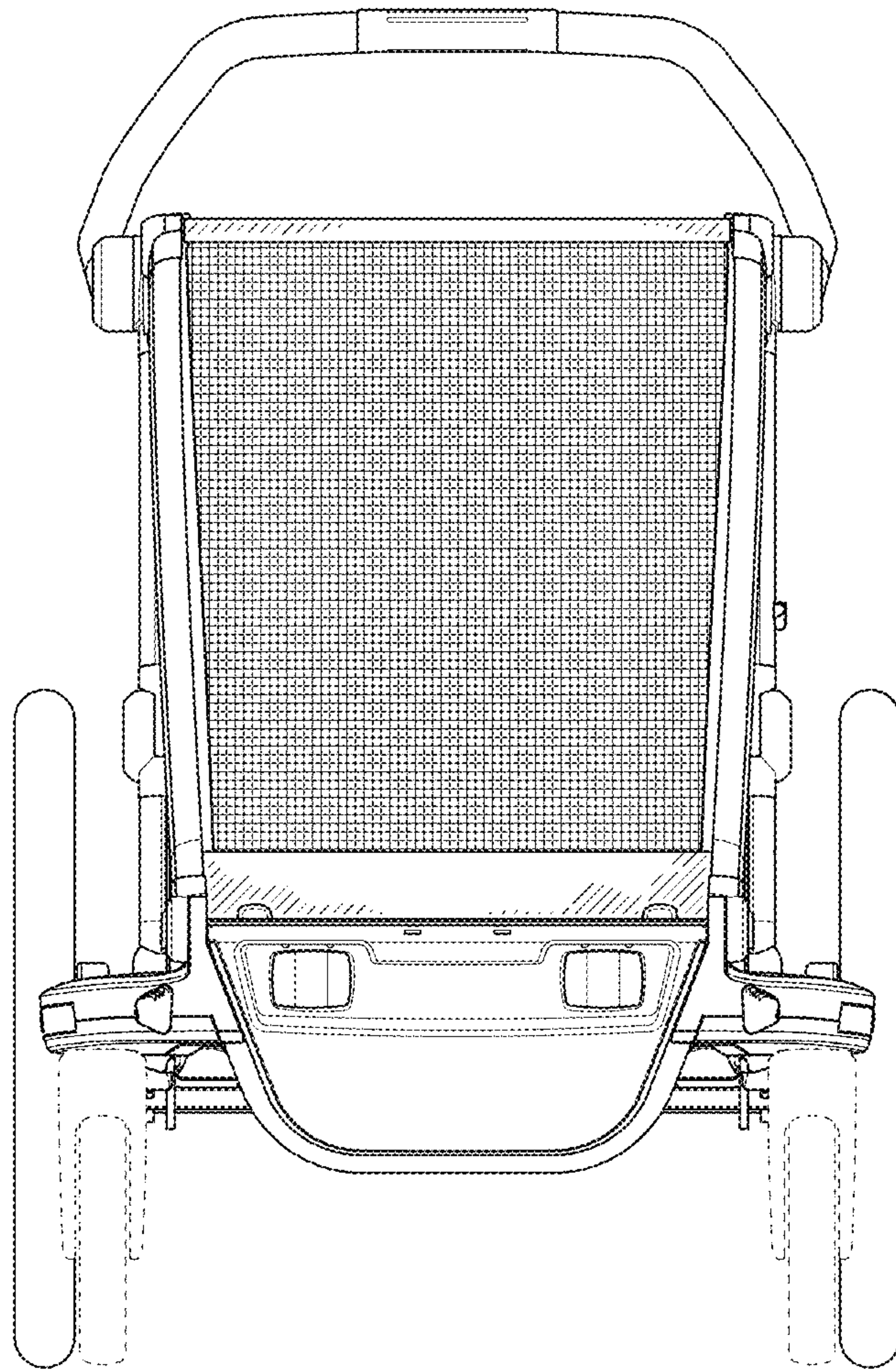


FIG. 16

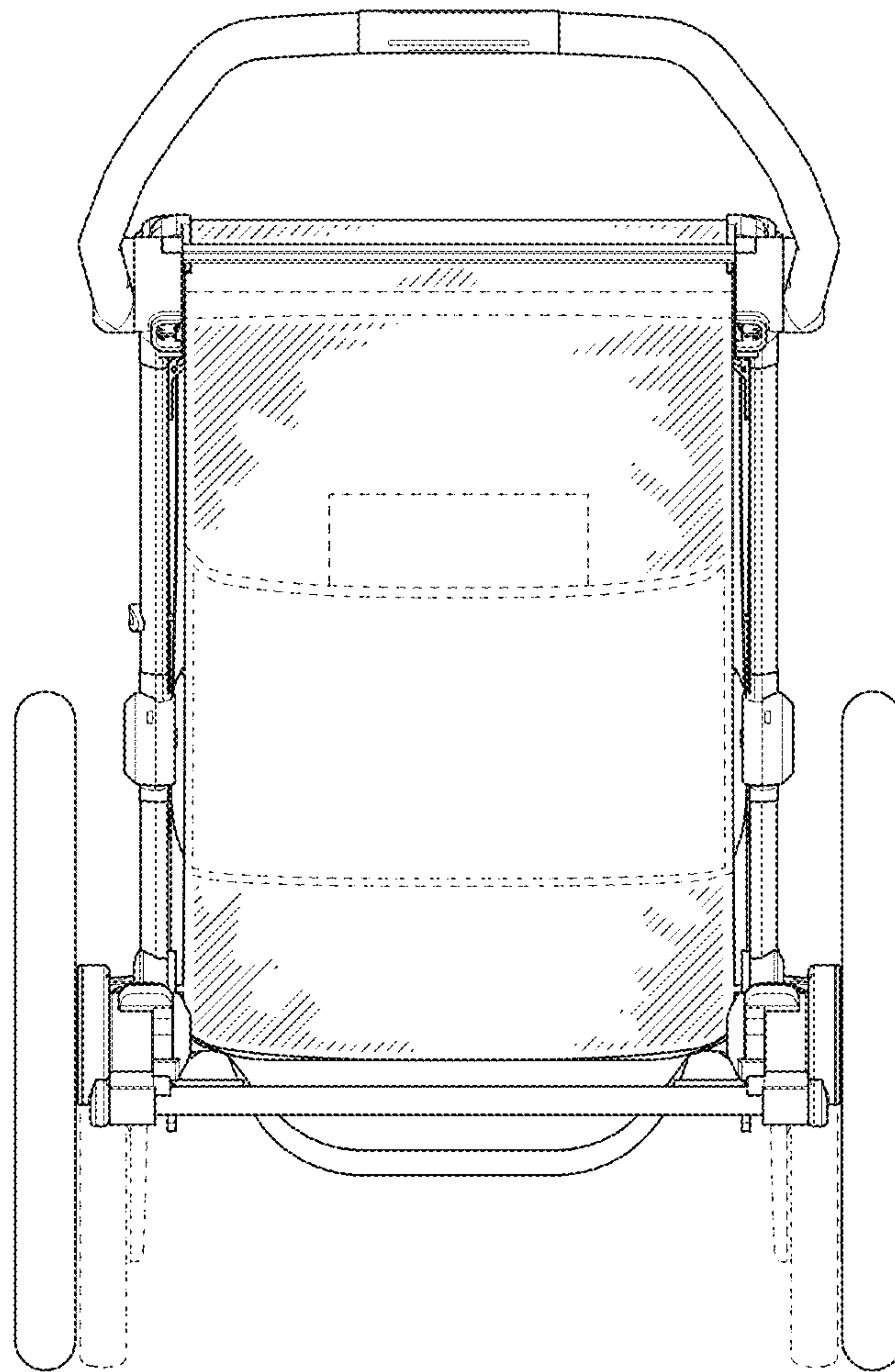


FIG. 17

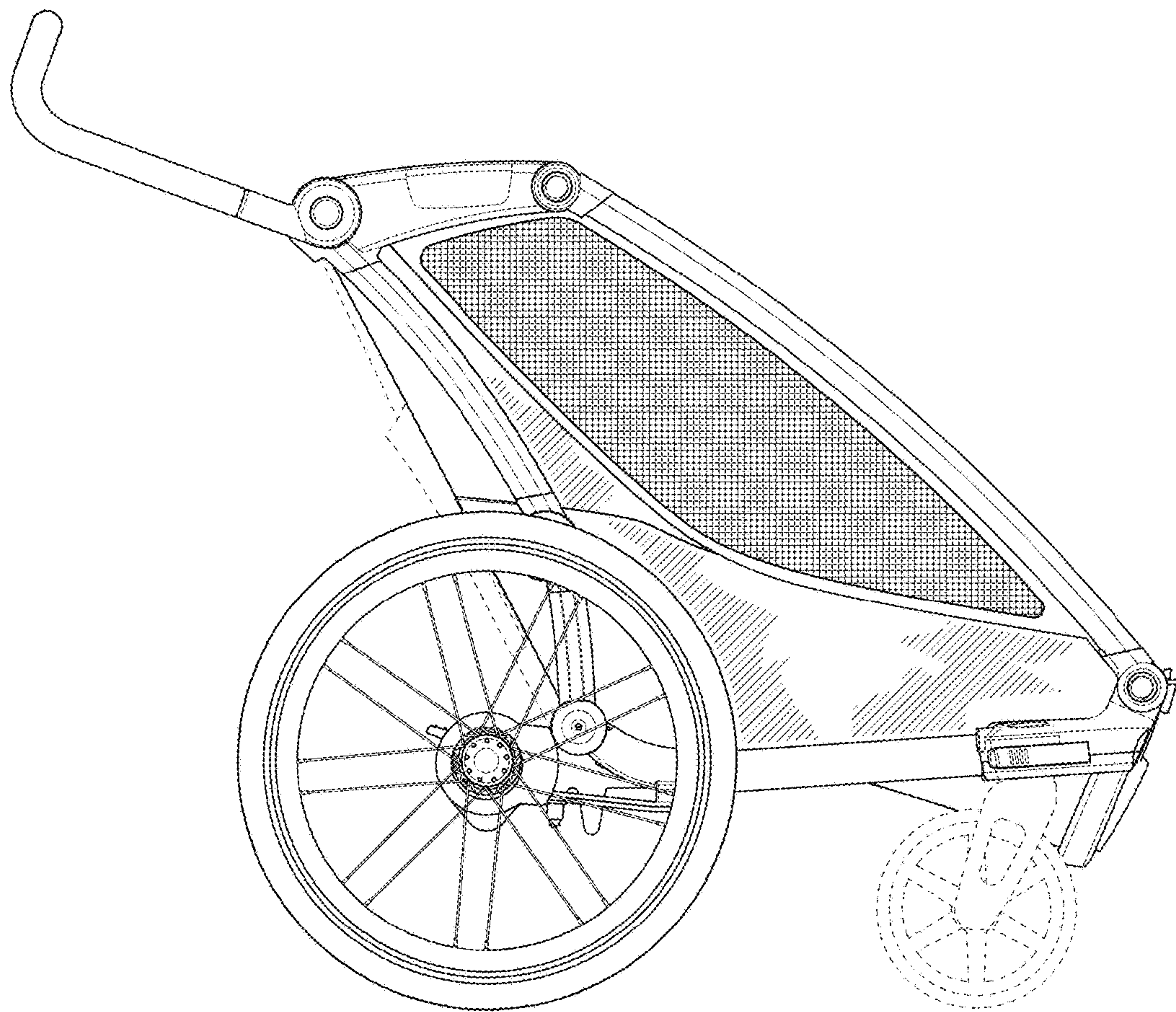


FIG. 18

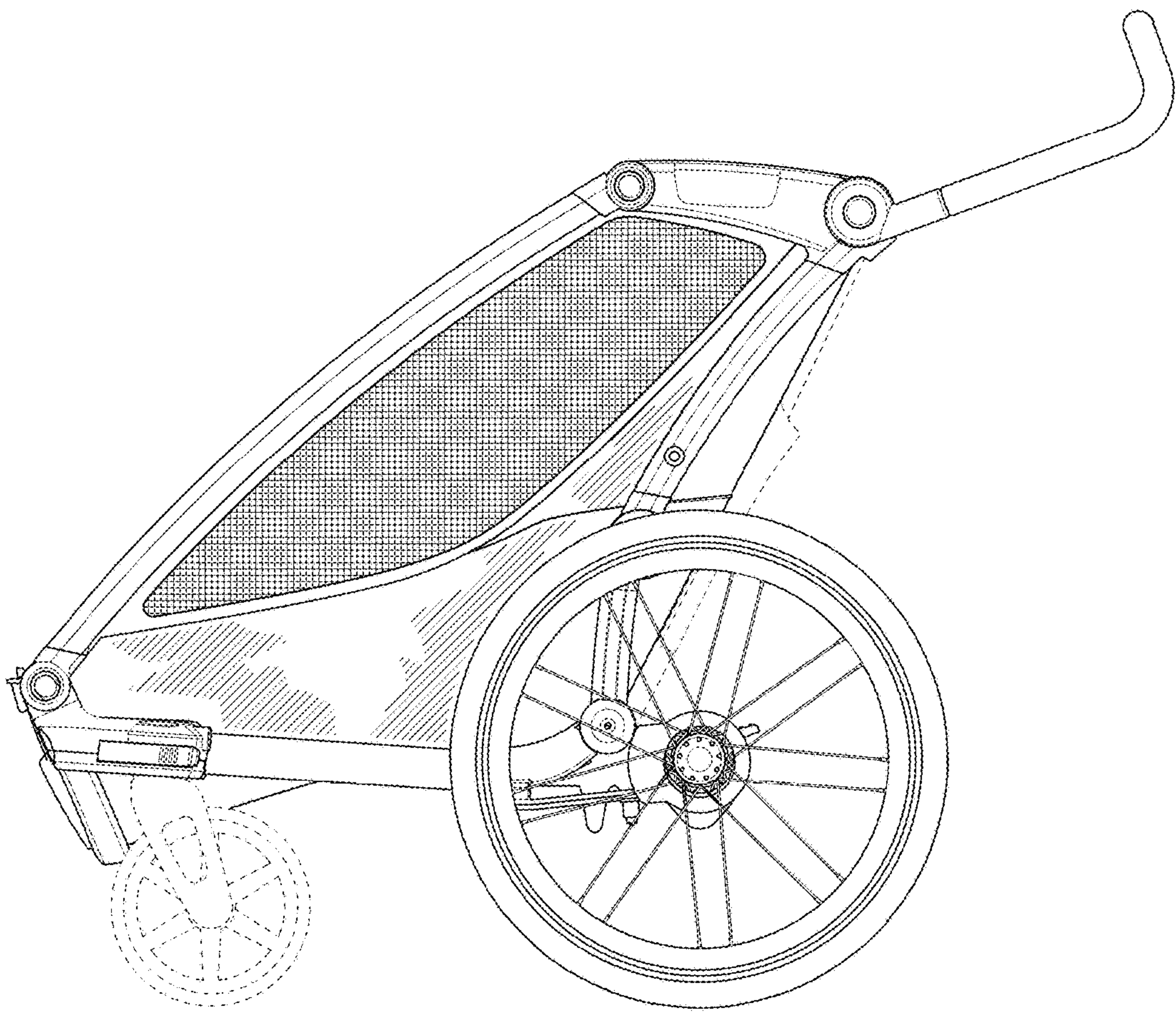


FIG. 19

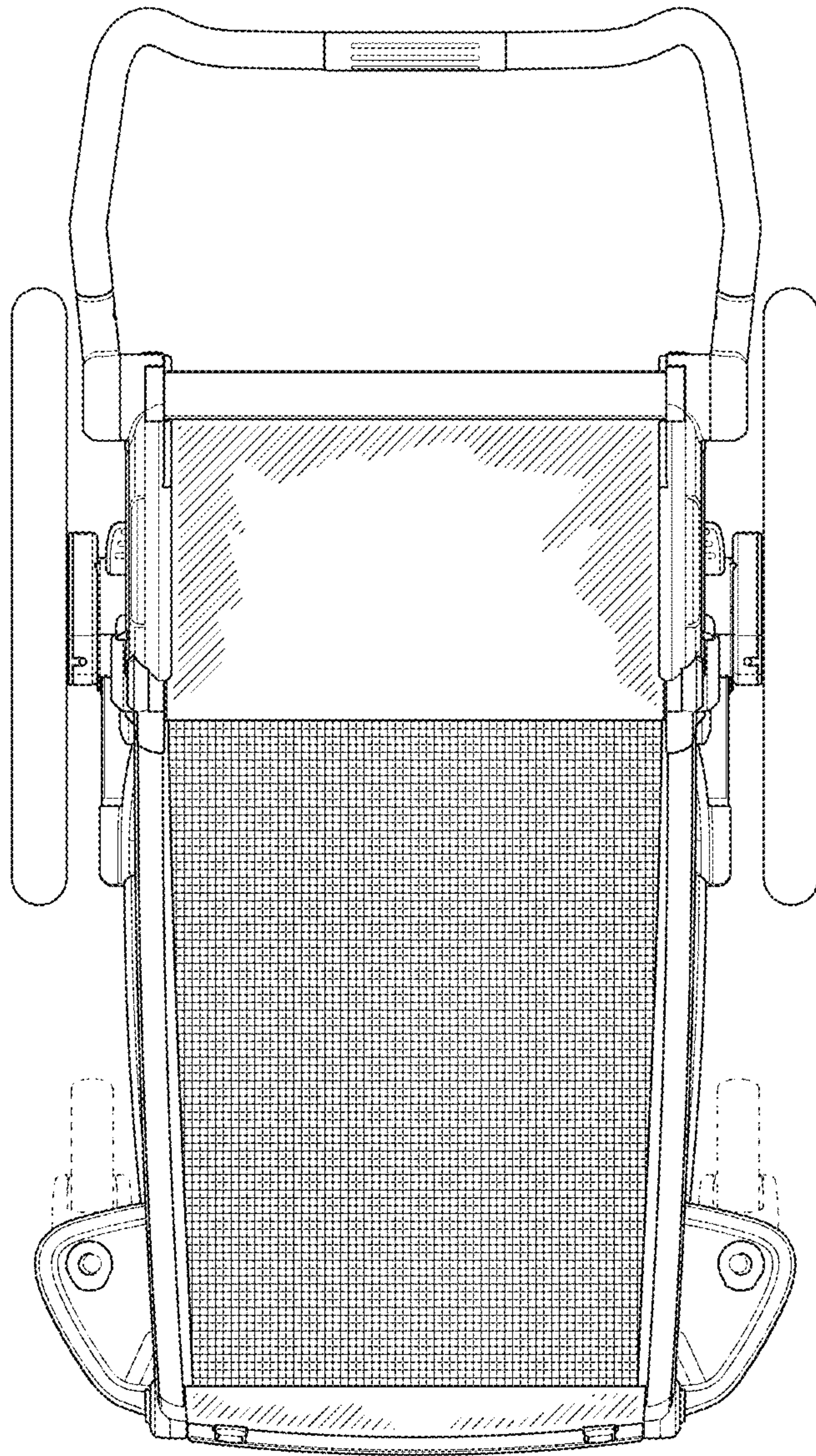


FIG. 20

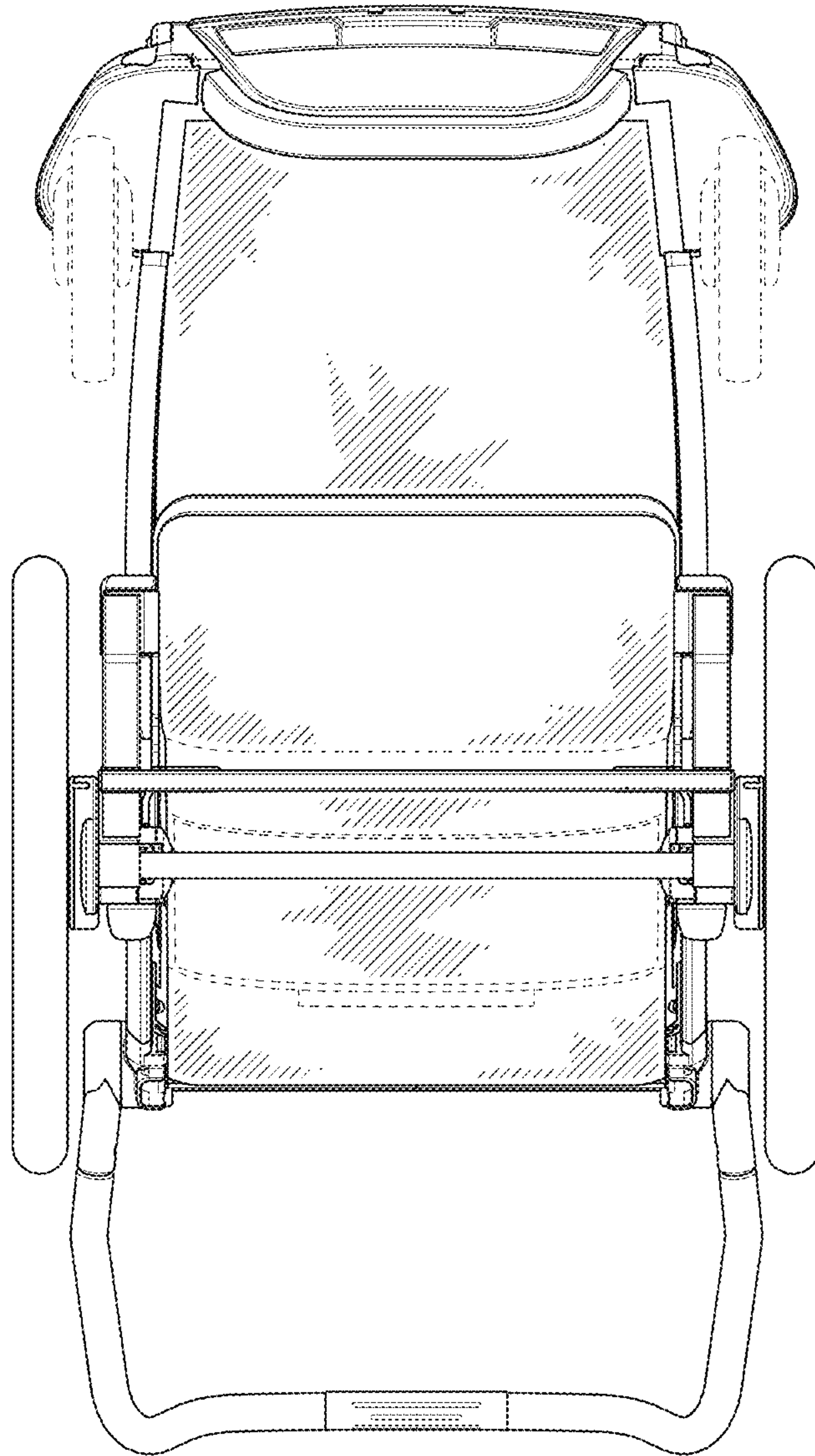


FIG. 21