

US00D793913S

(12) **United States Design Patent** (10) **Patent No.:** **US D793,913 S**
McGarry (45) **Date of Patent:** **** Aug. 8, 2017**

(54) **MOTORCYCLE CHAIN GUIDE**

(57) **CLAIM**

(71) Applicant: **T.M. Designworks, LLC**, Phoenix, OR (US)

The ornamental design for a motorcycle chain guide, as shown and described.

(72) Inventor: **Timothy McGarry**, Phoenix, OR (US)

(73) Assignee: **T.M. Designworks, LLC**, Phoenix, OR (US)

DESCRIPTION

(**) Term: **14 Years**

(21) Appl. No.: **29/492,737**

(22) Filed: **Jun. 2, 2014**

(51) **LOC (10) Cl.** **12-11**

(52) **U.S. Cl.**
USPC **D12/127**

(58) **Field of Classification Search**
USPC D12/110, 114, 126, 127; 474/69, 78-82, 474/91, 101, 109, 111, 135, 140, 474/144-146, 174; 280/304.3; 180/219
(Continued)

FIG. 1 is a rear perspective view of a design for a motorcycle chain guide according to a first embodiment of the present invention.

FIG. 2 is a front perspective view of the motorcycle chain guide of FIG. 1.

FIG. 3 is a right side view of the motorcycle chain guide of FIG. 1.

FIG. 4 is a left side view of the motorcycle chain guide of FIG. 1.

FIG. 5 is a top view of the motorcycle chain guide of FIG. 1.

FIG. 6 is a bottom view of the motorcycle chain guide of FIG. 1.

FIG. 7 is a front view of the motorcycle chain guide of FIG. 1.

FIG. 8 is a rear view of the motorcycle chain guide of FIG. 1.

FIG. 9 is a rear perspective view of a design for a motorcycle chain guide according to a second embodiment of the present invention.

FIG. 10 is a front perspective view of the motorcycle chain guide of FIG. 9.

FIG. 11 is a right side view of the motorcycle chain guide of FIG. 9.

FIG. 12 is a left side view of the motorcycle chain guide of FIG. 9.

FIG. 13 is a top view of the motorcycle chain guide of FIG. 9.

FIG. 14 is a bottom view of the motorcycle chain guide of FIG. 9.

FIG. 15 is a front view of the motorcycle chain guide of FIG. 9; and,

FIG. 16 is a rear view of the motorcycle chain guide of FIG. 9.

(56) **References Cited**

U.S. PATENT DOCUMENTS

D239,166 S * 3/1976 Kawata et al. D12/24
D367,250 S * 2/1996 Kartchner D12/127
(Continued)

OTHER PUBLICATIONS

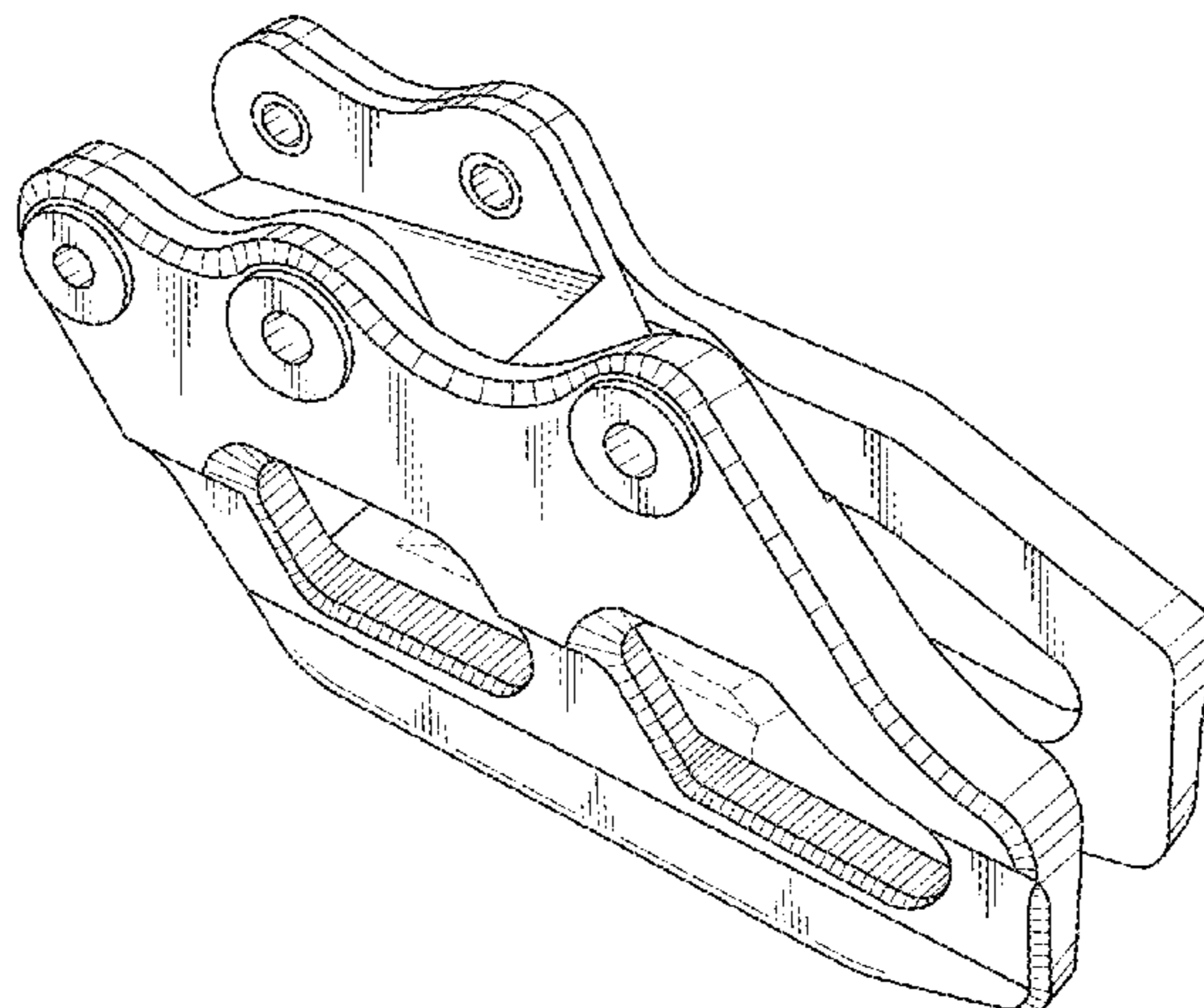
Hilderbrand, JC. "LeoVince Carbon Fiber Parts Review." Motorcycle USA., Sep. 28, 2010 [online], [retrieved on Aug. 7, 2015]. Retrieved from the Internet <URL: <http://www.motorcycle-usa.com/2010/09/article/leovince-carbon-fiber-parts-review/>>.*

(Continued)

Primary Examiner — Darlington Ly

(74) *Attorney, Agent, or Firm* — Alleman Hall Creasman & Tuttle LLP

(Continued)



The dashed lines in the drawings illustrate portions of the motorcycle chain guide that form no part of the claimed design.

1 Claim, 6 Drawing Sheets

(58) **Field of Classification Search**

CPC B62J 13/00; B62M 9/16; F16H 7/18
See application file for complete search history.

(56) **References Cited**

U.S. PATENT DOCUMENTS

| | | | | | | |
|--------------|----|---|---------|----------------|-------|---------|
| D411,148 | S | * | 6/1999 | Swenson et al. | | D12/126 |
| D443,238 | S | * | 6/2001 | Carlson | | D12/179 |
| D532,720 | S | * | 11/2006 | McGarry | | D12/127 |
| D592,559 | S | * | 5/2009 | McGarry | | D12/126 |
| D600,600 | S | * | 9/2009 | McGarry | | D12/127 |
| D601,465 | S | * | 10/2009 | McGarry | | D12/127 |
| D621,417 | S | * | 8/2010 | McGarry | | D15/5 |
| D621,851 | S | * | 8/2010 | McGarry | | D15/5 |
| 7,771,303 | B2 | * | 8/2010 | Fuse et al. | | 474/144 |
| 2005/0159260 | A1 | * | 7/2005 | Gogo | | 474/111 |
| 2007/0087877 | A1 | * | 4/2007 | McGarry | | 474/144 |

OTHER PUBLICATIONS

Antonovich, Michael. "Pro Circuit Carbon Fiber Chain Guide." Transworld Motocross., Mar. 8, 2012 [online], [retrieved on Aug. 7, 2015]. Retrieved from the Internet <URL: <http://motocross.transworld.net/news/pro-circuit-carbon-fiber-chain-guide/#h9KYh6tlcbBUyjsQ.97>>.*

* cited by examiner

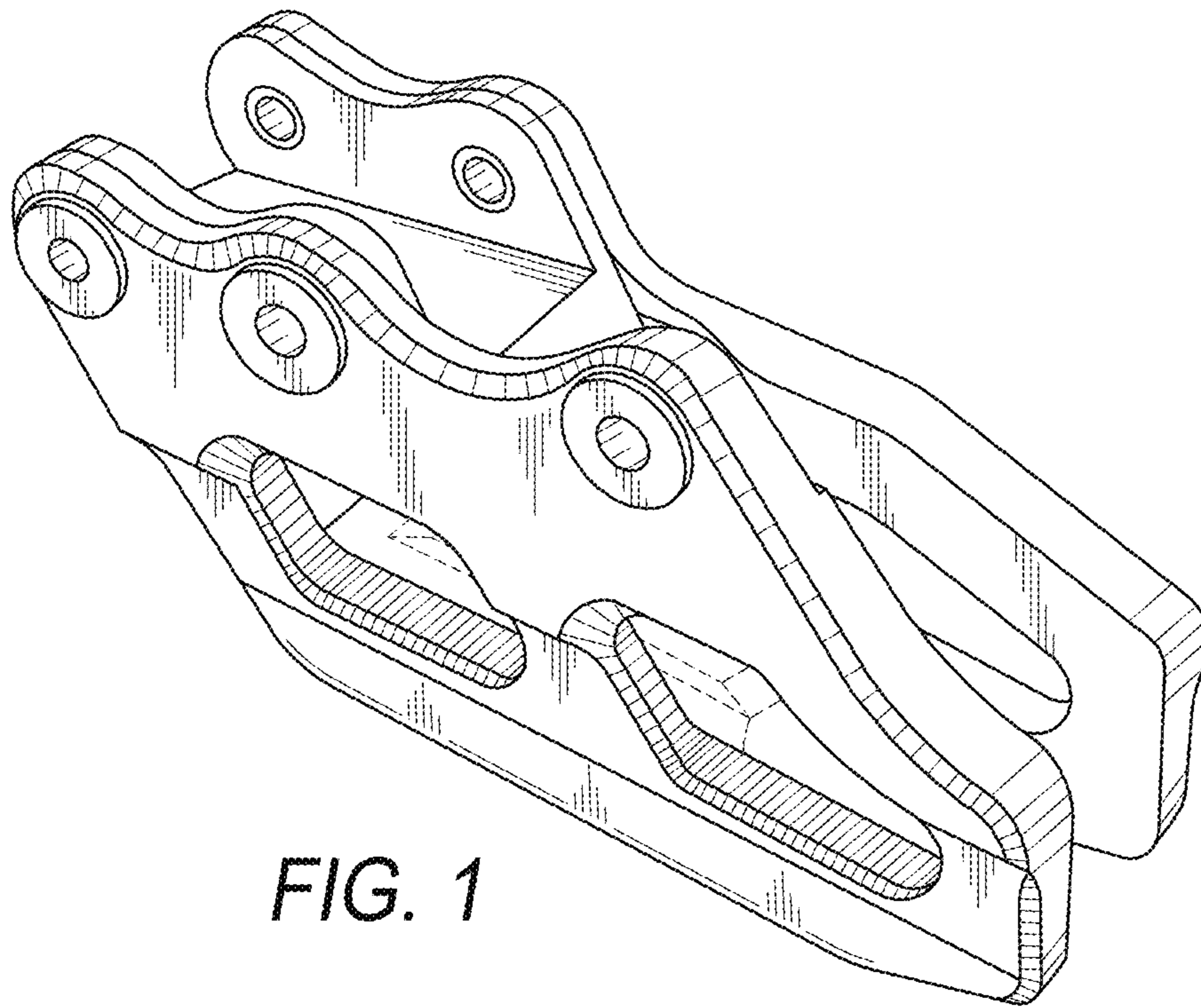


FIG. 1

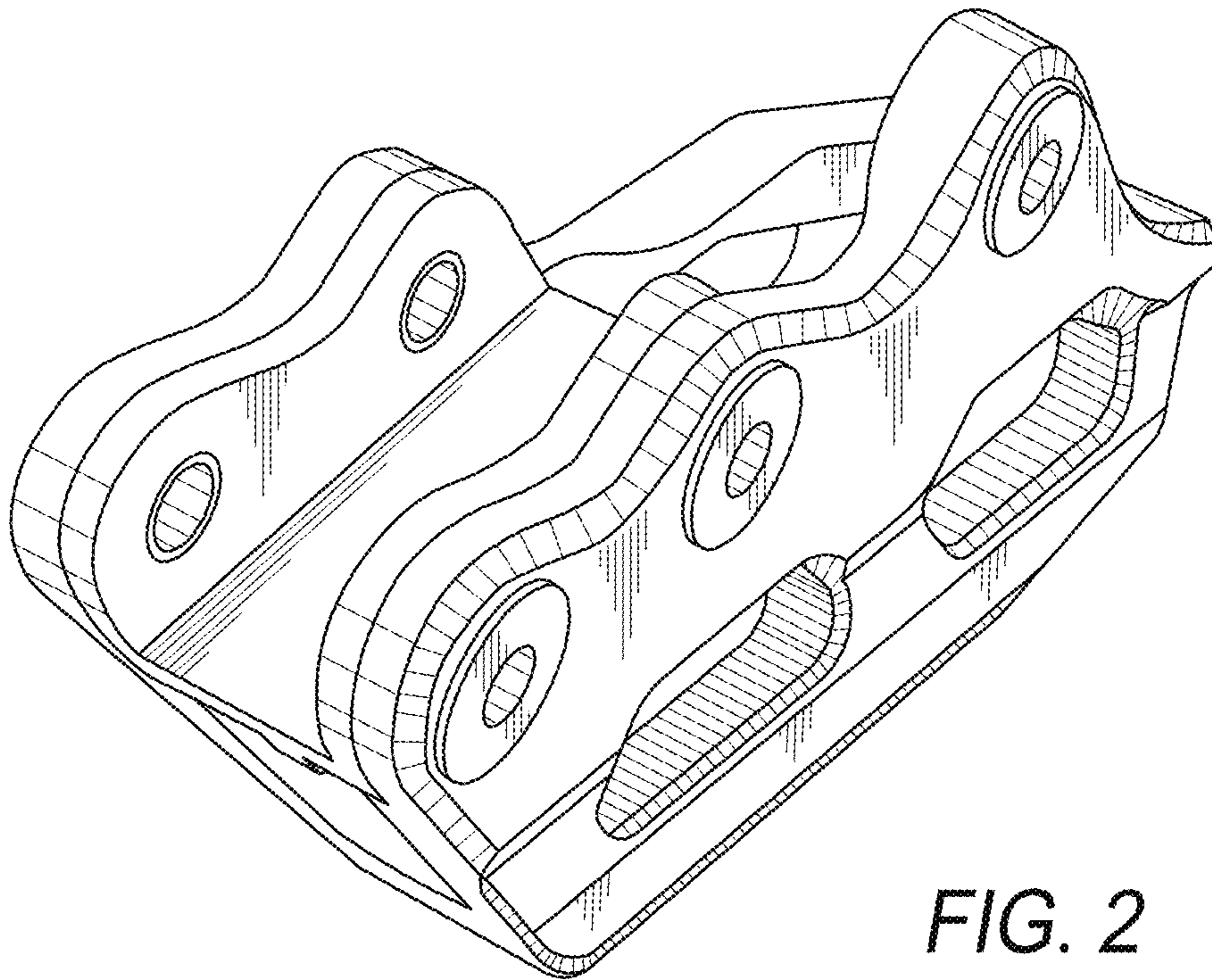


FIG. 2

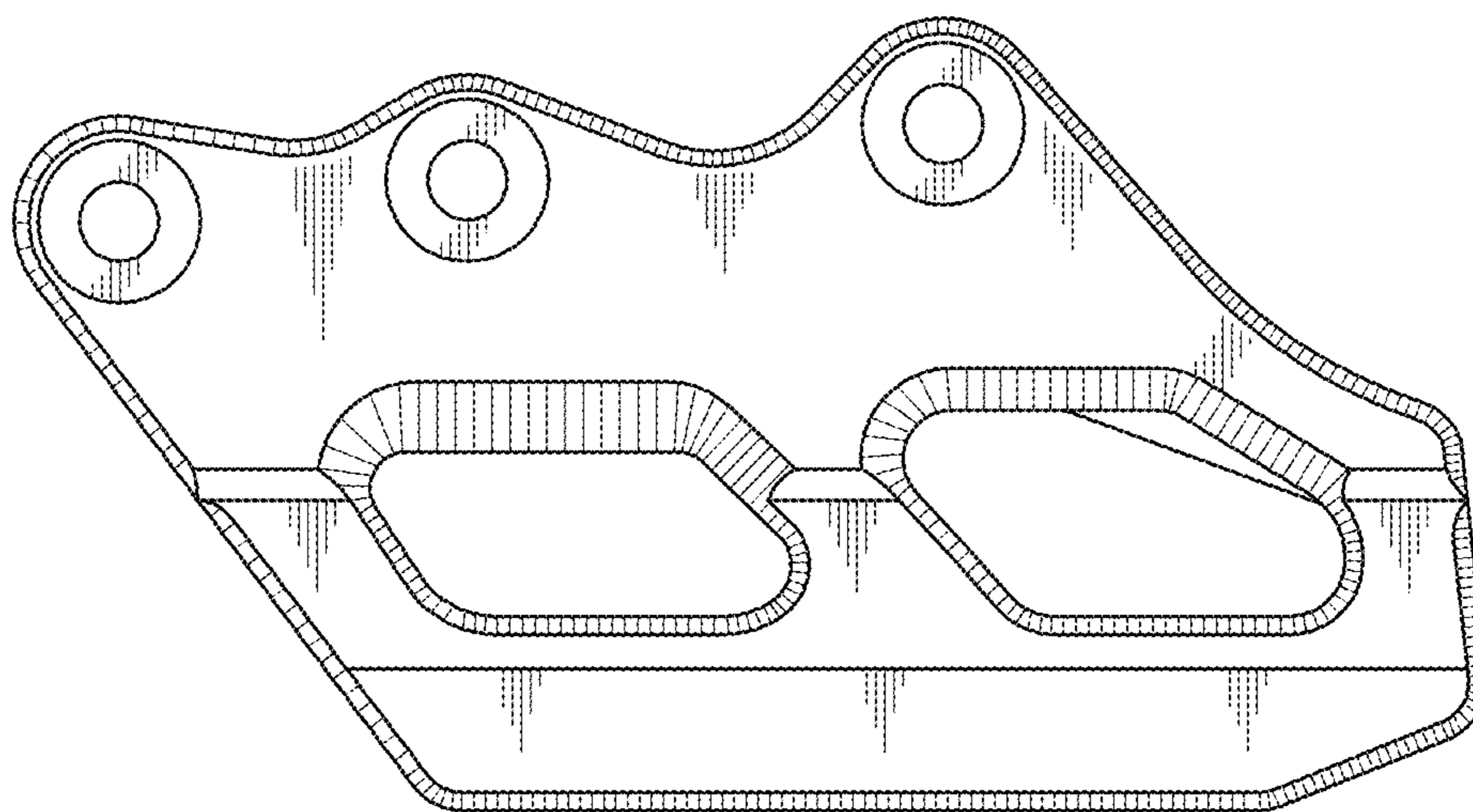


FIG. 3

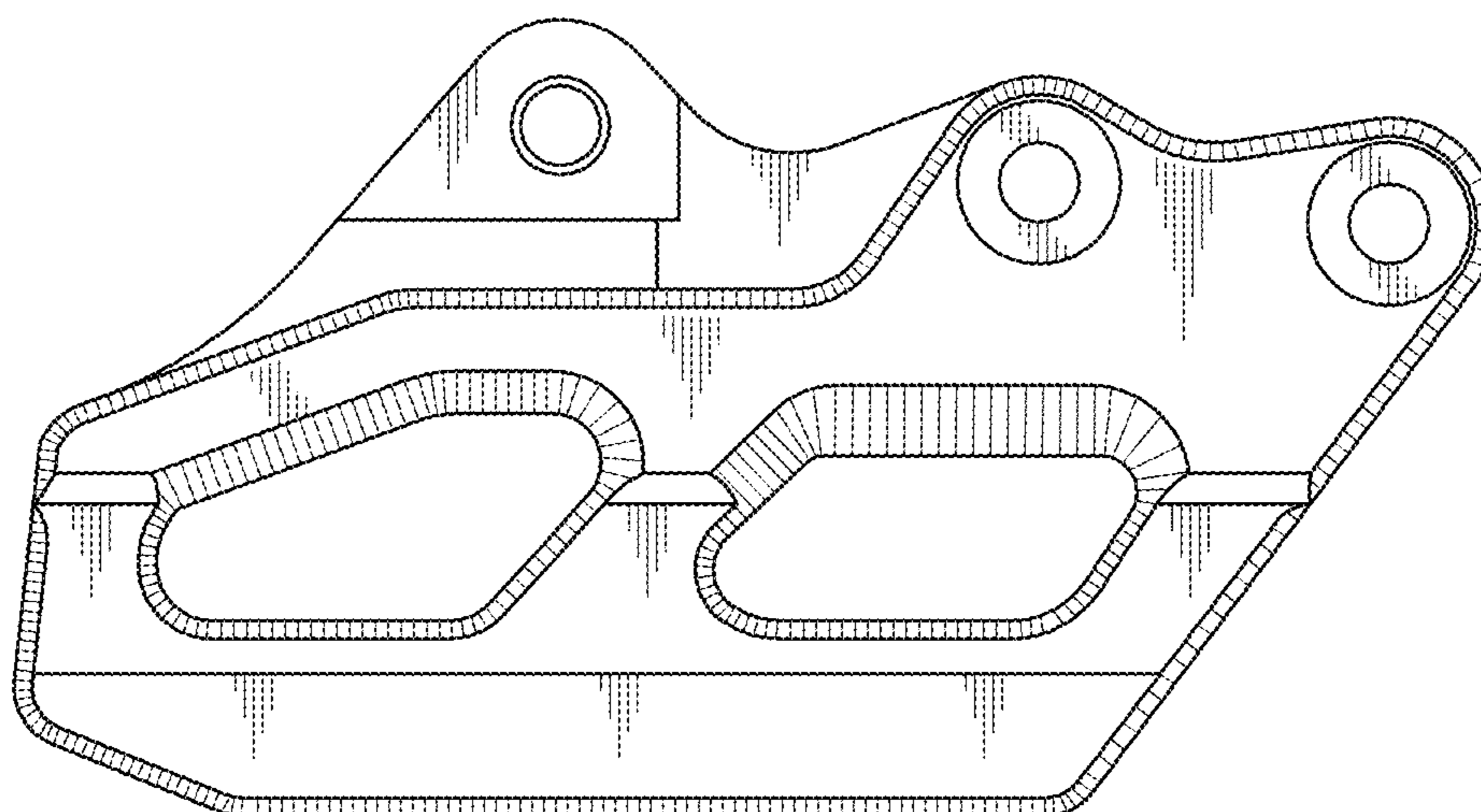


FIG. 4

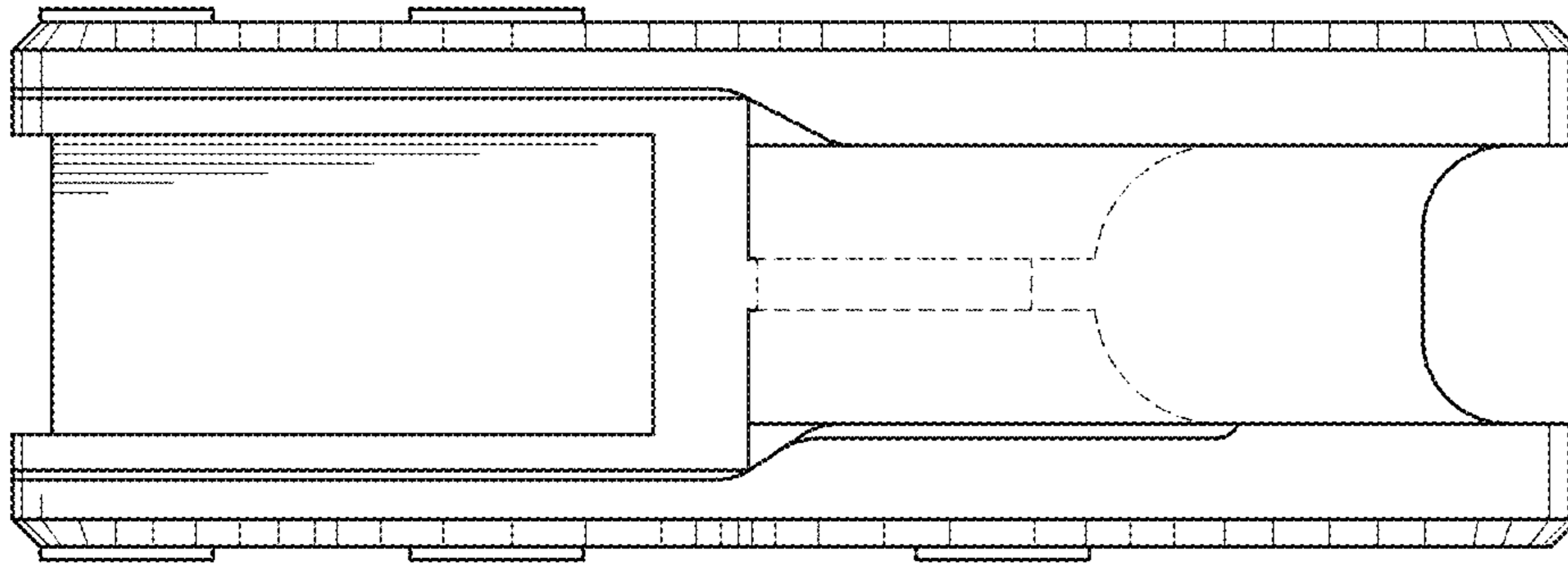


FIG. 5

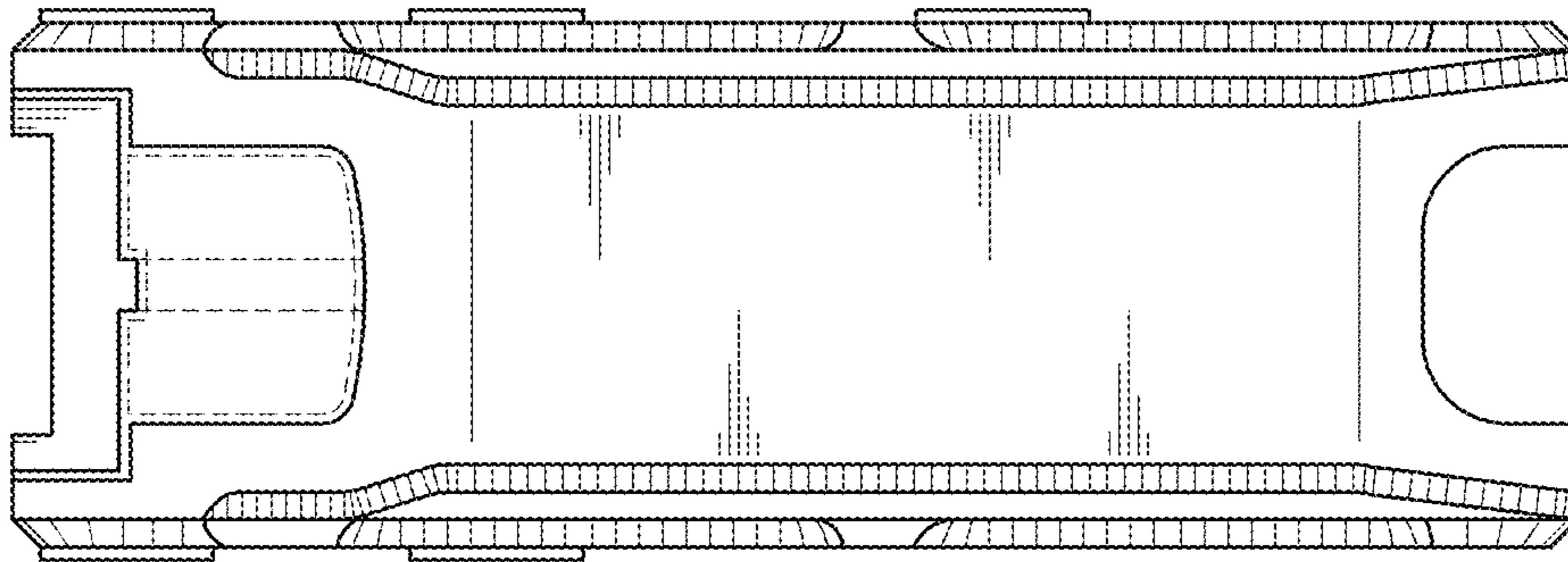


FIG. 6

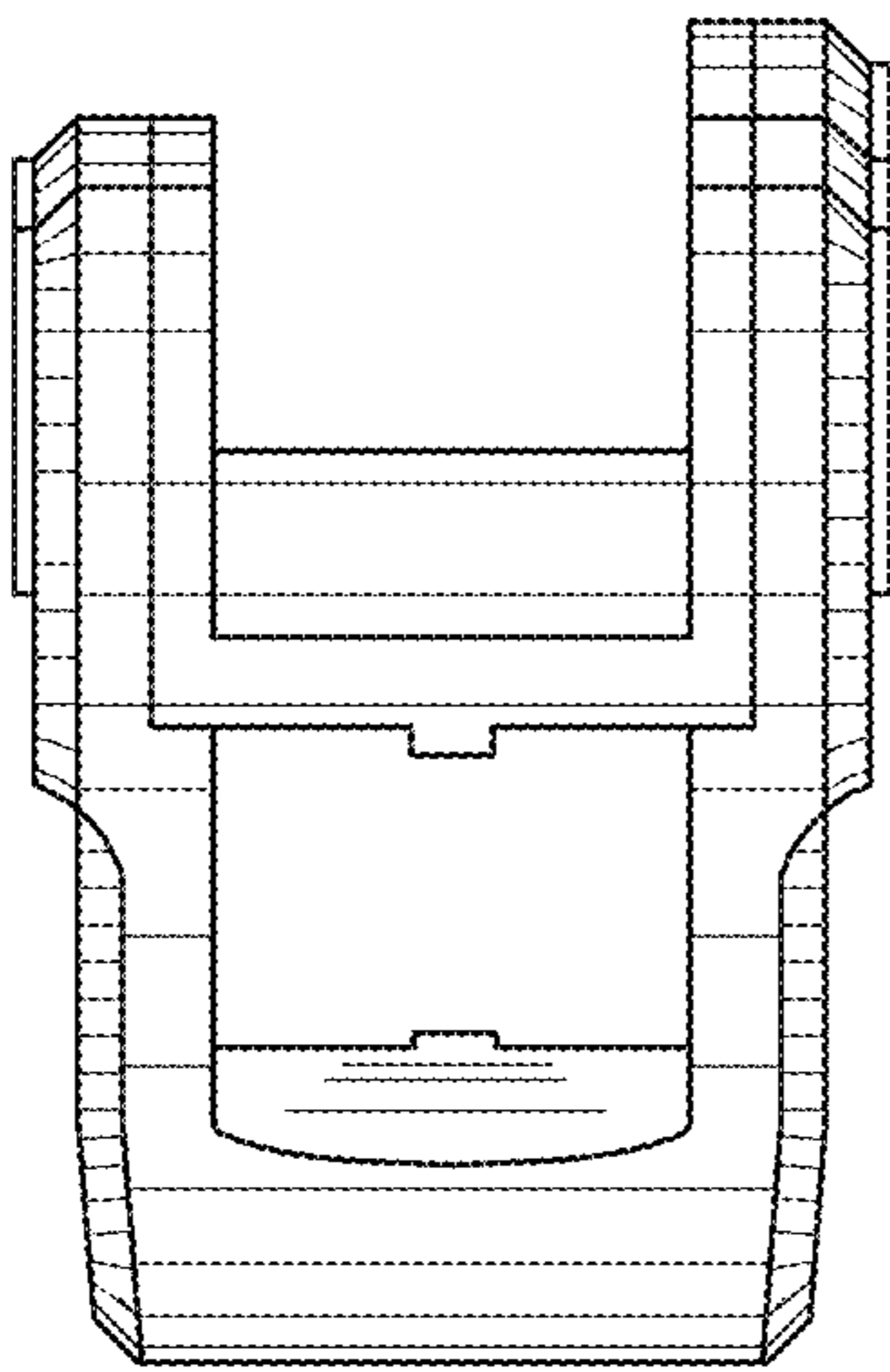


FIG. 7

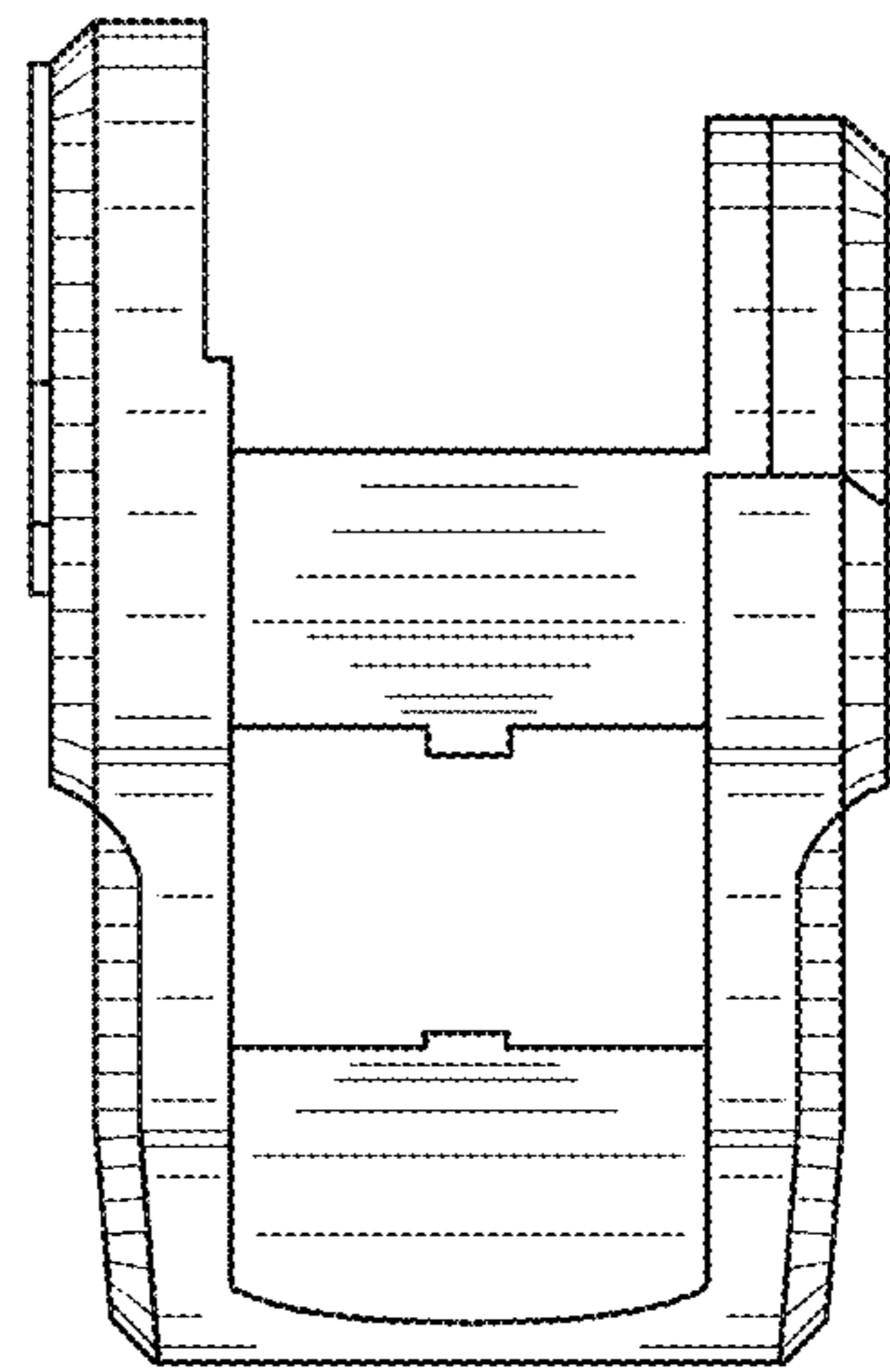


FIG. 8

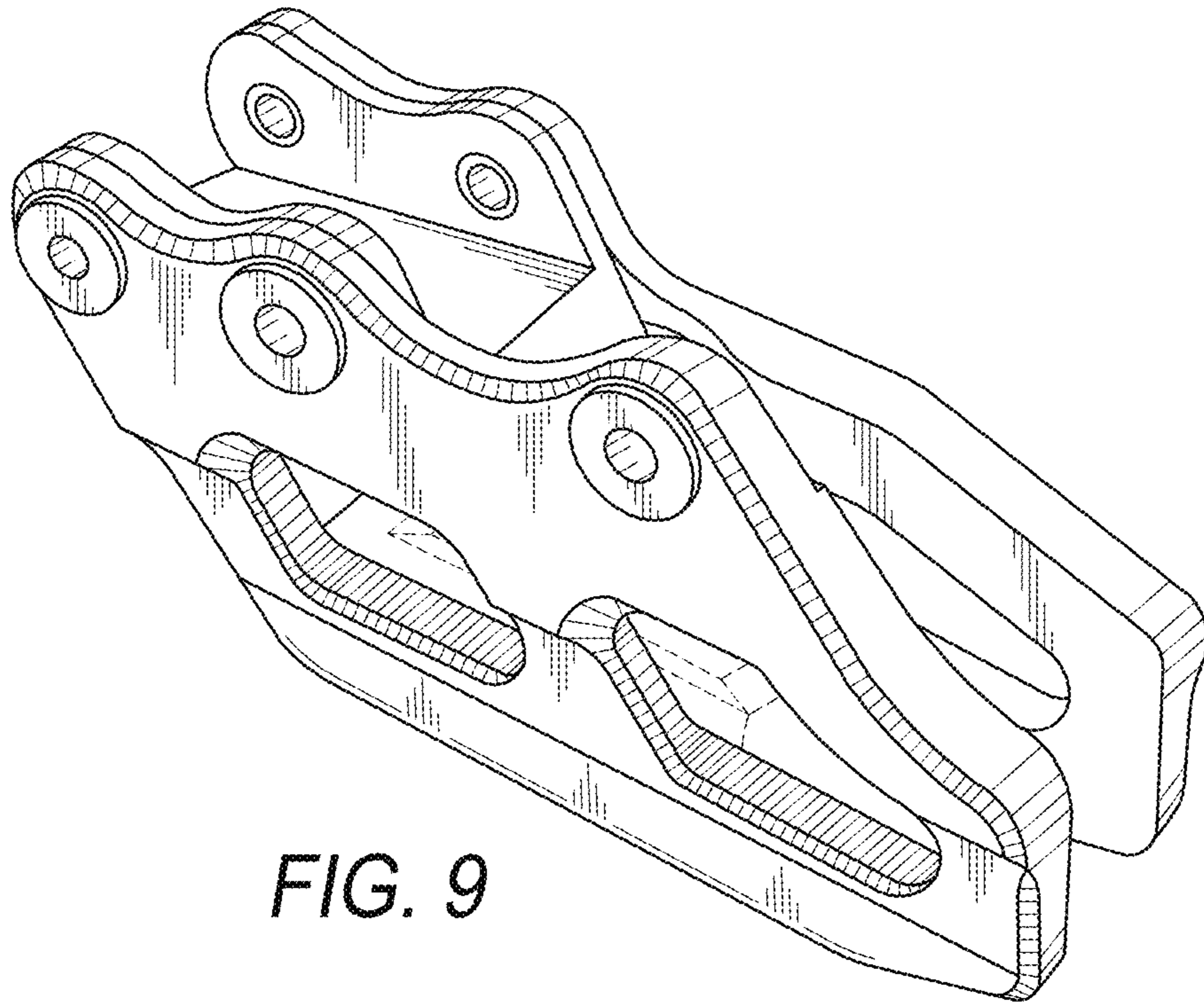


FIG. 9

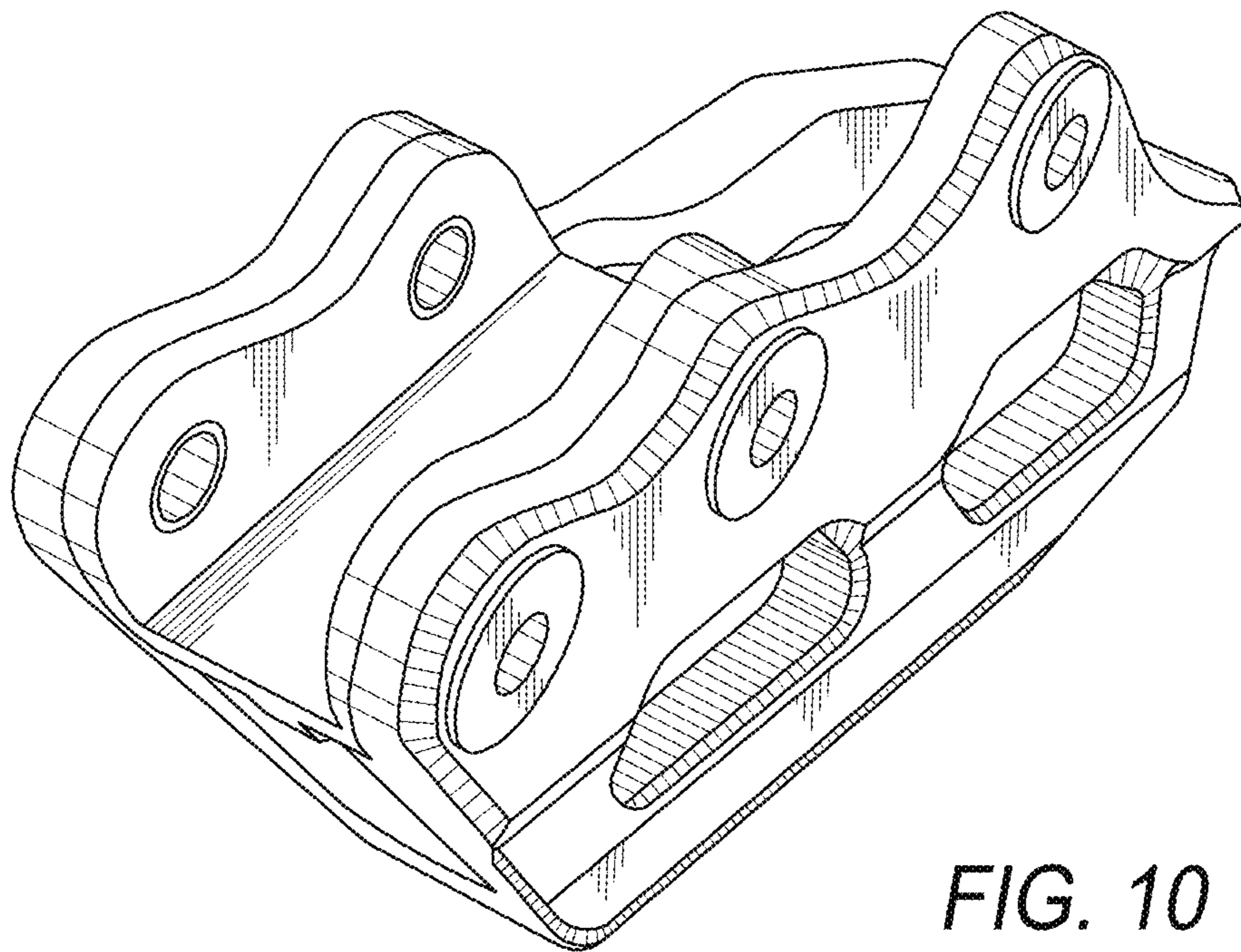


FIG. 10

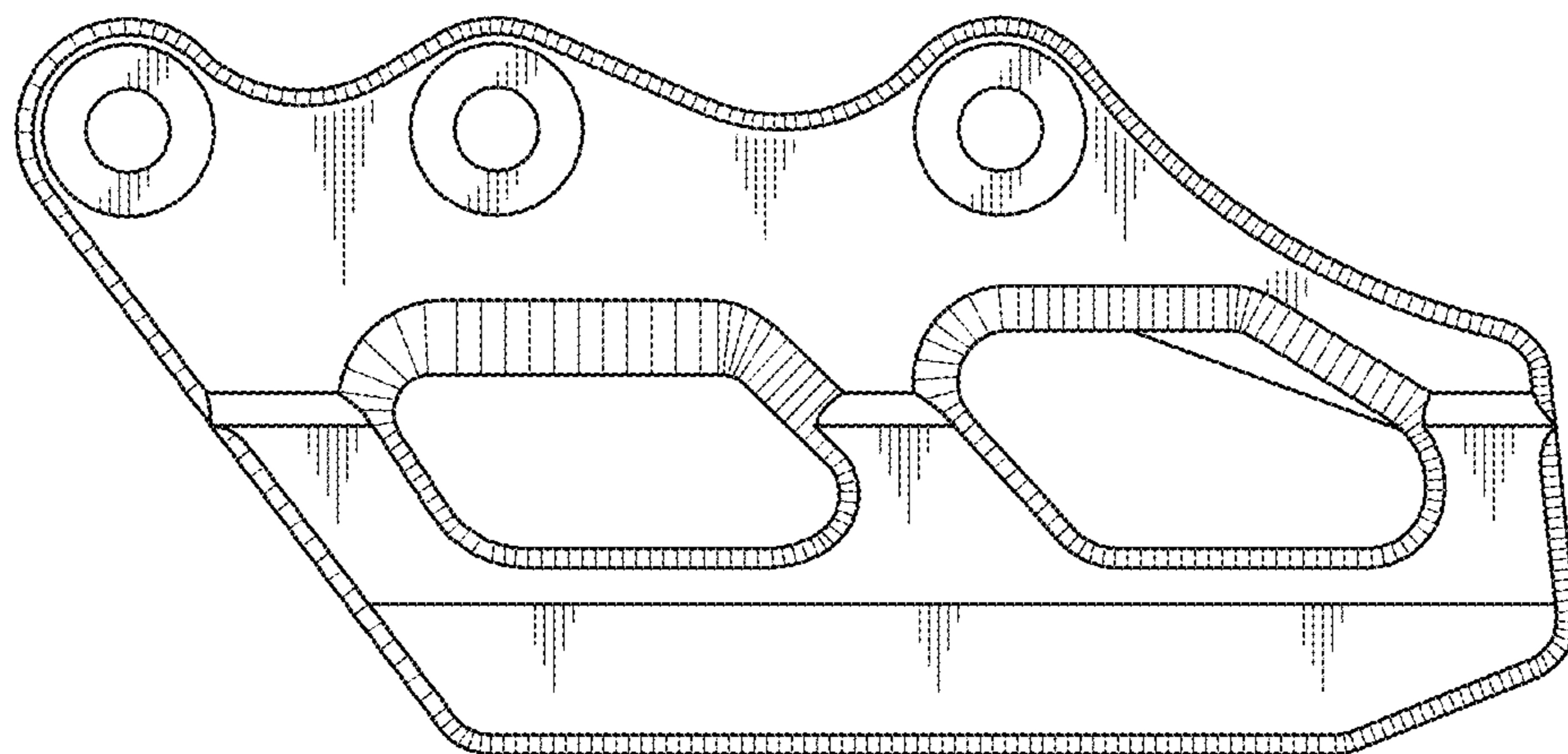


FIG. 11

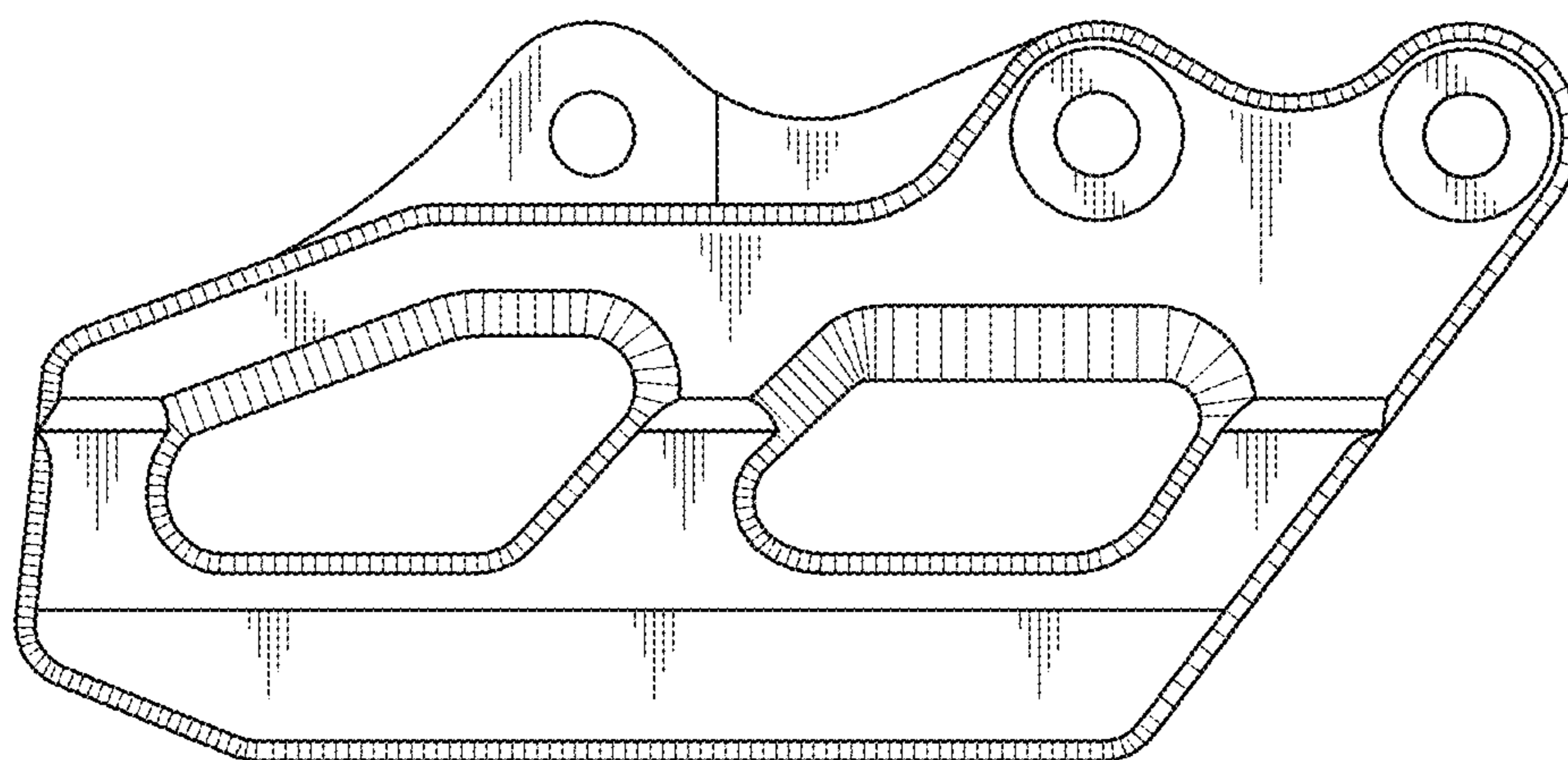


FIG. 12

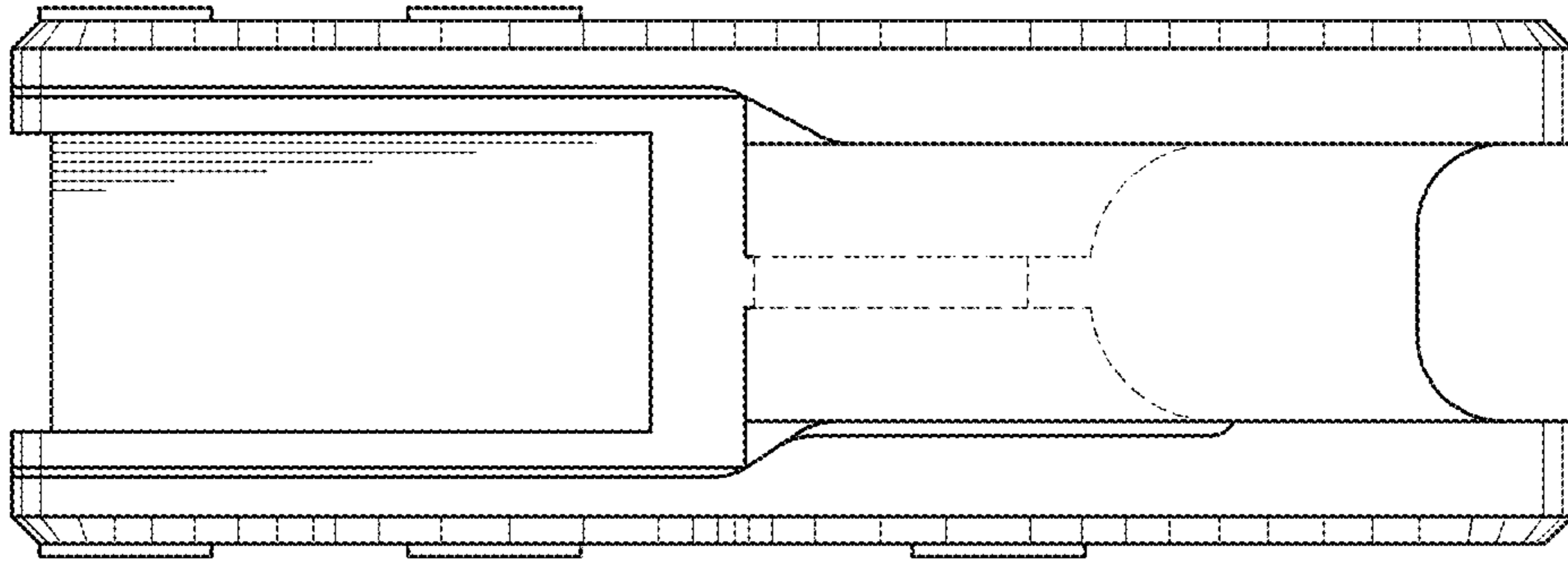


FIG. 13

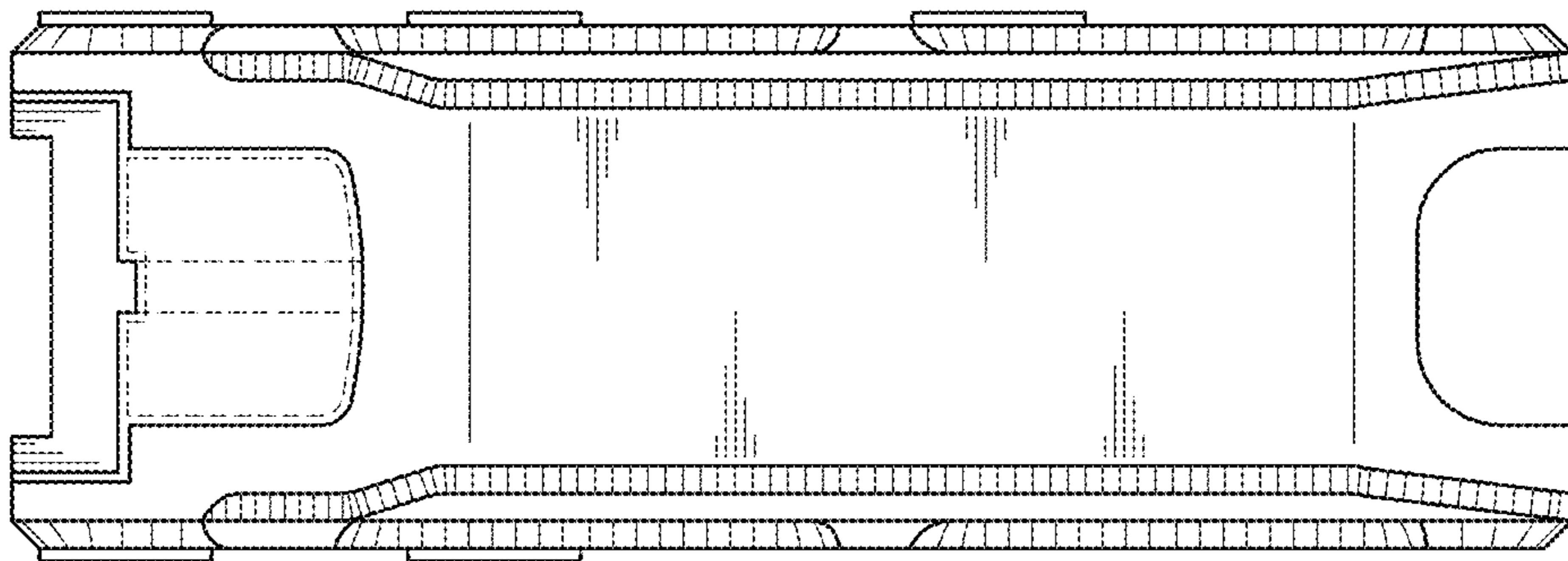


FIG. 14

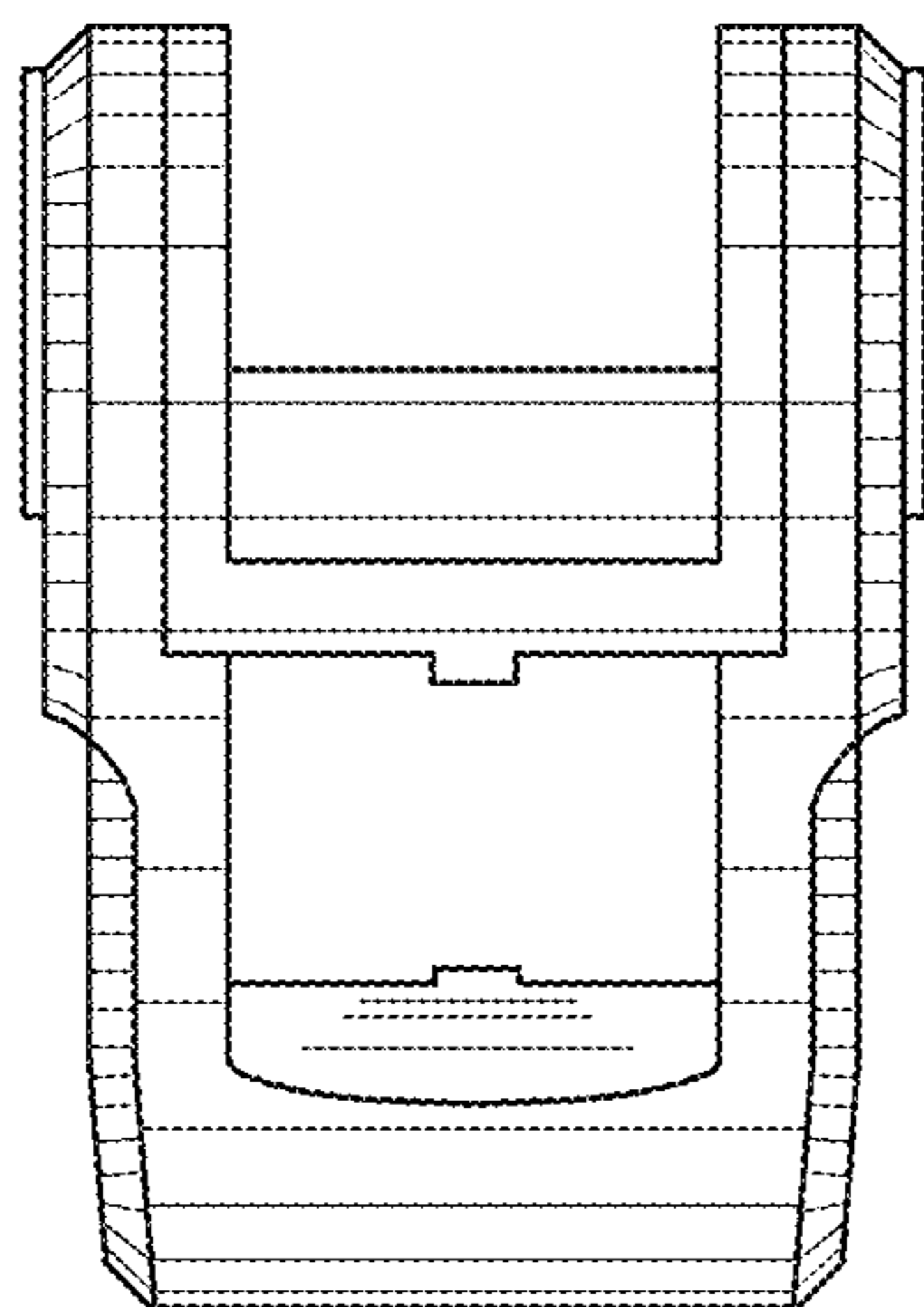


FIG. 15

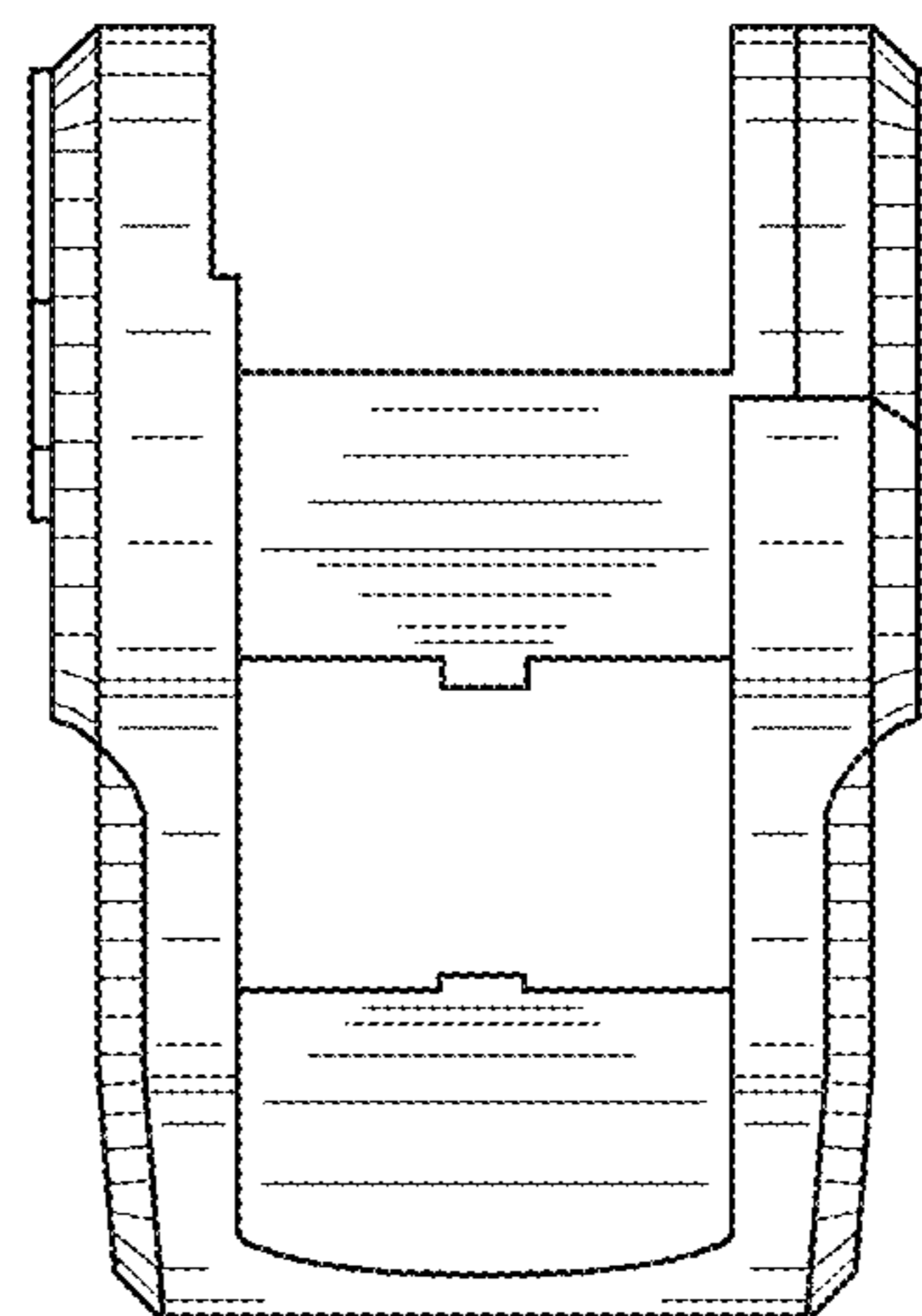


FIG. 16