

US00D793911S

(12) **United States Design Patent** (10) **Patent No.:** **US D793,911 S**
Yim et al. (45) **Date of Patent:** **** Aug. 8, 2017**

(54) **TRAILER DEVICE**

(71) Applicant: **Kärcher North America, Inc.**, Denver, CO (US)

(72) Inventors: **Rasmey Yim**, Vancouver, WA (US);
Zhak A. Polovin, Vancouver, WA (US);
Shannon L. Taylor, Vancouver, WA (US)

(73) Assignee: **Kärcher North America, Inc.**, Denver, CO (US)

(**) Term: **15 Years**

(21) Appl. No.: **29/553,142**

(22) Filed: **Jan. 28, 2016**

(51) **LOC (10) Cl.** **12-10**

(52) **U.S. Cl.**
USPC **D12/101**

(58) **Field of Classification Search**
USPC D12/100–106, 19, 129, 111–112;
D21/425, 435; D34/21–26, 12, 16–19
CPC B62D 35/02; B62D 35/00; B60P 3/1033;
B60P 3/10; A62B 3/005
See application file for complete search history.

(56) **References Cited**

U.S. PATENT DOCUMENTS

5,533,671	A	7/1996	Baer	
5,886,436	A	3/1999	Schneider et al.	
6,761,135	B1	7/2004	Becktold	
D619,933	S *	7/2010	McIntosh	D12/101
D626,461	S *	11/2010	Barrios	D12/101
D691,925	S *	10/2013	Hindle	D12/101
D695,647	S *	12/2013	Manley	D12/101
D698,701	S *	2/2014	Dempsey	D12/101
D706,684	S *	6/2014	Dempsey	D12/101
D751,466	S *	3/2016	Freitag	D12/101
D760,122	S *	6/2016	Guidry	D12/101
D761,160	S *	7/2016	Gilles Duros	D12/101

D779,380	S *	2/2017	van den Berg	D12/101
2006/0118149	A1	6/2006	Benson et al.	
2007/0089766	A1	4/2007	Fanourgiakis et al.	
2015/0306614	A1	10/2015	Pierce	

FOREIGN PATENT DOCUMENTS

WO	WO 9842933	10/1998
WO	WO 2008068490	6/2008

OTHER PUBLICATIONS

“Entrepreneur IV Trailer Package,” AaLadin Cleaning Systems, © 2012, 1 page, Jan. 2012.
“ProTowWash Trailers, Mobile Self-Contained Water Tank Trailer System,” Hydro Tek, Feb. 2015, 2 pages.
“Single-Axle Trailers Product Sheet,” Mi-T-M Corporation, Dec. 2015, 2 pages.

* cited by examiner

Primary Examiner — Katrina A Betton

(74) *Attorney, Agent, or Firm* — Sheridan Ross PC

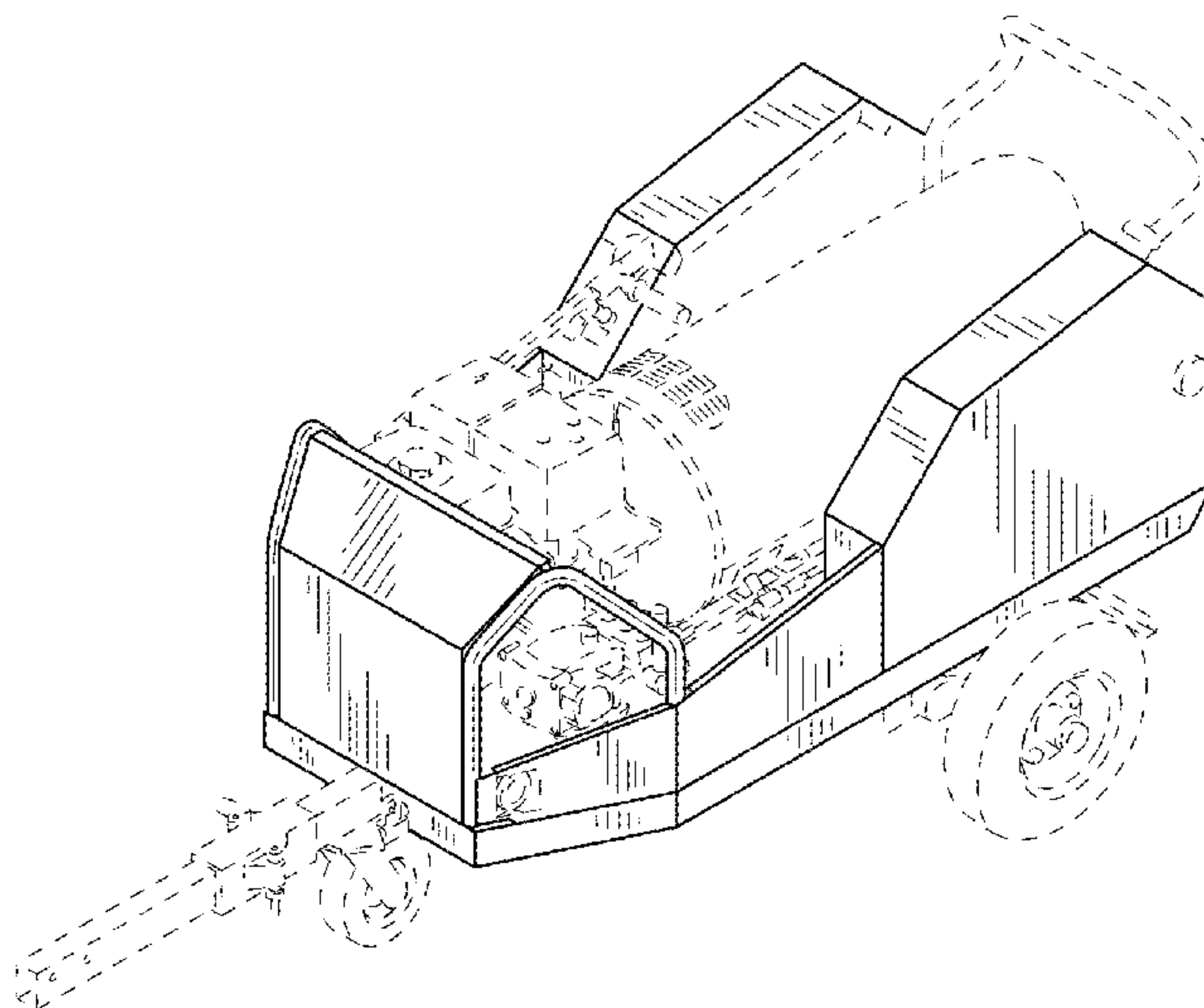
(57) **CLAIM**

The ornamental design for a trailer device, as shown and described herein.

DESCRIPTION

FIG. 1 is a front perspective view of the trailer device; FIG. 2 is a front elevation view of the trailer device; FIG. 3 is a rear elevation view of the trailer device; FIG. 4 is a right elevation view of the trailer device; FIG. 5 is a left elevation view of the trailer device; FIG. 6 is a top plan view of the trailer device; and, FIG. 7 is a bottom plan view of the trailer device. The broken lines showing portions of the trailer device are provided to illustrate environment only, and form no part of the claimed design.

1 Claim, 6 Drawing Sheets



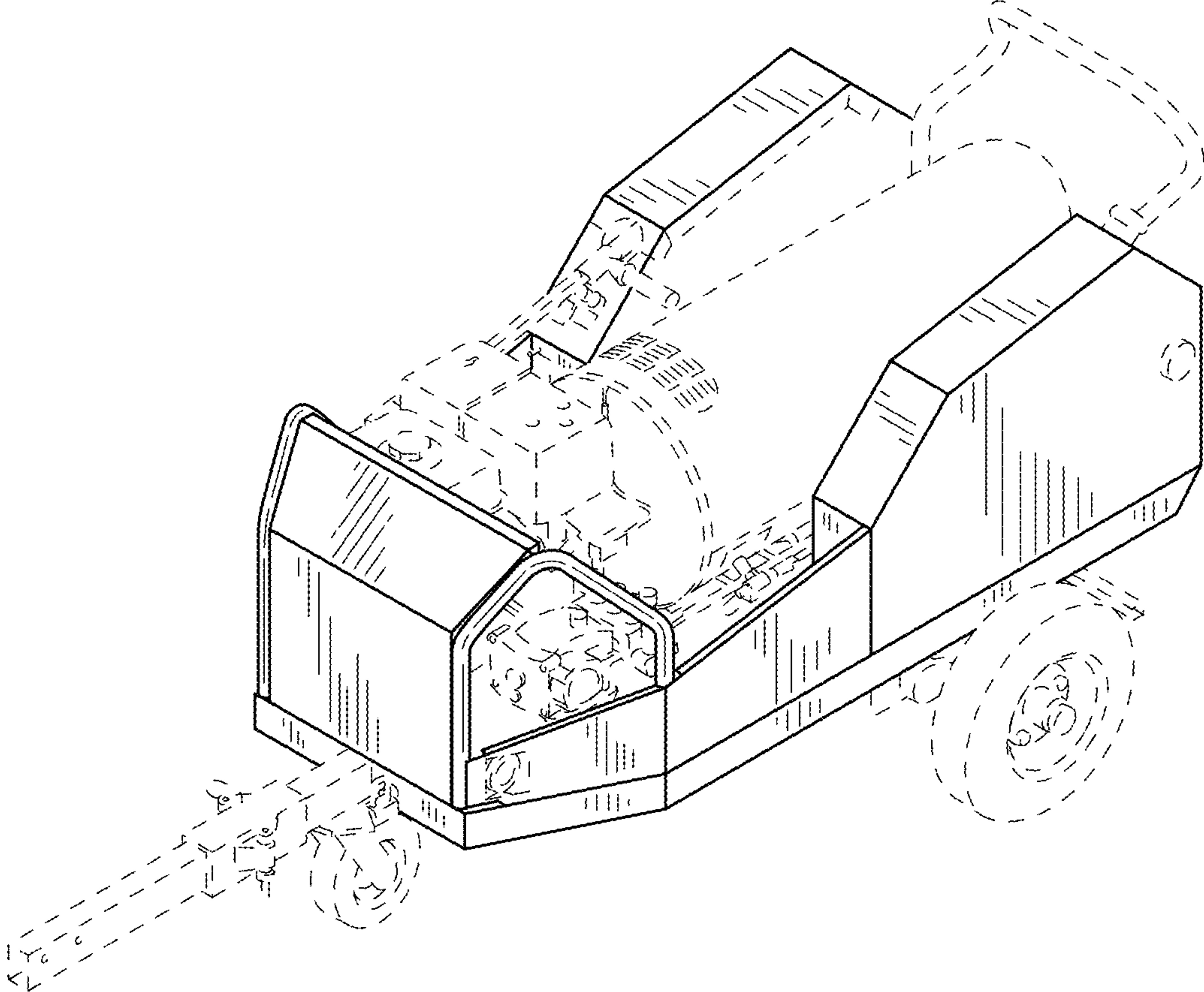


FIG.1

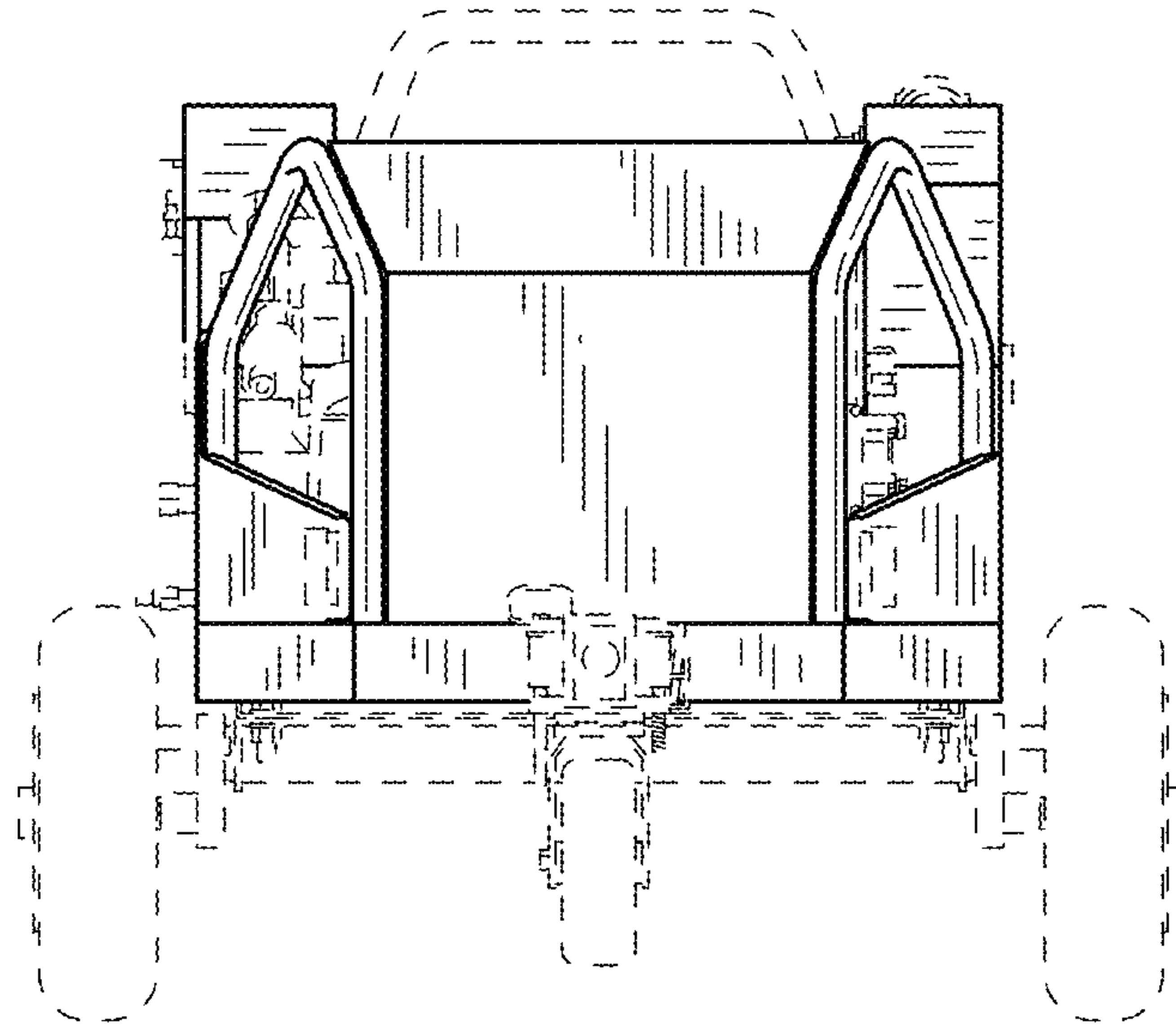


FIG. 2

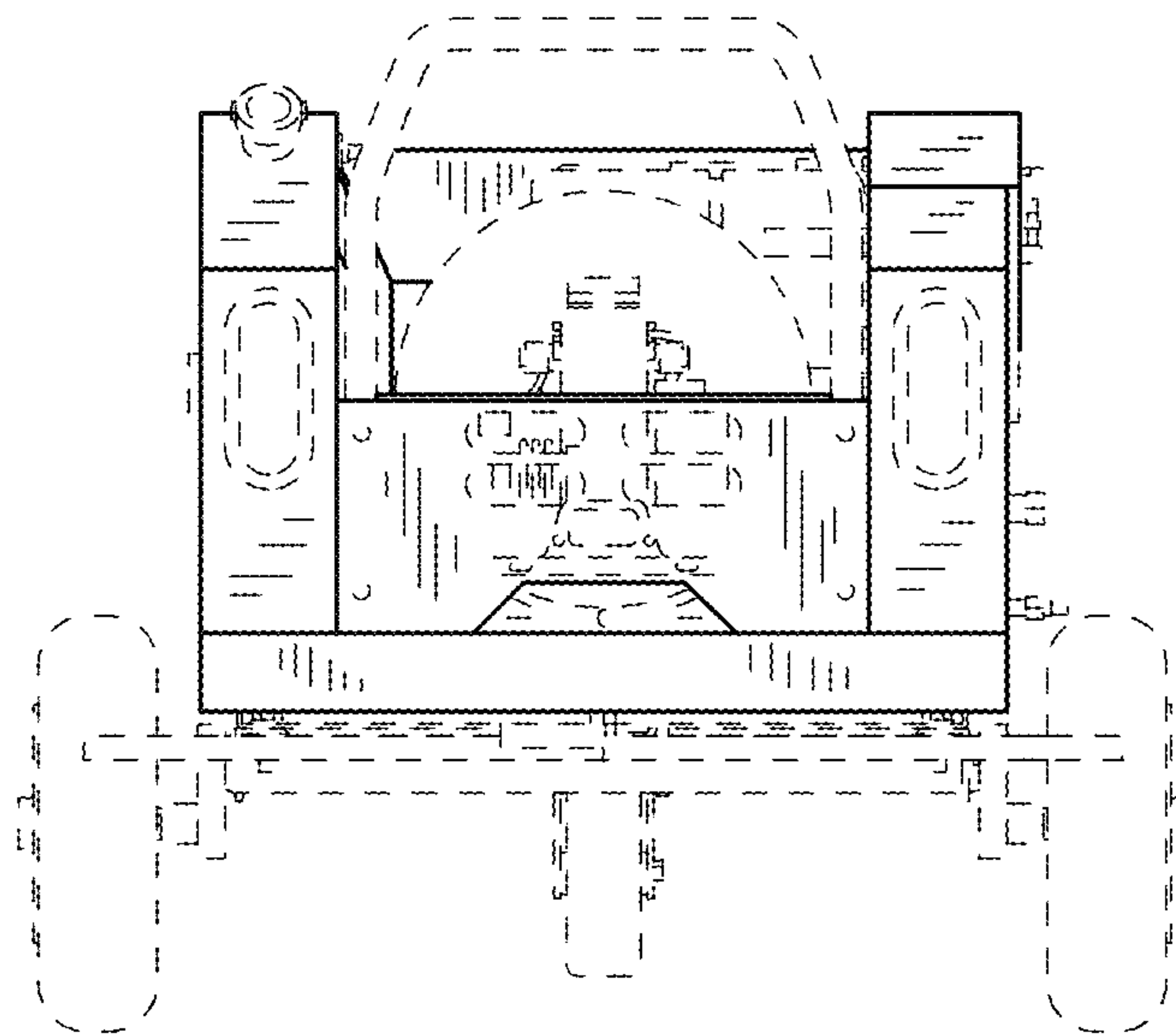


FIG. 3

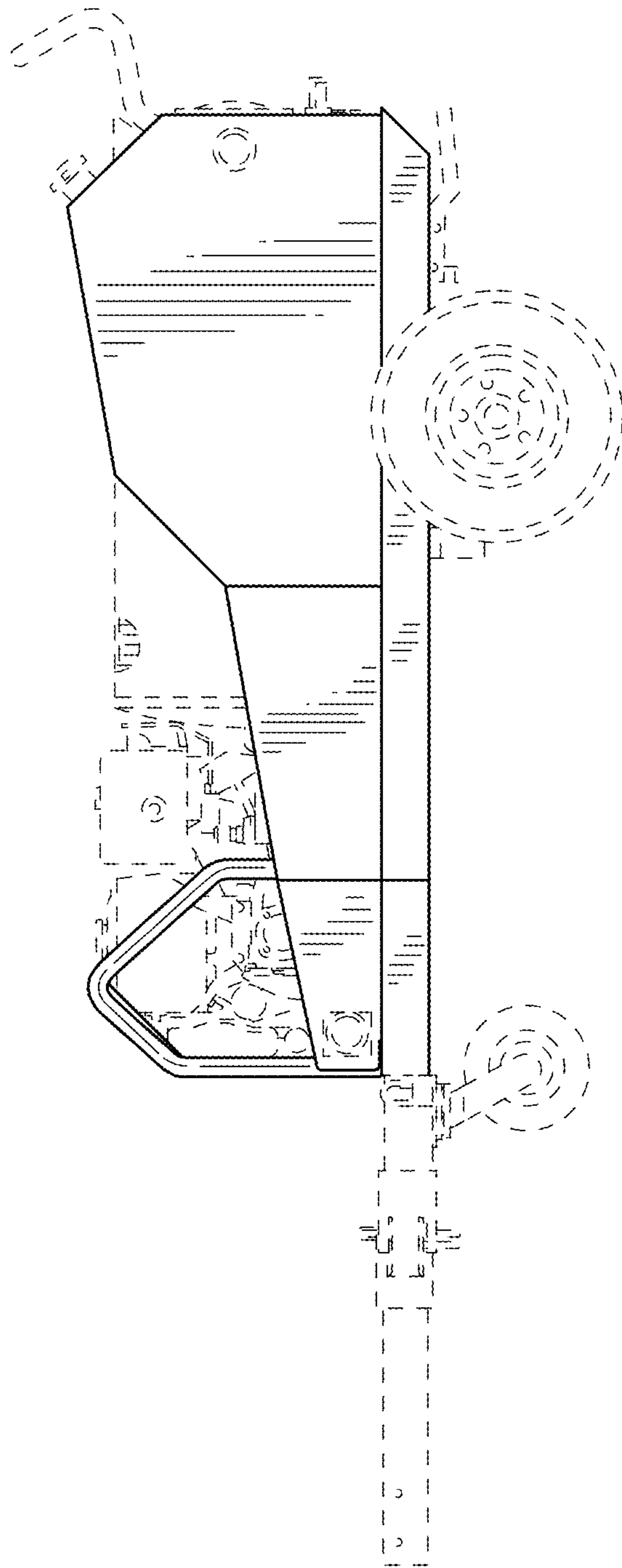


FIG.4

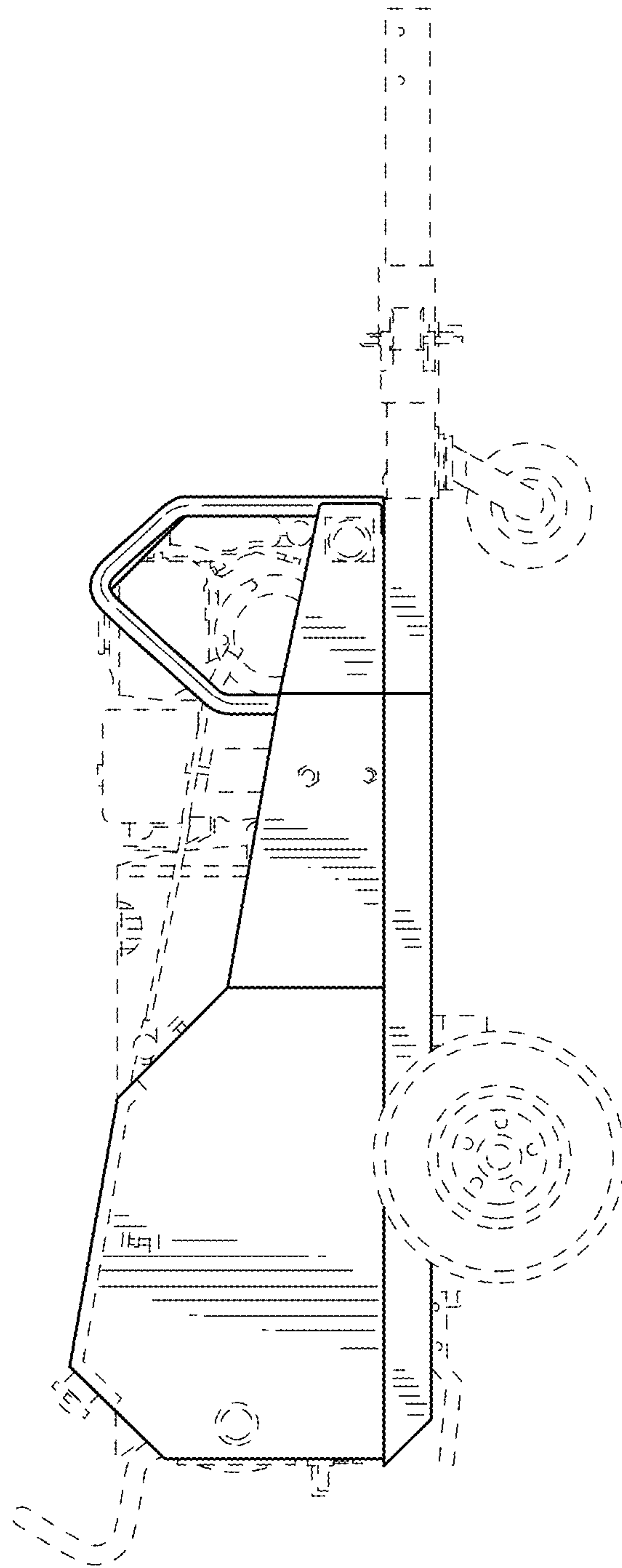


FIG.5

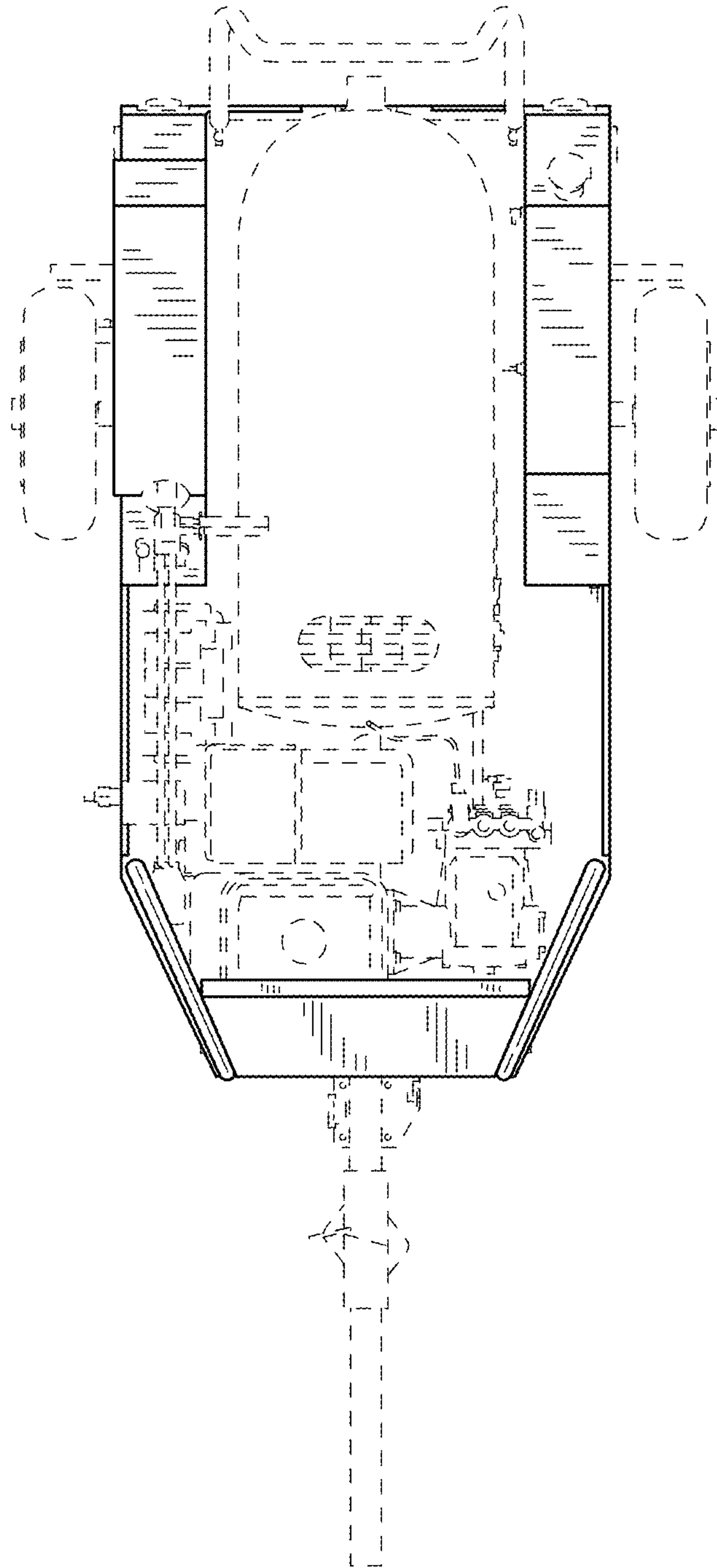


FIG.6

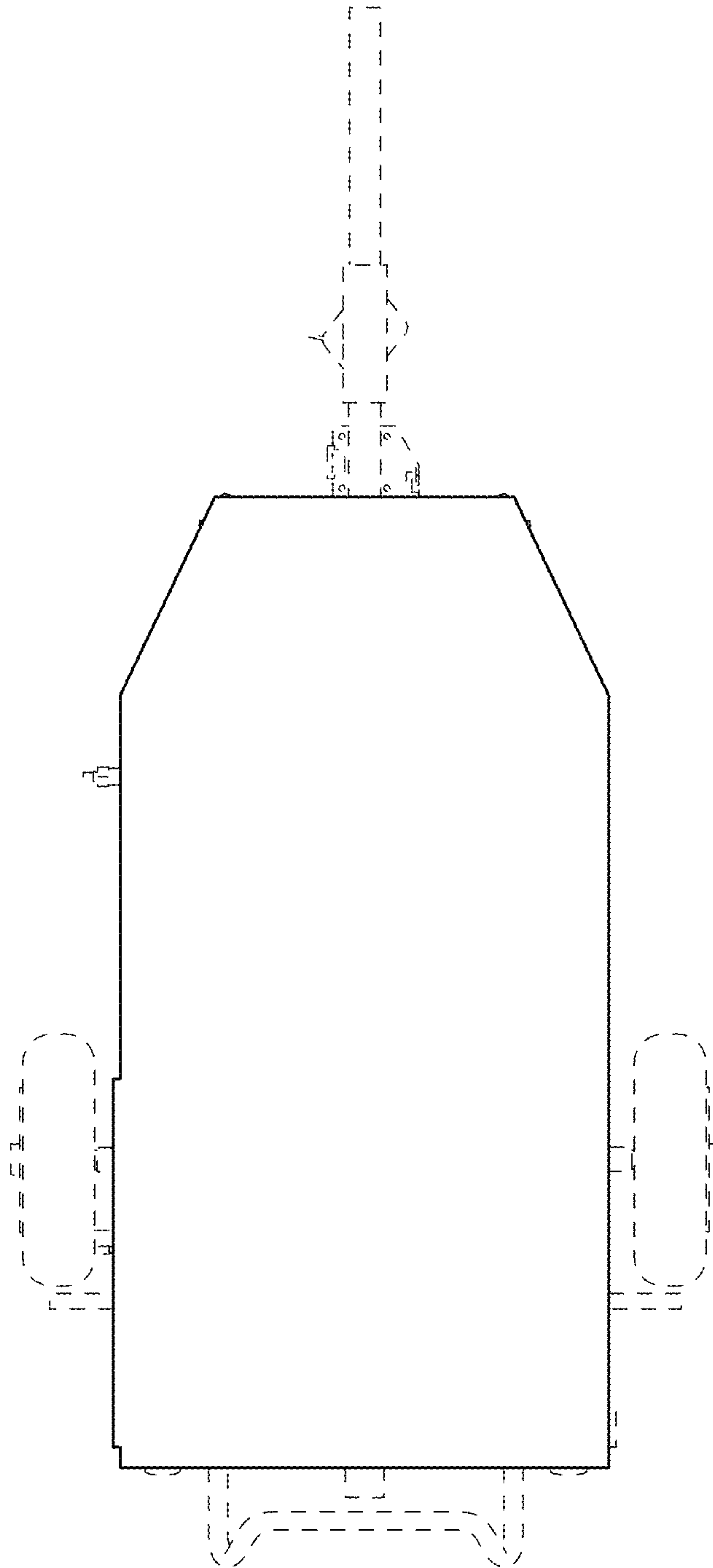


FIG. 7