



US00D793907S

(12) **United States Design Patent** (10) **Patent No.:** **US D793,907 S**
Woolley (45) **Date of Patent:** **** Aug. 8, 2017**

(54) **VEHICLE**
(71) Applicant: **Jaguar Land Rover Limited**, Whitley, Coventry (GB)
(72) Inventor: **Richard Woolley**, Coventry (GB)
(73) Assignee: **Jaguar Land Rover Limited**, Whitley, Coventry (GB)

D746,722 S * 1/2016 Henstridge D12/91
D748,534 S * 2/2016 Bischoff D12/92
D750,532 S * 3/2016 Frascella D12/91
D752,481 S * 3/2016 Frascella D12/91
D762,142 S * 7/2016 Battams D12/91
D763,136 S * 8/2016 Minami D12/92
D765,547 S * 9/2016 Ahn D12/92
D773,960 S * 12/2016 Jeon D12/92
D781,185 S * 3/2017 Ham D12/92
D782,936 S * 4/2017 Wheel D12/91
D782,937 S * 4/2017 Wheel D12/91

(**) Term: **15 Years**

* cited by examiner

(21) Appl. No.: **29/556,068**

Primary Examiner — Melody N Brown

(22) Filed: **Feb. 26, 2016**

(74) *Attorney, Agent, or Firm* — Wood Herron & Evans LLP

(30) **Foreign Application Priority Data**

Sep. 4, 2015 (EM) 002766667

(51) **LOC (10) Cl.** **12-08**

(52) **U.S. Cl.**
USPC **D12/91**

(58) **Field of Classification Search**
USPC D12/86, 90-92; D21/421, 433, 434;
296/181.1, 181.5
CPC B62D 35/00; B62D 25/00; B62D 25/06;
B62D 33/00

See application file for complete search history.

(56) **References Cited**

U.S. PATENT DOCUMENTS

D696,608 S * 12/2013 Jeon D12/92
D696,609 S * 12/2013 Jang D12/92
D714,688 S * 10/2014 Baek D12/92
D715,694 S * 10/2014 Kim D12/92
D720,654 S * 1/2015 Baek D12/92

(57) **CLAIM**

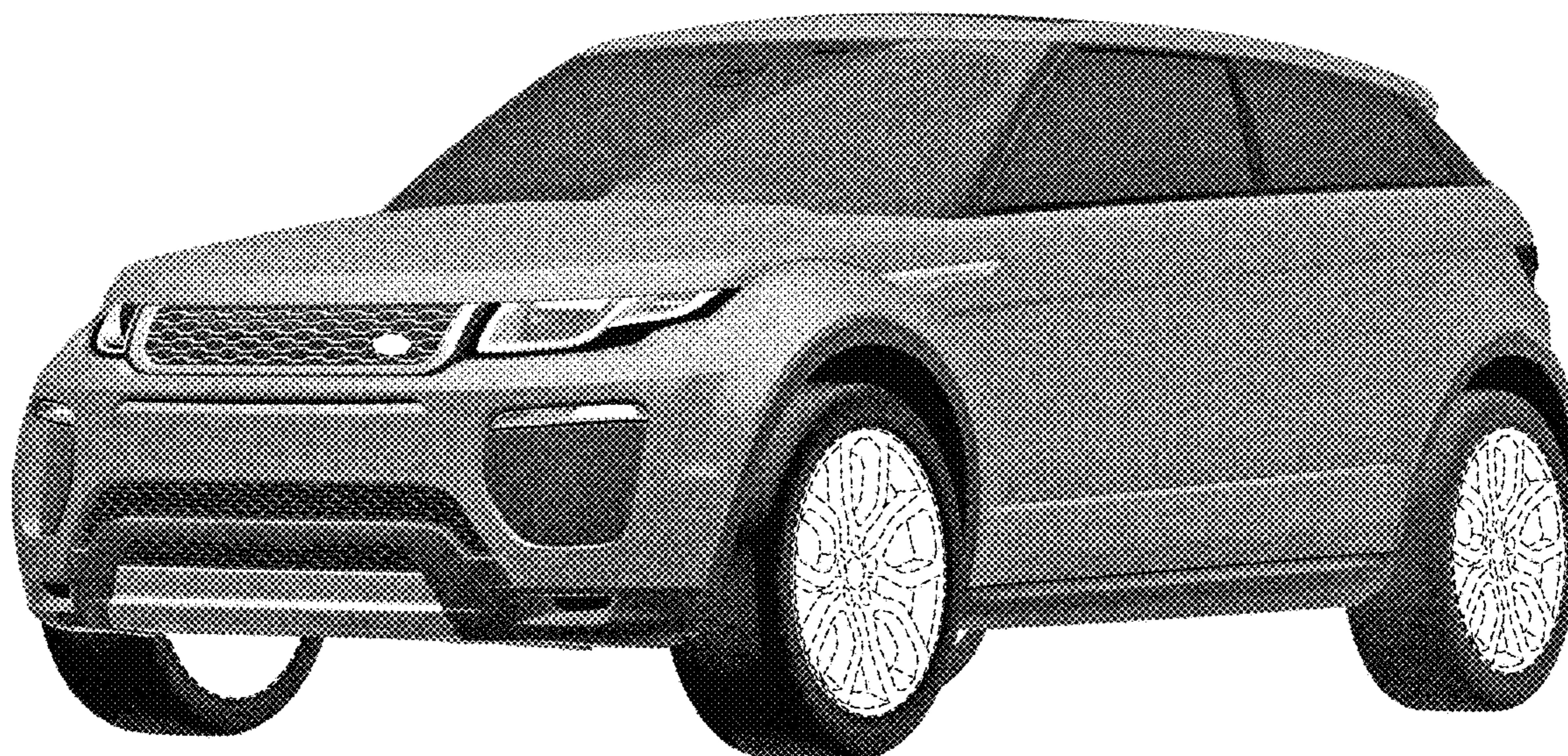
The ornamental design for a vehicle, as shown and described.

DESCRIPTION

FIG. 1 is a front and right side perspective view of a rear bumper for a vehicle showing my new design;
FIG. 2 is a rear and left side perspective view thereof;
FIG. 3 is a front view thereof.
FIG. 4 is a rear view thereof.
FIG. 5 is a left side view thereof.
FIG. 6 is a right side view thereof; and,
FIG. 7 is a top view thereof.

Any elements shown in broken lines in the Figures form no part of the claimed invention, and are instead included to show environmental aspects thereof. Also, broken lines shown adjacent to any shaded portions form an unclaimed boundary of the design.

1 Claim, 5 Drawing Sheets



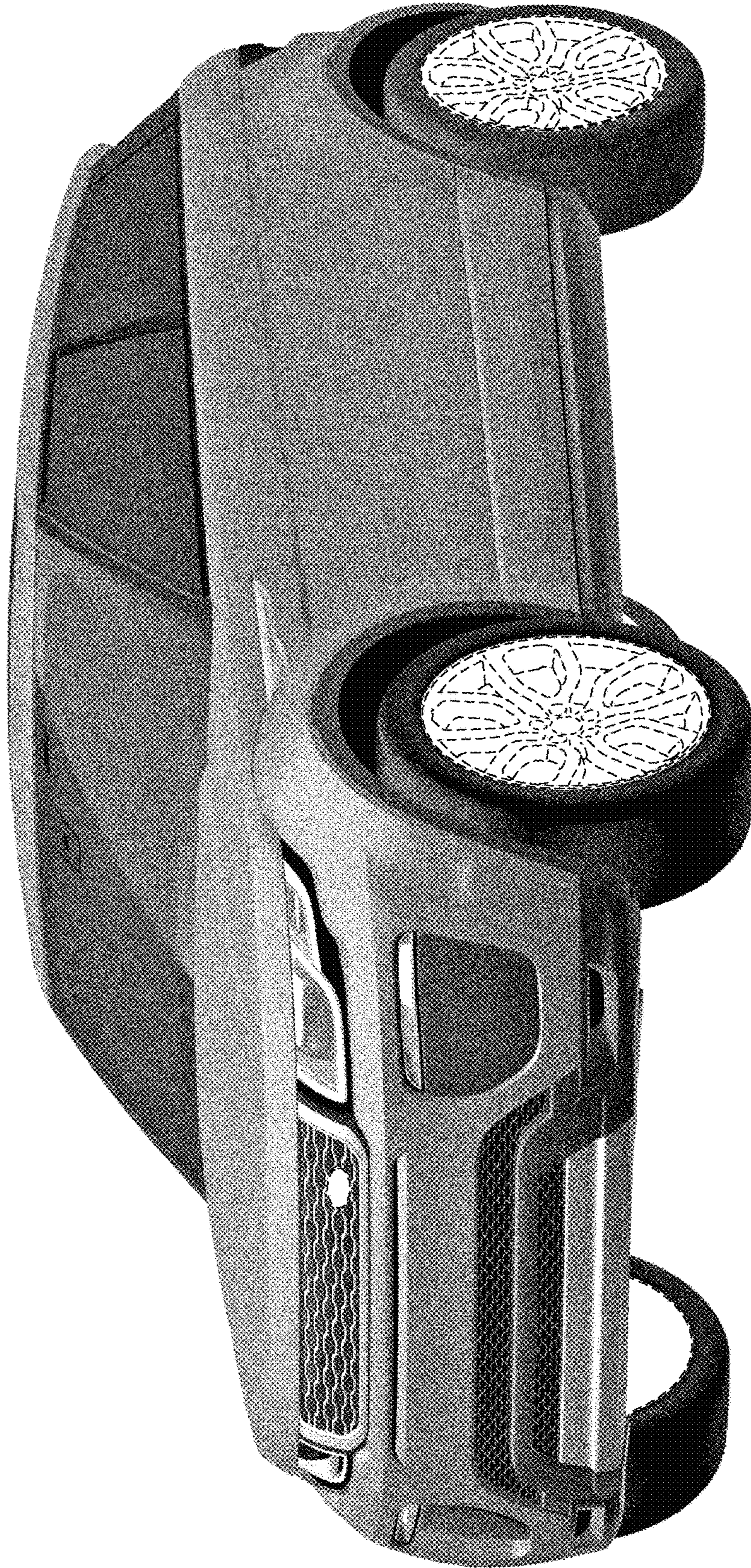


FIG. 1

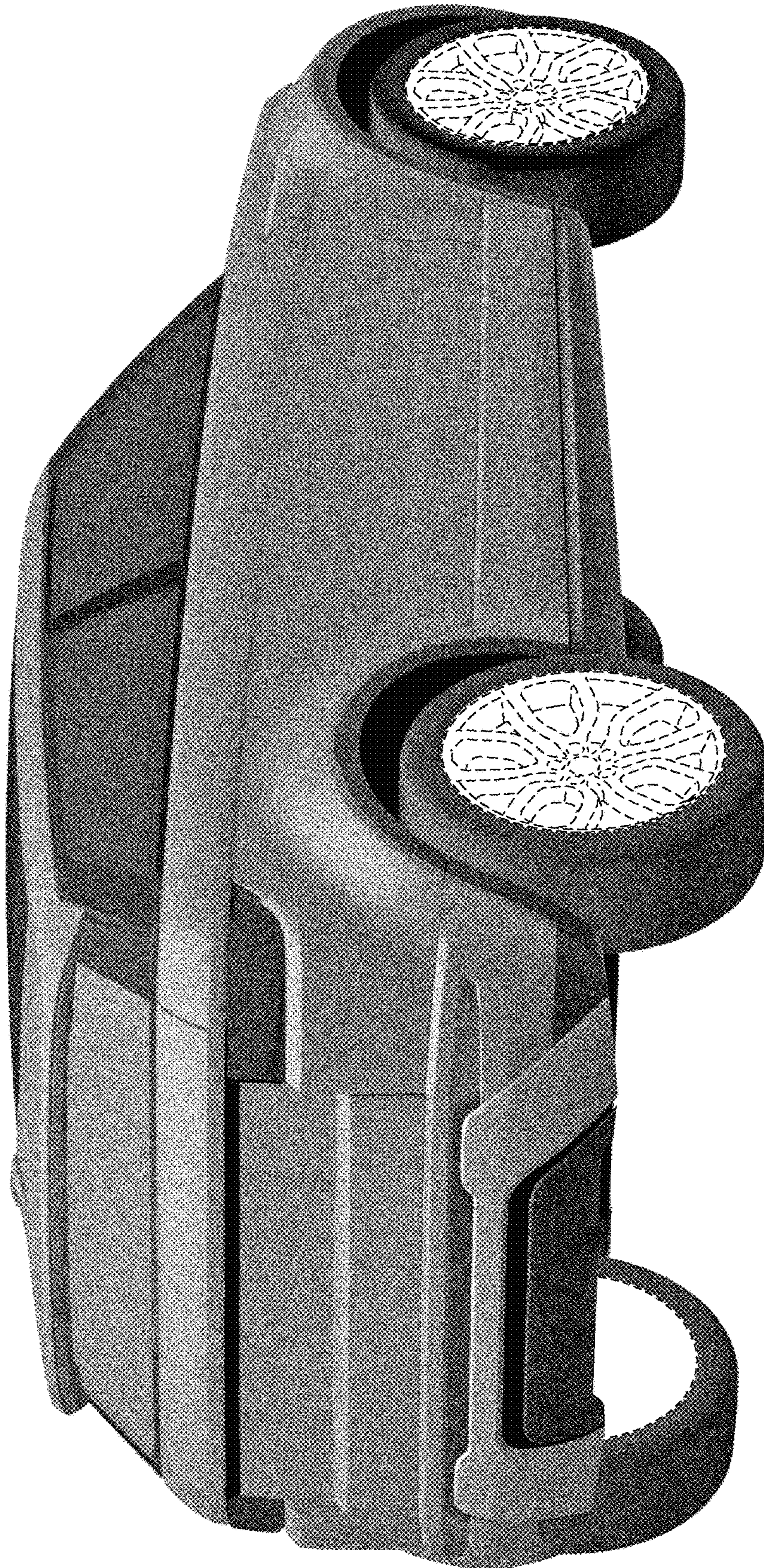


FIG. 2



FIG. 3

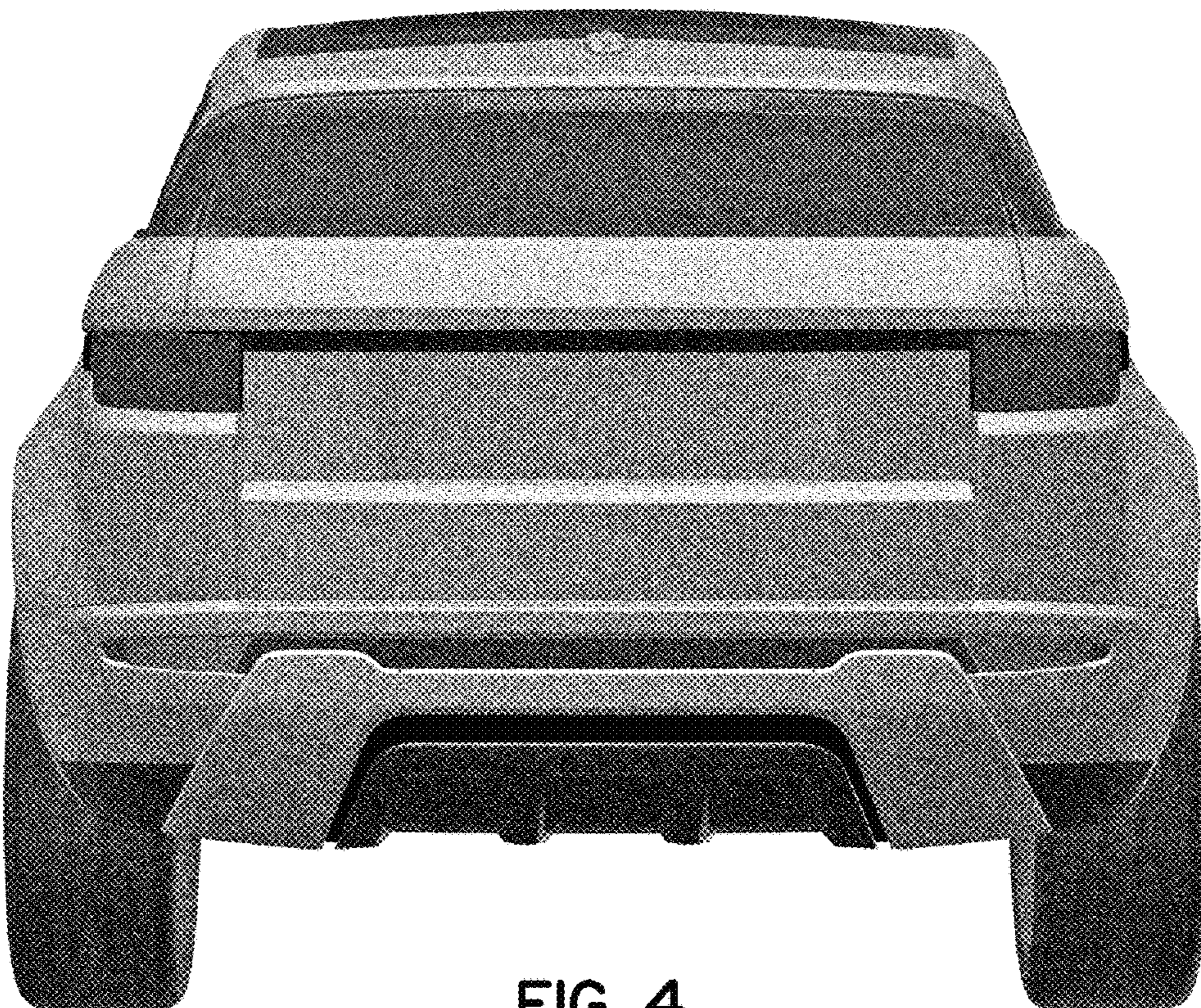


FIG. 4

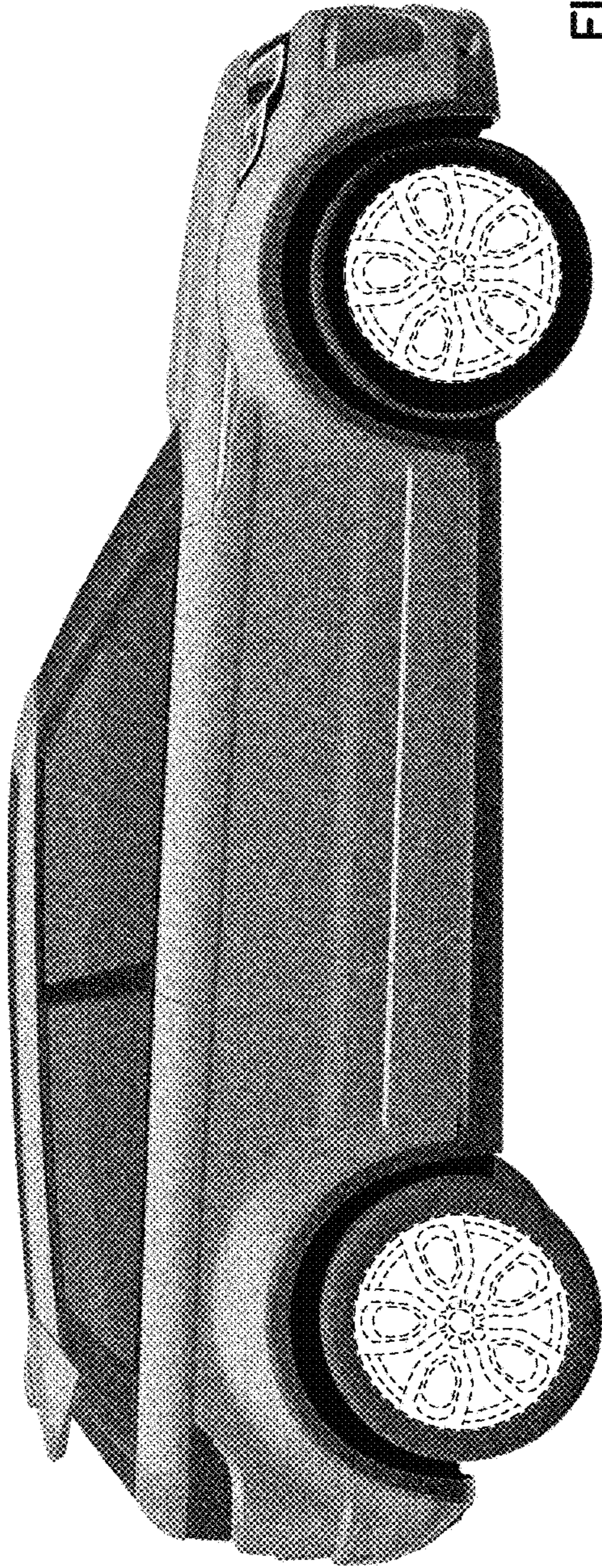


FIG. 5

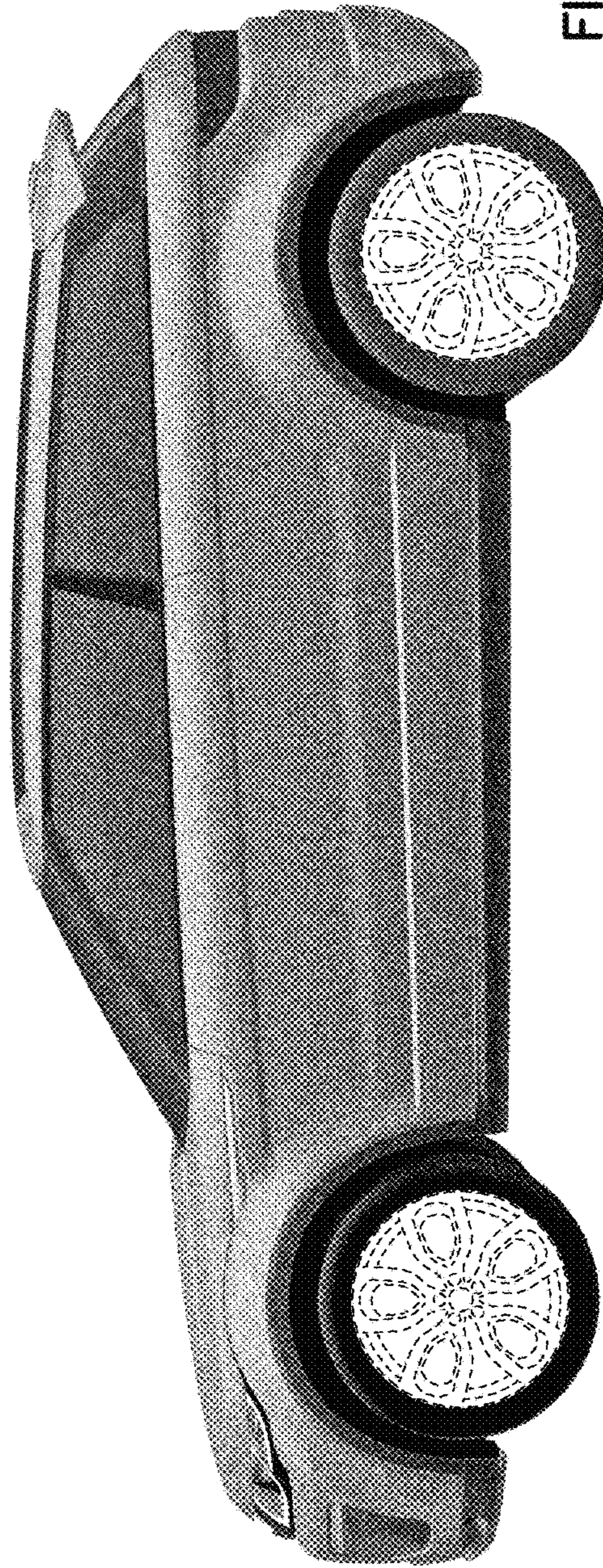


FIG. 6

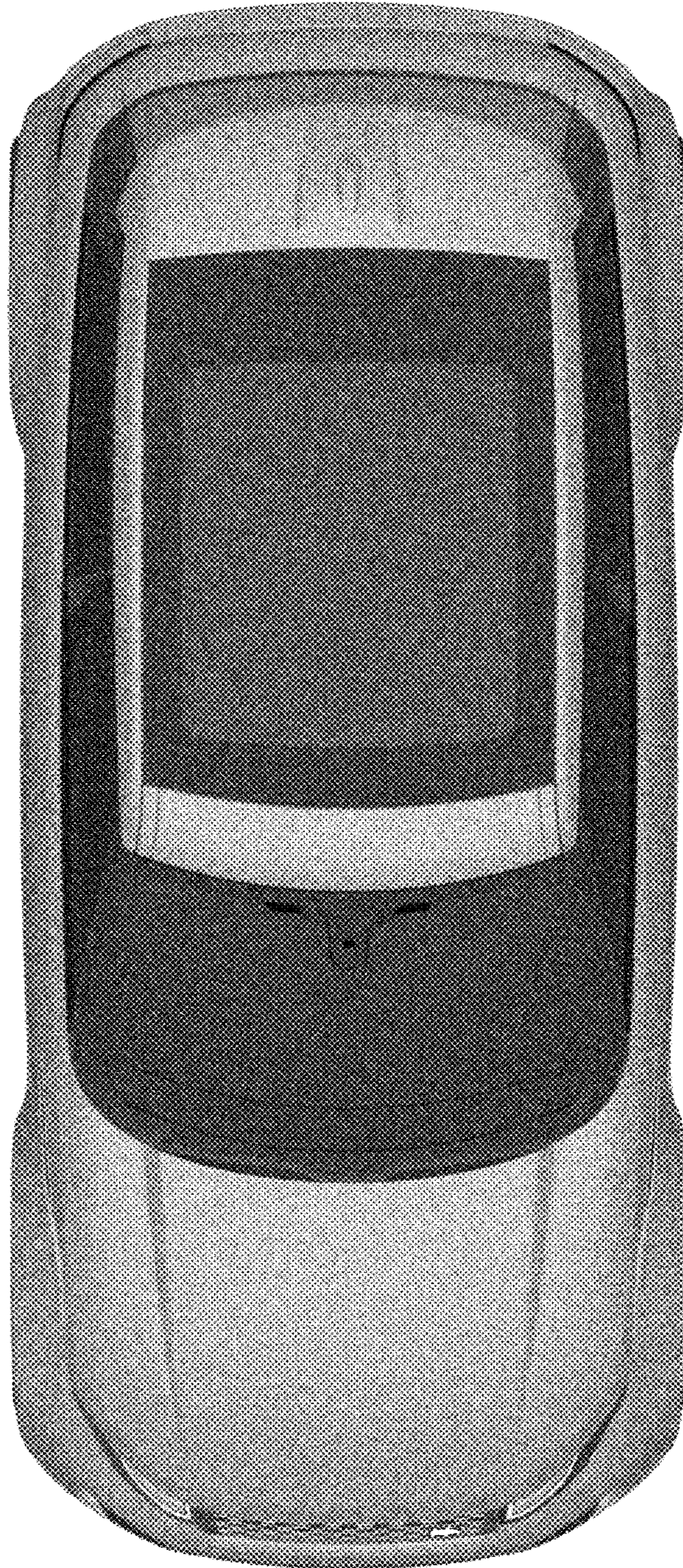


FIG. 7

UNITED STATES PATENT AND TRADEMARK OFFICE
CERTIFICATE OF CORRECTION

PATENT NO. : D793,907 S
APPLICATION NO. : 29/556068
DATED : August 8, 2017
INVENTOR(S) : Richard Woolley

Page 1 of 1

It is certified that error appears in the above-identified patent and that said Letters Patent is hereby corrected as shown below:

On the Title Page

At Column 2, Description, approximately at Lines 1-2, "FIG. 1 is a front and right side perspective view of a rear bumper for a vehicle showing my new design;" should read --FIG. 1 is a front and right side perspective view of a vehicle showing my new design.--.

At Column 2, Description, approximately at Lines 9-13, "Any elements shown in broken lines in the Figures form no part of the claimed invention, and are instead included to show environmental aspects thereof. Also, broken lines shown adjacent to any shaded portions form an unclaimed boundary of the design.," should read --The broken line portions of the vehicle shown throughout the drawing views are for environmental and illustrative purposes only and form no part of the claimed design.--.

Signed and Sealed this
Twenty-sixth Day of December, 2017



Joseph Matal
*Performing the Functions and Duties of the
Under Secretary of Commerce for Intellectual Property and
Director of the United States Patent and Trademark Office*