



US00D793906S

(12) **United States Design Patent** (10) **Patent No.:** **US D793,906 S**
Cartabiano et al. (45) **Date of Patent:** **** Aug. 8, 2017**

(54) **MOTOR VEHICLE AND/OR TOY REPLICA THEREOF**

(71) Applicants: **Ian Richard Cartabiano**, Torrance, CA (US); **Katsuhiro Suzuki**, Nagakute (JP); **Kazuhiro Sato**, Nisshin (JP)

(72) Inventors: **Ian Richard Cartabiano**, Torrance, CA (US); **Katsuhiro Suzuki**, Nagakute (JP); **Kazuhiro Sato**, Nisshin (JP)

(73) Assignee: **Toyota Jidosha Kabushiki Kaisha** (JP)

(**) Term: **15 Years**

(21) Appl. No.: **29/549,927**

(22) Filed: **Dec. 29, 2015**

(51) **LOC (10) Cl.** **12-08**

(52) **U.S. Cl.**
USPC **D12/91**

(58) **Field of Classification Search**
USPC D12/86, 90-92; D21/421, 433, 434;
296/181.1, 181.5
CPC B62D 35/00; B62D 25/00; B62D 25/06;
B62D 33/00
See application file for complete search history.

(56) **References Cited**

U.S. PATENT DOCUMENTS

D601,923 S	*	10/2009	Suga	D12/90
D633,008 S	*	2/2011	Nakamura	D12/90
D647,428 S	*	10/2011	Ohhashi	D12/90
D684,090 S	*	6/2013	Gamou	D12/90
D688,160 S	*	8/2013	Akamine	D12/90
D724,493 S	*	3/2015	Kobayashi	D12/91
D762,526 S	*	8/2016	Minami	D12/92
D781,180 S	*	3/2017	Minami	D12/91

OTHER PUBLICATIONS

C-HR Concept (2014), Toyota, Netcarshow.com, <http://www.netcarshow.com/toyota/2014-c-hr_concept/1600x1200/wallpaper_09.htm>, available at least as early as Jan. 20, 2015.
Curb Concept (2011), Hyundai, Netcarshow.com, <http://www.netcarshow.com/hyundai/2011-curb_concept/>, available at least as early as Jan. 20, 2015.
Captur (2014), Renault, Netcarshow.com, <http://www.netcarshow.com/renault/2014-captur/1600x1200/wallpaper_oc.htm>, available at least as early as Jan. 20, 2015.

* cited by examiner

Primary Examiner — Melody N Brown

(74) *Attorney, Agent, or Firm* — Saidman DesignLaw Group, LLC

(57) **CLAIM**

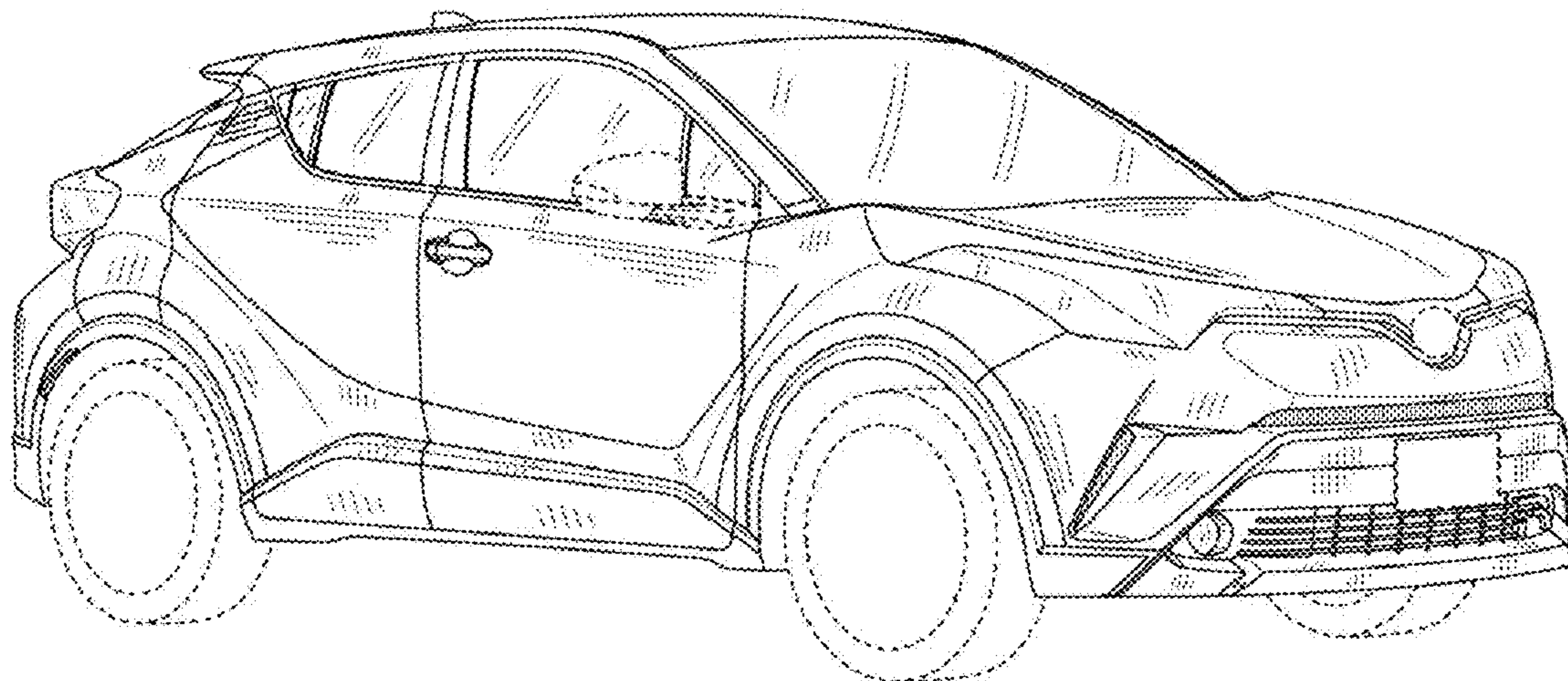
The ornamental design for a motor vehicle and/or toy replica thereof, as shown and described.

DESCRIPTION

FIG. 1 is a front and left side perspective view of a motor vehicle and/or toy replica thereof showing our new design; FIG. 2 is a front and right side perspective view thereof; FIG. 3 is a rear and left side perspective view thereof; FIG. 4 is a rear and right side perspective view thereof; FIG. 5 is a front view thereof; FIG. 6 is a rear view thereof; FIG. 7 is a top view thereof; FIG. 8 is a left side view thereof; and, FIG. 9 is a right side view thereof.

The broken line portions of the vehicle are shown for illustrative purpose only and form no part of the claimed design.

1 Claim, 9 Drawing Sheets



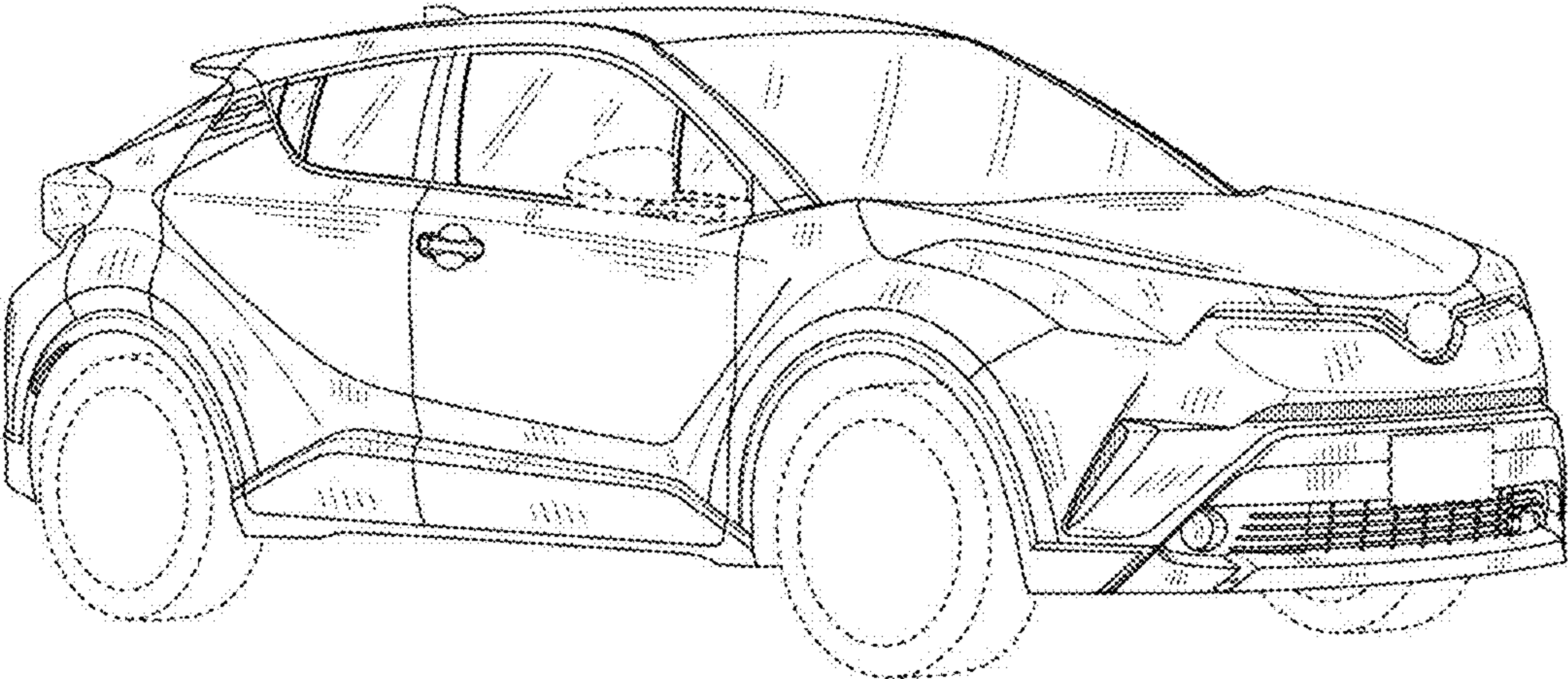


Fig. 1

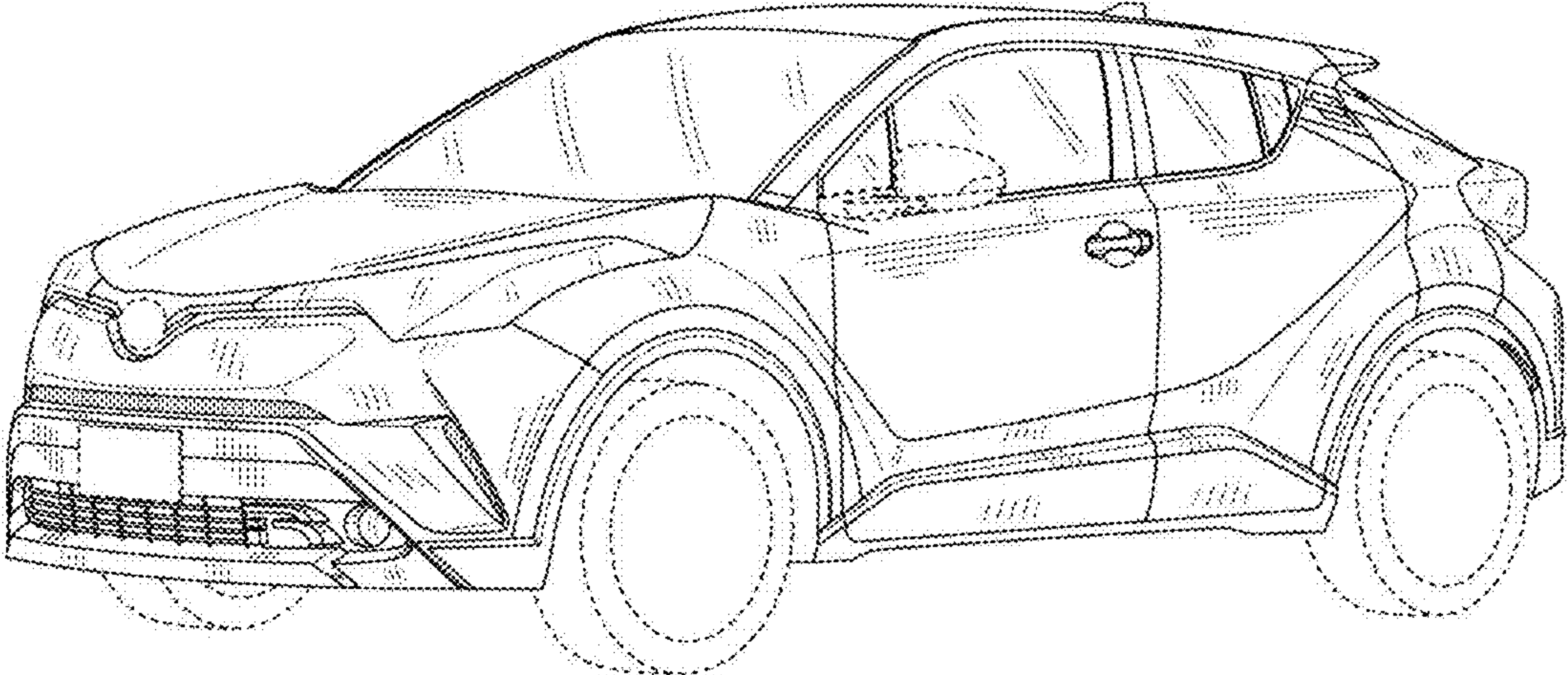


Fig. 2

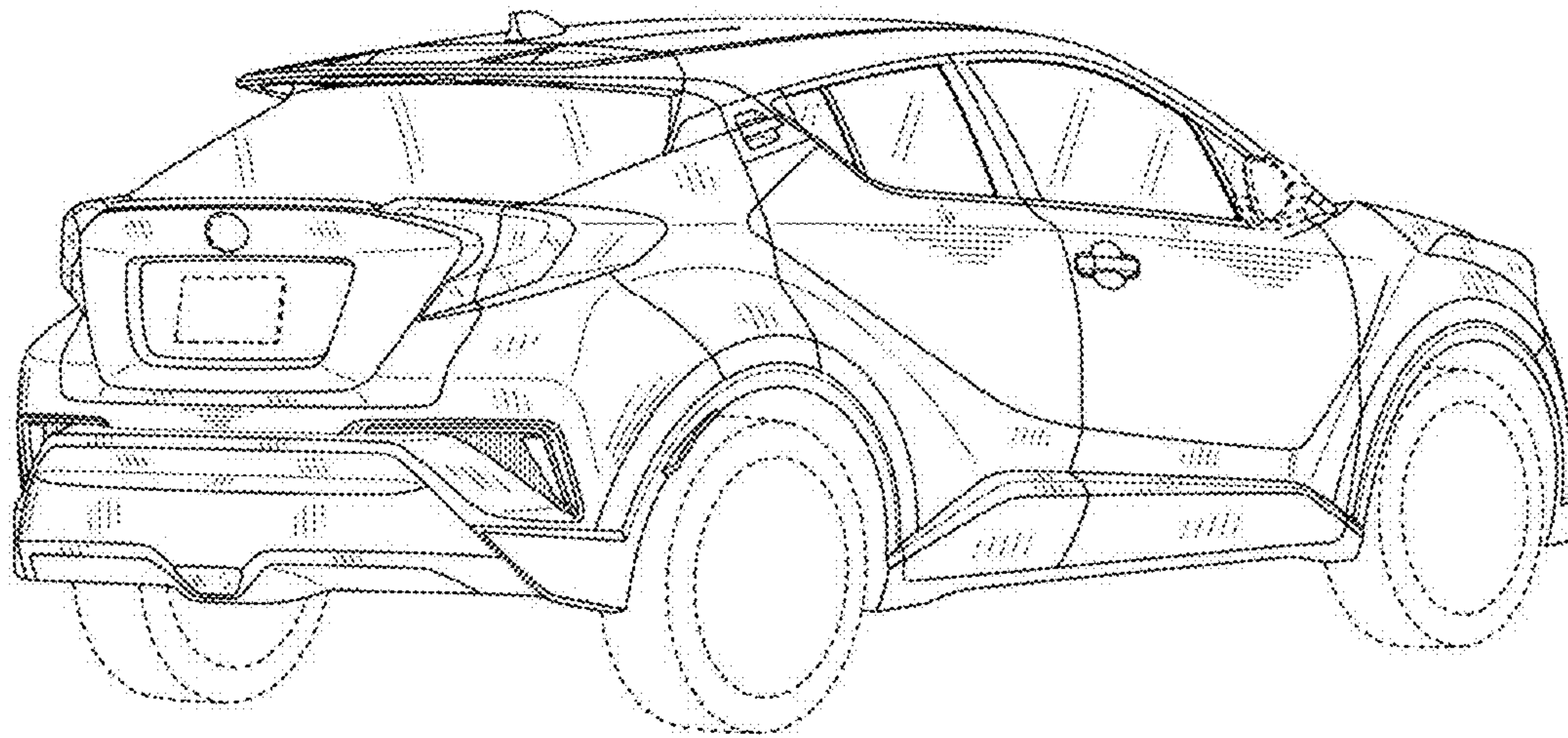


Fig. 3

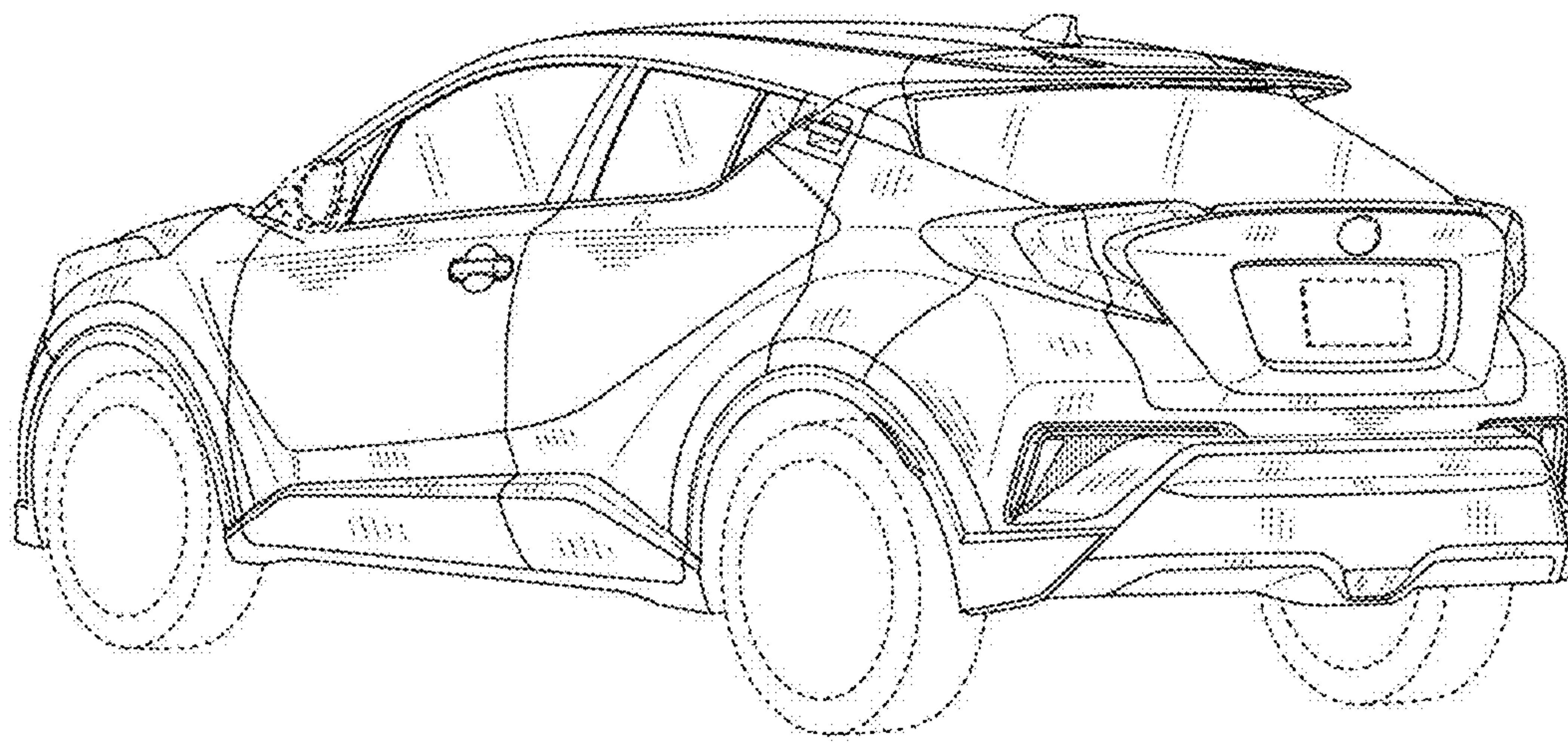


Fig. 4

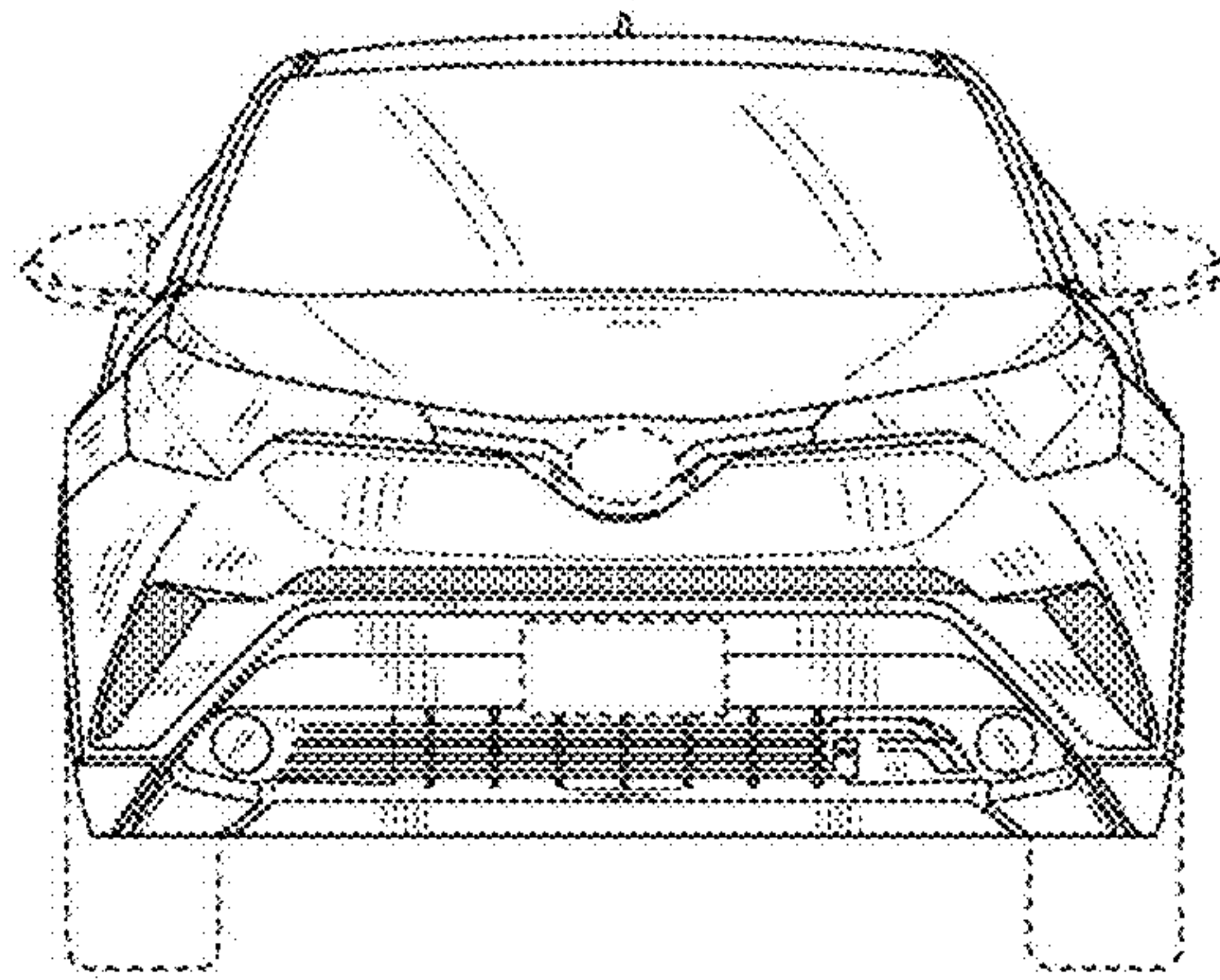


Fig. 5

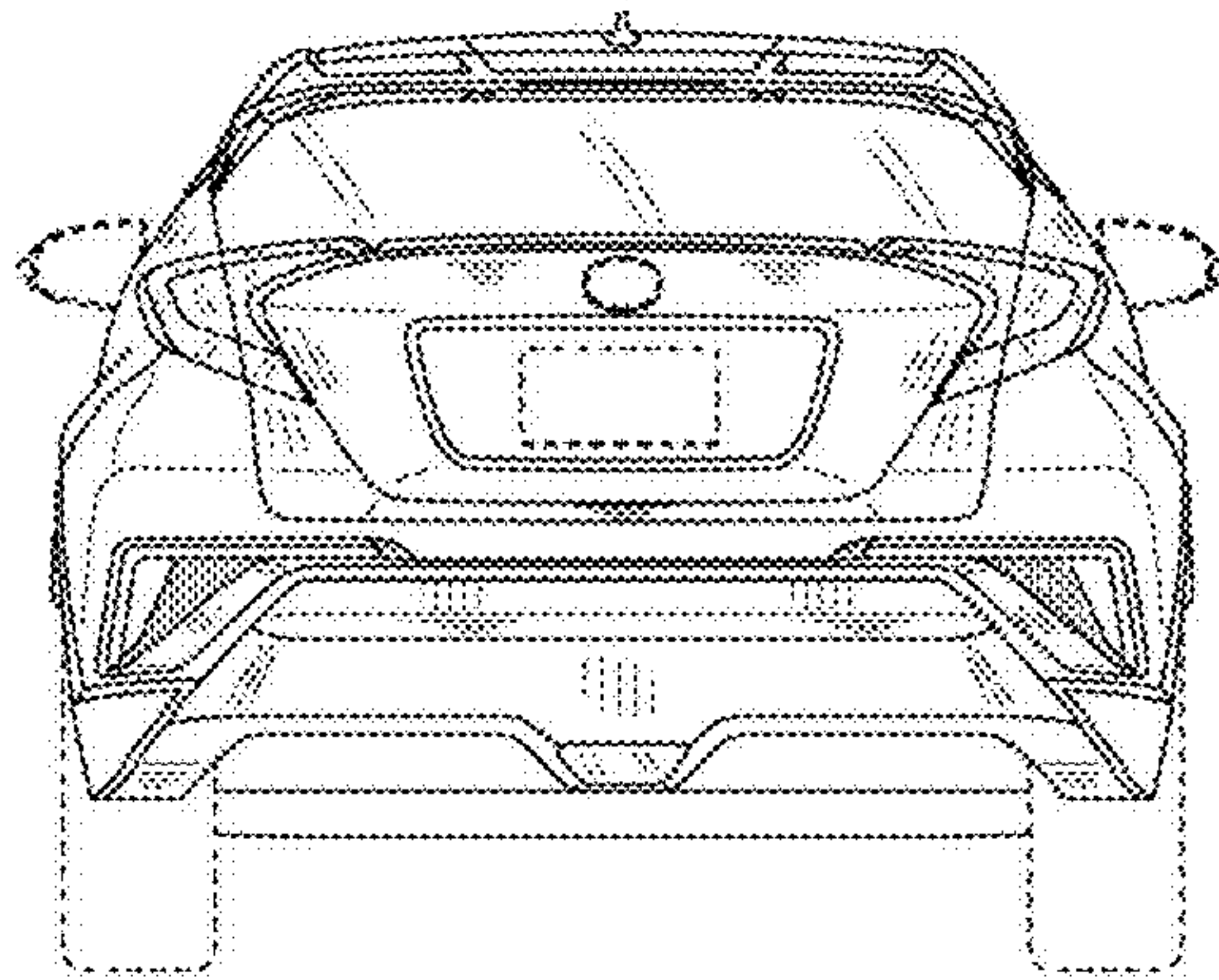


Fig. 6

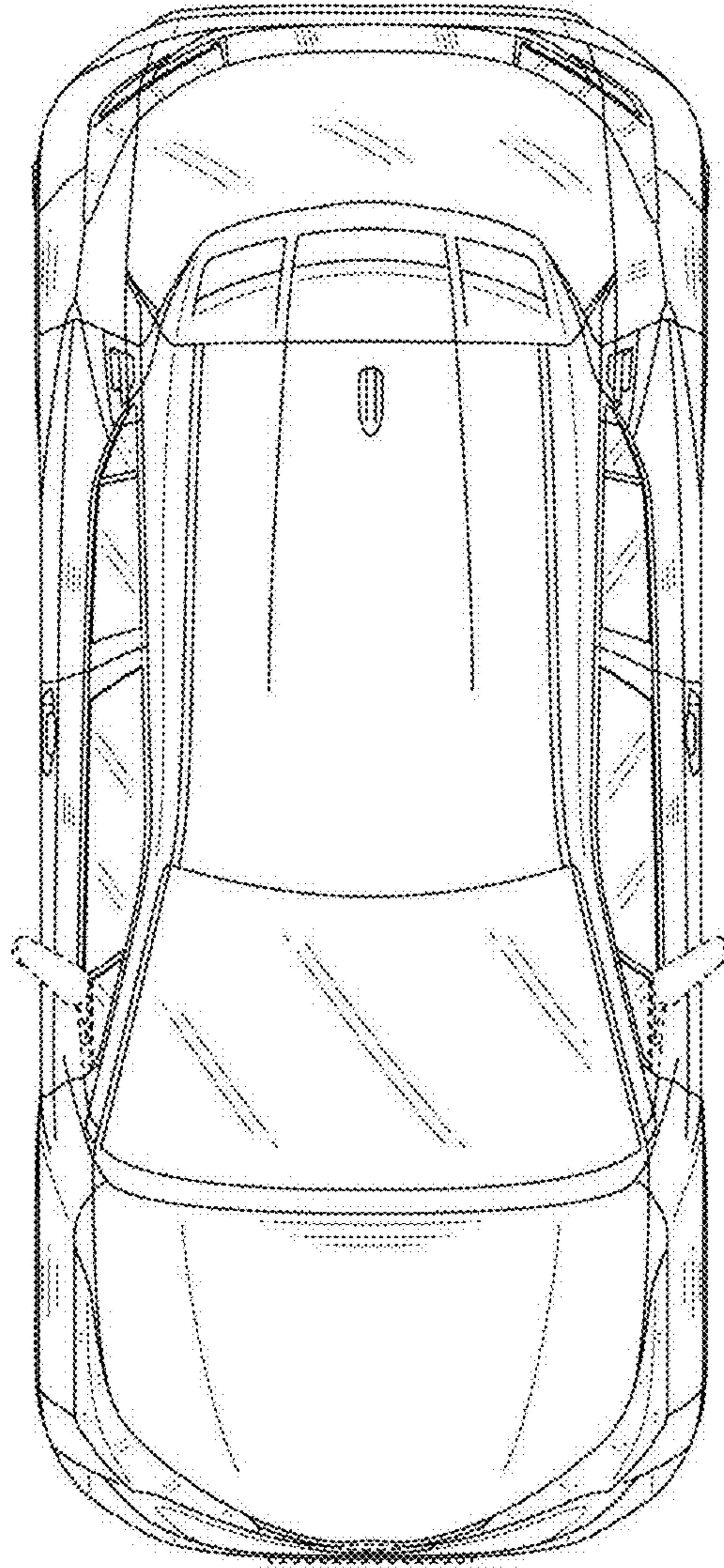


Fig. 7

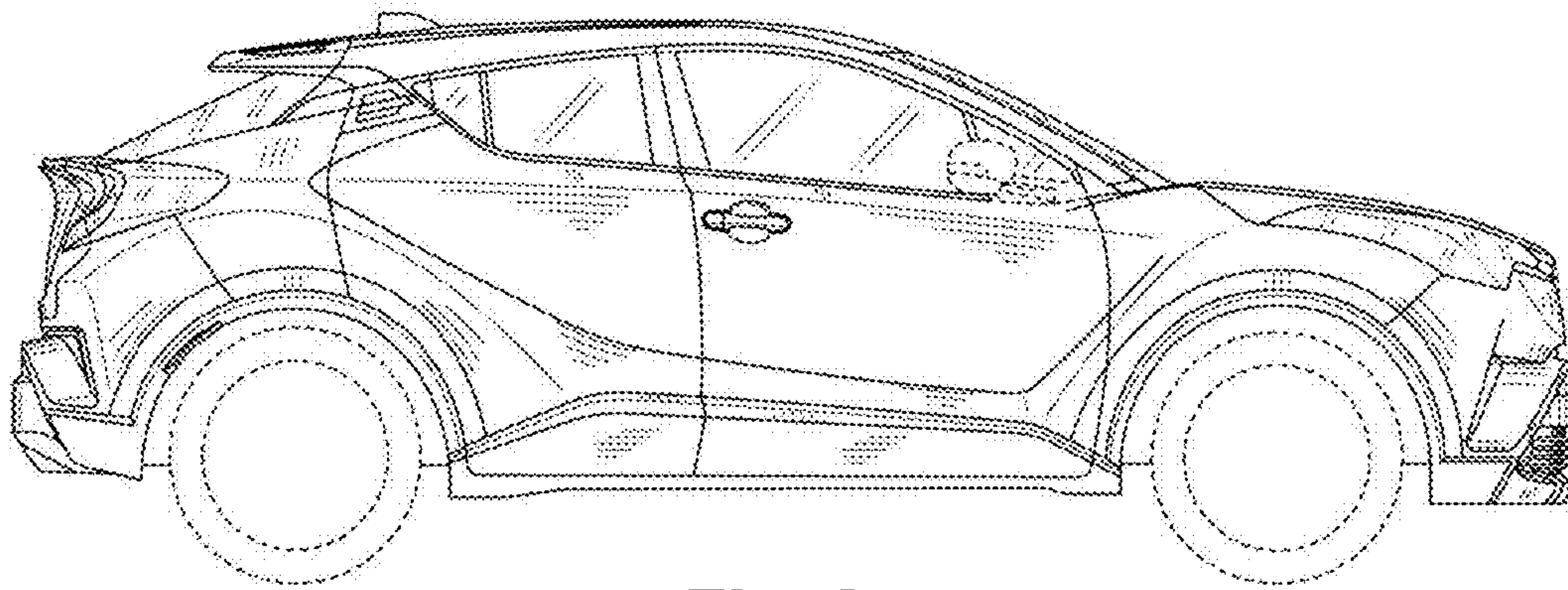


Fig. 8

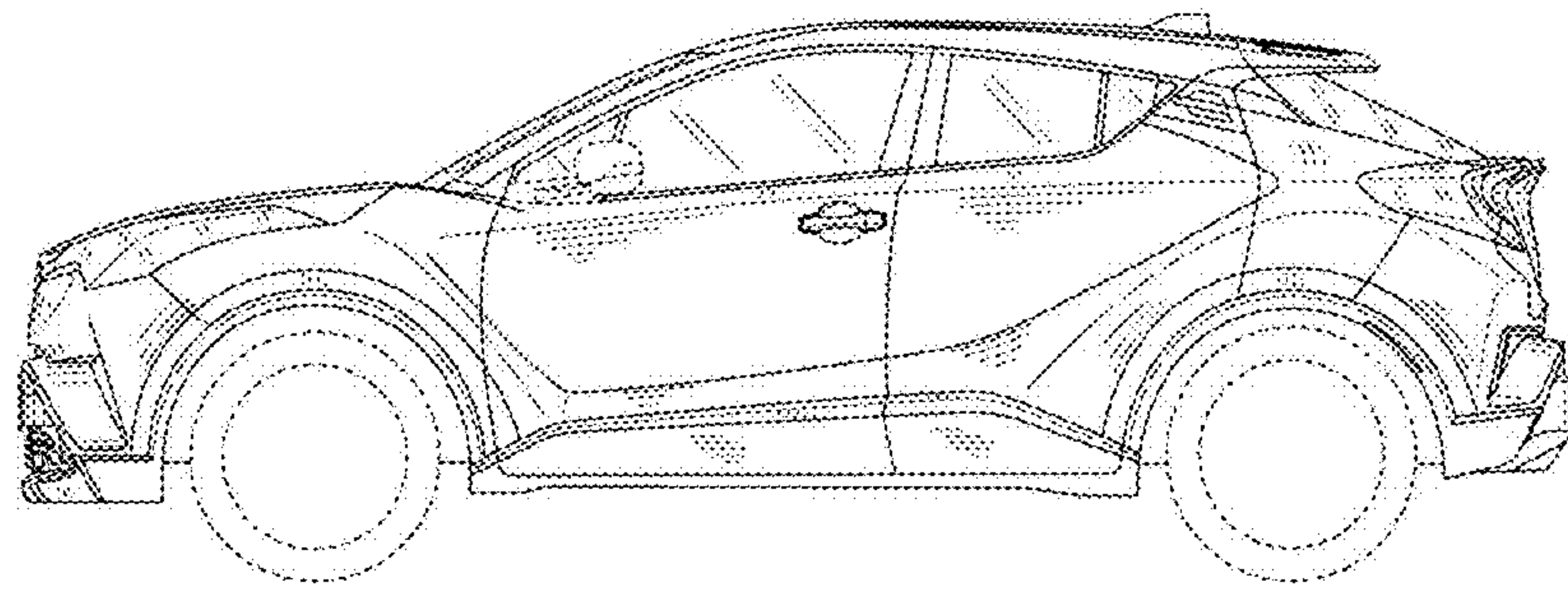


Fig. 9