



US00D793905S

(12) **United States Design Patent**  
**Liu et al.**

(10) **Patent No.:** **US D793,905 S**

(45) **Date of Patent:** **\*\* Aug. 8, 2017**

(54) **TWO WHEELED BALANCING SCOOTER**

(71) Applicant: **NINEBOT (BEIJING) TECH. CO., LTD**, Beijing (CN)  
(72) Inventors: **Lei Liu**, Beijing (CN); **Zhenyuan Zhang**, Beijing (CN); **Hui Zhang**, Beijing (CN); **Ye Wang**, Beijing (CN)  
(73) Assignee: **Ninebot (Beijing) Tech. Co., Ltd.**, Beijing (CN)

(\*\*) Term: **15 Years**

(21) Appl. No.: **35/500,778**

(22) Filed: **Nov. 11, 2015**

(80) **Hague Agreement Data**

Int. Filing Date: **Nov. 11, 2015**  
Int. Reg. No.: **DM/089858**  
Int. Reg. Date: **Nov. 11, 2015**  
Int. Reg. Pub. Date: **Apr. 1, 2016**

(30) **Foreign Application Priority Data**

May 12, 2015 (CN) ..... 2015 3 0136929

(51) **LOC (10) Cl.** ..... **12-14**

(52) **U.S. Cl.**  
USPC ..... **D12/1**

(58) **Field of Classification Search**

USPC ..... D12/1  
CPC ..... A63C 17/12; A63C 17/08; A63C 17/01;  
B62D 51/02; B62D 51/001; B62D 37/00;  
B62K 11/007; B60N 2/002; B60G 17/019  
See application file for complete search history.

(56) **References Cited**

**U.S. PATENT DOCUMENTS**

531,333 A 12/1894 Rogers  
701,390 A 6/1902 Provoost  
(Continued)

**OTHER PUBLICATIONS**

Ninebot (Beijing) Tech. Co.,Ltd. Design U.S. Appl. No. 35/500,946, filing receipt attached, published on May 13, 2016 as DM/090406, also attached.

(Continued)

*Primary Examiner* — George D Kirschbaum

(74) *Attorney, Agent, or Firm* — Oppedahl Patent Law Firm LLC

(57) **CLAIM**

The ornamental design for a two wheeled balancing scooter, as shown and described.

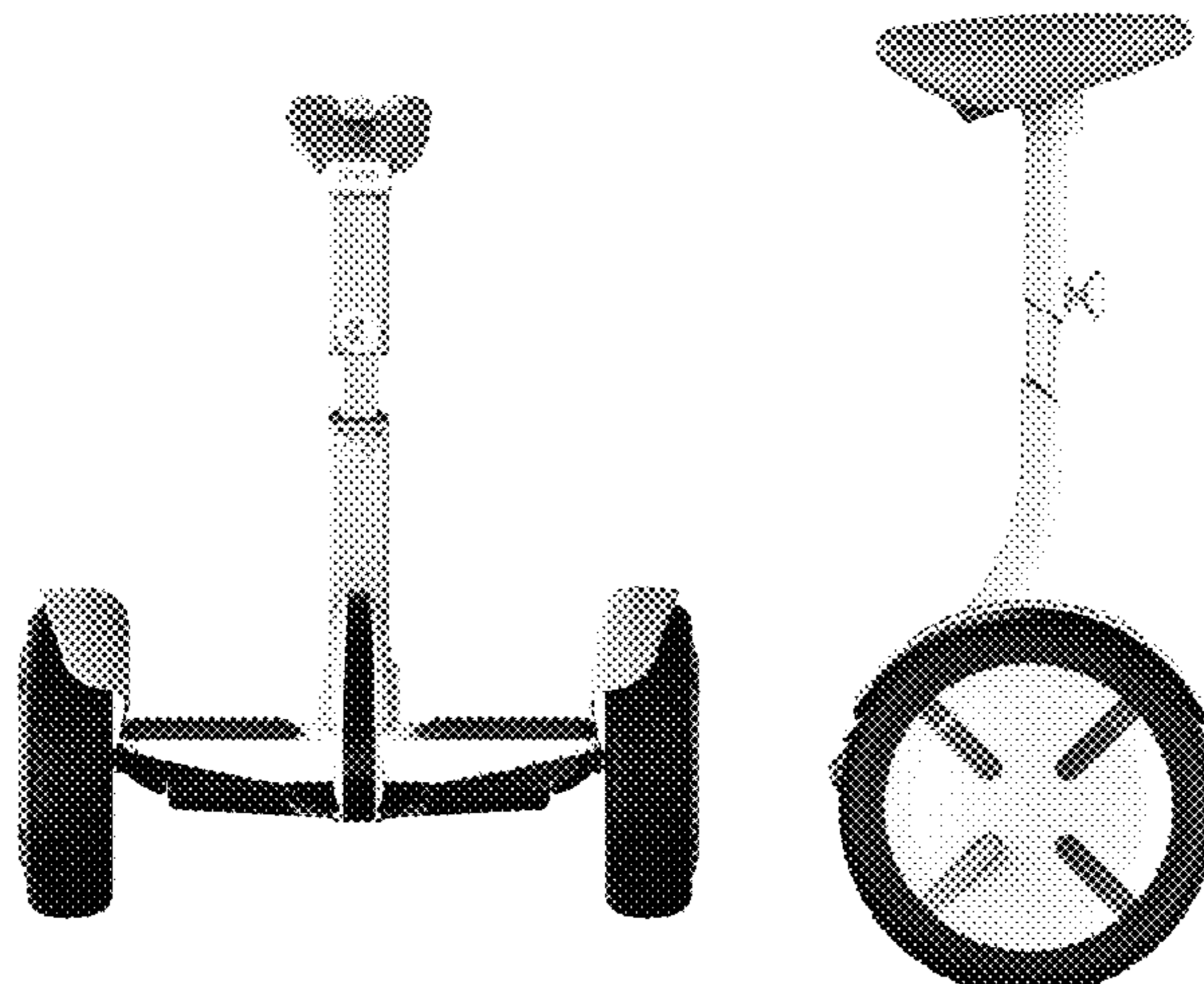
**DESCRIPTION**

The patent or application file contains at least one drawing executed in color. Copies of this patent or patent application publication with color drawing(s) will be provided by the Office upon request and payment of the necessary fee.

1.-2. Two wheeled balancing scooter

- 1.1 : Front
- 1.2 : Back
- 1.3 : Left
- 1.4 : Right
- 1.5 : Top
- 1.6 : Bottom
- 1.7 : Reference view
- 1.8 : Reference view
- 1.9 : Reference view
- 2.1 : Front
- 2.2 : Back
- 2.3 : Left
- 2.4 : Right
- 2.5 : Top
- 2.6 : Bottom
- 2.7 : Reference view
- 2.8 : Reference view
- 2.9 : Reference view

**1 Claim, 18 Drawing Sheets**  
**(9 of 18 Drawing Sheet(s) Filed in Color)**



(56)

References Cited

U.S. PATENT DOCUMENTS

4,387,925 A 6/1983 Barker  
 4,512,608 A 4/1985 Erani  
 D294,418 S 2/1988 Salvesen  
 D295,120 S 4/1988 Gordon  
 D352,687 S 11/1994 Markling  
 D355,235 S 2/1995 Homma  
 5,387,025 A 2/1995 Denisar  
 5,709,430 A 1/1998 Peters  
 5,823,618 A 10/1998 Fox  
 D401,427 S 11/1998 Jalkanen  
 6,068,333 A 5/2000 Dixon  
 6,652,025 B2 11/2003 Sylvester  
 6,866,107 B2 \* 3/2005 Heinzmann ..... A63C 17/12  
 180/218  
 6,907,949 B1 \* 6/2005 Wang ..... B62D 51/02  
 180/19.1  
 D528,468 S \* 9/2006 Arling ..... D12/1  
 7,243,572 B1 \* 7/2007 Arling ..... A63C 17/08  
 464/162  
 D551,592 S \* 9/2007 Chang ..... D12/1  
 D551,722 S \* 9/2007 Chang ..... B62K 11/007  
 D12/1  
 7,494,181 B2 2/2009 Tucker  
 D603,783 S 11/2009 Carlton

8,201,653 B2 \* 6/2012 Strassman ..... B60N 2/002  
 180/218  
 D669,409 S 10/2012 Arakelian  
 8,322,478 B2 \* 12/2012 Kim ..... B62K 11/007  
 180/218  
 8,453,768 B2 \* 6/2013 Kamen ..... B60G 17/019  
 180/21  
 D748,533 S \* 2/2016 Collins ..... D12/1  
 9,364,379 B2 6/2016 Hammond  
 9,400,502 B2 \* 7/2016 Kamen ..... A63C 17/01  
 D774,600 S \* 12/2016 Tao ..... D12/1  
 2005/0134014 A1 \* 6/2005 Xie ..... B62D 51/001  
 280/93.502  
 2008/0245594 A1 \* 10/2008 Ishii ..... B62D 37/00  
 180/218

OTHER PUBLICATIONS

Ninebot (Beijing) Tech. Co.,Ltd. Design U.S. Appl. No. 35/500,779,  
 filing receipt attached, published on Apr. 1, 2016 as DM/089860,  
 also attached.  
 Ninebot (Beijing) Tech. Co., Ltd. Design U.S. Appl. No.  
 35/500,798, filing receipt attached, published on Apr. 8, 2016 as  
 DM/089914, also attached.

\* cited by examiner

1.1

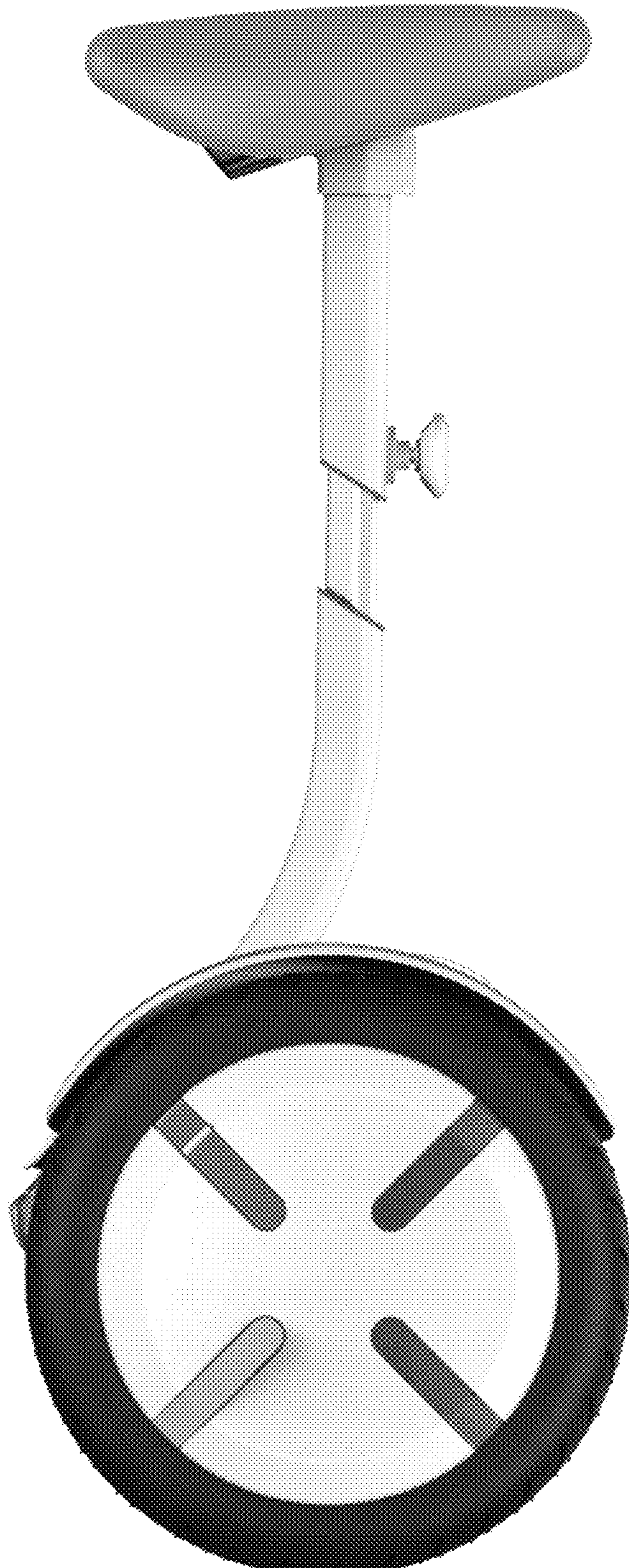




1.2



1.3



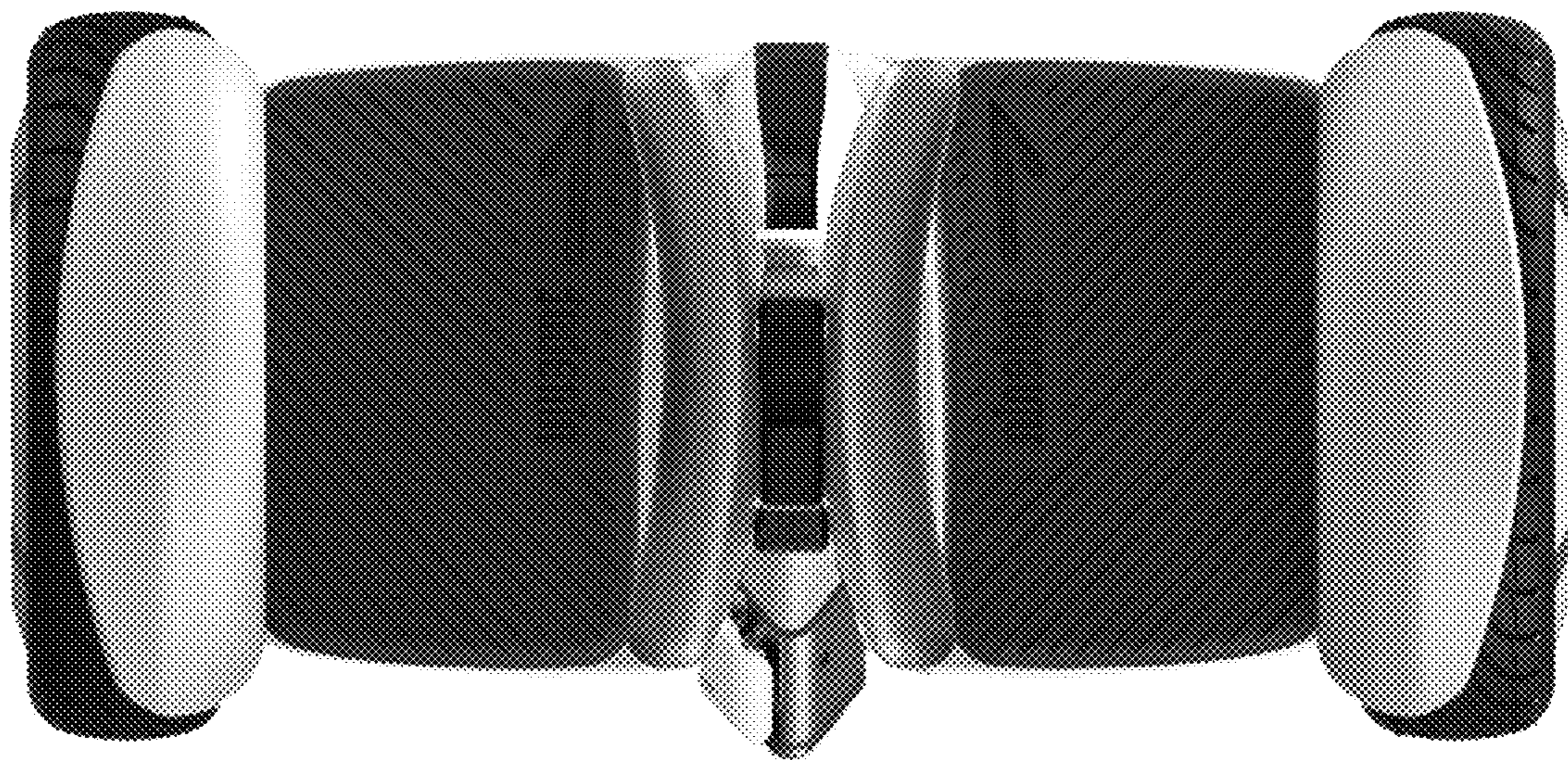


1.4



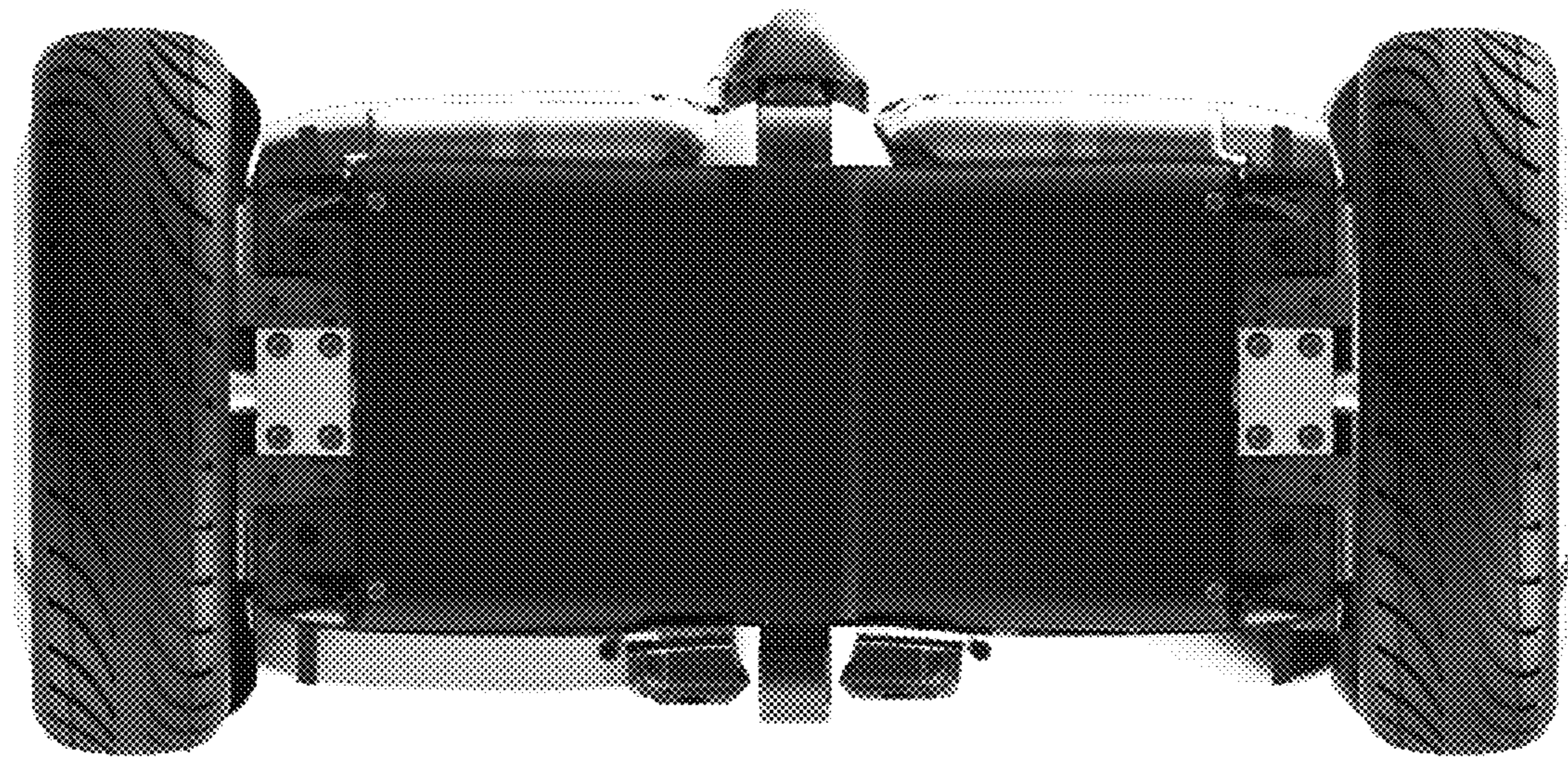


1.5





1.6

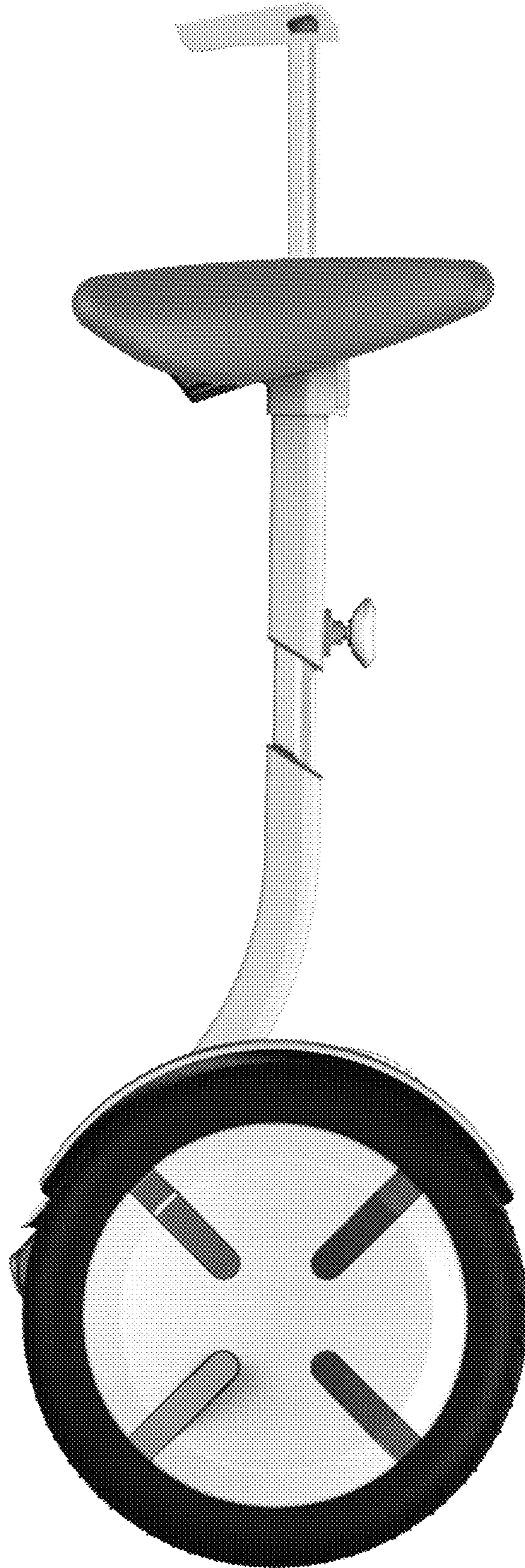




1.7



1.8





1.9



2.1





2.2



2.3





2.4



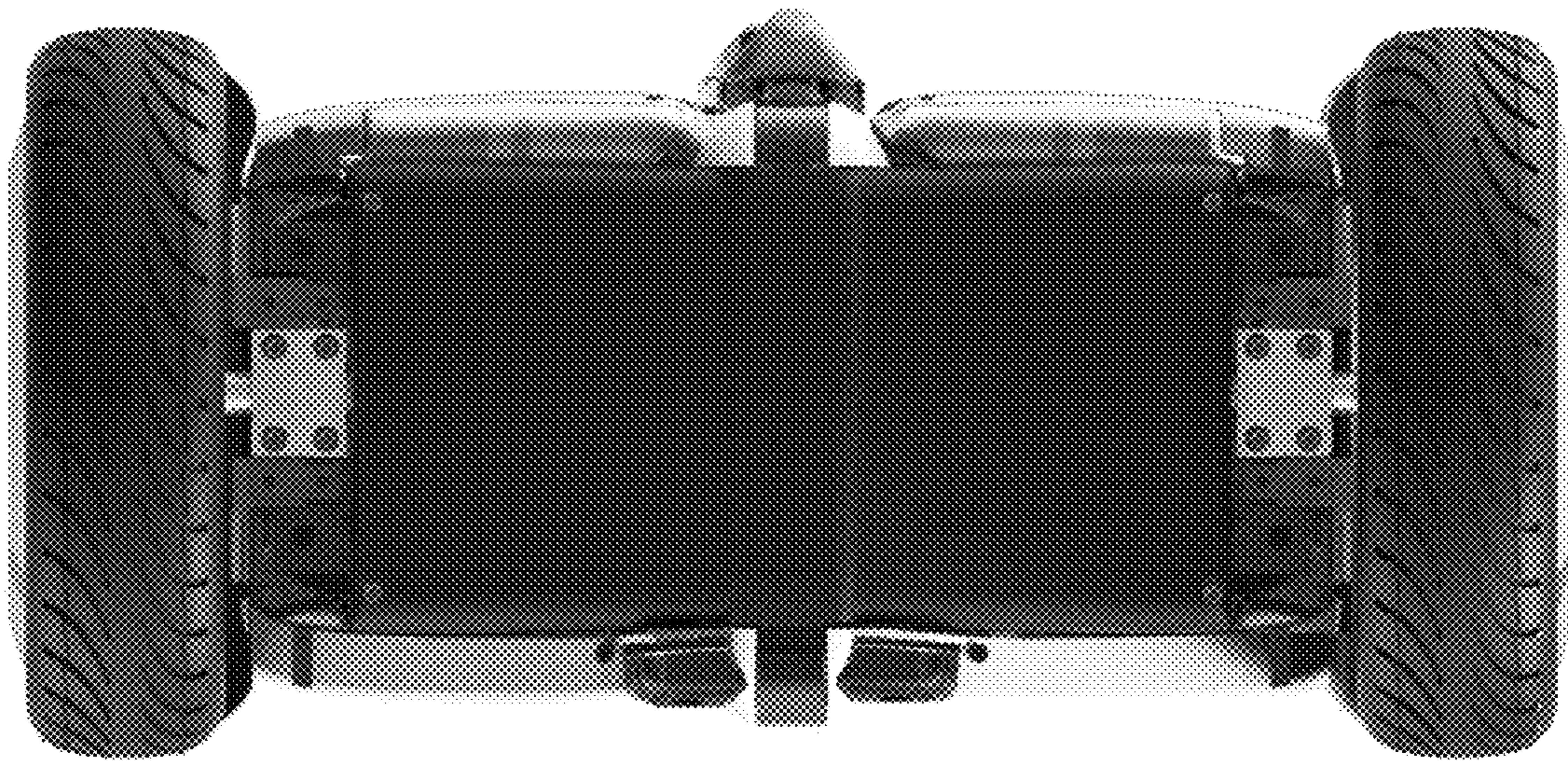


2.5





2.6



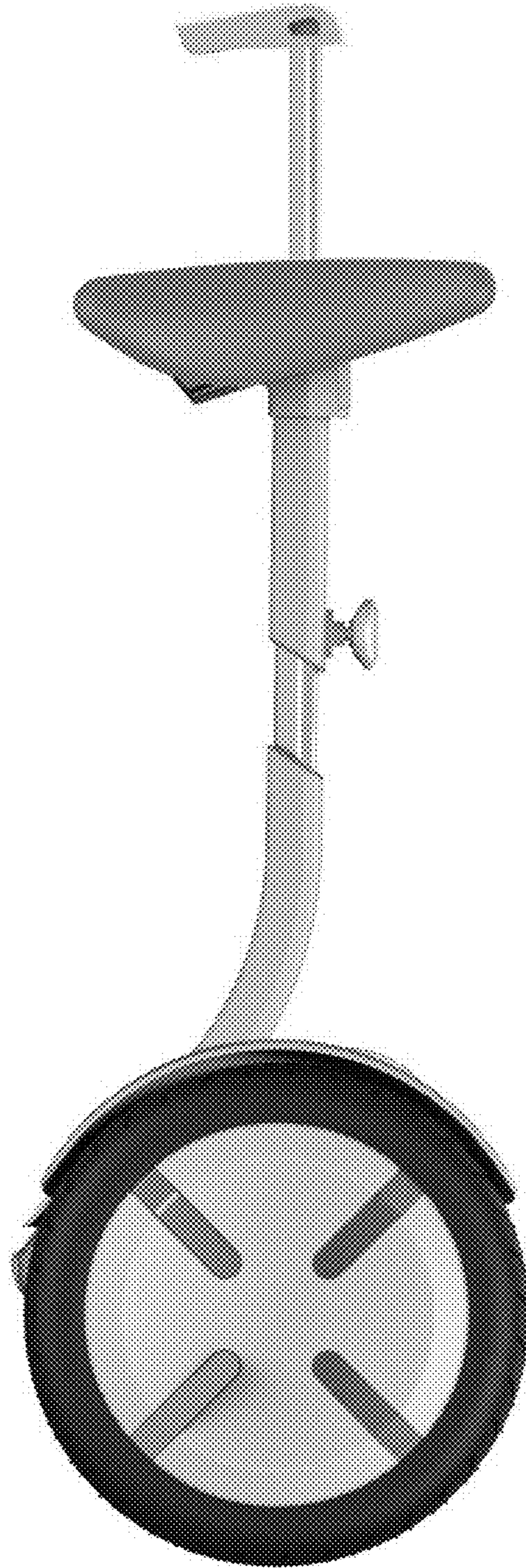


2.7





2.8



2.9

