



US00D793903S

(12) **United States Design Patent**
Bolen

(10) **Patent No.:** **US D793,903 S**

(45) **Date of Patent:** **** Aug. 8, 2017**

(54) **BUTTON ADAPTER**

(71) Applicant: **Capitol Industrial Design LLC,**
Kansas City, MO (US)

(72) Inventor: **Robert Bolen,** Bethesda, MD (US)

(73) Assignee: **Capitol Industrial Design LLC,**
Kansas City, MO (US)

(**) Term: **15 Years**

(21) Appl. No.: **29/594,584**

(22) Filed: **Feb. 21, 2017**

(51) **LOC (10) Cl.** **02-07**

(52) **U.S. Cl.**
USPC **D11/222**

(58) **Field of Classification Search**
USPC D11/220, 222, 223; 24/94, 101 B,
24/103-109, 112, 113 R, 114.05, 114.08,
24/114.7, 303, 594.11; 2/96, 265-266
CPC A44B 1/04; A44B 1/08; A44B 1/14; A44B
1/18; A44B 1/24; A44B 1/28; A44B 1/30;
A44B 1/34; A44B 1/38; A44B 1/44;
A44B 17/0064; A44B 17/0082; A41F
1/00; A41F 1/002; A41F 1/004; F16B
12/26; A44D 2203/00
See application file for complete search history.

(56) **References Cited**

U.S. PATENT DOCUMENTS

1,548,250 A * 8/1925 Bobner A44B 1/28
24/94
2,228,043 A * 1/1941 Baggerud A44B 1/34
2/266
2,654,133 A * 10/1953 Buren, Jr. A44B 1/28
24/109
2,713,187 A * 7/1955 Chaves A44B 1/14
24/104
3,021,583 A * 2/1962 Grannen A44B 1/28
24/109

3,141,216 A * 7/1964 Haskell A41F 1/002
24/303
3,186,050 A * 6/1965 Moise A44B 1/30
24/105
3,343,230 A 9/1967 Darvie
3,479,703 A * 11/1969 Embry A44B 1/34
24/107
3,583,038 A * 6/1971 Wilk A44B 1/18
24/114.05
3,638,285 A * 2/1972 Sanchez Giraldez ... F16B 12/26
24/108

(Continued)

FOREIGN PATENT DOCUMENTS

CA 2922919 A1 5/2016
EP 1736068 A1 12/2006

Primary Examiner — Ian Simmons

Assistant Examiner — Mark Cavanna

(74) *Attorney, Agent, or Firm* — Duane Morris LLP

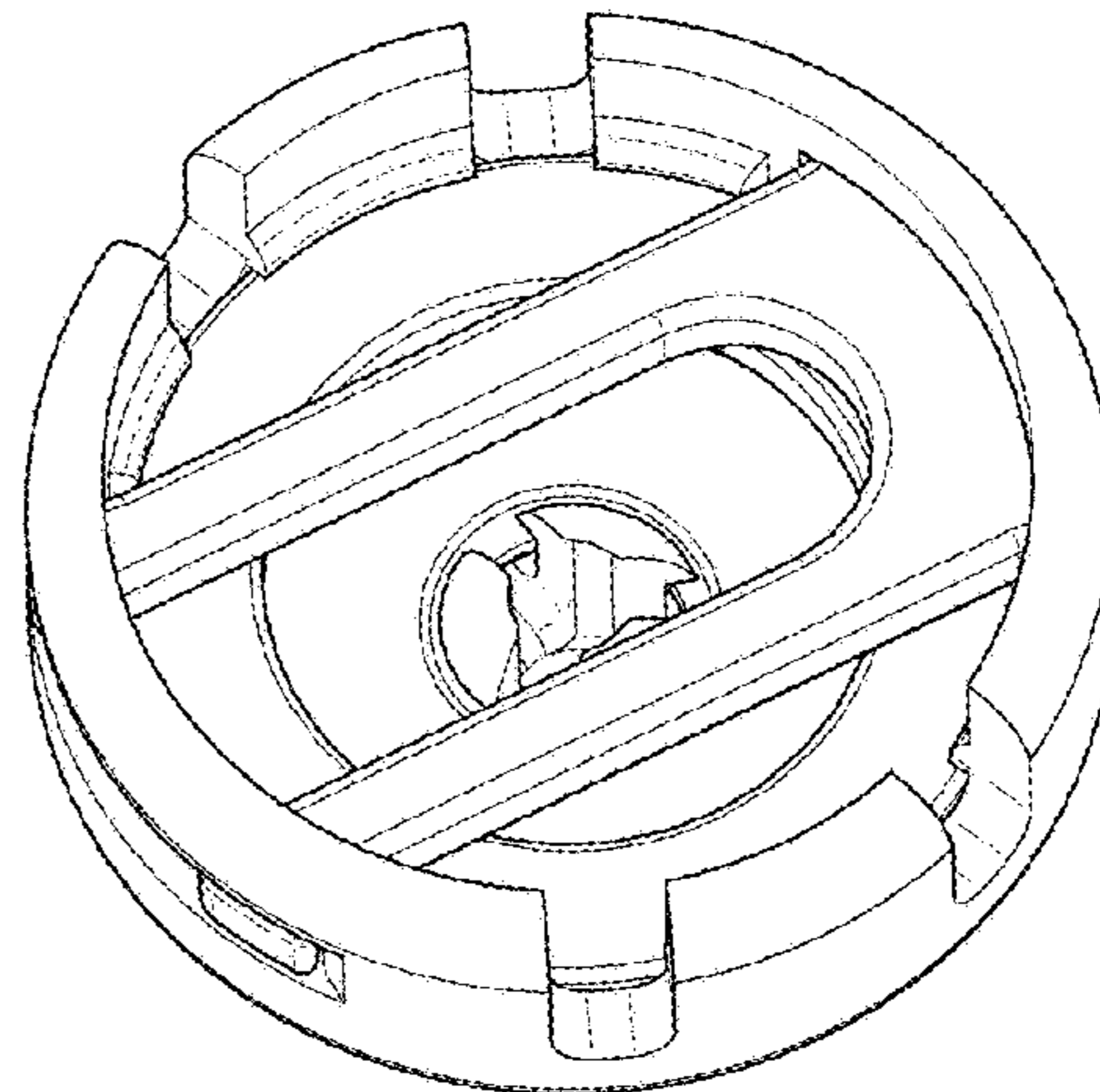
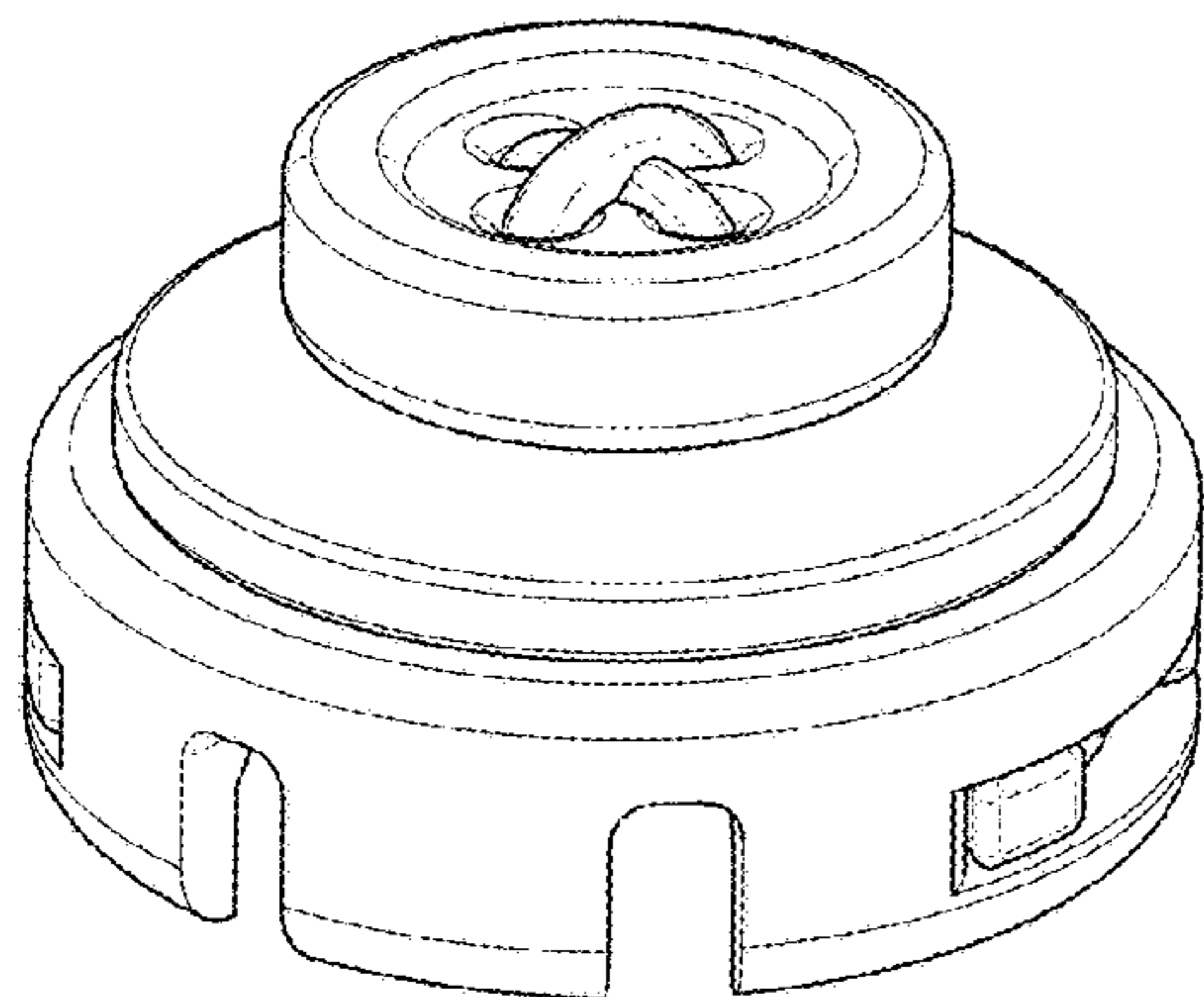
(57) **CLAIM**

The ornamental design for a button adapter, as shown and described.

DESCRIPTION

FIG. 1 is a top perspective view of a button adapter;
FIG. 2 is a front elevation view thereof;
FIG. 3 is a rear elevation view thereof;
FIG. 4 is a left elevation view thereof;
FIG. 5 is a right elevation view thereof;
FIG. 6 is a top plan view thereof;
FIG. 7 is a bottom plan view thereof;
FIG. 8 is a bottom perspective view thereof;
FIG. 9 is a bottom, front-left exploded view thereof;
FIG. 10 is a bottom, rear-right exploded view thereof;
FIG. 11 is a top front-right exploded view thereof;
FIG. 12 is a top, rear-left exploded view thereof; and,
FIG. 13 is a cross-sectional view thereof.

1 Claim, 10 Drawing Sheets



(56)

References Cited

U.S. PATENT DOCUMENTS

3,689,962 A *	9/1972	Erickson	A44B 1/34	8,522,404 B2 *	9/2013	Matei	A44B 1/28
			24/108				24/104
3,777,336 A	12/1973	Anderson		8,631,517 B1 *	1/2014	Blakely	A41F 1/004
4,097,969 A *	7/1978	Nysten	A44B 1/44				2/96
			24/103	D728,420 S *	5/2015	Leung	D11/220
D288,185 S *	2/1987	Derosa	D11/222	D751,461 S *	3/2016	Pershinsky	D11/222
4,777,704 A *	10/1988	Acker	A44B 17/0082	9,307,806 B1 *	4/2016	Dorman	A44B 1/14
			24/106	D763,730 S	8/2016	Nielsen	
4,794,672 A *	1/1989	Olovson	A44B 1/18	9,433,257 B2	9/2016	Taetzsch	
			24/103	D768,538 S *	10/2016	Chen	D11/222
4,926,527 A *	5/1990	Sekiguchi	A44B 1/04	D781,178 S *	3/2017	Harpole	D11/222
			24/104	2005/0177985 A1 *	8/2005	Sjoquist	A41F 1/002
5,161,285 A	11/1992	Jerjian					24/104
D335,266 S	5/1993	Morita		2008/0244873 A1 *	10/2008	Yamashita	A44B 1/04
5,337,584 A *	8/1994	Angeli	A44B 1/14				24/90.1
			24/113 R	2009/0217490 A1 *	9/2009	Lu	A44B 1/04
D361,740 S *	8/1995	Kidd	D11/228				24/114.9
5,621,951 A	4/1997	Gould		2015/0135489 A1 *	5/2015	Bolen	A44B 17/0064
D390,162 S *	2/1998	Philipson	D11/222				24/594.11
6,393,669 B1 *	5/2002	Kalinowski	A44B 1/38	2015/0237968 A1 *	8/2015	Liammari	A44B 1/34
			24/101 B				24/114.05
7,856,697 B2 *	12/2010	Quimod	A44B 1/04	2016/0000189 A1 *	1/2016	Bolen	A44B 1/08
			24/113 R				24/303
				2016/0309820 A1 *	10/2016	Bolen	A44B 1/08

* cited by examiner

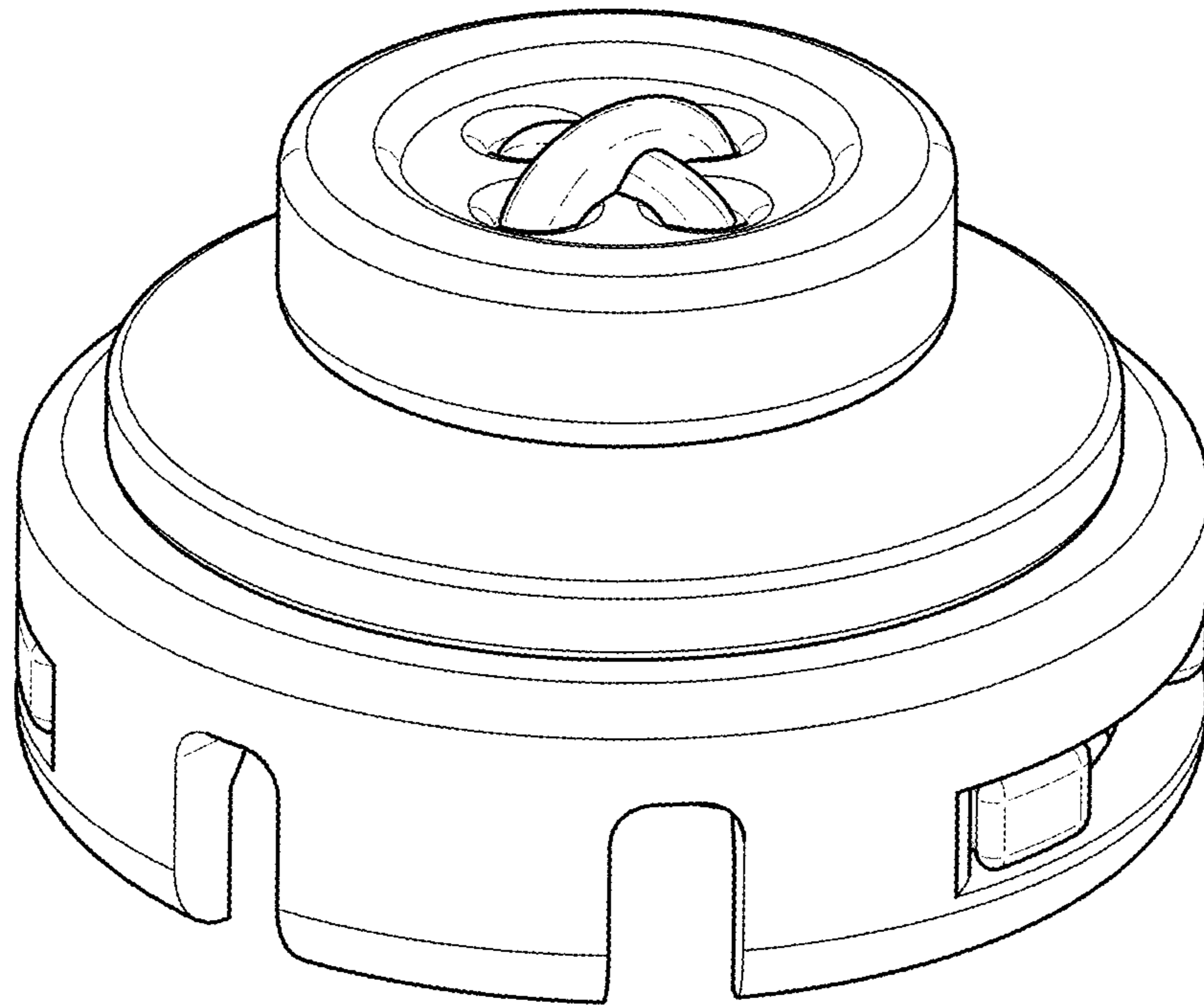


Fig. 1

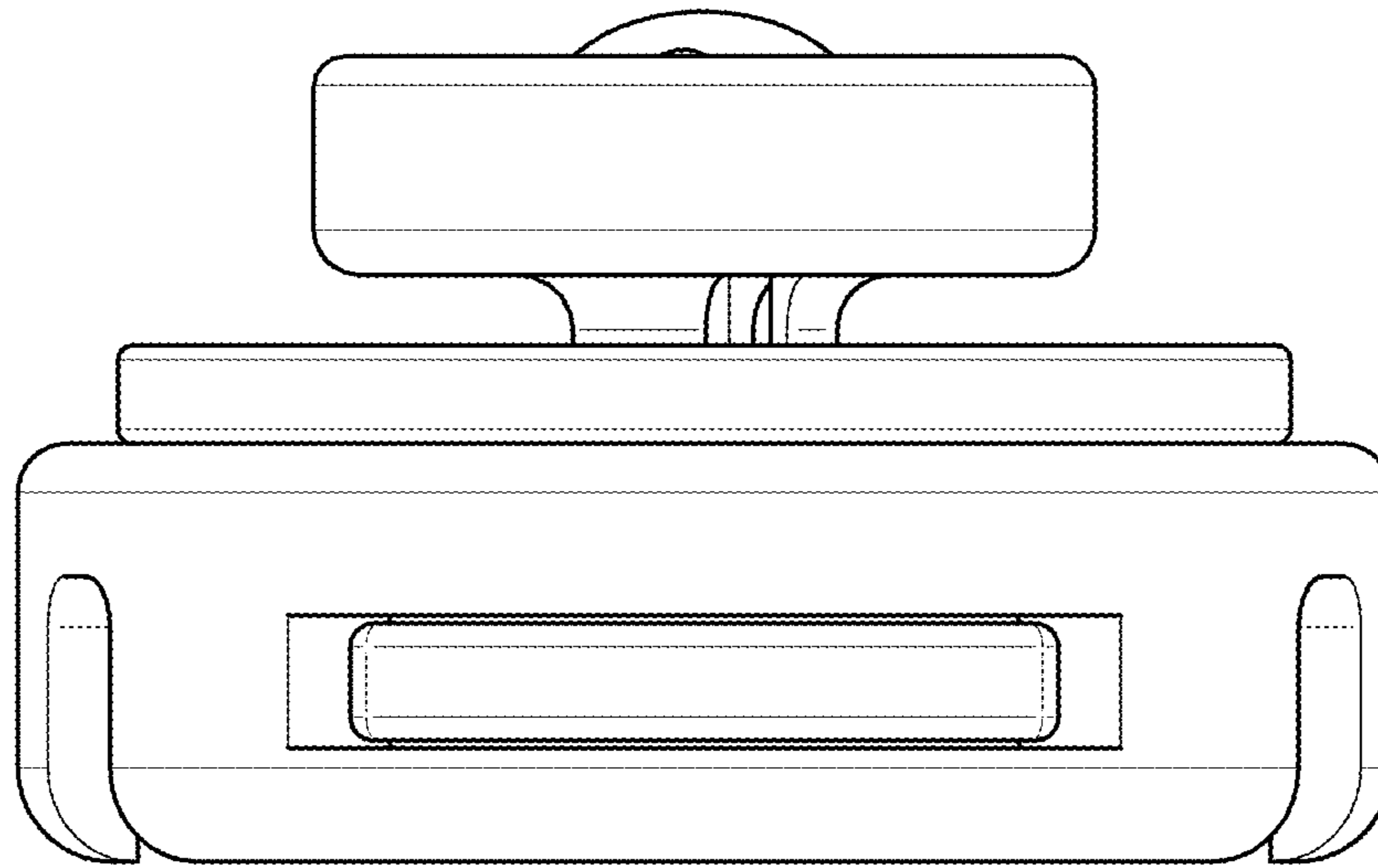


Fig. 2

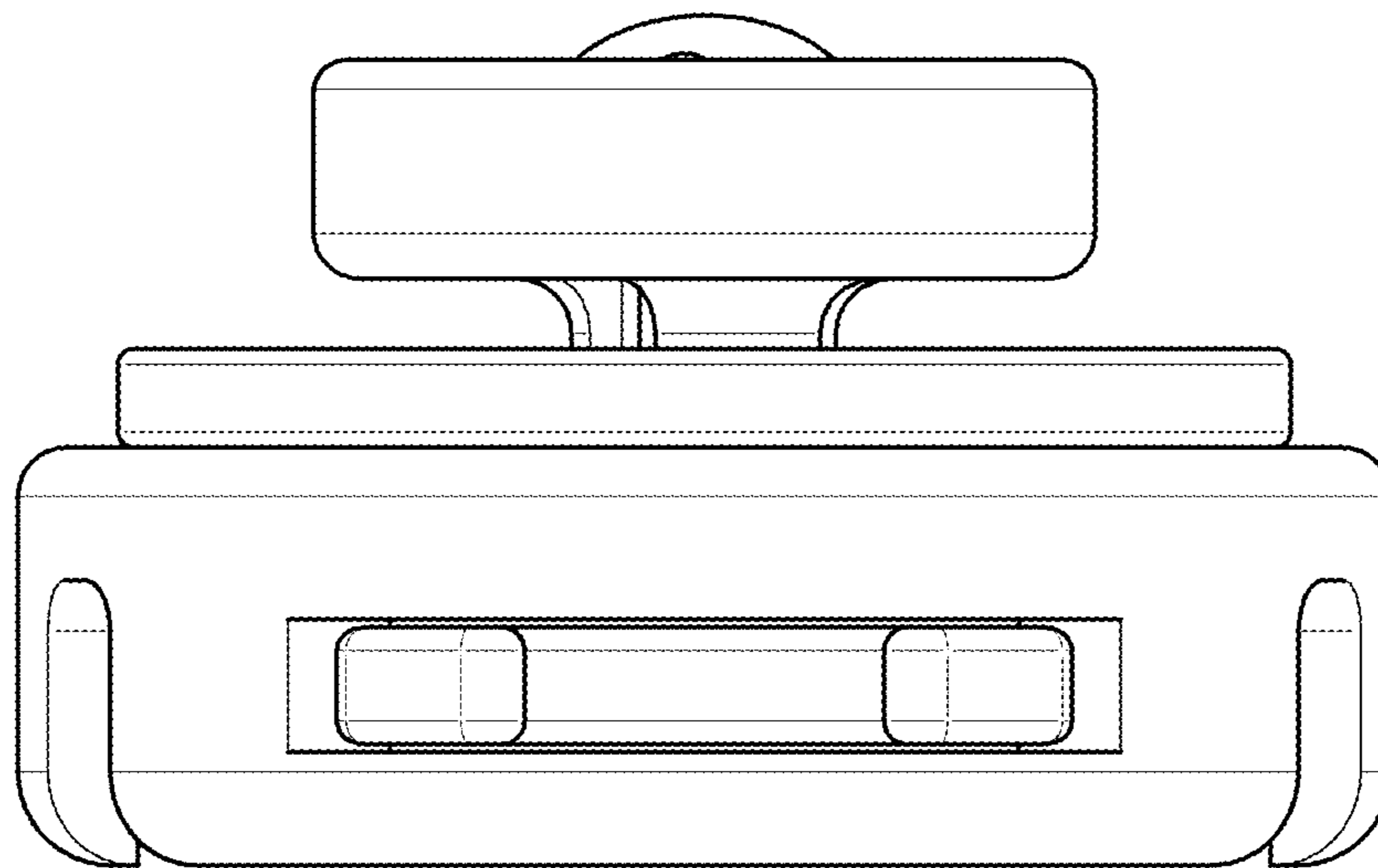


Fig. 3

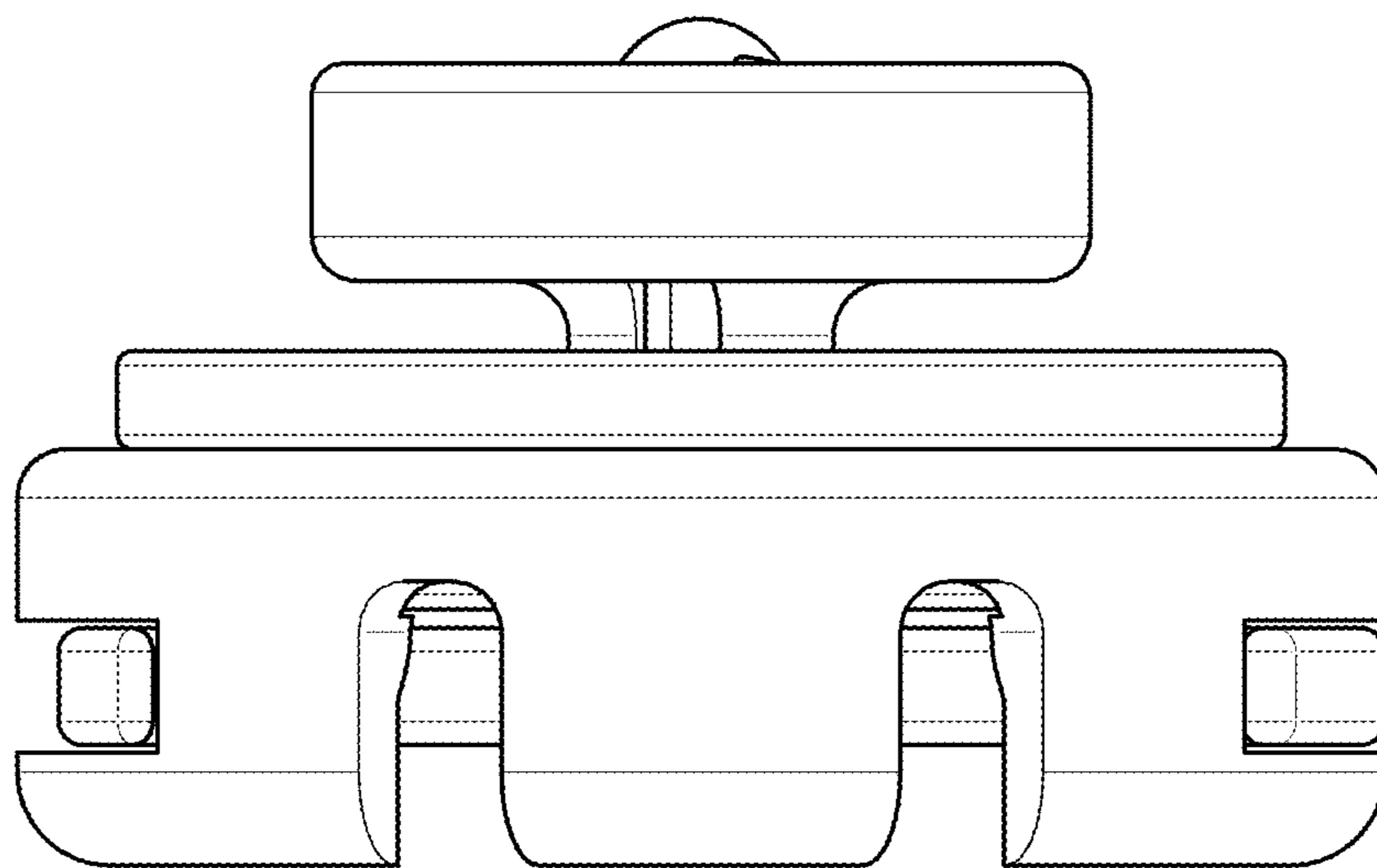


Fig. 4

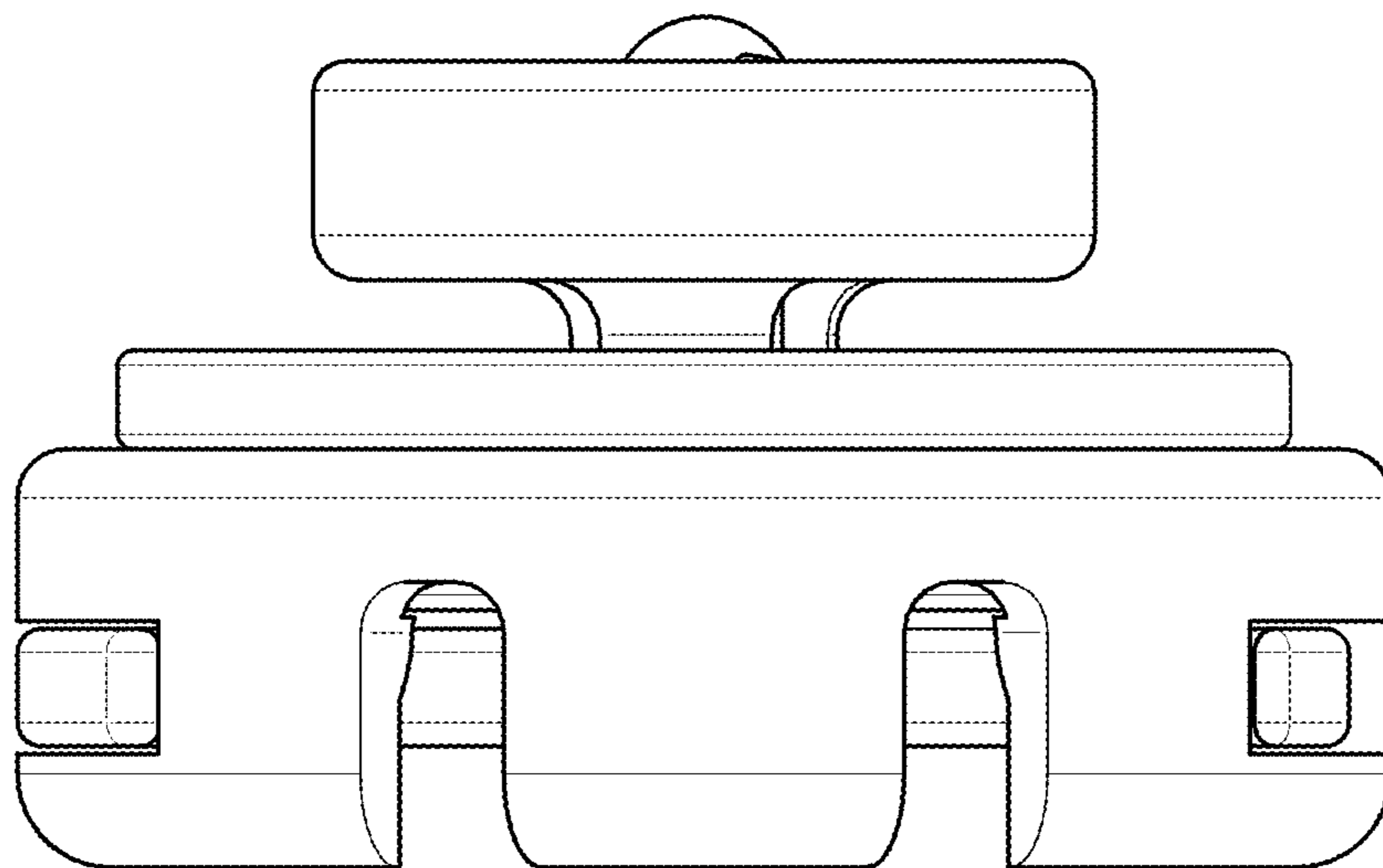


Fig. 5

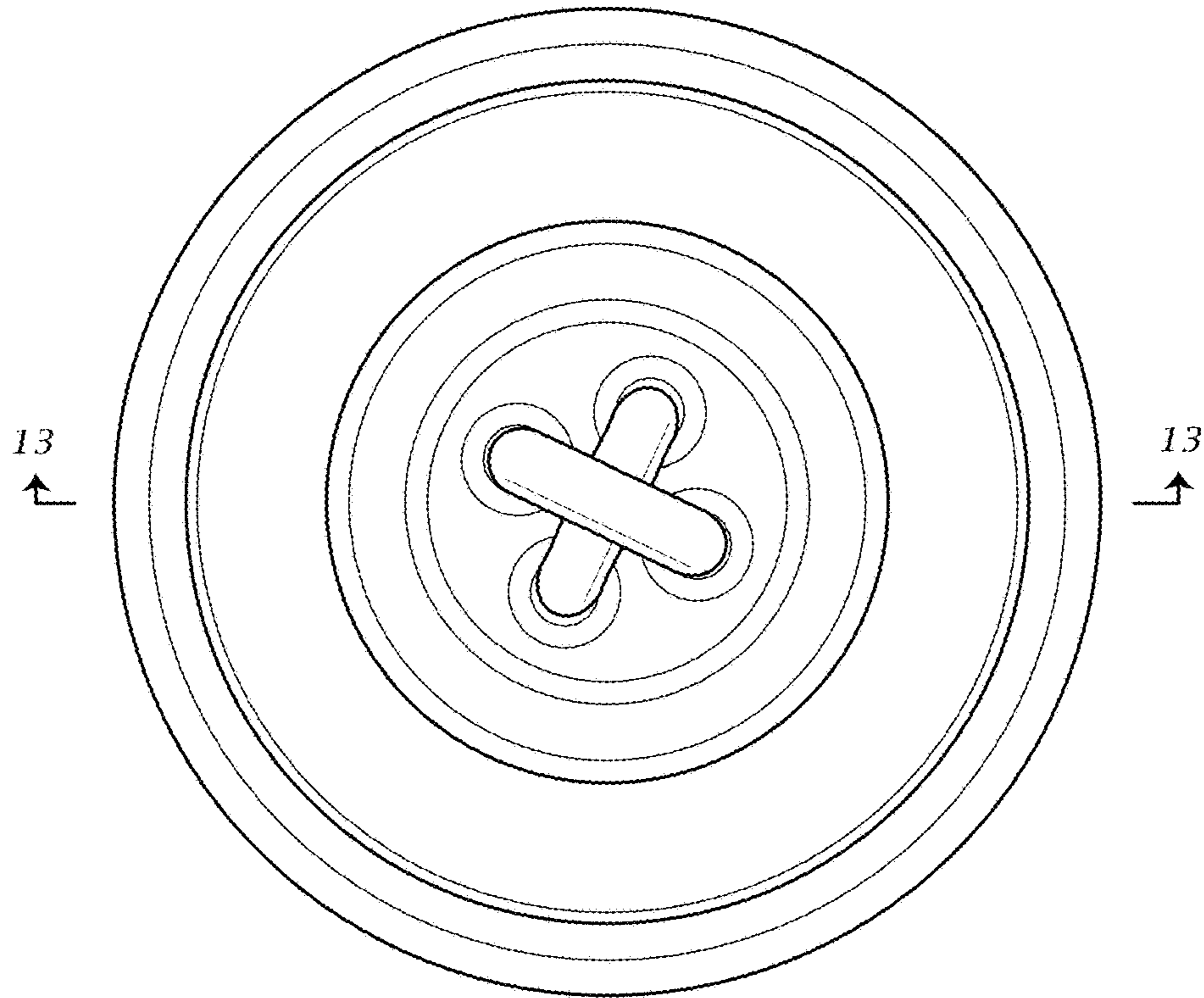


Fig. 6

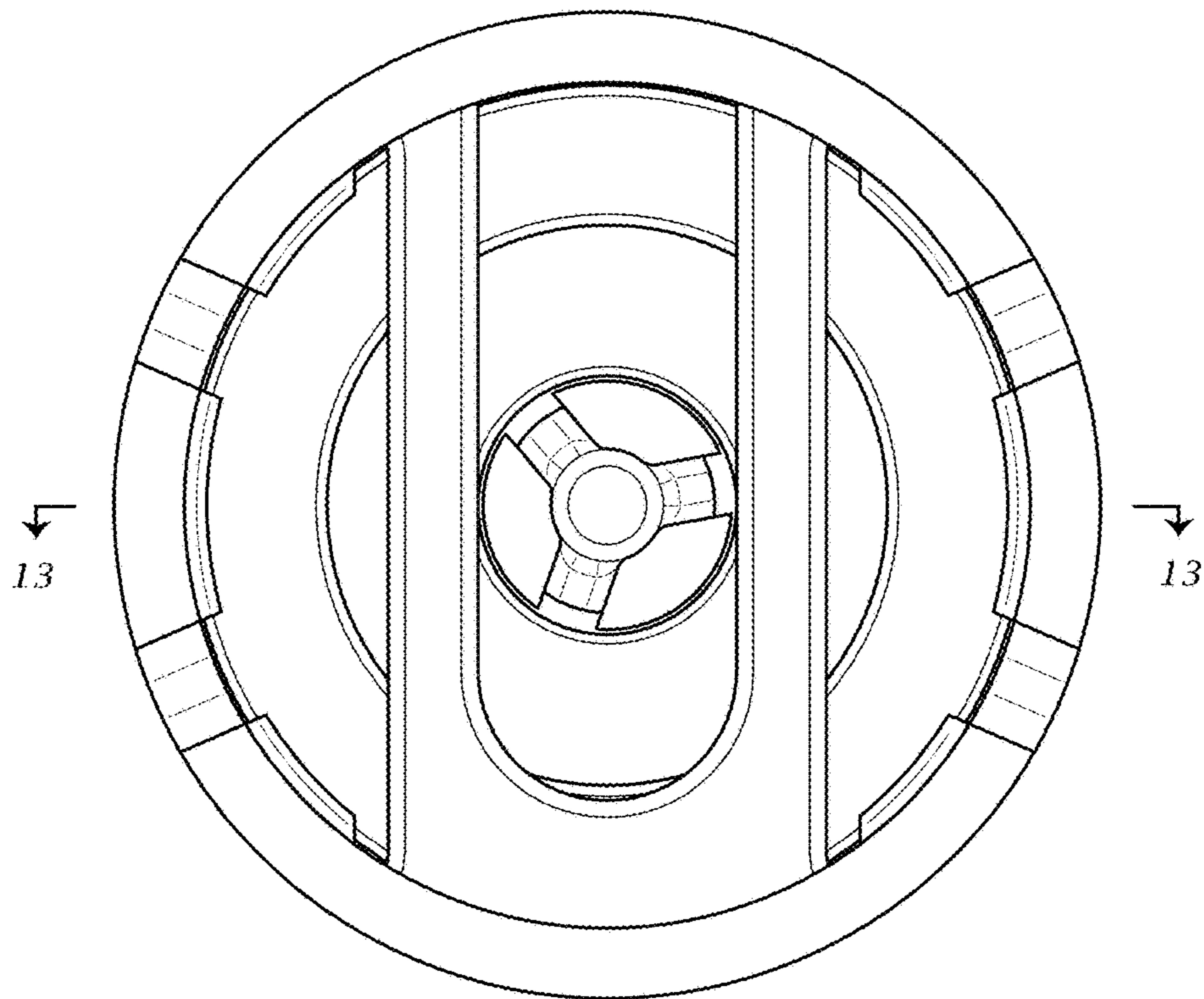


Fig. 7

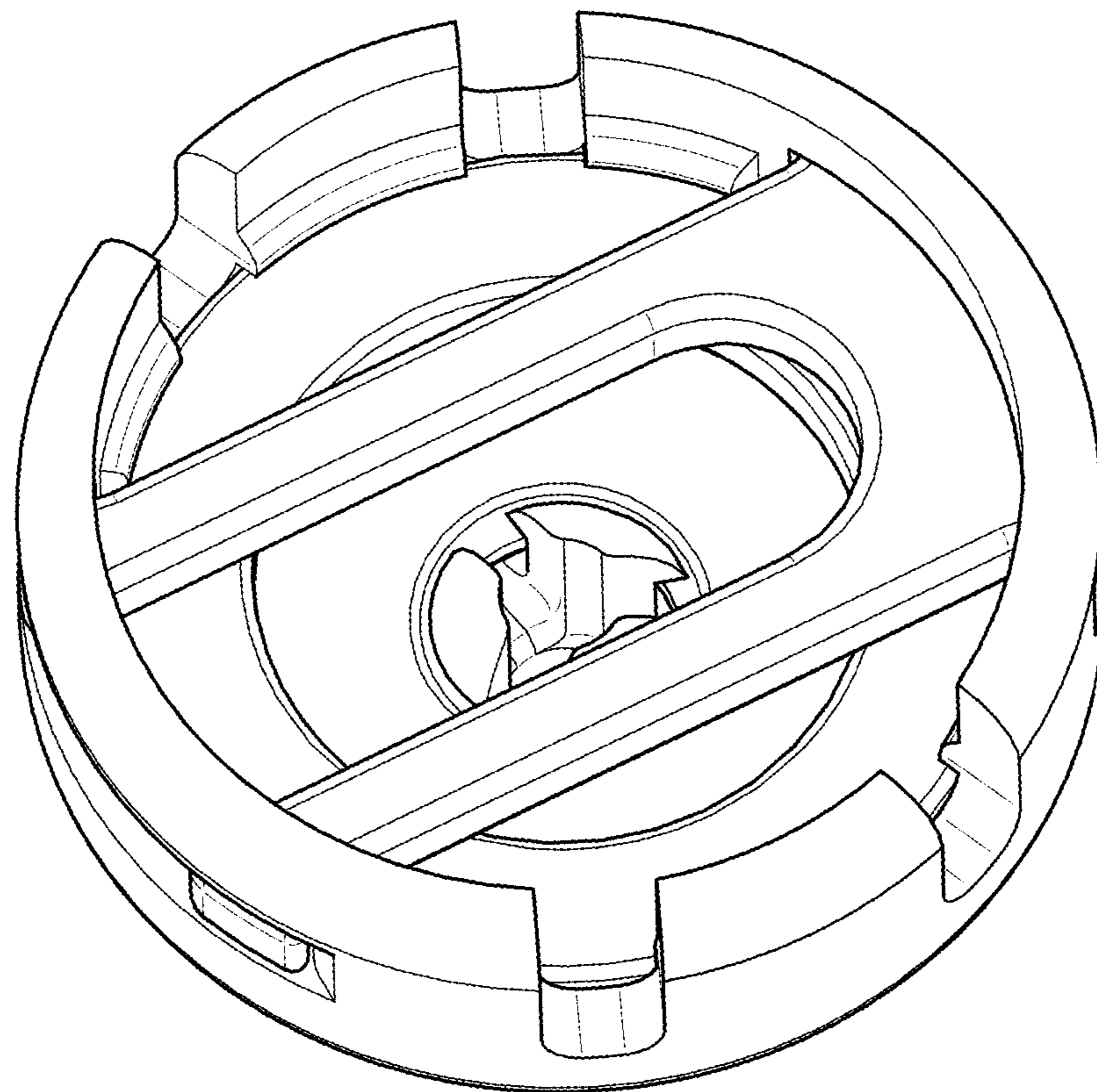


Fig. 8

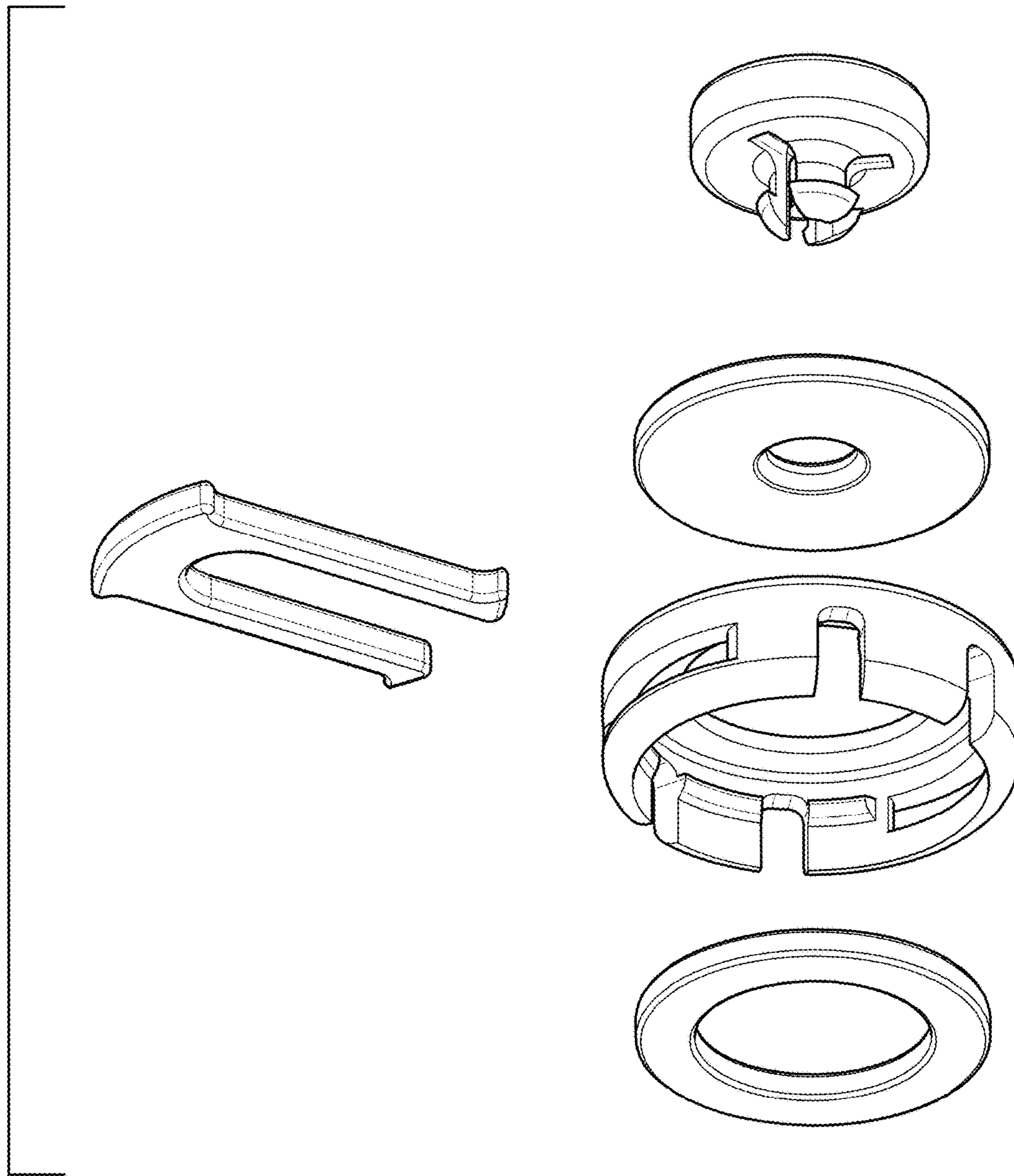


Fig. 9

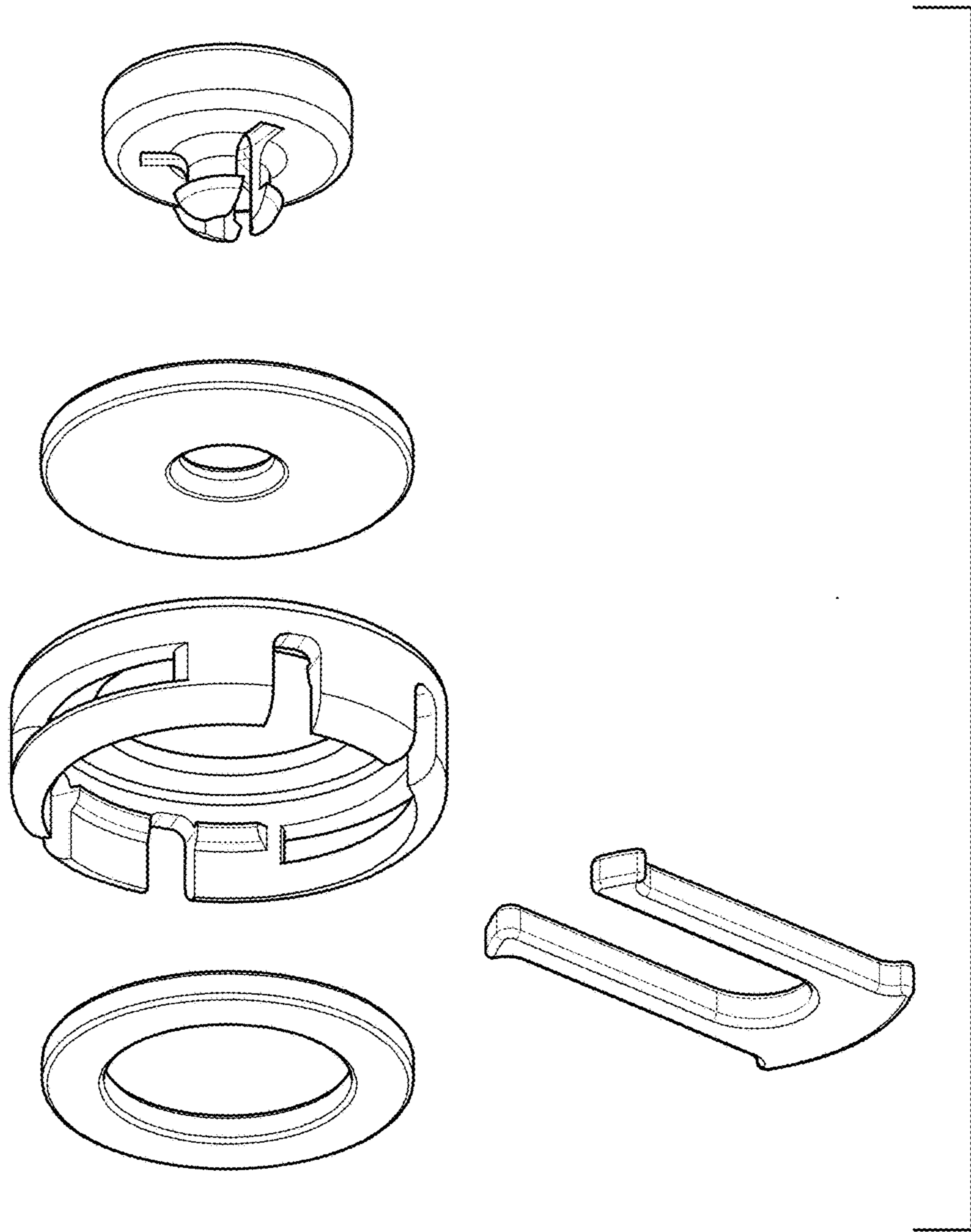


Fig. 10

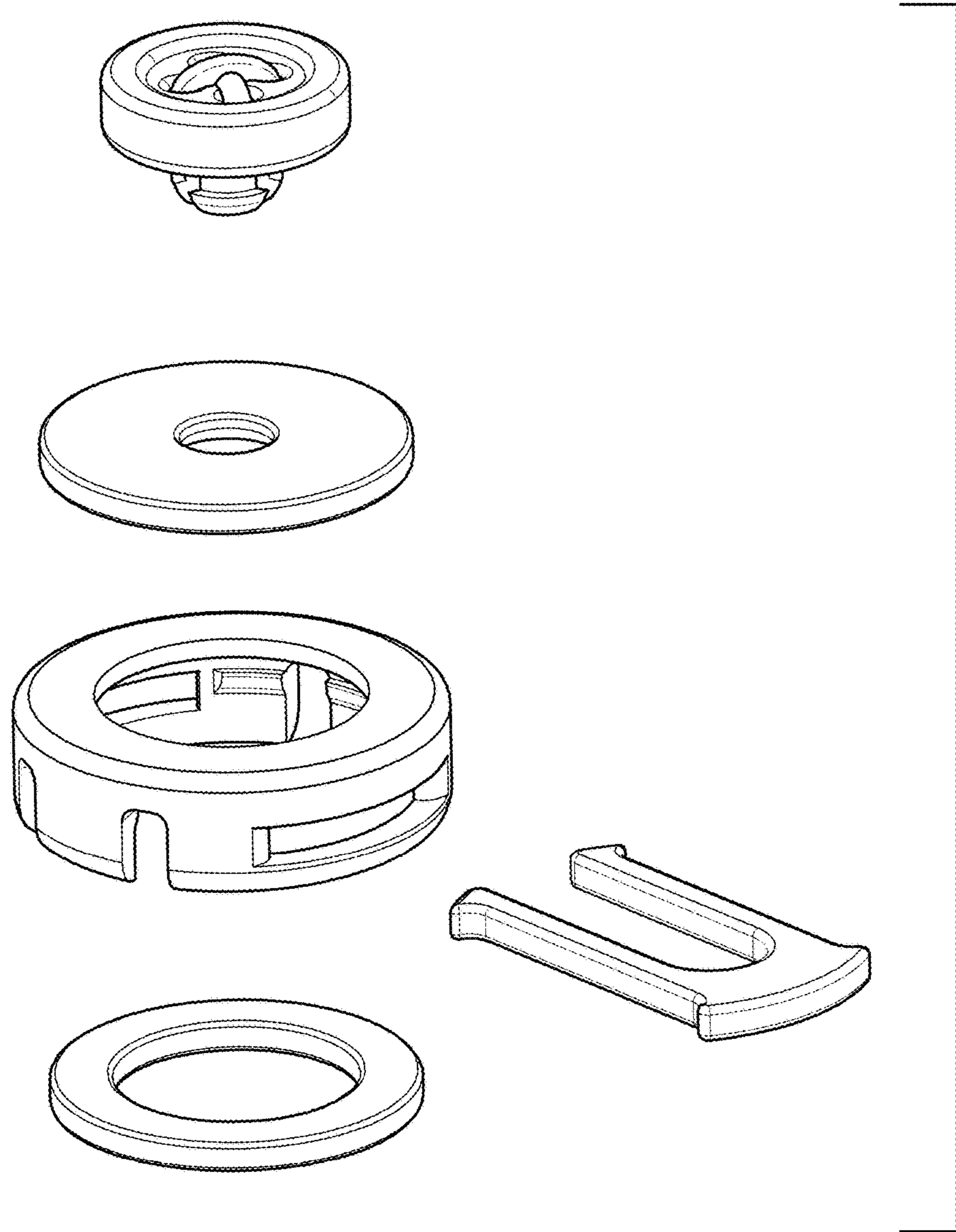


Fig. 11

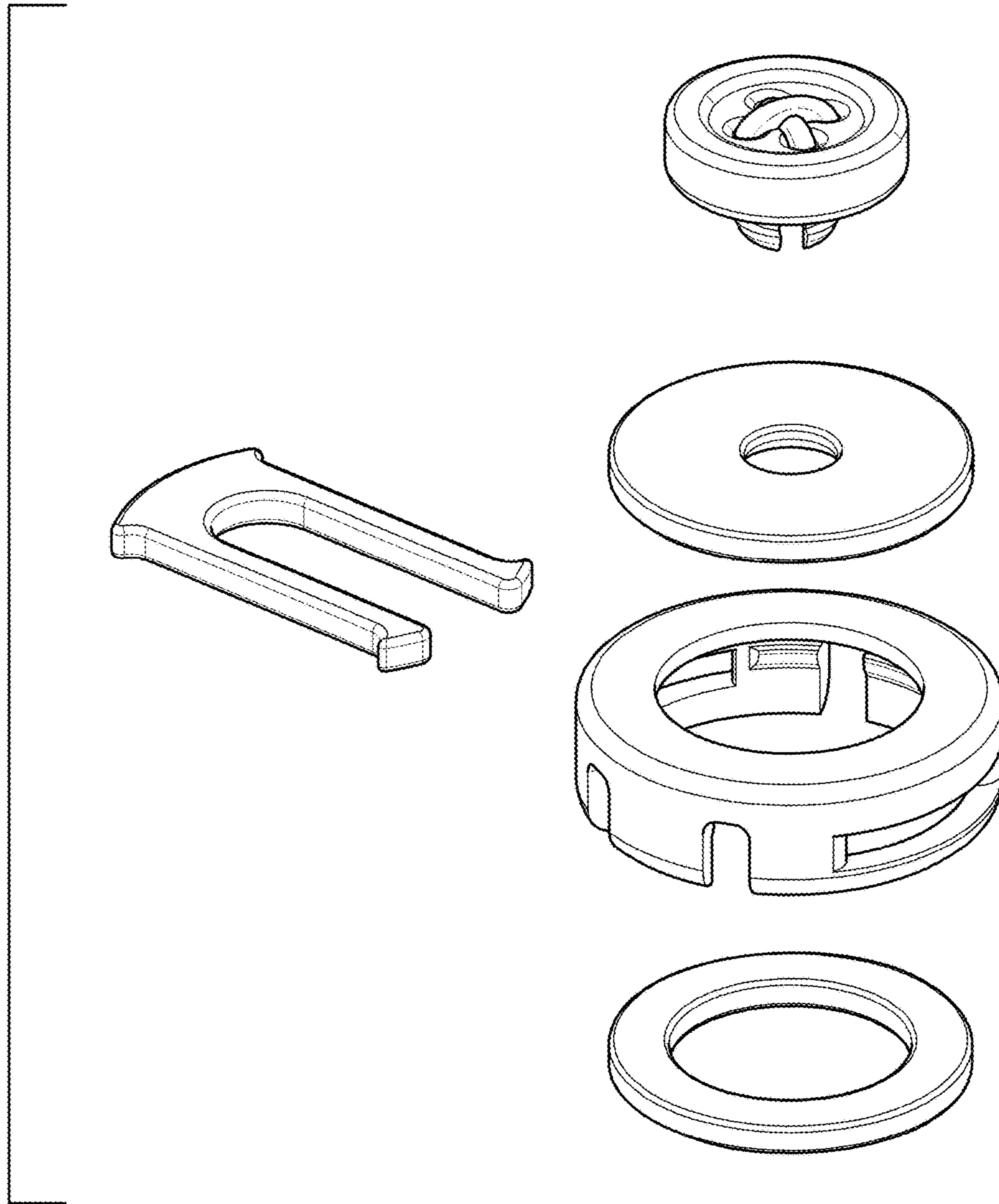


Fig. 12

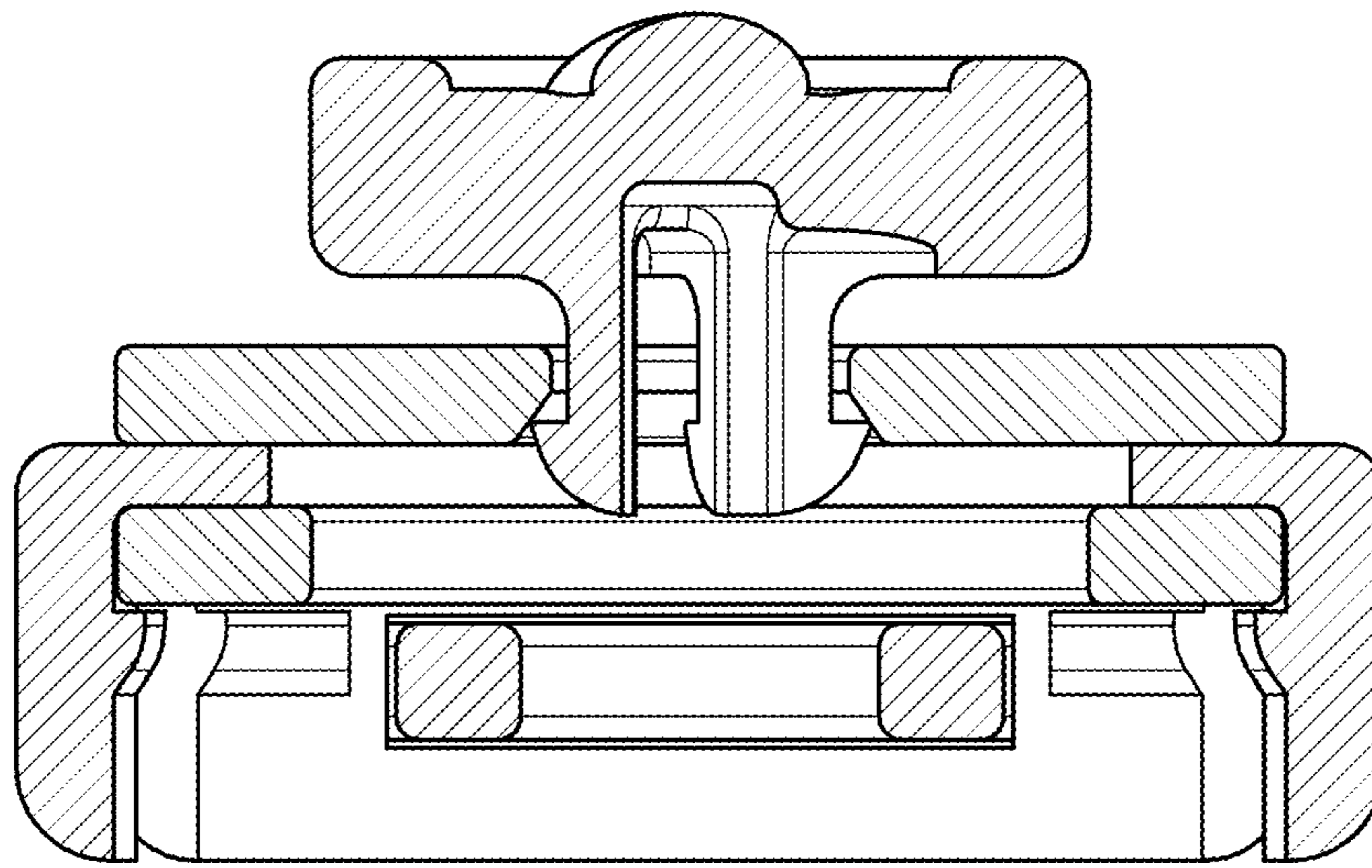


Fig. 13