



US00D793900S

(12) **United States Design Patent** (10) **Patent No.:** **US D793,900 S**
de los Rios-Urban (45) **Date of Patent:** **** Aug. 8, 2017**

(54) **HANGING SCULPTURE** D269,771 S * 7/1983 Williams D11/118
 4,396,652 A 8/1983 Koehler
 (71) Applicant: **Monique de los Rios-Urban**, Phoenix, D276,322 S * 11/1984 Maxwell D11/118
 AZ (US) D293,975 S * 2/1988 Baker D3/18
 4,746,022 A * 5/1988 Benham A47F 5/04
 211/195
 (72) Inventor: **Monique de los Rios-Urban**, Phoenix, 4,878,157 A * 10/1989 Koch A47G 33/06
 AZ (US) 362/123
 4,968,541 A * 11/1990 McCrory A47G 33/1246
 211/196
 (**) Term: **15 Years** D347,196 S * 5/1994 Boyd D10/45
 (21) Appl. No.: **29/557,834** (Continued)

(22) Filed: **Mar. 11, 2016**
 (51) **LOC (10) Cl.** **11-02**
 (52) **U.S. Cl.**
 USPC **D11/141; D11/157; D11/118**
 (58) **Field of Classification Search**
 USPC D11/117, 118, 121, 125, 130, 131, 132,
 D11/133, 139, 141, 157.164; D21/471;
 D26/135, 136, 142, 152; 446/117
 CPC A47G 33/06; A47G 33/1246
 See application file for complete search history.

(56) **References Cited**

U.S. PATENT DOCUMENTS

2,113,038 A * 4/1938 Thalinger A47G 33/06
 362/123
 D163,434 S * 5/1951 Willis D11/118
 D179,349 S * 12/1956 Johnson D11/118
 D186,229 S * 9/1959 Beaudoin D11/118
 D200,052 S * 1/1965 Haas et al. D11/118
 3,176,123 A * 3/1965 Blake A47G 33/06
 362/123
 3,674,612 A * 7/1972 Gehl, Jr. et al. F21S 4/10
 248/27.8
 3,692,617 A * 9/1972 Marks et al. A41G 1/00
 211/205
 D232,947 S * 9/1974 Christiansen, Jr. D11/118
 D250,519 S * 12/1978 Hashimoto D11/118
 4,145,731 A * 3/1979 Adamich B42D 15/022
 229/92.8
 D256,223 S * 8/1980 Byun D11/118

OTHER PUBLICATIONS

Modern Christmas Tree (via amazon), available Oct. 9, 2014,
 [online], [site visited Apr. 23, 2017]. Available from internet, <URL:
<https://www.amazon.com/Modern-Christmas-Tree-Hanging-Artificial/dp/B00NLIE8BA?th=1>.*

(Continued)

Primary Examiner — Cathron Brooks
Assistant Examiner — Teddy Falloway
 (74) *Attorney, Agent, or Firm* — Lewis Roca Rothgerber
 Christie LLP

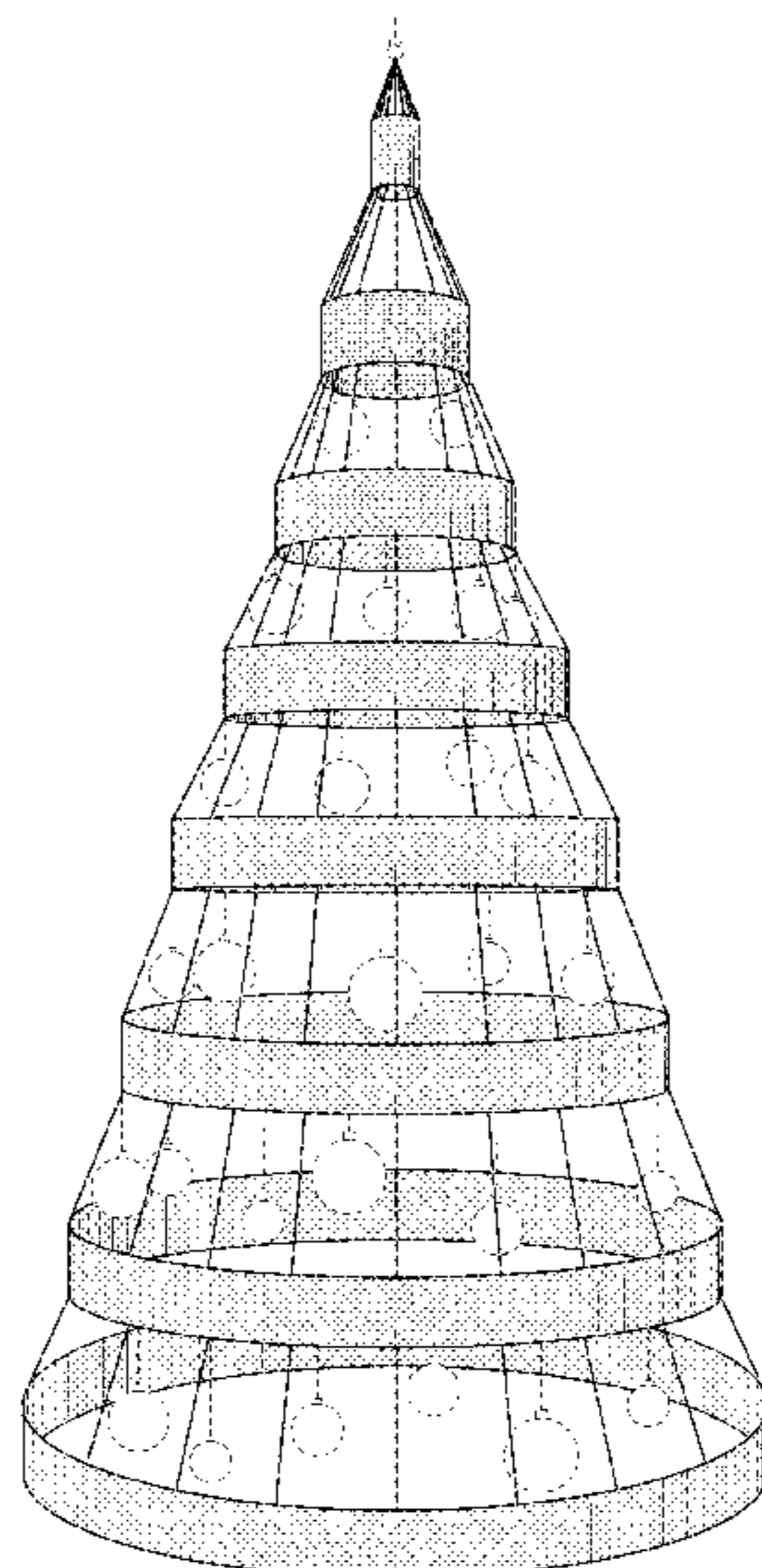
(57) **CLAIM**

The ornamental design for a hanging sculpture, as shown and described.

DESCRIPTION

FIG. 1 is a perspective view of a hanging sculpture;
 FIG. 2 is a top view thereof;
 FIG. 3 is a bottom view thereof;
 FIG. 4 is a side view thereof, the opposite side being a mirror
 image; and,
 FIG. 5 is a zoomed view of a region of FIG. 4.
 The broken lines shown in the Figures illustrate portions of
 the hanging sculpture that form no part of the claimed
 design.

1 Claim, 3 Drawing Sheets



(56)

References Cited

U.S. PATENT DOCUMENTS

5,336,536 A 8/1994 Oberzan
 D374,097 S * 9/1996 Aiken D26/25
 D384,174 S * 9/1997 Smith D11/118
 D386,115 S * 11/1997 Vanschaik D11/152
 D408,319 S * 4/1999 Byers D11/118
 D415,583 S * 10/1999 Byers D11/121
 5,975,317 A * 11/1999 Roebing A47F 5/108
 211/196
 6,048,590 A * 4/2000 Phillips A47G 33/06
 211/196
 6,132,063 A * 10/2000 Byers A47G 33/06
 362/238
 6,139,168 A * 10/2000 Gary A47G 33/06
 362/122
 D442,115 S * 5/2001 Tsang D11/118
 D477,244 S 7/2003 Stegmaier
 D478,021 S 8/2003 Duncan, Jr. et al.
 D506,700 S * 6/2005 Cowan D11/118
 7,163,725 B2 1/2007 Johnson et al.
 7,445,823 B2 * 11/2008 Tennison A47G 33/06
 362/123
 7,490,950 B1 * 2/2009 Meyers A47G 33/06
 362/123
 D612,286 S 3/2010 Palmer et al.
 D614,002 S * 4/2010 Heap D7/610
 D616,577 S * 5/2010 Gierveld D11/117
 7,914,168 B2 * 3/2011 Oliva A41G 1/002
 248/157

D638,742 S * 5/2011 Purcell D11/118
 D664,215 S * 7/2012 Clahsen D21/484
 D668,174 S 10/2012 Bliss
 D700,988 S * 3/2014 Koho D26/118
 D722,524 S 2/2015 Bliss
 D760,116 S * 6/2016 Zhao D11/130
 D765,183 S * 8/2016 Lowery D21/336
 D774,597 S * 12/2016 Lowery D21/336
 D775,997 S * 1/2017 Sebastampillai D11/118
 2002/0141203 A1 * 10/2002 Shieh A47G 33/06
 362/568
 2005/0048226 A1 3/2005 Gary et al.
 2008/0038490 A1 * 2/2008 Tennison A47G 33/06
 428/18
 2008/0165525 A1 * 7/2008 Chang F21S 4/20
 362/123
 2014/0339185 A1 * 11/2014 Ellison A47F 5/04
 211/119.003

OTHER PUBLICATIONS

Christmas Craft Activity-How to Make a Flying Christmas Tree, available Apr. 23, 2011, [online], [site visited Apr. 23, 2017]. Available from internet, <URL: <http://www.instructables.com/id/Christmas-Craft-Activity-How-to-Make-a-Flying-Ch/>>.*
 Embroidery Hoop Christmas Tree, available Dec. 10, 2013, [online], [site visited Apr. 23, 2017]. Available from internet, <URL: <http://www.sharonjohnsonphotography.com/hanging-christmas-tree/>>.*

* cited by examiner

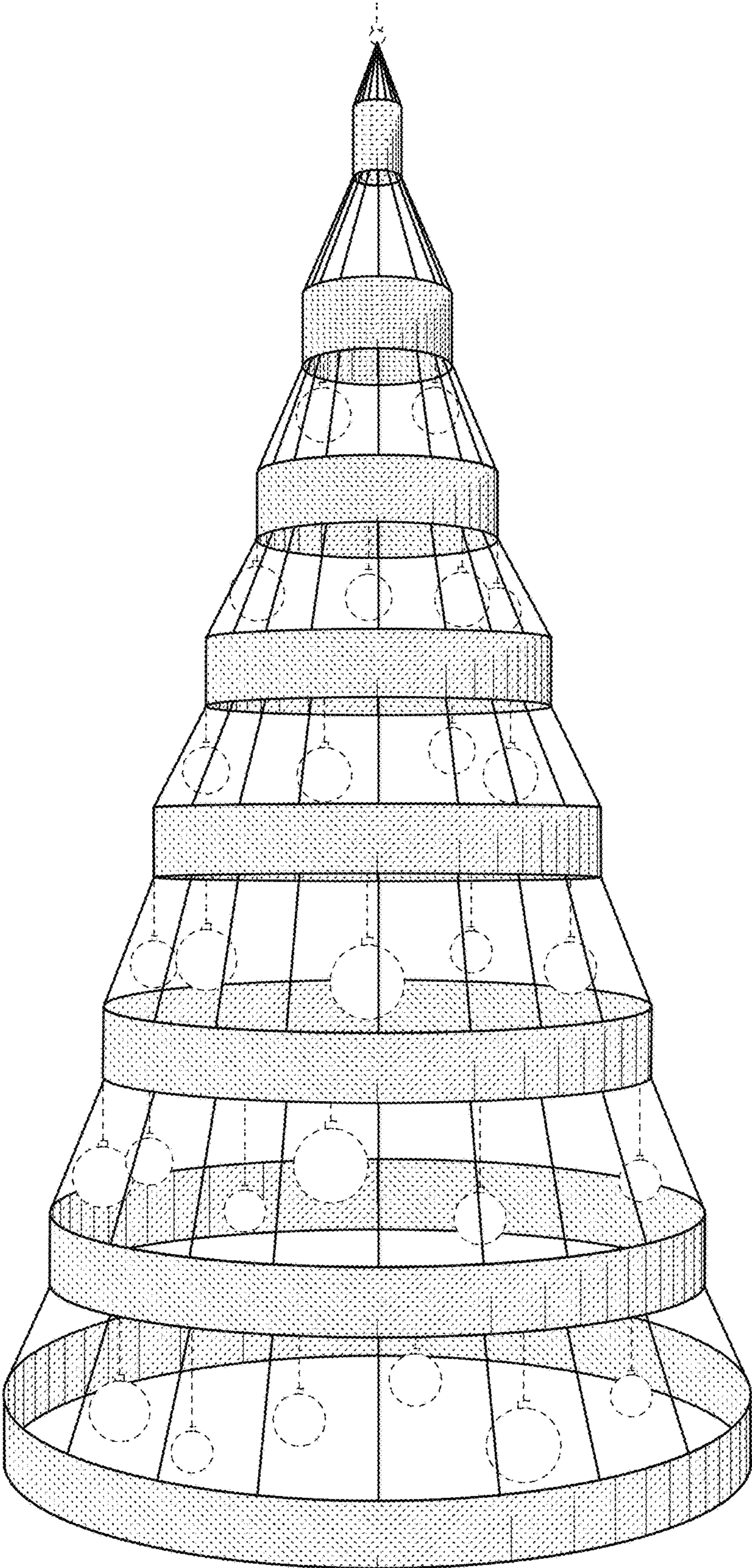


FIG. 1

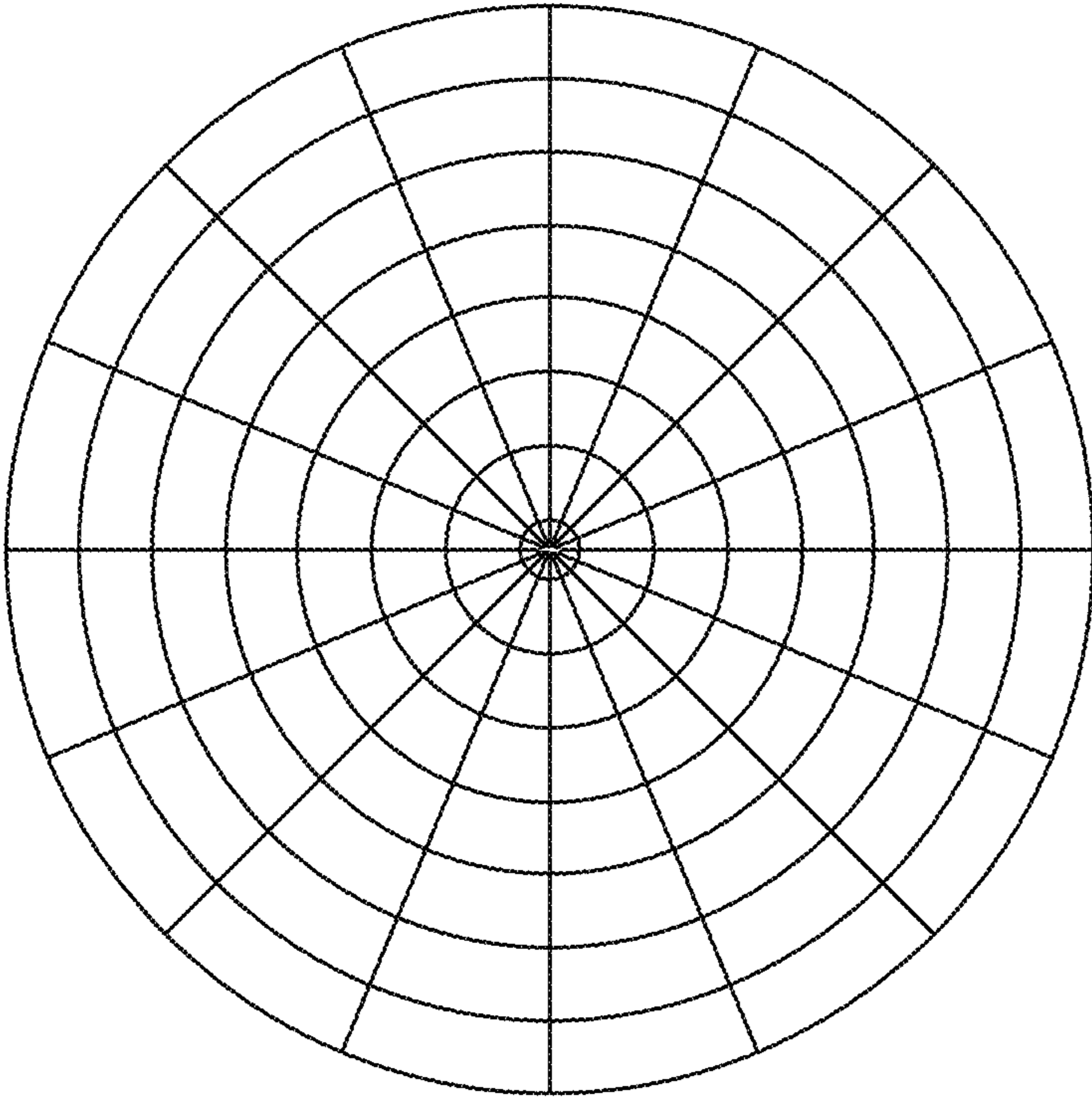


FIG. 2

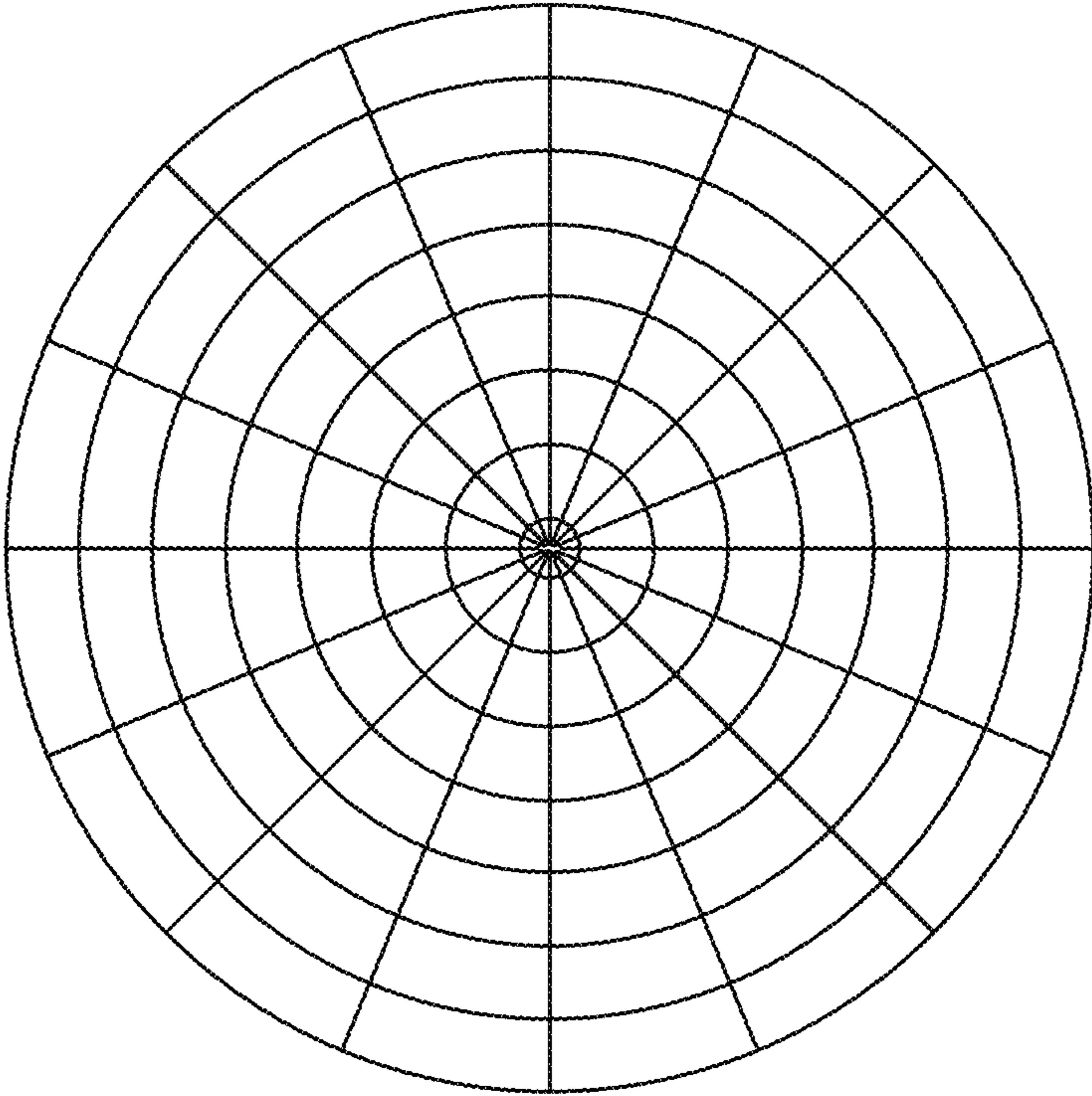


FIG. 3

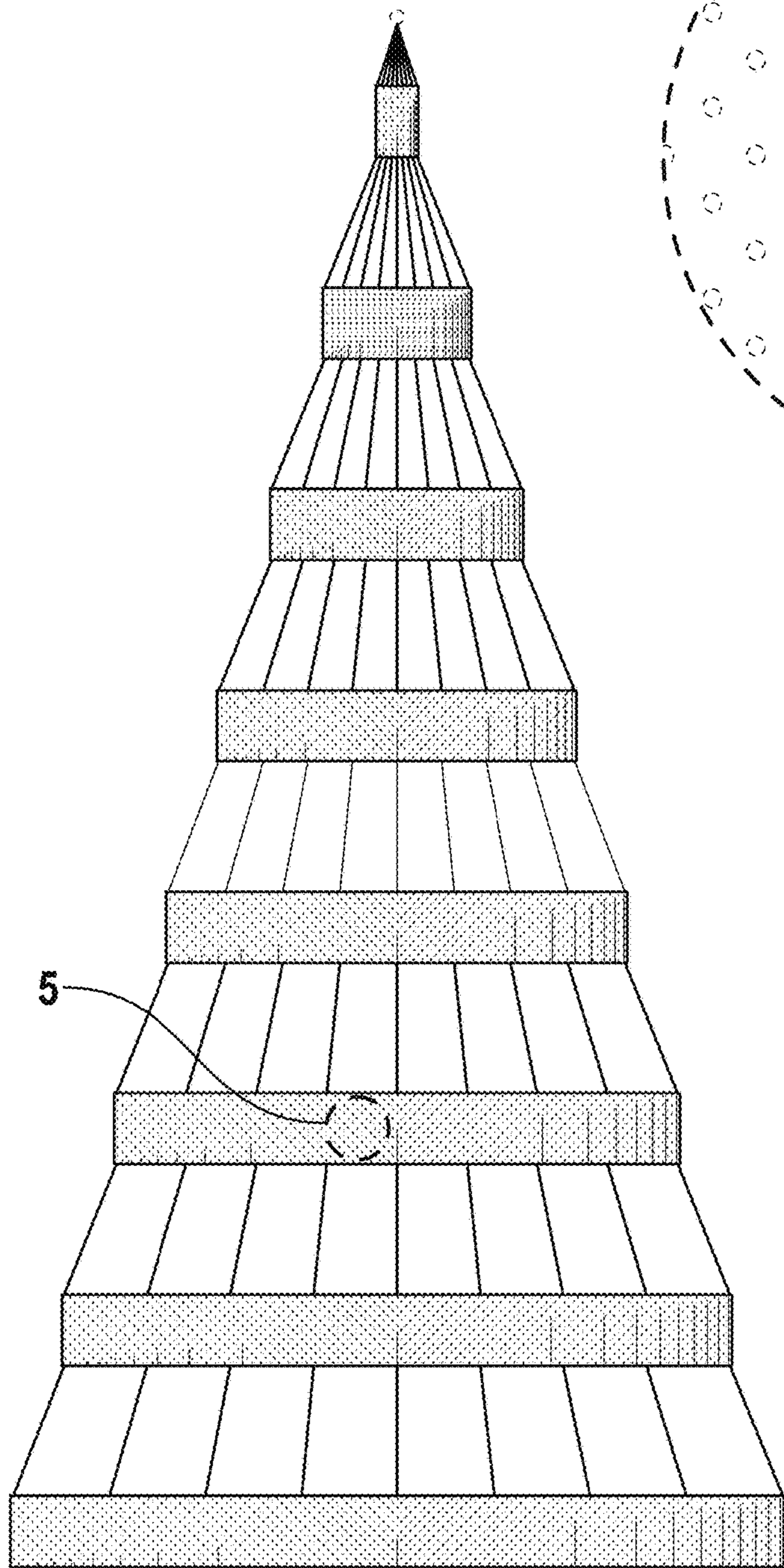


FIG. 4

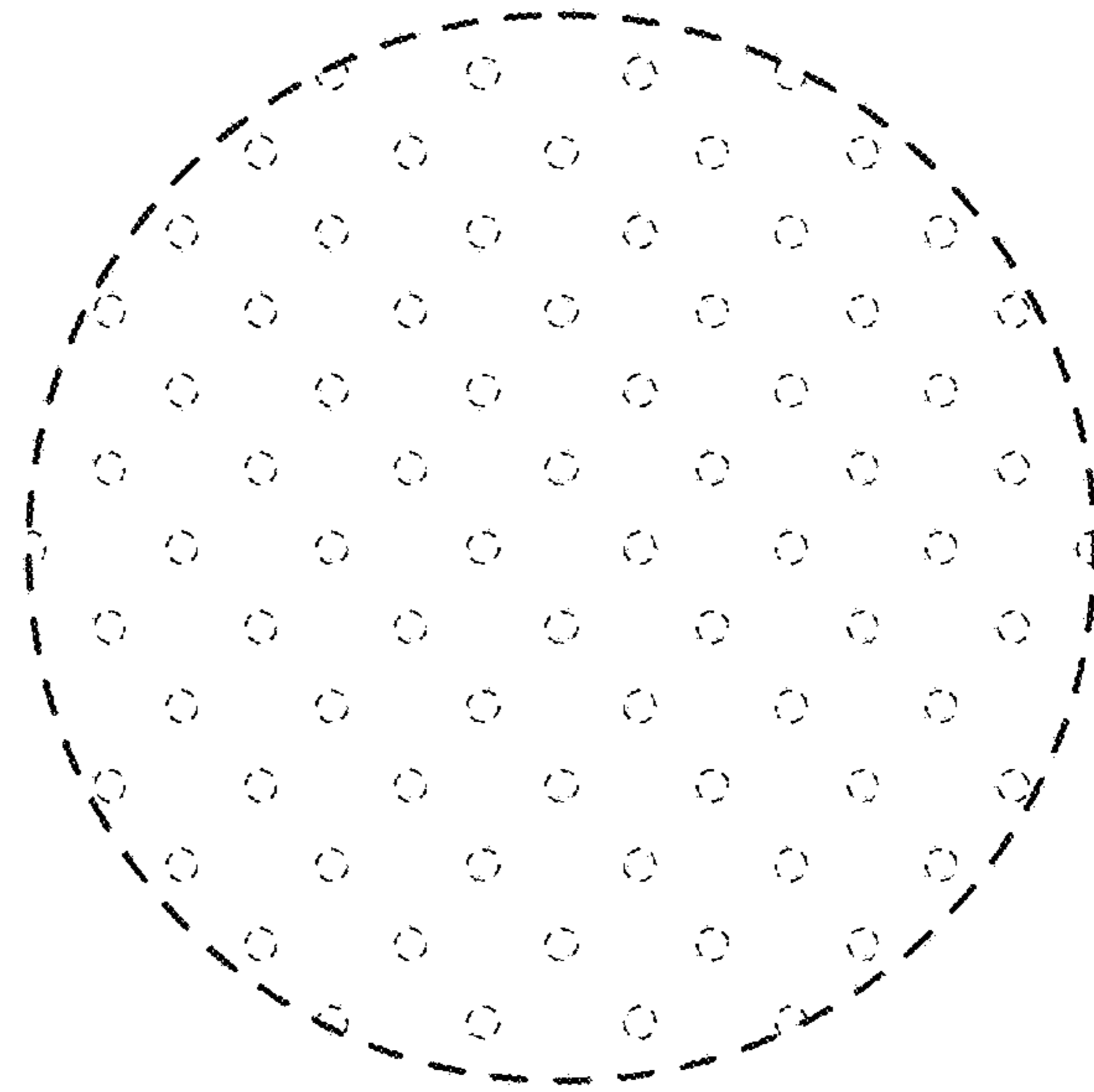


FIG. 5