



US00D793899S

(12) **United States Design Patent**
Tilbrook

(10) **Patent No.:** **US D793,899 S**

(45) **Date of Patent:** **** Aug. 8, 2017**

- (54) **GEMSTONE**
- (71) Applicant: **ASCHERBROOK LIMITED**,
Twickenham (GB)
- (72) Inventor: **Gary Tilbrook**, Twickenham (GB)
- (73) Assignee: **Ascherbrook Limited**, Twickenham
(GB)
- (**) Term: **15 Years**
- (21) Appl. No.: **35/500,812**
- (22) Filed: **Oct. 13, 2015**
- (80) **Hague Agreement Data**
Int. Filing Date: **Oct. 13, 2015**
Int. Reg. No.: **DM/088312**
Int. Reg. Date: **Oct. 13, 2015**
Int. Reg. Pub. Date: **Apr. 15, 2016**

- 6,363,745 B1 * 4/2002 Greeff A44C 17/001
63/32
- D469,379 S * 1/2003 Siebenberg D11/90
- 6,578,380 B1 * 6/2003 Pluchenik A44C 17/001
63/32
- D481,327 S * 10/2003 Ho D11/90
- D493,382 S * 7/2004 Sanghvi D11/90
- D500,961 S * 1/2005 Krochmal D11/90
- D506,411 S * 6/2005 Krochmal D11/90
- D511,992 S * 11/2005 Amiel D11/90
- D513,393 S * 1/2006 Voorn D11/90
- D515,968 S * 2/2006 Torgeman D11/90
- D524,687 S * 7/2006 Moller D11/90
- D525,902 S * 8/2006 Dholakiya D11/90
- D536,635 S * 2/2007 Torgeman D11/90
- D550,115 S * 9/2007 Pandya D11/90
- D550,116 S * 9/2007 Torgeman D11/90
- D551,590 S * 9/2007 Winkler D11/90
- D556,623 S * 12/2007 Torgeman D11/90
- D565,993 S * 4/2008 Voorn D11/90
- D567,138 S * 4/2008 Rydlewicz D11/90
- D685,671 S * 7/2013 Akbari D11/90
- D719,478 S * 12/2014 Shah D11/90
- D741,214 S * 10/2015 Mezhibovsky D11/90

(Continued)

- (51) **LOC (10) Cl.** **11-01**
- (52) **U.S. Cl.**
USPC **D11/90**
- (58) **Field of Classification Search**
USPC D11/89, 90
CPC A44C 17/00; A44C 17/001; A44C 17/002;
A44C 17/003; A44C 17/005; A44C
17/006; A44C 17/007; A44C 17/008
See application file for complete search history.

Primary Examiner — Elizabeth Albert
(74) *Attorney, Agent, or Firm* — Young Basile Hanlon &
MacFarlane, P.C.

(57) **CLAIM**

The ornamental design for a gemstone, as shown and described.

DESCRIPTION

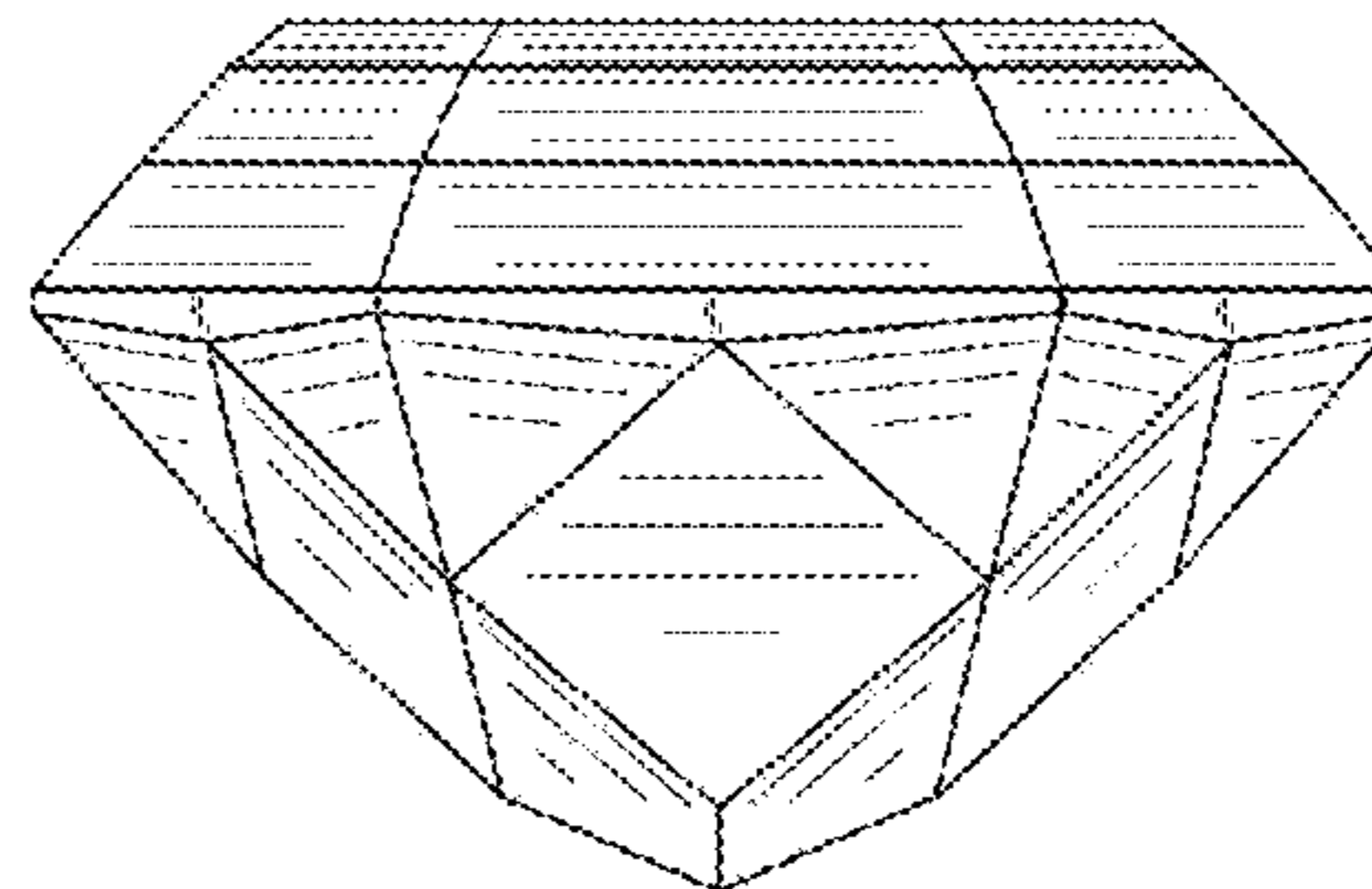
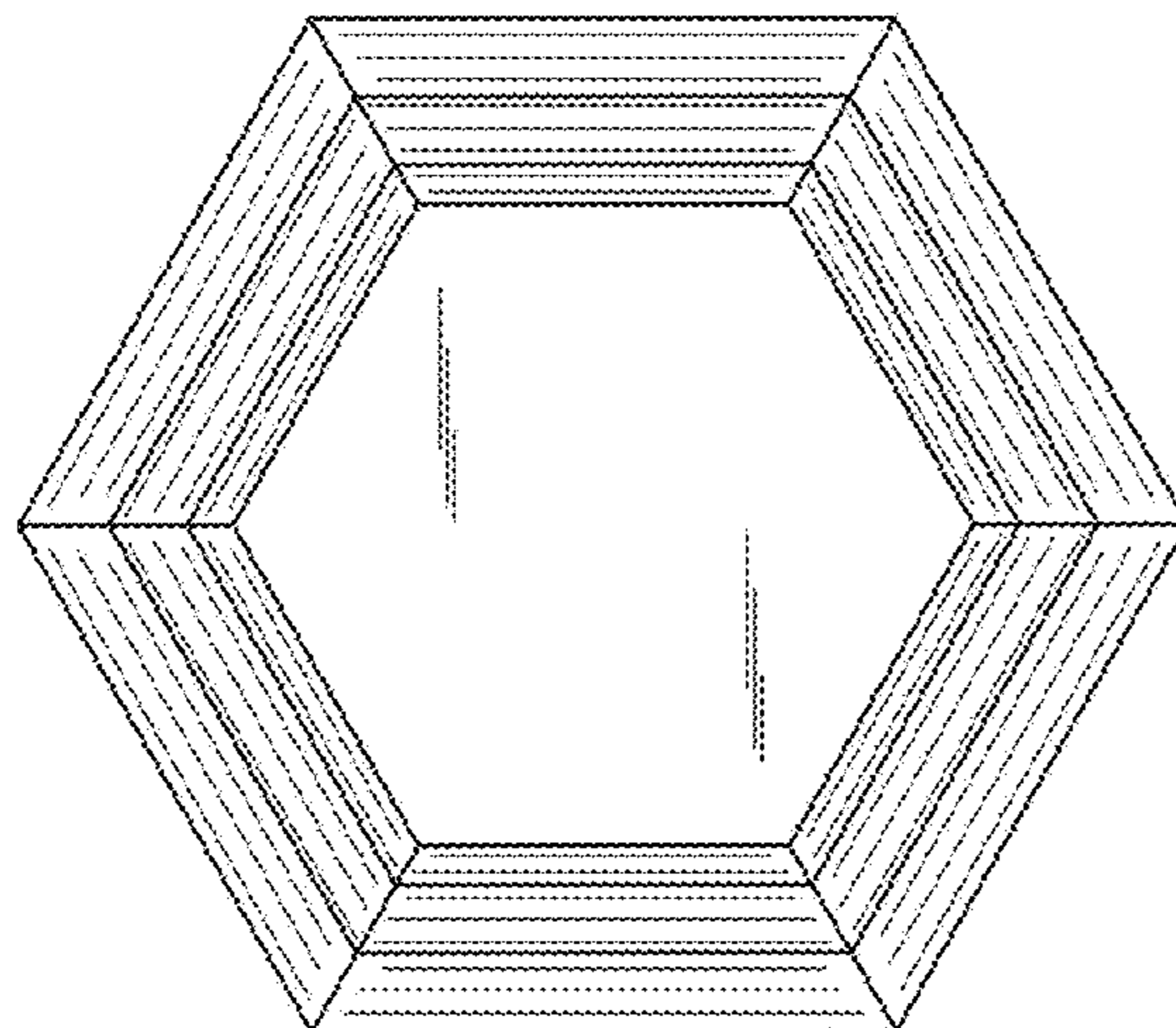
- 1. Gemstone
- 1.1 : Perspective
- 1.2 : Top
- 1.3 : Bottom
- 1.4 : Front
- 1.5 : Left

The lines shown on each face of the gemstone are surface shading, to show the contours of the article only.

1 Claim, 5 Drawing Sheets

(56) **References Cited**
U.S. PATENT DOCUMENTS

- D250,640 S * 12/1978 Grossbard D11/90
- D411,133 S * 6/1999 Alvarado D11/90
- D415,712 S * 10/1999 Tolkowsky D11/90
- 5,970,744 A * 10/1999 Greeff A44C 17/001
63/32
- D442,114 S * 5/2001 Greeff D11/90
- D453,007 S * 1/2002 Asscher A44C 17/001
D11/90



(56)

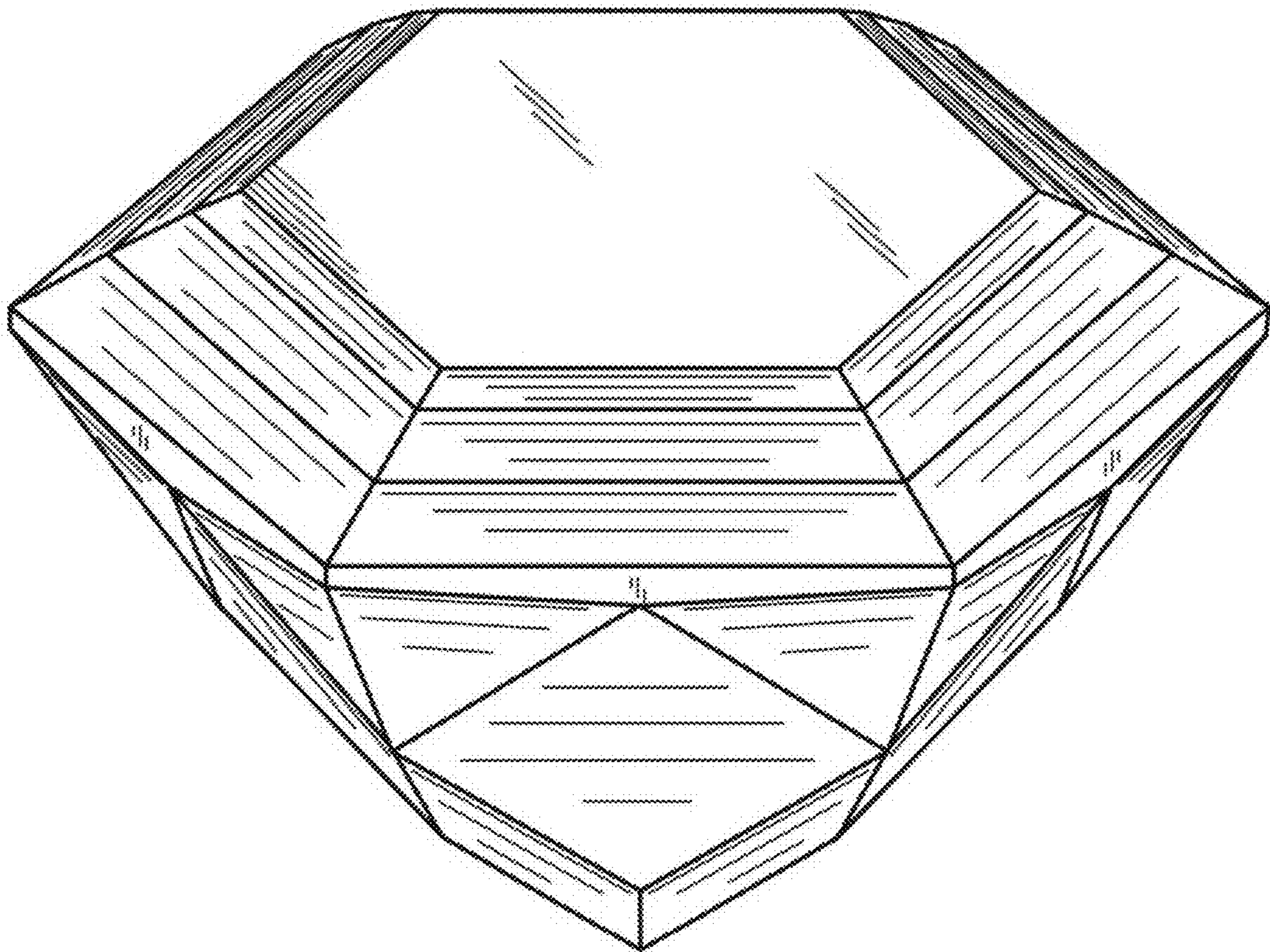
References Cited

U.S. PATENT DOCUMENTS

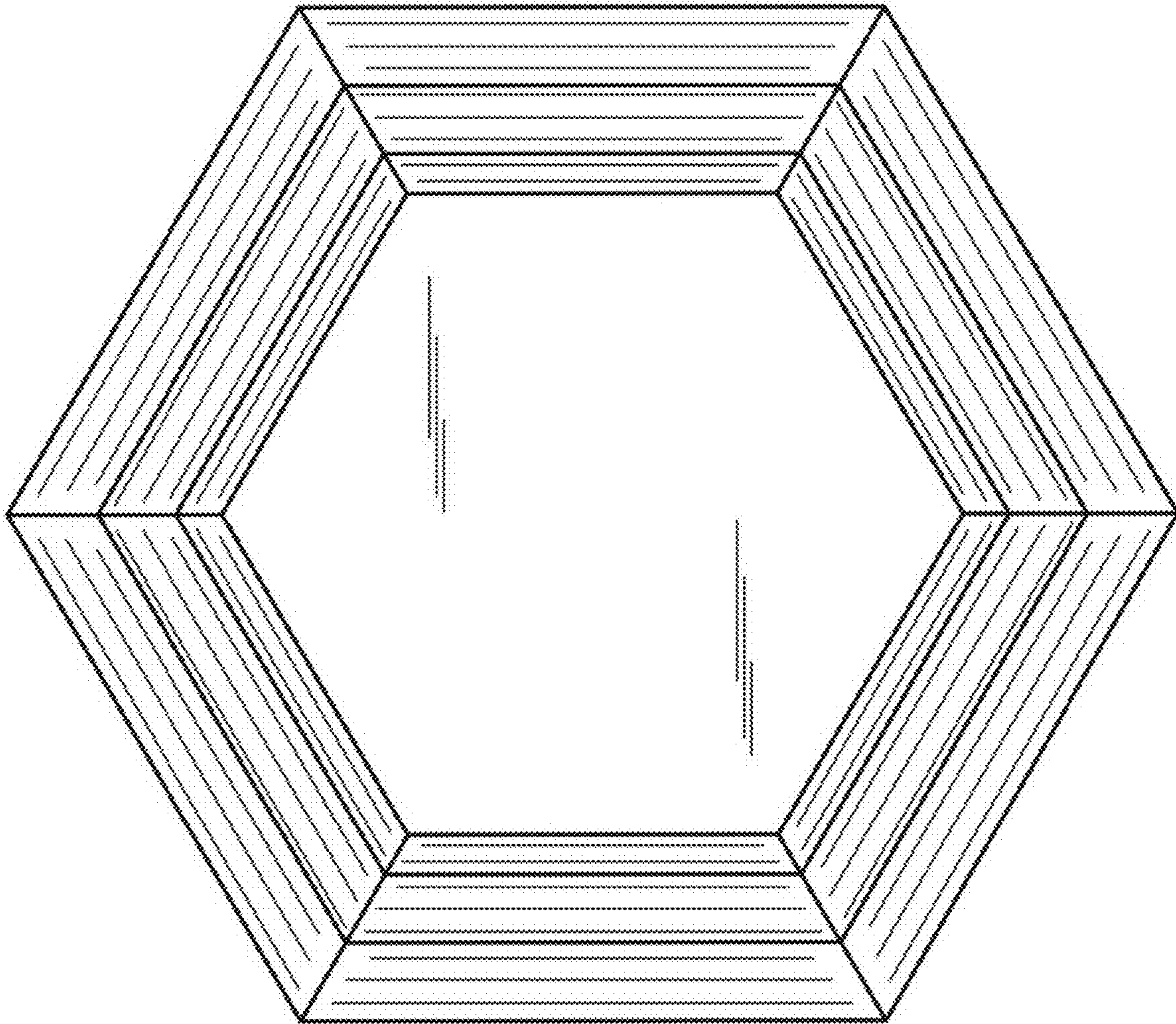
D743,834 S * 11/2015 Sayed D11/90
D763,722 S * 8/2016 Berdan D11/90
D767,442 S * 9/2016 Berdan D11/90
9,486,043 B2 * 11/2016 Rydlewicz A44C 17/001

* cited by examiner

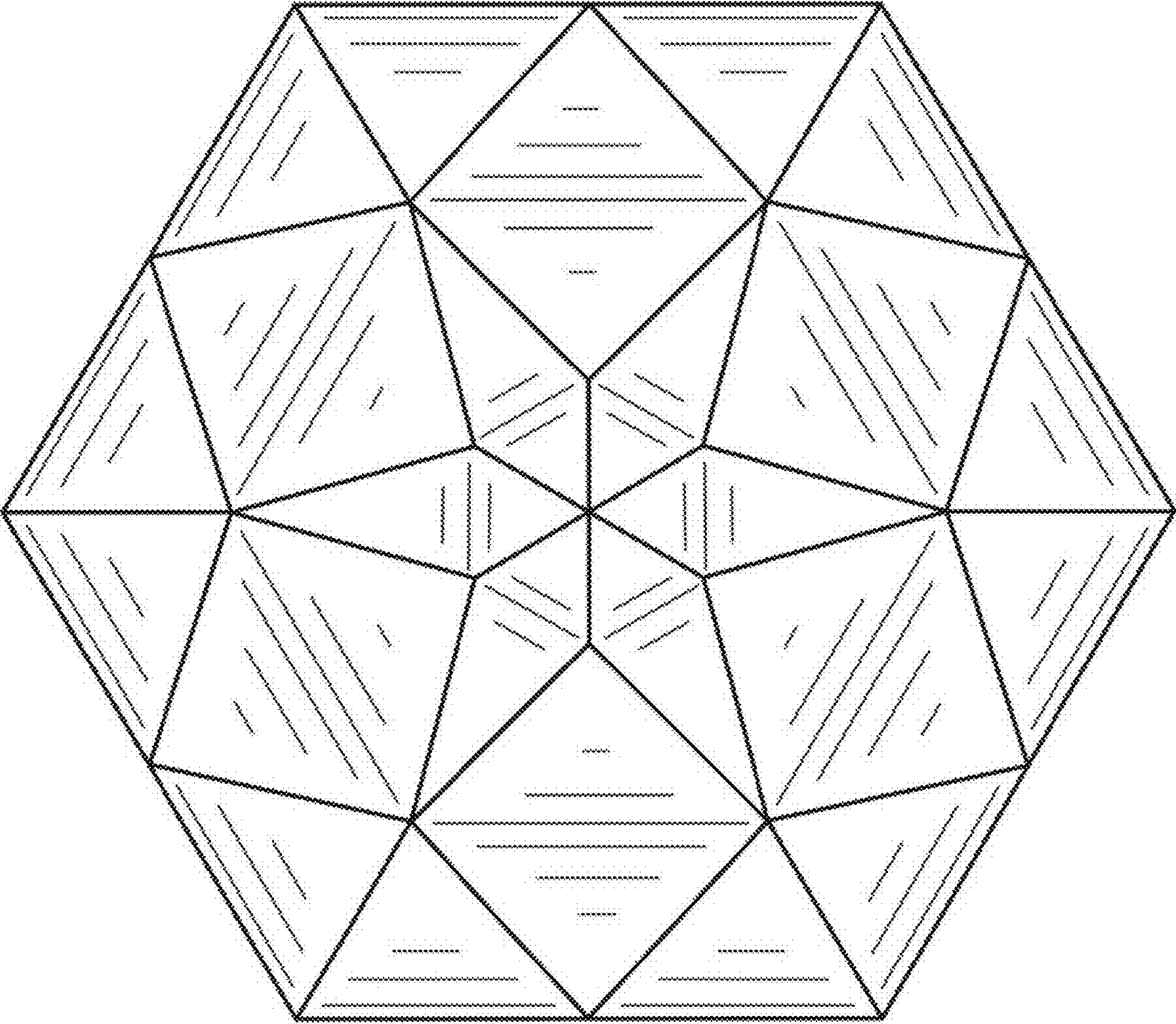
1.1



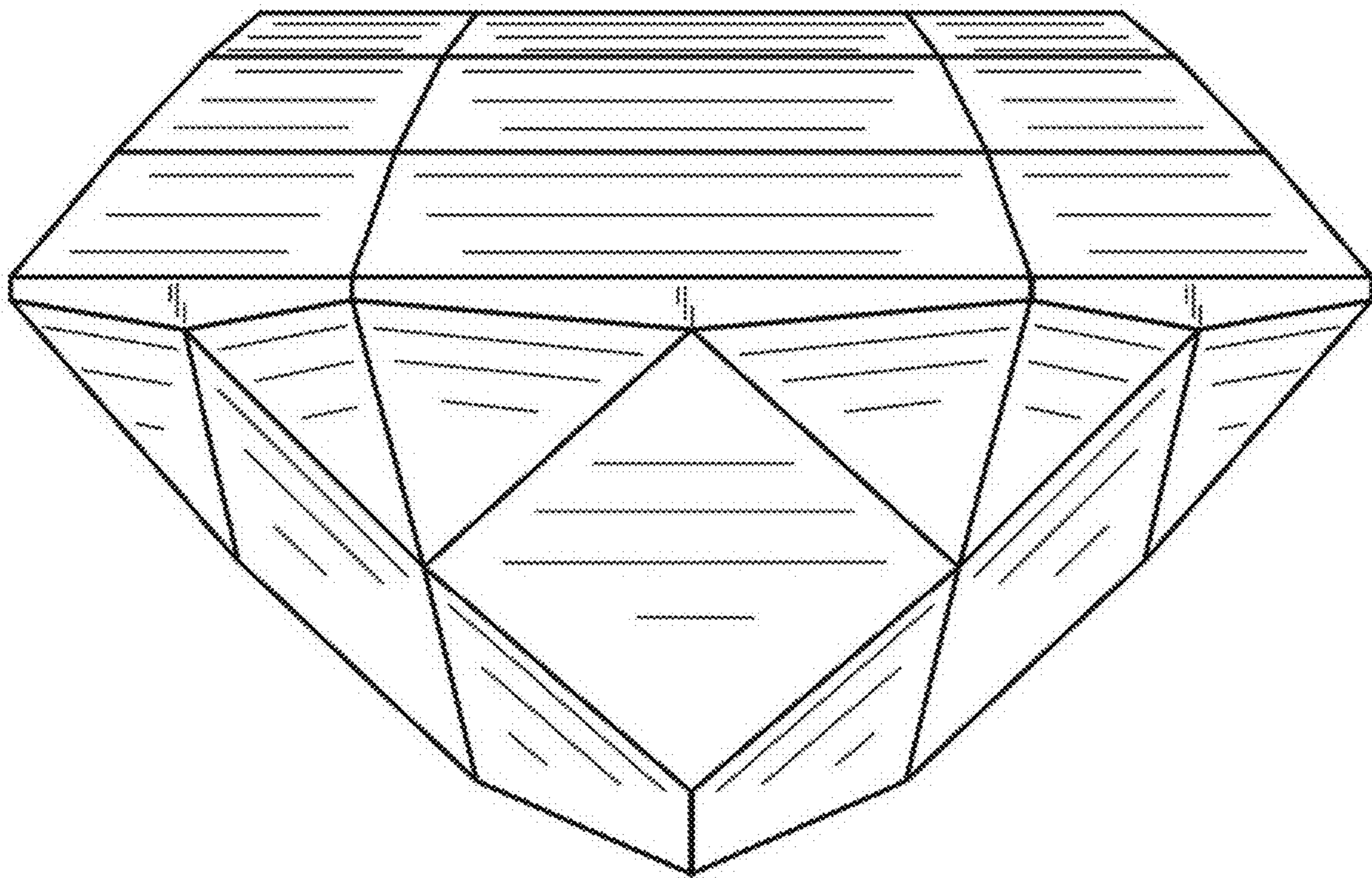
1.2



1.3



1.4



1.5

