



US00D793897S

(12) **United States Design Patent** (10) **Patent No.:** **US D793,897 S**
Yesnick et al. (45) **Date of Patent:** **** Aug. 8, 2017**

- (54) **POKER RING WITH SUIT SHAPED PICK**
- (71) Applicant: **Charles Yesnick**, Rolling Hills Estates, CA (US)
- (72) Inventors: **Charles Yesnick**, Rolling Hills Estates, CA (US); **Sheldon Holland**, Acton, CA (US)
- (73) Assignee: **Charles Yesnick**, Rolling Hills Estate, CA (US)
- (**) Term: **15 Years**
- (21) Appl. No.: **29/546,365**
- (22) Filed: **Nov. 20, 2015**
- (51) **LOC (10) Cl.** **11-01**
- (52) **U.S. Cl.**
USPC **D11/30**
- (58) **Field of Classification Search**
USPC D11/3-5, 26-43, 45, 79, 89-92; D7/633;
D8/354, 356, 397, 399; D6/546, 595,
D6/615, 616, 633
CPC .. A44C 5/00; A44C 7/00; A44C 7/002; A44C
7/004; A44C 9/00; A44C 9/0007; A44C
9/0015; A44C 9/0023; A44C 9/003; A44C
9/0038; A44C 9/0046; A44C 9/0053;
A44C 9/0061; A44C 9/0069; A44C
9/0076; A44C 15/001; A44C 17/02; A44C
17/0208; A44C 17/0216; A44C 17/0225;
A44C 17/0233; A44C 17/0241; A44C
17/025; A44C 17/0258
See application file for complete search history.

(56) **References Cited**
U.S. PATENT DOCUMENTS

- D39,037 S * 1/1908 Mitchell D11/5
- D51,069 S * 7/1917 Jacobs D11/28

- D68,195 S * 9/1925 De Soria D11/5
- D100,555 S * 7/1936 Goldman D11/32
- D115,439 S * 6/1939 Beaupre D11/5
- D119,192 S * 2/1940 Welling D10/32
- 2,221,234 A * 11/1940 Frasier G10D 3/163
84/322
- D146,980 S * 6/1947 Mucci D11/5
- D190,753 S * 6/1961 Brauchi D11/5
- D291,809 S * 9/1987 Jasper 84/322
- 4,899,557 A * 2/1990 Schwartz A44C 15/008
63/15
- 5,084,108 A * 1/1992 Kretchmer A44C 9/00
148/557
- D454,314 S * 3/2002 Stewart D11/27
- D524,680 S * 7/2006 Kwan D11/30
- D567,111 S * 4/2008 Pardoux D10/31
- D602,809 S * 10/2009 Castaline D11/103
- D657,705 S * 4/2012 Guerrero, II D11/26
- 9,089,191 B1 * 7/2015 Farnum A44C 9/0061

* cited by examiner

Primary Examiner — Michael A. Pratt
Assistant Examiner — Wendy Arminio
(74) *Attorney, Agent, or Firm* — Fulwider Patton LLPc

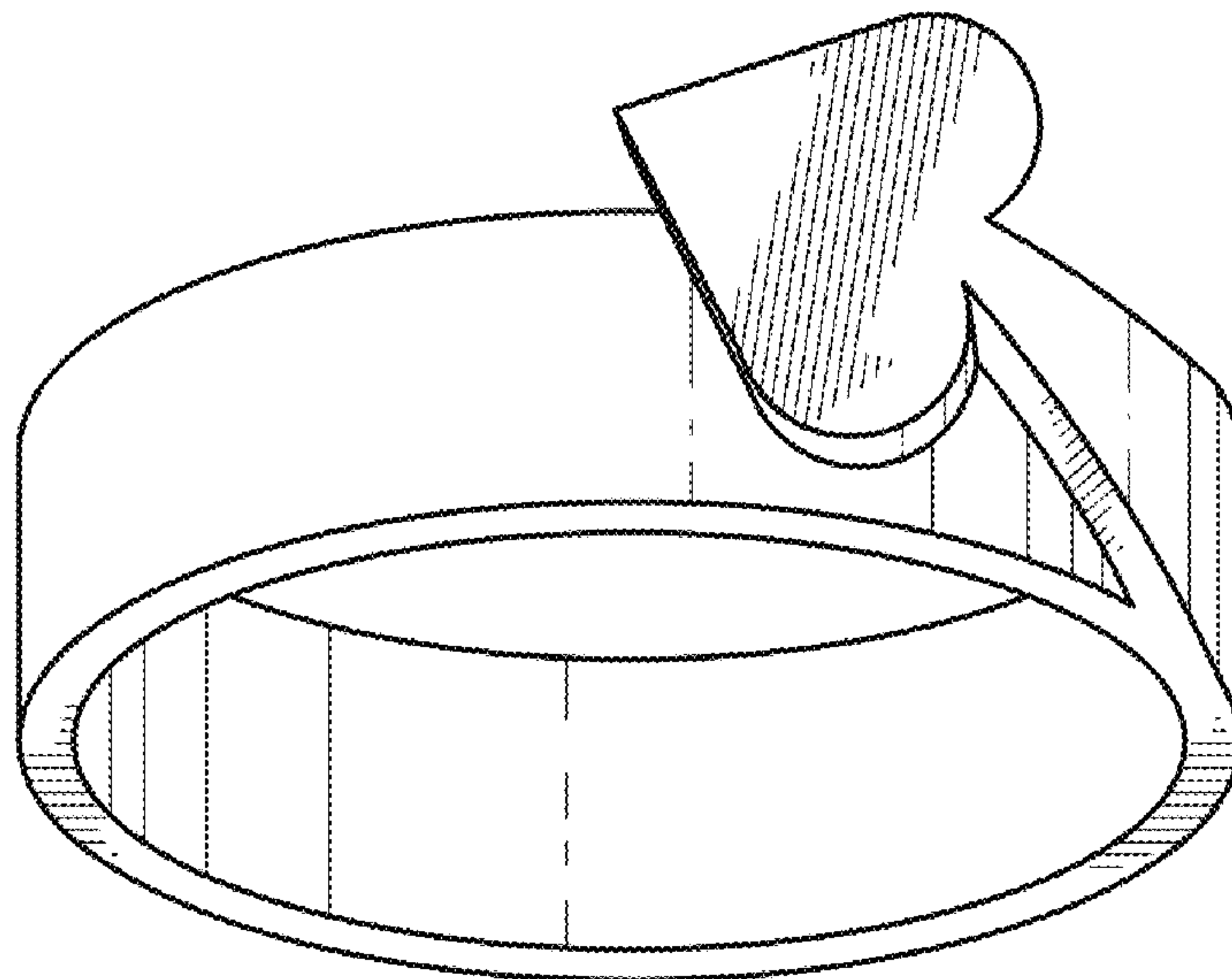
(57) **CLAIM**

The ornamental design for a poker ring with suit shaped pick, as shown and described.

DESCRIPTION

FIG. 1 is an elevated perspective view of a poker ring with suit shaped pick;
FIG. 2 is a top view thereof;
FIG. 3 is a bottom view thereof;
FIG. 4 is a left side view thereof;
FIG. 5 is a right side view thereof;
FIG. 6 is a rear view thereof; and,
FIG. 7 is a front view thereof.

1 Claim, 3 Drawing Sheets



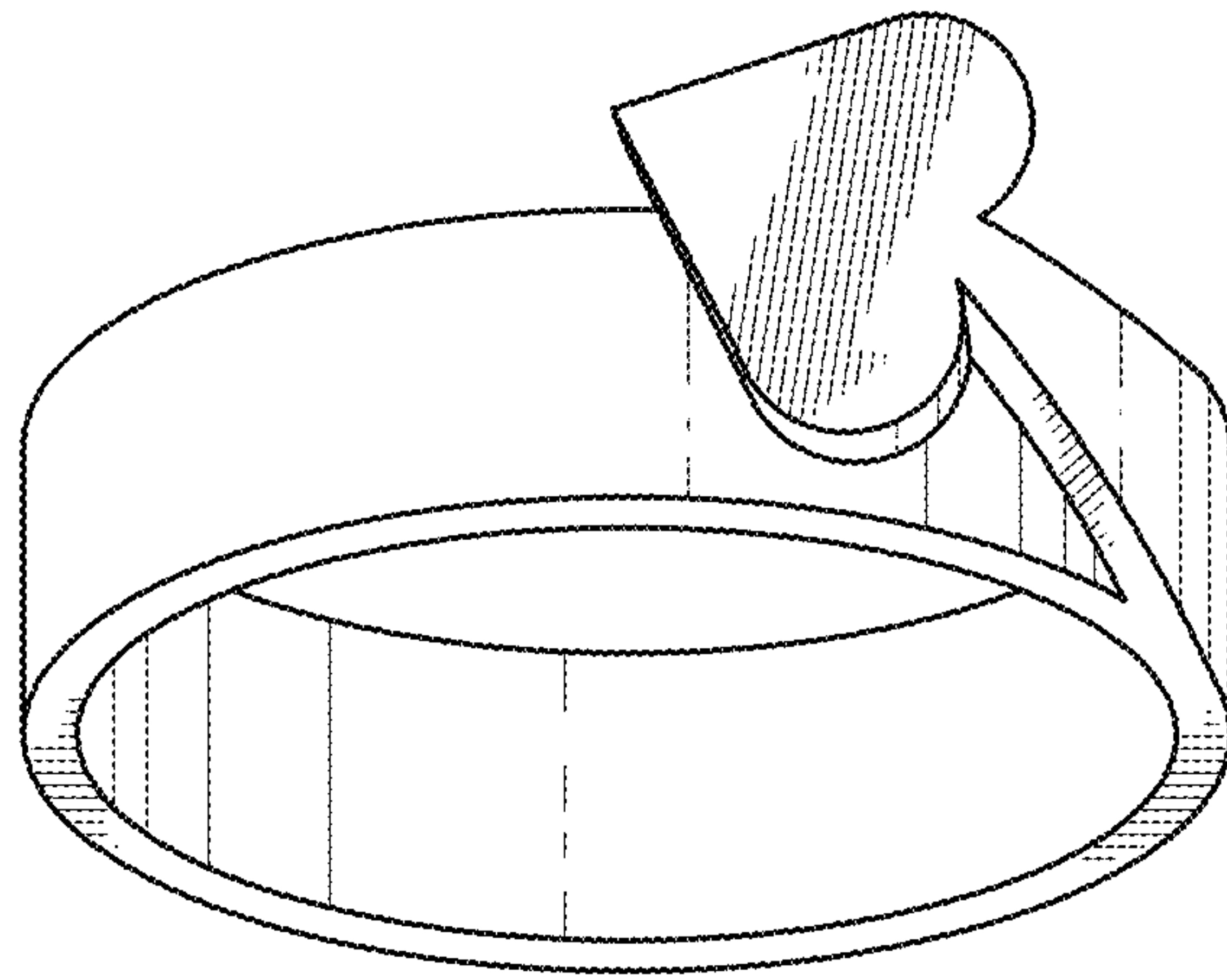


FIG. 1

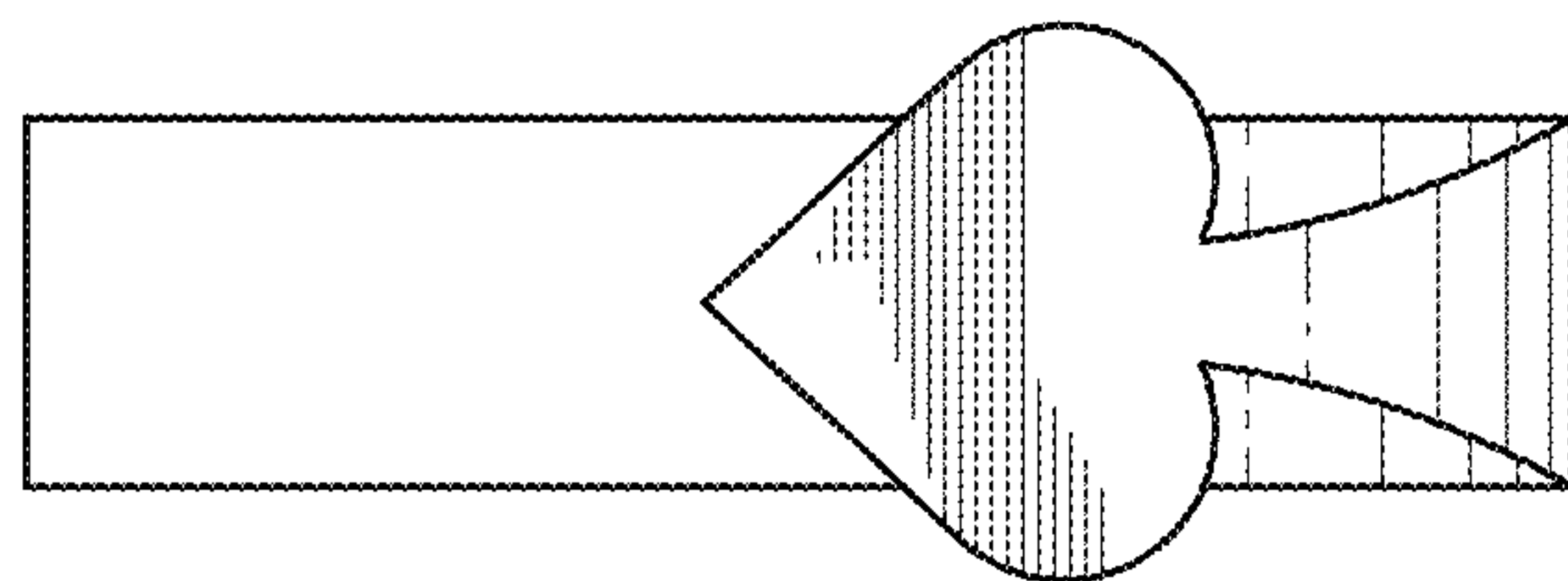


FIG. 2

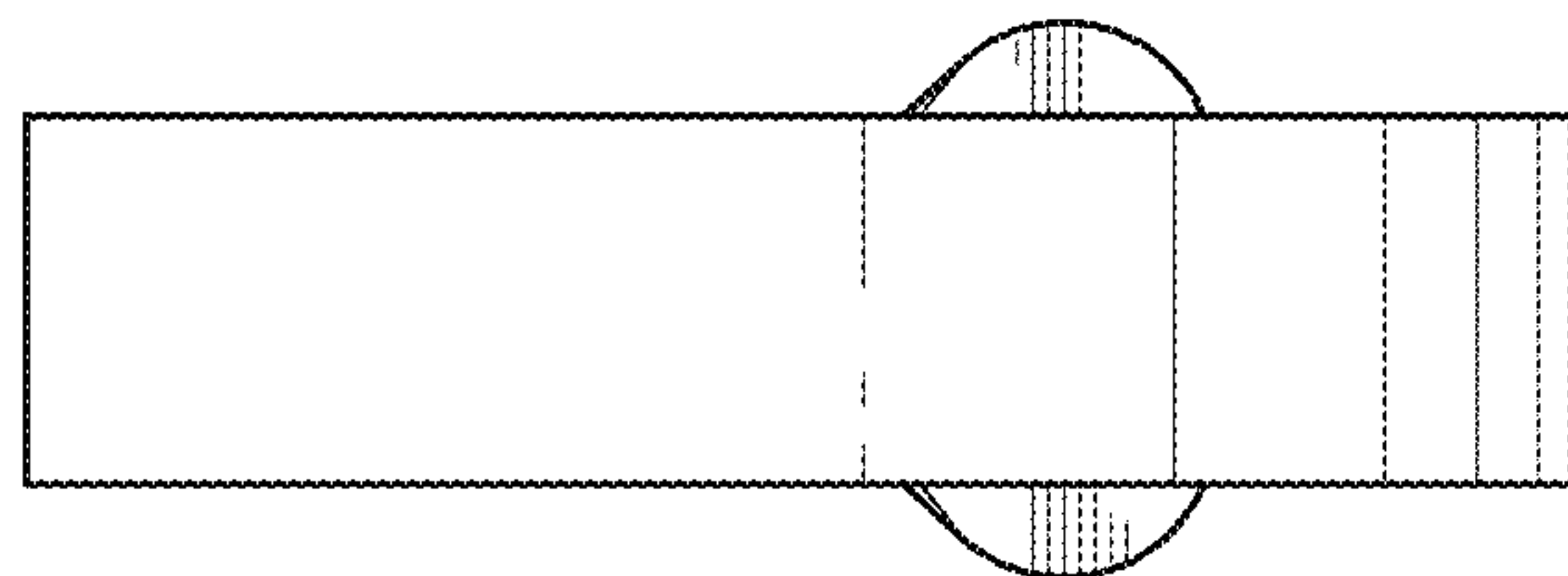


FIG. 3

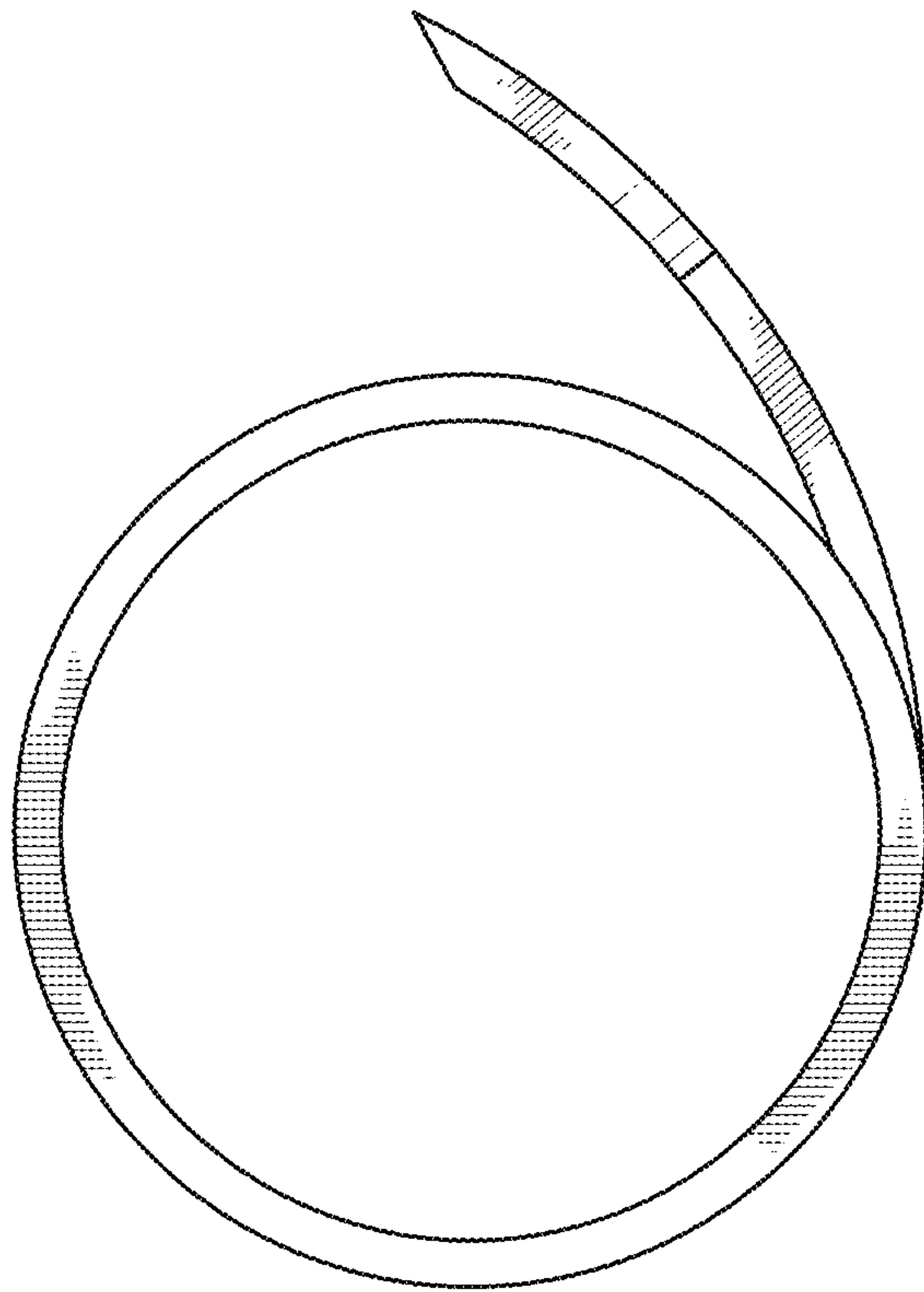


FIG. 4

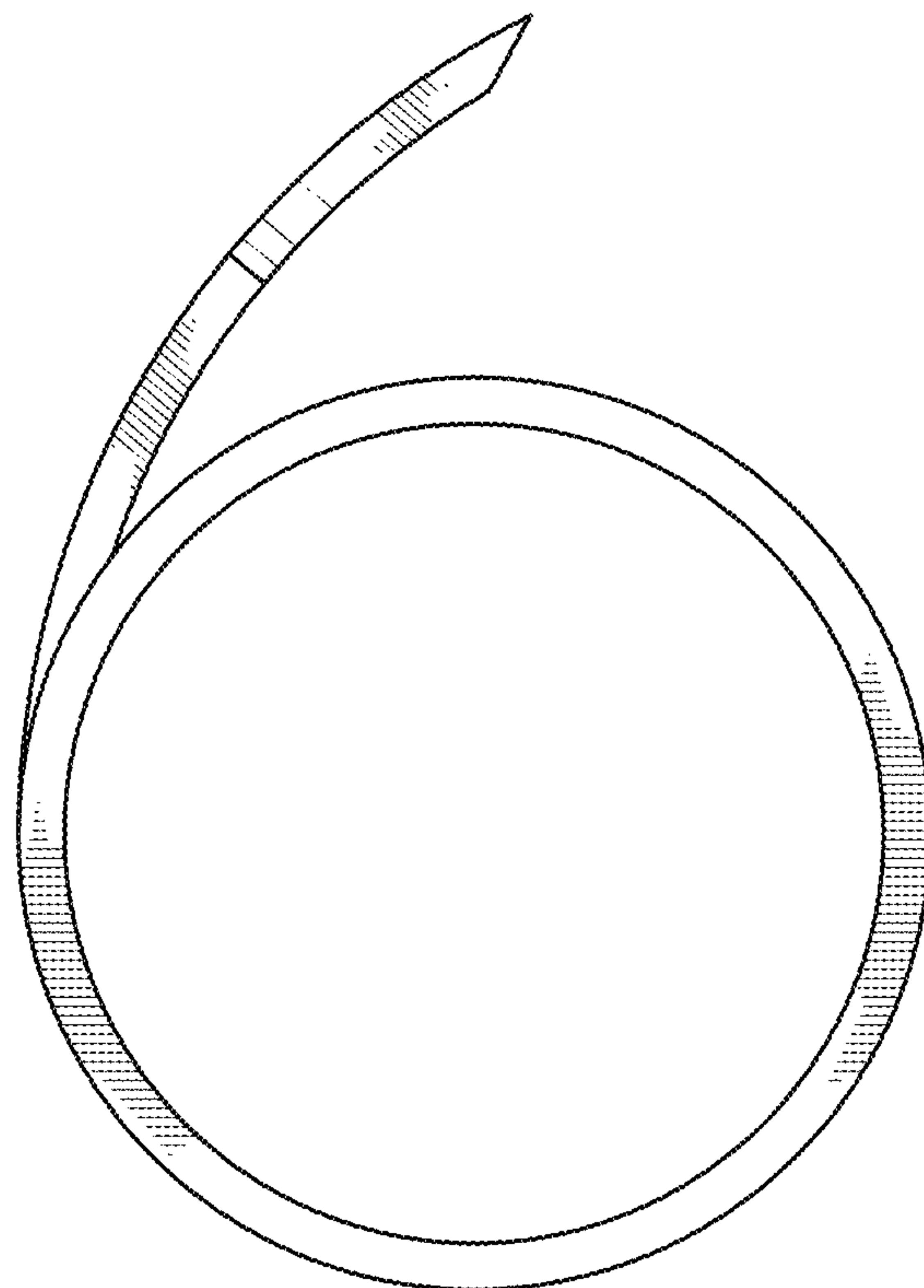


FIG. 5

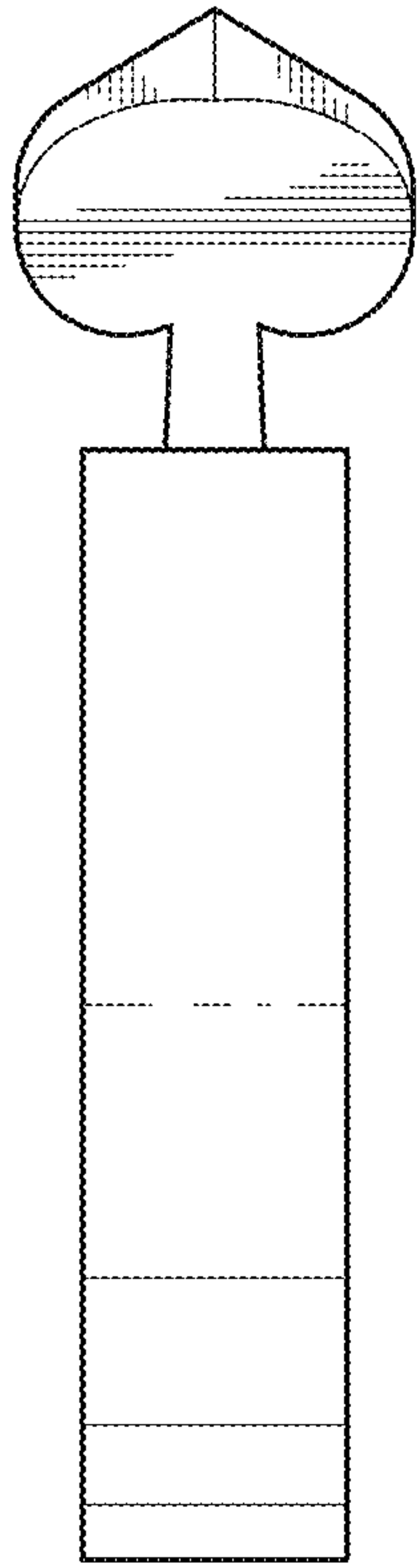


FIG. 6

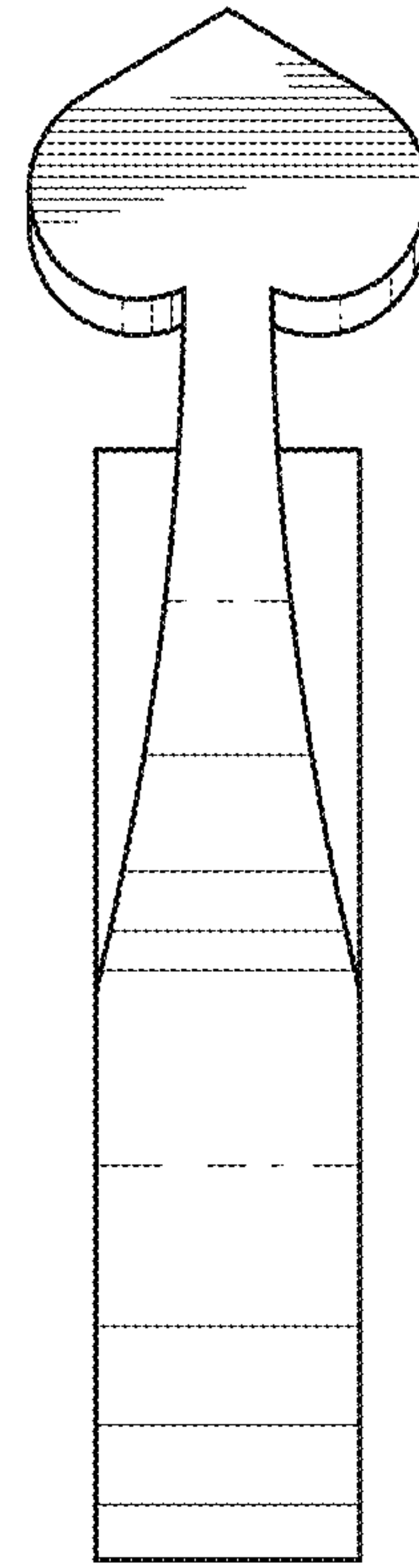


FIG. 7