



US00D793896S

(12) **United States Design Patent** (10) **Patent No.:** **US D793,896 S**  
**Reed, Jr.** (45) **Date of Patent:** **\*\* Aug. 8, 2017**

(54) **JEWELRY RING**  
(71) Applicant: **John William Reed, Jr.**, McDonough,  
GA (US)  
(72) Inventor: **John William Reed, Jr.**, McDonough,  
GA (US)  
(\*\*) Term: **14 Years**  
(21) Appl. No.: **29/512,622**  
(22) Filed: **Dec. 21, 2014**  
(51) **LOC (10) Cl.** ..... **11-01**  
(52) **U.S. Cl.**  
USPC ..... **D11/26**  
(58) **Field of Classification Search**  
USPC ..... D11/1-39  
CPC ..... A44C 9/00; A44C 9/0007; A44C 9/0015;  
A44C 9/0023; A44C 9/003; A44C  
9/0038; A44C 9/0046; A44C 9/0053;  
A44C 9/0061; A44C 9/0069; A44C  
9/0076; A44C 5/00; A44C 5/0053; A44C  
5/0061; A44C 5/0069; A44C 5/0076;  
A44C 5/0084; A44C 5/0092  
See application file for complete search history.

(56) **References Cited**  
**U.S. PATENT DOCUMENTS**  
114,856 A \* 5/1871 Richmond et al. .... A44C 9/00  
29/896.412  
D34,360 S \* 4/1901 Weiss ..... D11/26  
1,207,047 A \* 12/1916 Hunt ..... A44C 9/00  
63/15  
D143,590 S \* 1/1946 Grun ..... D11/26  
D165,623 S \* 1/1952 Witmer ..... D11/26  
D177,967 S \* 6/1956 Edwards ..... D11/26  
D219,532 S \* 12/1970 Mechanic ..... D11/34  
D237,997 S \* 12/1975 Poulin ..... D11/30  
D371,315 S \* 7/1996 Harrell ..... D11/30  
D372,437 S \* 8/1996 Petrucci ..... D11/26

5,588,310 A \* 12/1996 Lai ..... A44C 17/0266  
63/15  
D395,255 S \* 6/1998 Kothari ..... D11/26  
D396,822 S \* 8/1998 Morrison ..... D11/26  
D447,079 S \* 8/2001 Haquet ..... D11/27  
D463,309 S \* 9/2002 Tucker ..... D11/26  
D551,587 S \* 9/2007 McKenzie ..... D11/26  
D559,144 S \* 1/2008 McKenzie ..... D11/26  
D560,537 S \* 1/2008 McKenzie ..... D11/26  
7,322,211 B2 \* 1/2008 McKenzie ..... A44C 9/00  
63/15  
D576,513 S \* 9/2008 Mandes ..... D11/26  
D637,510 S \* 5/2011 Papadimitriou ..... D11/35  
D678,804 S \* 3/2013 Takahashi ..... D11/37  
(Continued)

**OTHER PUBLICATIONS**

[Online] <http://www.michaelsdiamondclub.com/wp-content/blogs.dir/629/files/weddingengagement/3.JPG>. Retrieved Oct. 30, 2016.\*  
(Continued)

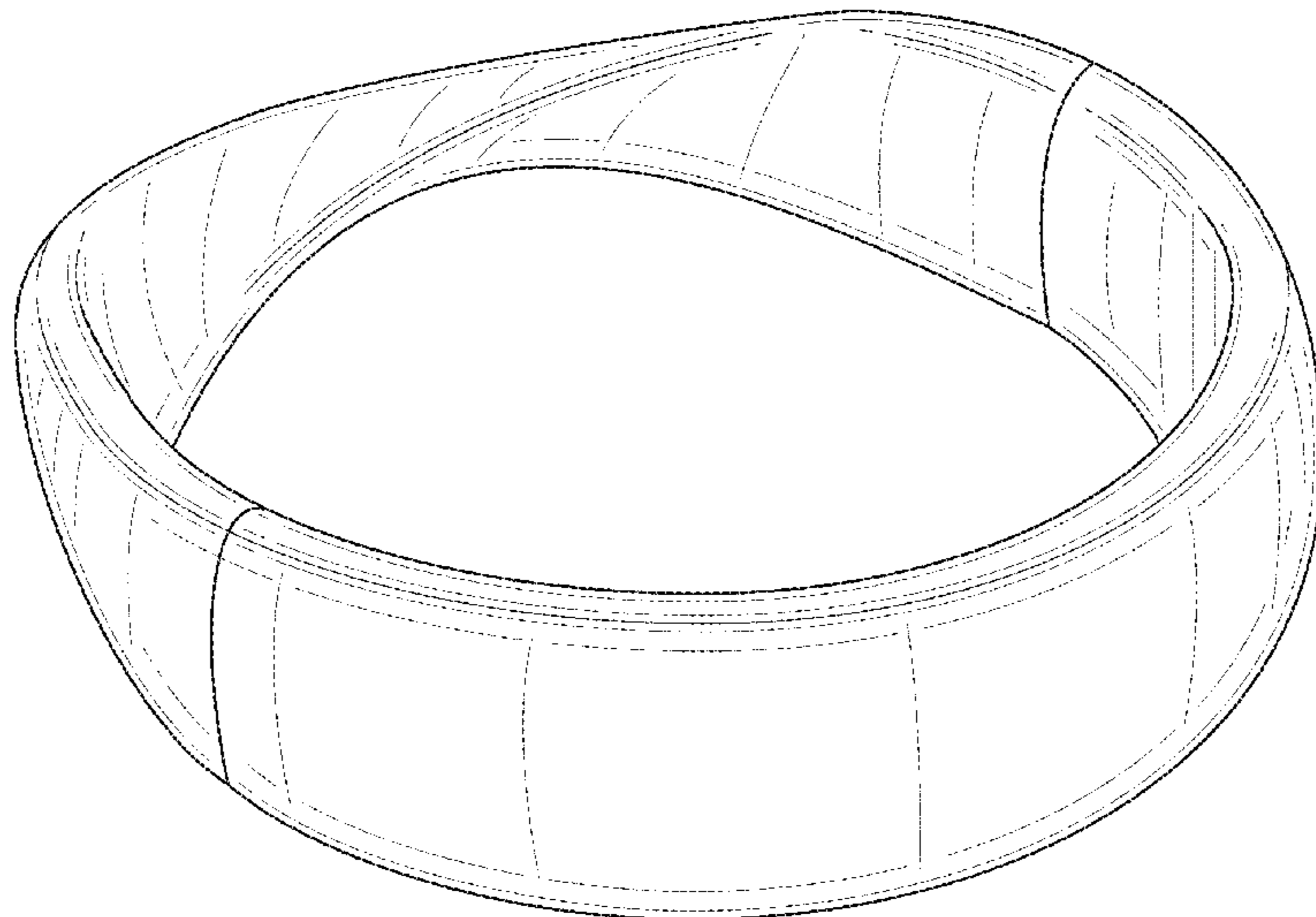
*Primary Examiner* — Melanie Pellegrini  
(74) *Attorney, Agent, or Firm* — Meunier Carlin & Curfman LLC

(57) **CLAIM**  
The ornamental design for a jewelry ring, as shown and described.

**DESCRIPTION**

FIG. 1 is an isometric view of a jewelry ring showing my new design;  
FIG. 2 is a perspective view thereof;  
FIG. 3 is a front elevation view thereof, the rear elevation view being identical thereto;  
FIG. 4 is a right side elevation view thereof, the left side elevation being identical thereto;  
FIG. 5 is a top plan view thereof; and,  
FIG. 6 is a bottom perspective view thereof.

**1 Claim, 6 Drawing Sheets**



(56)

**References Cited**

U.S. PATENT DOCUMENTS

2014/0265114 A1\* 9/2014 Laniewicz ..... A44C 9/00  
273/143 R  
2015/0344993 A1\* 12/2015 Derrig ..... A44C 27/003  
63/15

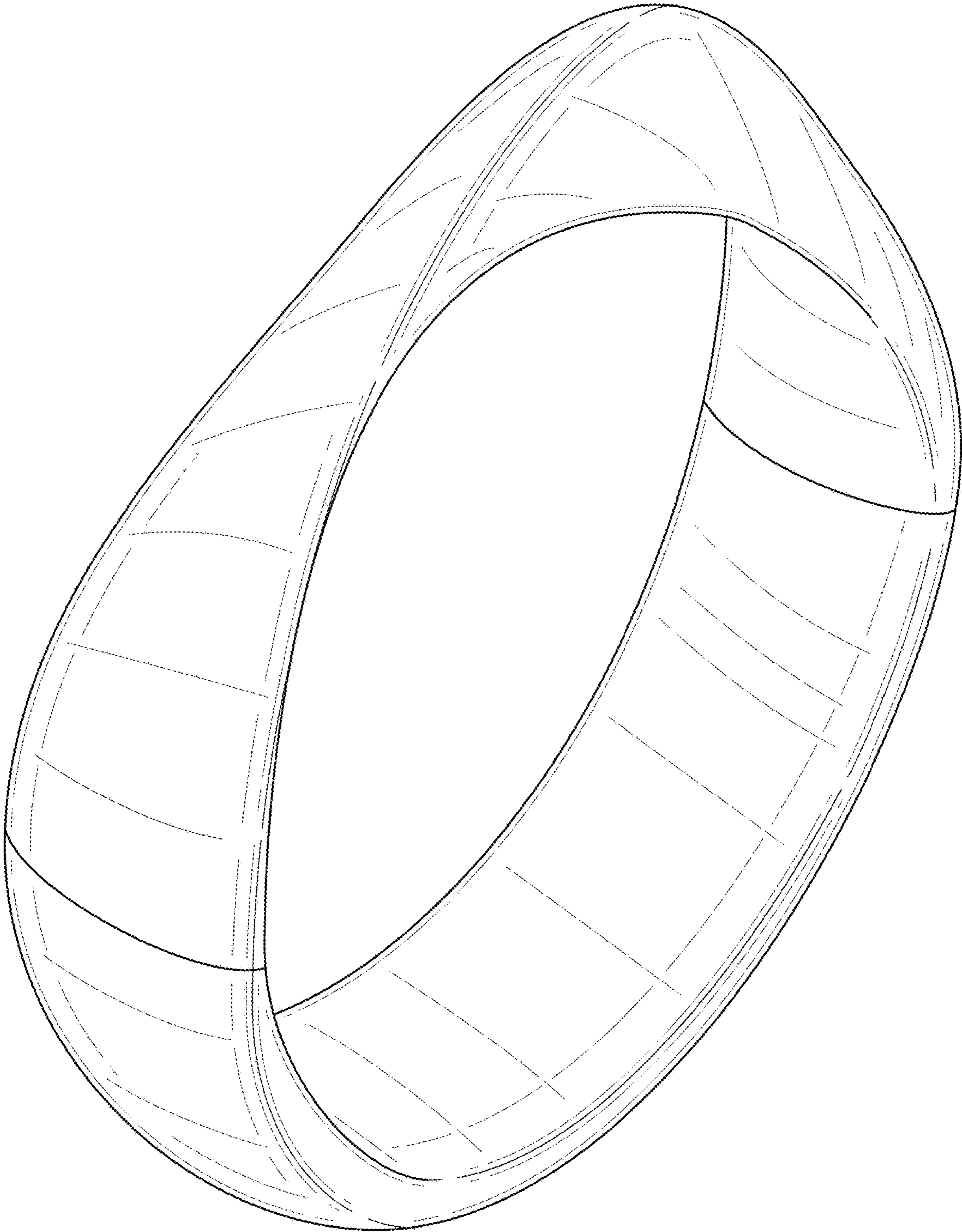
OTHER PUBLICATIONS

[Online] <http://1g3ft02oiwje24spxoxl76ap.wpengine.netdna-cdn.com/wp-content/uploads/98afa90c-c4d4-4688-859e-a2e30159ee89.jpg>. Retrieved Oct. 30, 2016.\*

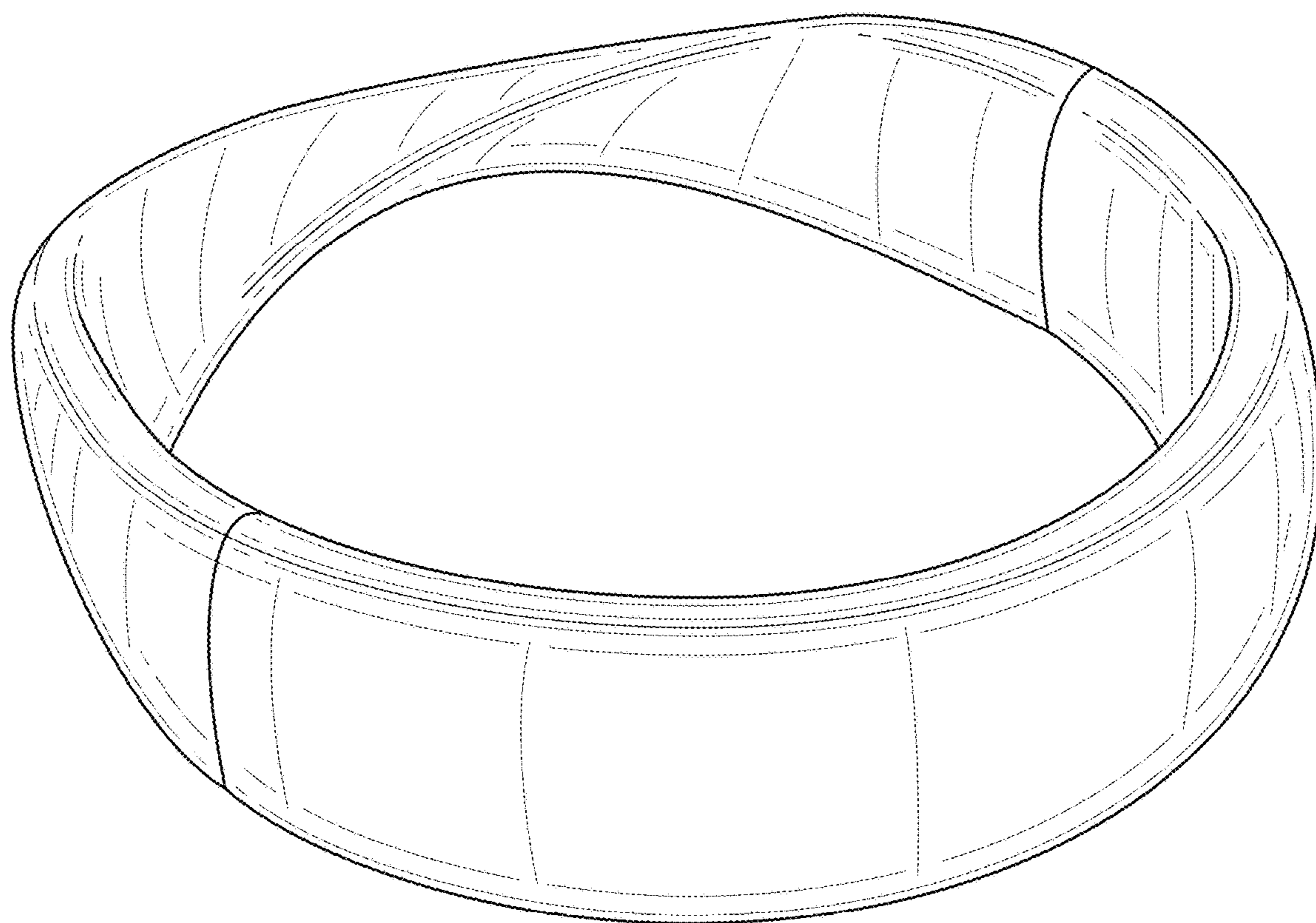
[Online] <http://www.djjewelry.com/image/cache/MTEC6MW-170x170.jpg>. Retrieved Oct. 30, 2016.\*

[Online] <https://www.uniondiamond.com/assets/images/product/R1315-B/AN2/W.jpg>. Retrieved Oct. 30, 2016.\*

\* cited by examiner

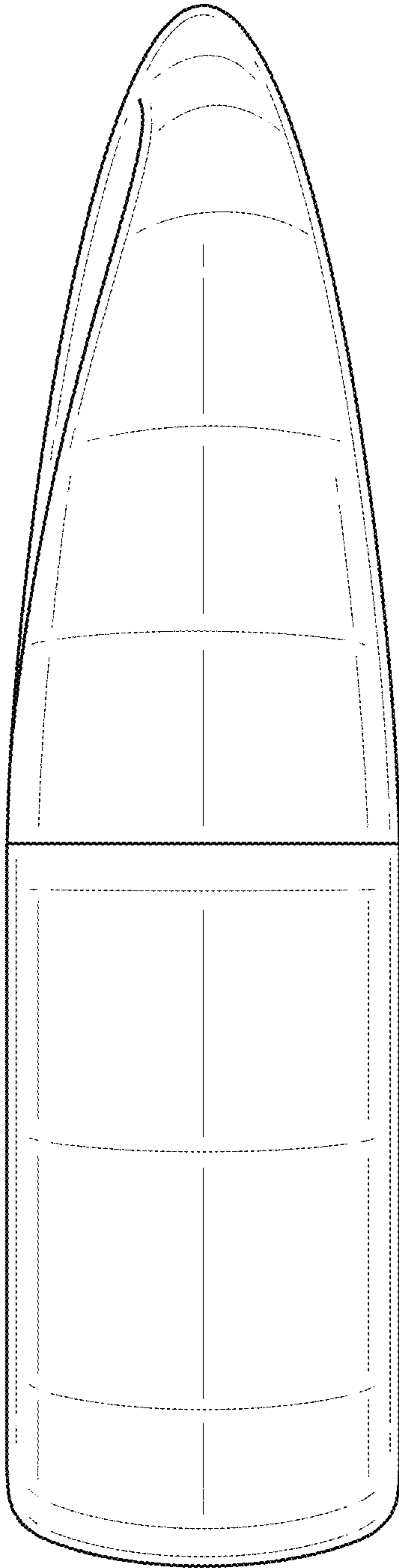


**FIG. 1**

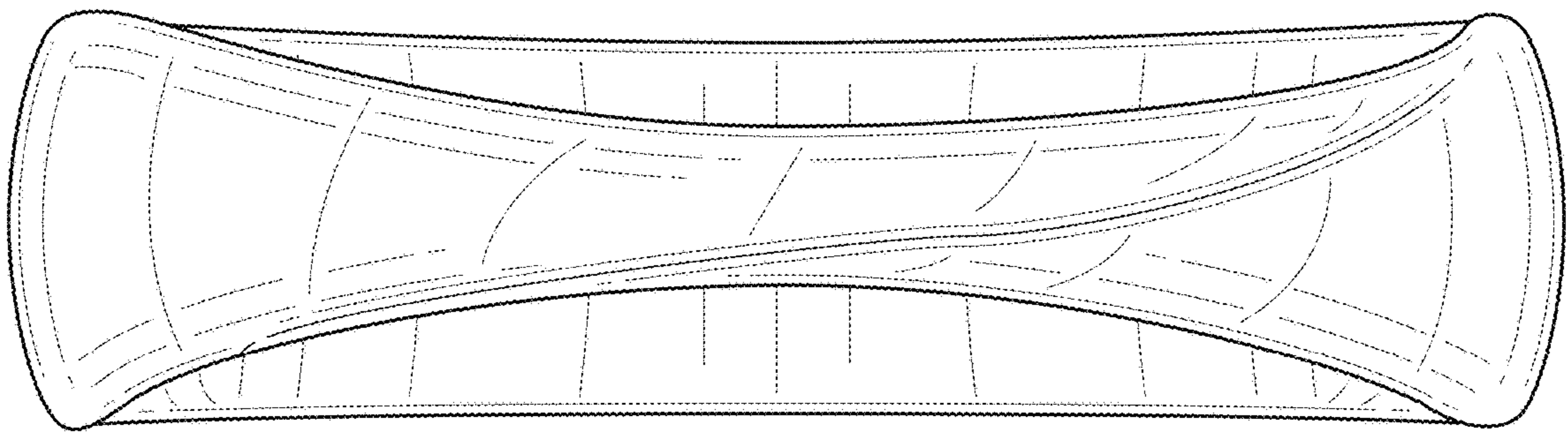


**FIG. 2**

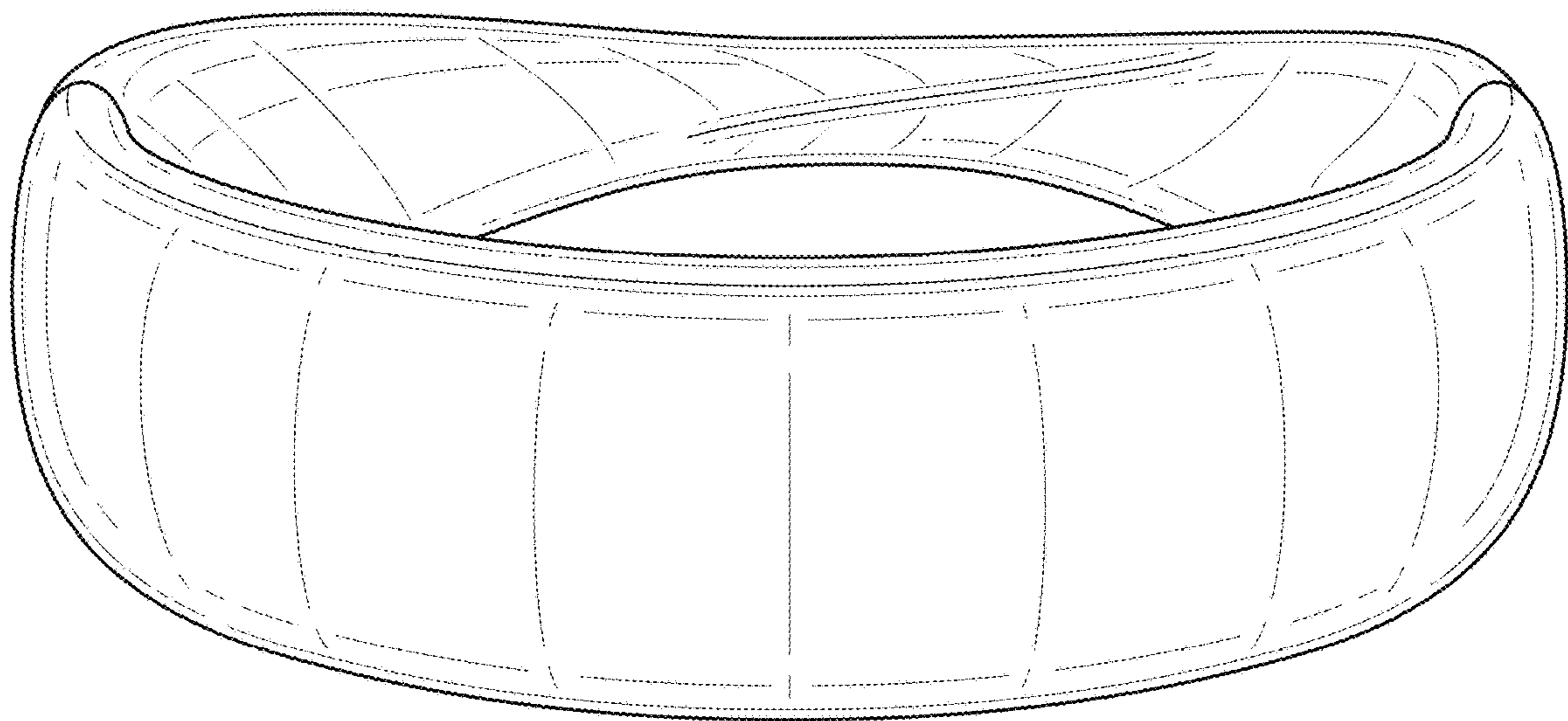




**FIG. 4**



**FIG. 5**



**FIG. 6**