



US00D793892S

(12) **United States Design Patent** (10) **Patent No.:** **US D793,892 S**  
**Saunier** (45) **Date of Patent:** **\*\* Aug. 8, 2017**

(54) **DIAL**

(71) Applicant: **HARRY WINSTON SA,**  
Plan-les-Ouates (CH)

(72) Inventor: **Nelly Saunier,** Paris (FR)

(73) Assignee: **HARRY WINSTON SA,**  
Plan-les-Ouates (CH)

(\*\*) Term: **15 Years**

(21) Appl. No.: **29/539,510**

(22) Filed: **Sep. 15, 2015**

(30) **Foreign Application Priority Data**

Mar. 17, 2015 (WO) ..... DM/085 887

(51) **LOC (10) Cl.** ..... **10-07**

(52) **U.S. Cl.**  
USPC ..... **D10/126**

(58) **Field of Classification Search**

USPC ..... D10/1-41, 122-124, 126, 128, 131;  
D14/344, 138 R; D24/167, 186;  
D11/3-7, 40, 43

CPC ..... G04B 19/00; G04B 19/06; G04B 19/08;  
G04B 19/10; G04B 19/108; G04B 19/22;  
G04B 19/26; G04B 19/262; G04B 37/00;  
G04B 37/081; G04B 37/084; G04B  
37/05; G04B 37/10; G04B 37/1446;  
G04B 37/1466; G08B 25/016; G04G  
17/00; G04G 17/08; G04D 7/12; G04D  
7/1214

See application file for complete search history.

(56) **References Cited**

U.S. PATENT DOCUMENTS

D217,003	S	*	3/1970	Windebank	.....	D10/1
D775,533	S	*	1/2017	Dupont	.....	D10/30
D775,970	S	*	1/2017	Dupont	.....	D10/30
D775,971	S	*	1/2017	Dupont	.....	D10/30
D775,972	S	*	1/2017	Dupont	.....	D10/30

\* cited by examiner

*Primary Examiner* — Sandra Snapp

(74) *Attorney, Agent, or Firm* — Donald J. Ranft; Collen IP

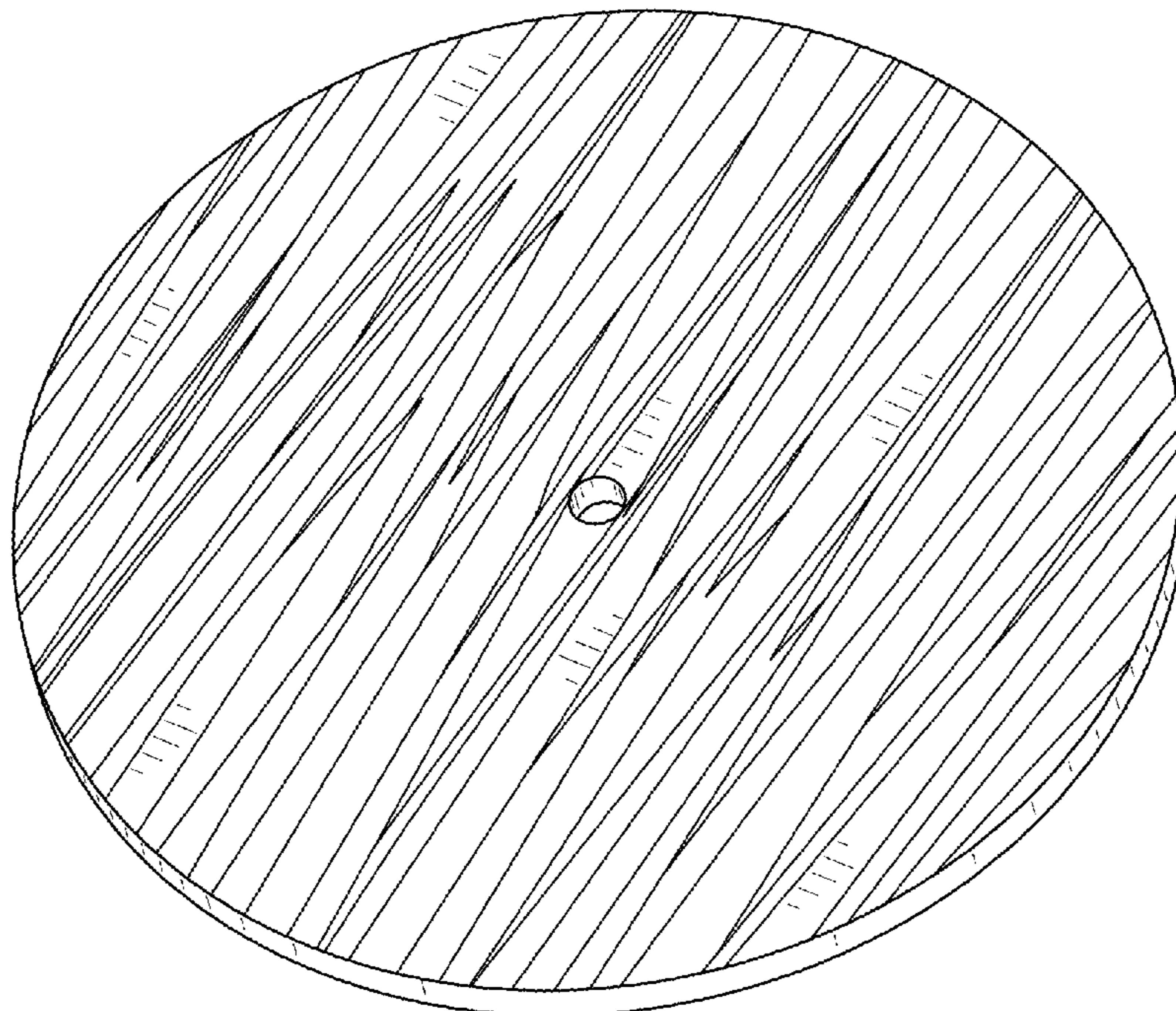
(57) **CLAIM**

The ornamental design for a dial, as shown.

**DESCRIPTION**

FIG. 1 is a front right perspective view of a dial showing my new design;  
FIG. 2 is a rear right perspective view thereof;  
FIG. 3 is a front view thereof;  
FIG. 4 is a rear view thereof;  
FIG. 5 is a left side view thereof;  
FIG. 6 is a right side view thereof;  
FIG. 7 is a top view thereof; and,  
FIG. 8 is a bottom view thereof.

**1 Claim, 4 Drawing Sheets**



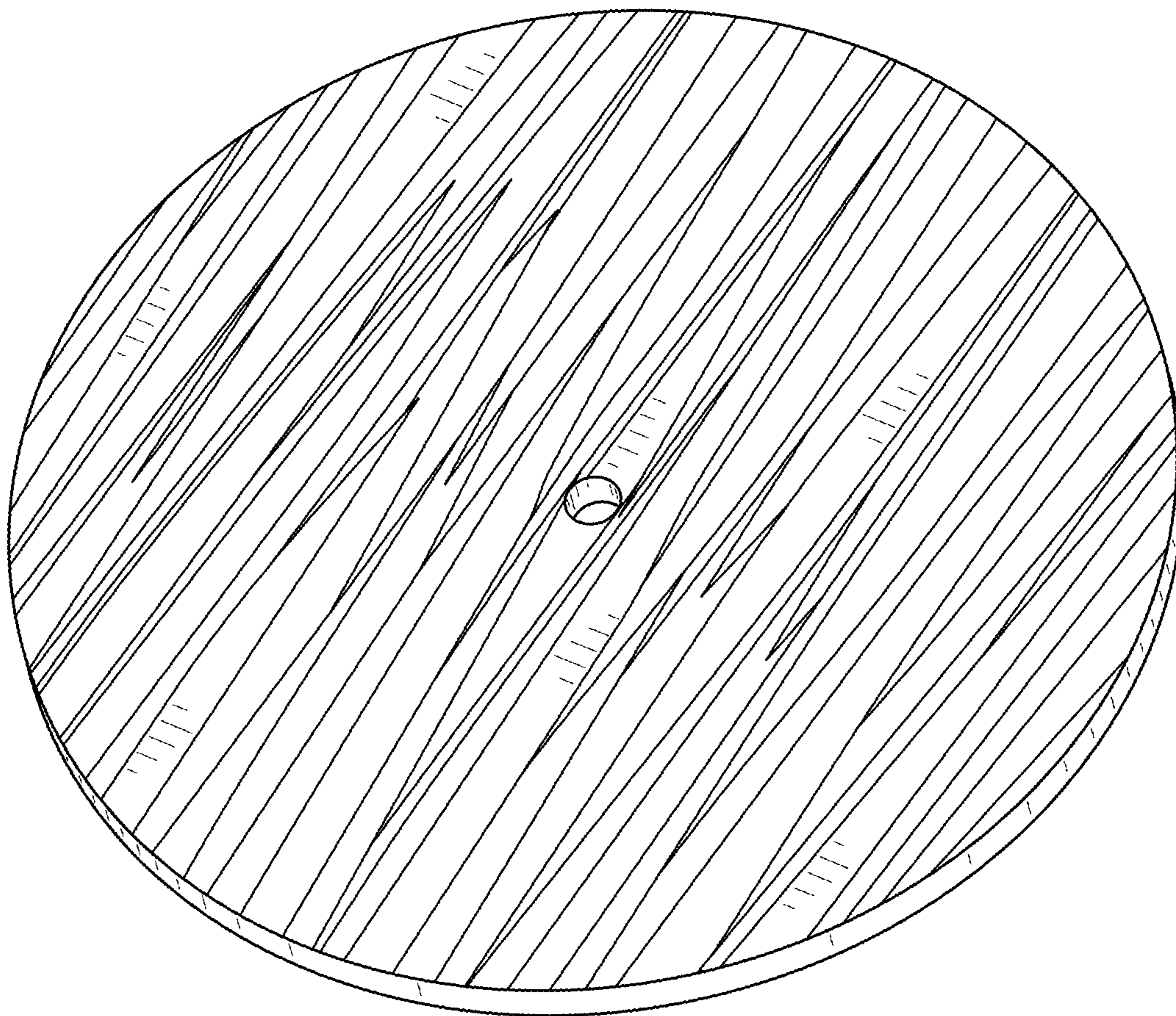


FIG. 1

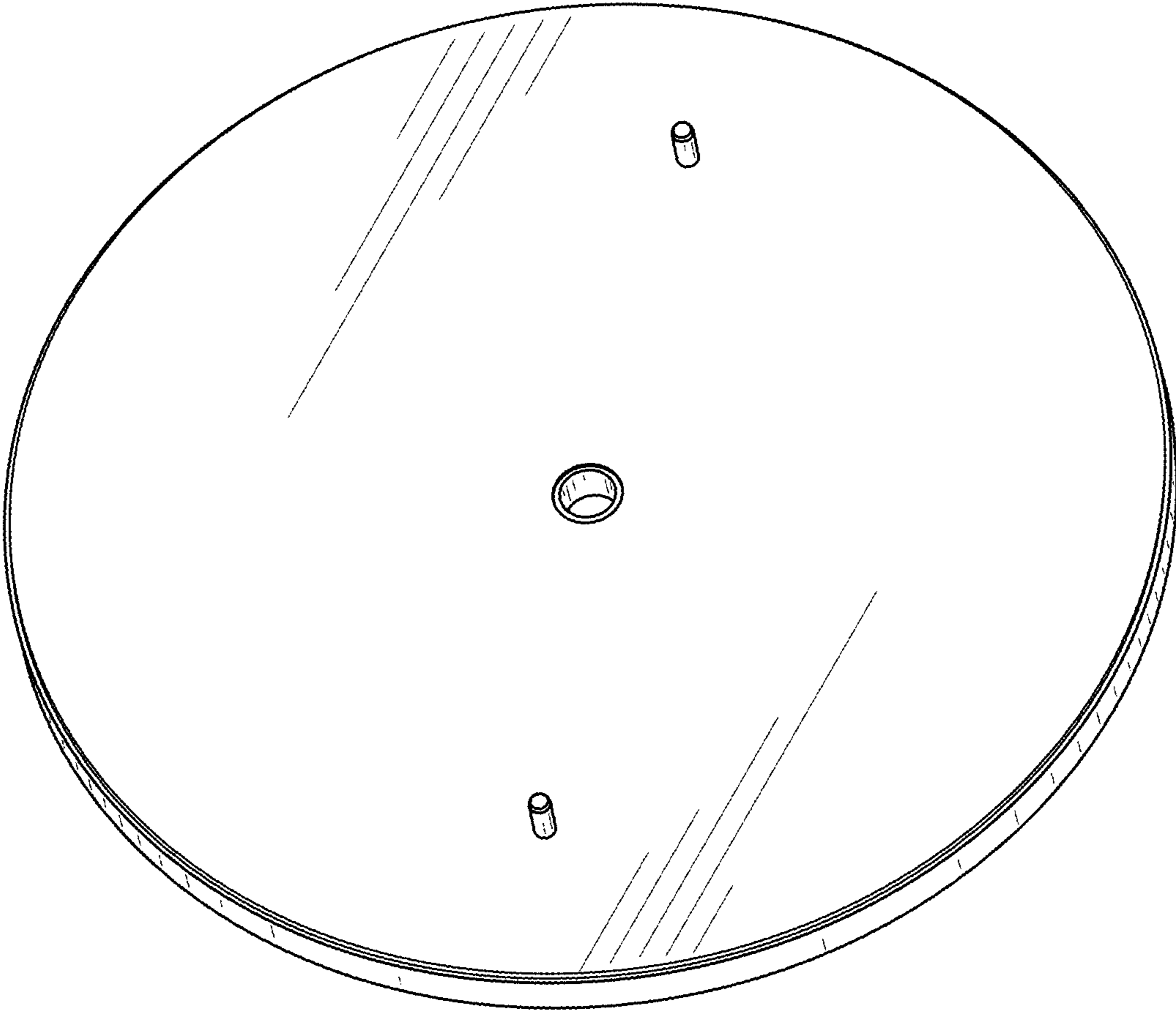


FIG. 2



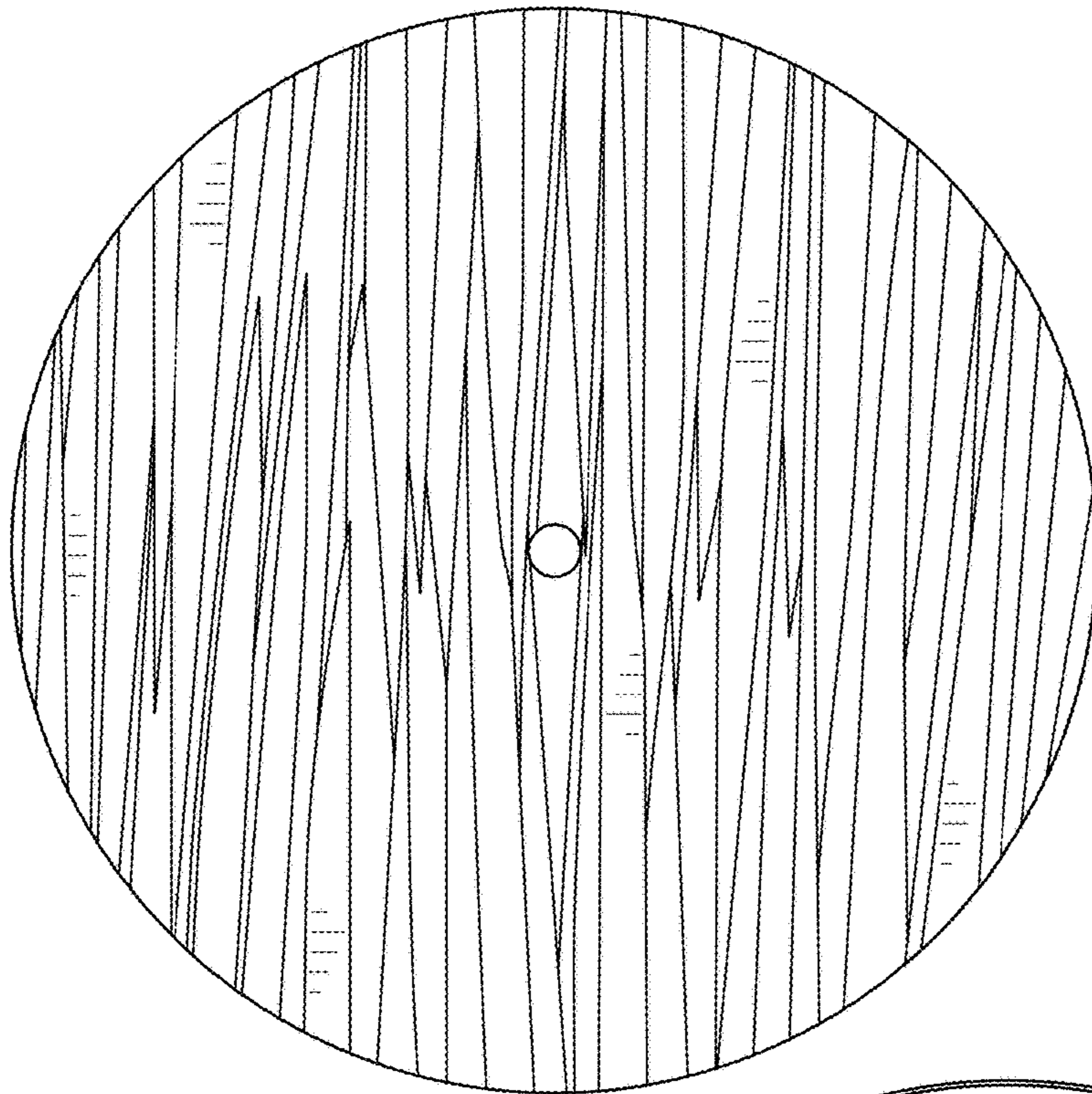


FIG. 3

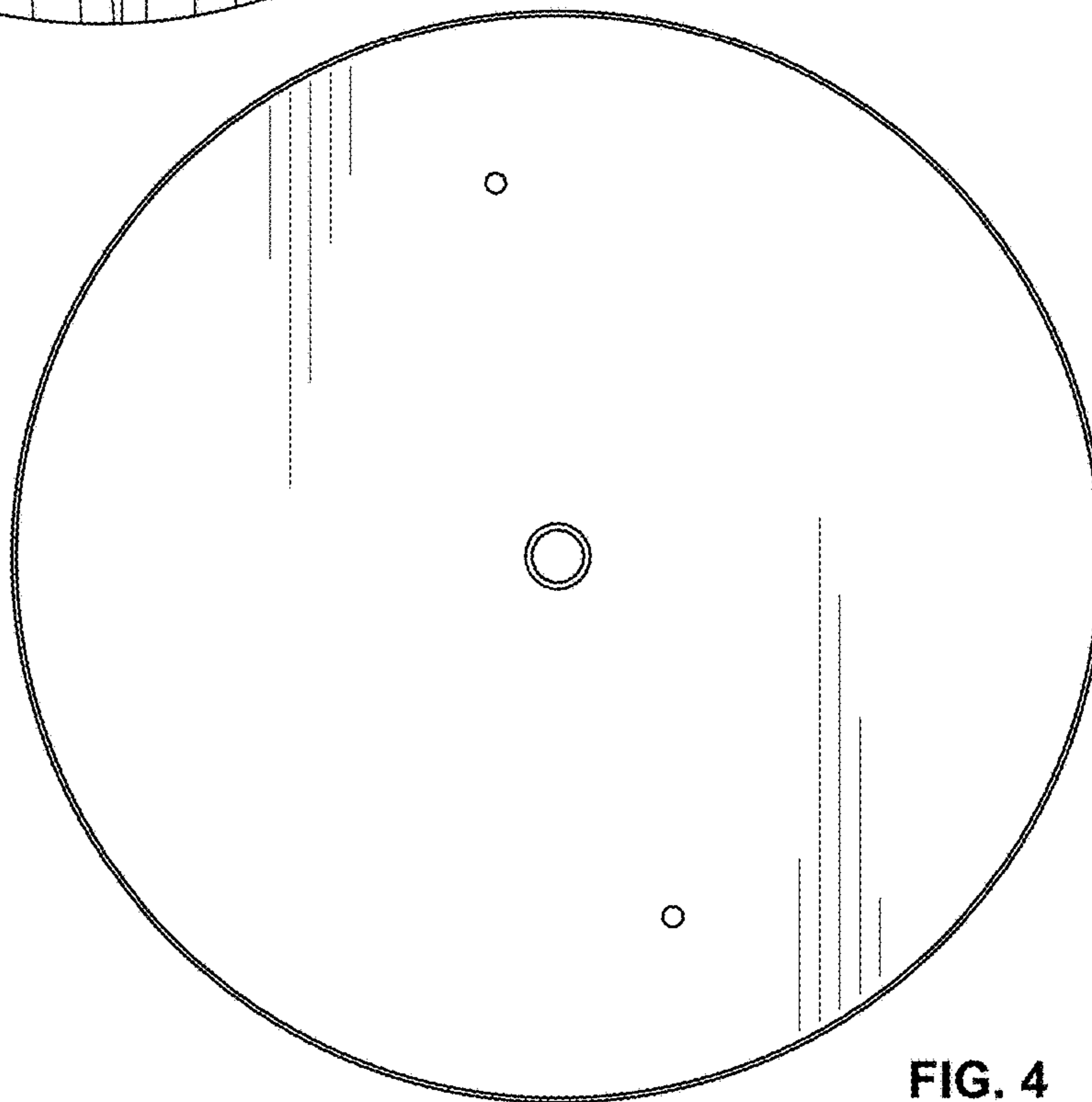


FIG. 4

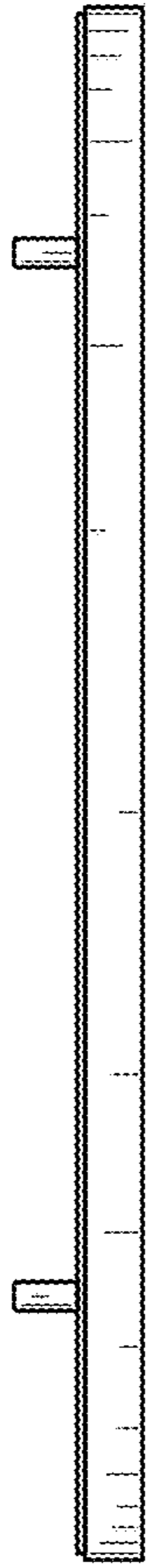


FIG. 5

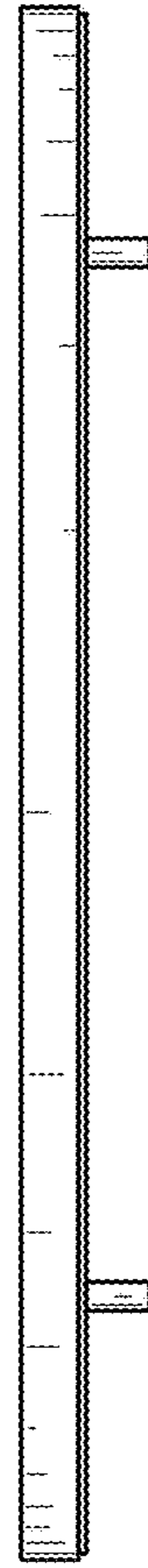


FIG. 6

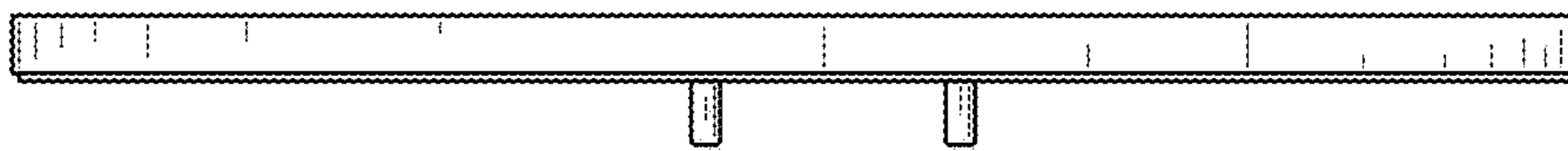


FIG. 7

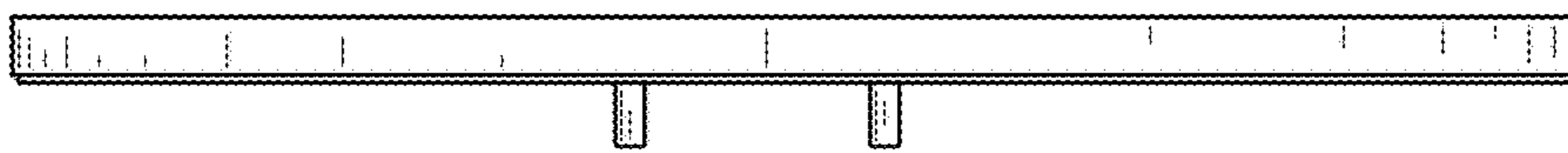


FIG. 8