



US00D793888S

(12) **United States Design Patent** (10) **Patent No.:** **US D793,888 S**  
**Hasegawa** (45) **Date of Patent:** **\*\* Aug. 8, 2017**

(54) **CONTROL PANEL**  
(71) Applicant: **Panasonic Intellectual Property Management Co., Ltd.**, Osaka-shi, Osaka (JP)  
(72) Inventor: **Takashi Hasegawa**, Osaka (JP)  
(73) Assignee: **PANASONIC INTELLECTUAL PROPERTY MANAGEMENT CO., LTD.**, Osaka (JP)  
(\*\*) Term: **15 Years**  
(21) Appl. No.: **29/537,362**  
(22) Filed: **Aug. 25, 2015**  
(51) **LOC (10) Cl.** ..... **10-05**  
(52) **U.S. Cl.**  
USPC ..... **D10/106.95; D13/162**  
(58) **Field of Classification Search**  
USPC ..... D13/162, 168; D10/106.1, 106.95, 125; D14/188, 240  
CPC ..... G08B 13/00; G08B 13/02; G08B 13/08; G08B 17/06; G08B 17/10; B60R 25/00  
See application file for complete search history.

(56) **References Cited**  
U.S. PATENT DOCUMENTS  
D236,719 S \* 9/1975 Sparks et al. .... D10/106.95  
D328,260 S \* 7/1992 Loew ..... D10/106.95  
D354,737 S 1/1995 Fladung  
D360,191 S 7/1995 Carl et al.  
D370,677 S \* 6/1996 Olson ..... D14/188  
D408,812 S \* 4/1999 Danis ..... D14/137  
6,130,610 A \* 10/2000 Schilsky ..... G08B 13/00  
340/539.14  
6,243,000 B1 \* 6/2001 Tsui ..... G07C 9/00182  
340/5.2  
D447,075 S \* 8/2001 Roberts ..... D10/106.95  
D500,037 S \* 12/2004 Ozolins ..... D14/375

D501,659 S \* 2/2005 Yamaji ..... D14/188  
D559,719 S \* 1/2008 Schaeken ..... D10/106.1  
D577,623 S \* 9/2008 Tal ..... D10/106.95  
D601,583 S \* 10/2009 Andre ..... D14/496  
D642,992 S 8/2011 Sasaki et al.  
D673,144 S \* 12/2012 Onoue ..... D14/188  
D678,218 S \* 3/2013 Sheen ..... D13/168  
D687,388 S 8/2013 Baumgartner et al.  
D705,201 S \* 5/2014 Isaacs ..... D14/240  
D714,234 S 9/2014 Altonen et al.  
D717,743 S \* 11/2014 Larkin ..... D13/164  
D718,721 S \* 12/2014 Rader ..... D13/162  
D719,862 S \* 12/2014 Fiedler ..... D10/106.95  
D734,179 S \* 7/2015 Golden ..... D10/50  
D738,755 S \* 9/2015 Druce ..... D10/50  
D776,078 S \* 1/2017 Williamson ..... D14/188  
D776,633 S \* 1/2017 Williamson ..... D14/188  
D777,683 S \* 1/2017 Kashimoto ..... D13/168

(Continued)

Primary Examiner — Selina Sikder  
(74) Attorney, Agent, or Firm — Brinks Gilson & Lione

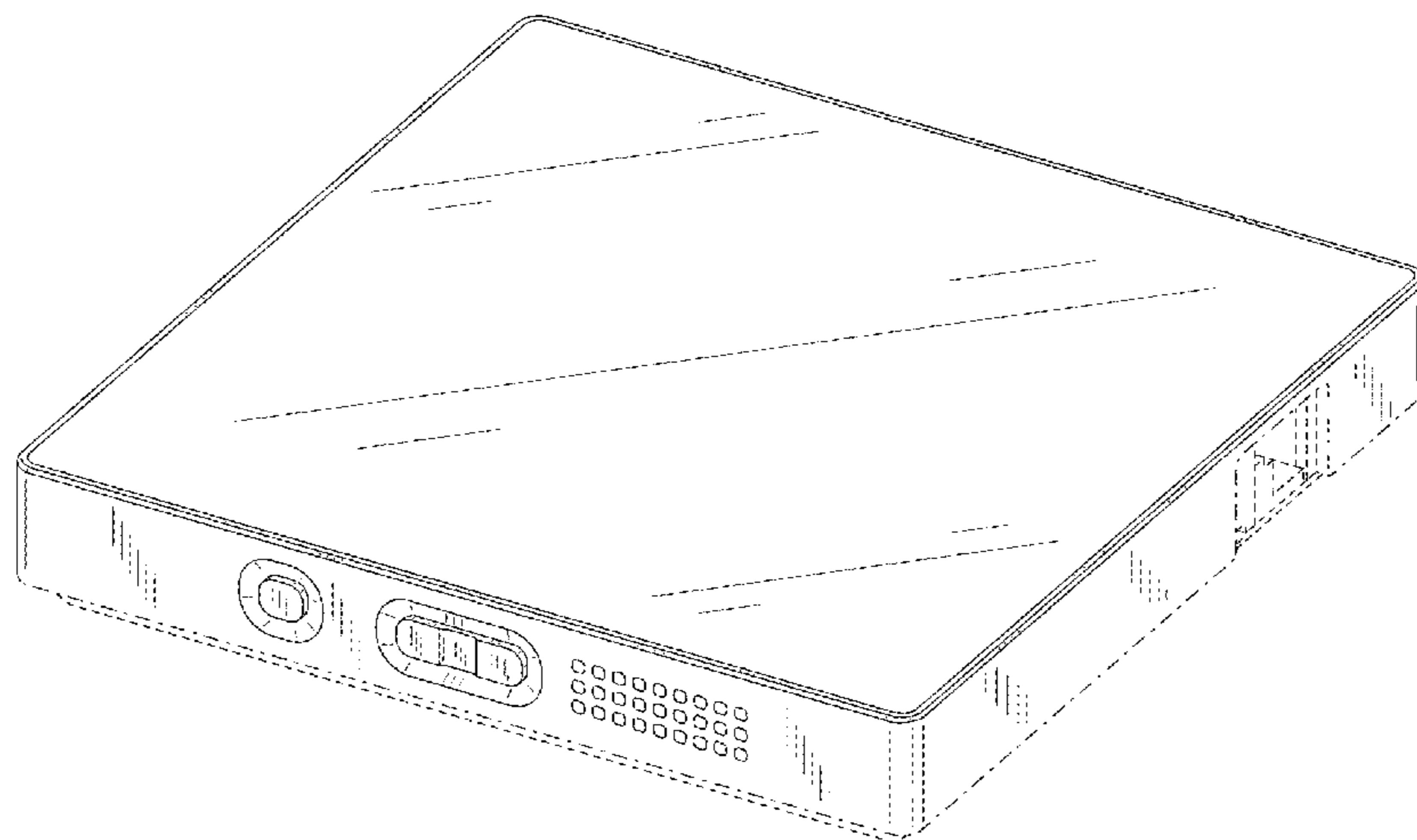
(57) **CLAIM**

I claim the ornamental design for a control panel, as shown and described.

**DESCRIPTION**

FIG. 1 is a front left bottom perspective view of a control panel of the present invention;  
FIG. 2 is a front view thereof;  
FIG. 3 is a rear view thereof;  
FIG. 4 is a left side view thereof;  
FIG. 5 is a right side view thereof;  
FIG. 6 is a top view thereof; and,  
FIG. 7 is a bottom view thereof.  
The broken lines shown represent unclaimed subject matter and form no part of the claimed design. Additionally, the unevenly broken lines in the drawings define the limits of the claimed design. The oblique line shading in FIGS. 1 and 2 indicate a transparent surface.

**1 Claim, 7 Drawing Sheets**



(56)

**References Cited**

U.S. PATENT DOCUMENTS

2008/0198006 A1\* 8/2008 Chou ..... G07C 9/00158  
340/540  
2012/0169487 A1\* 7/2012 Poder ..... B60R 25/102  
340/426.15  
2017/0061713 A1\* 3/2017 Krishnan ..... G06F 21/31  
2017/0084143 A1\* 3/2017 Acera ..... G08B 13/19684

\* cited by examiner

FIG.1

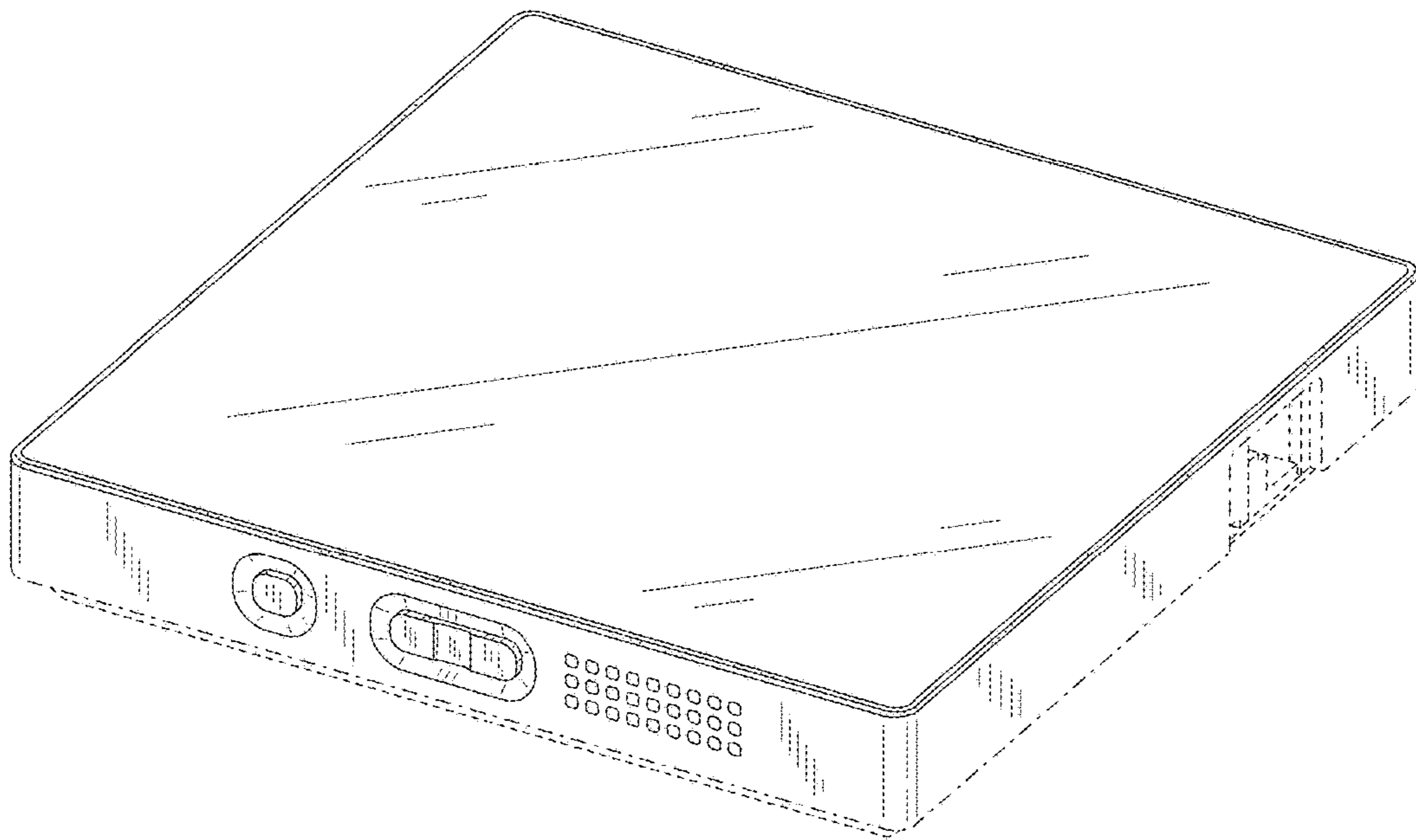


FIG.2

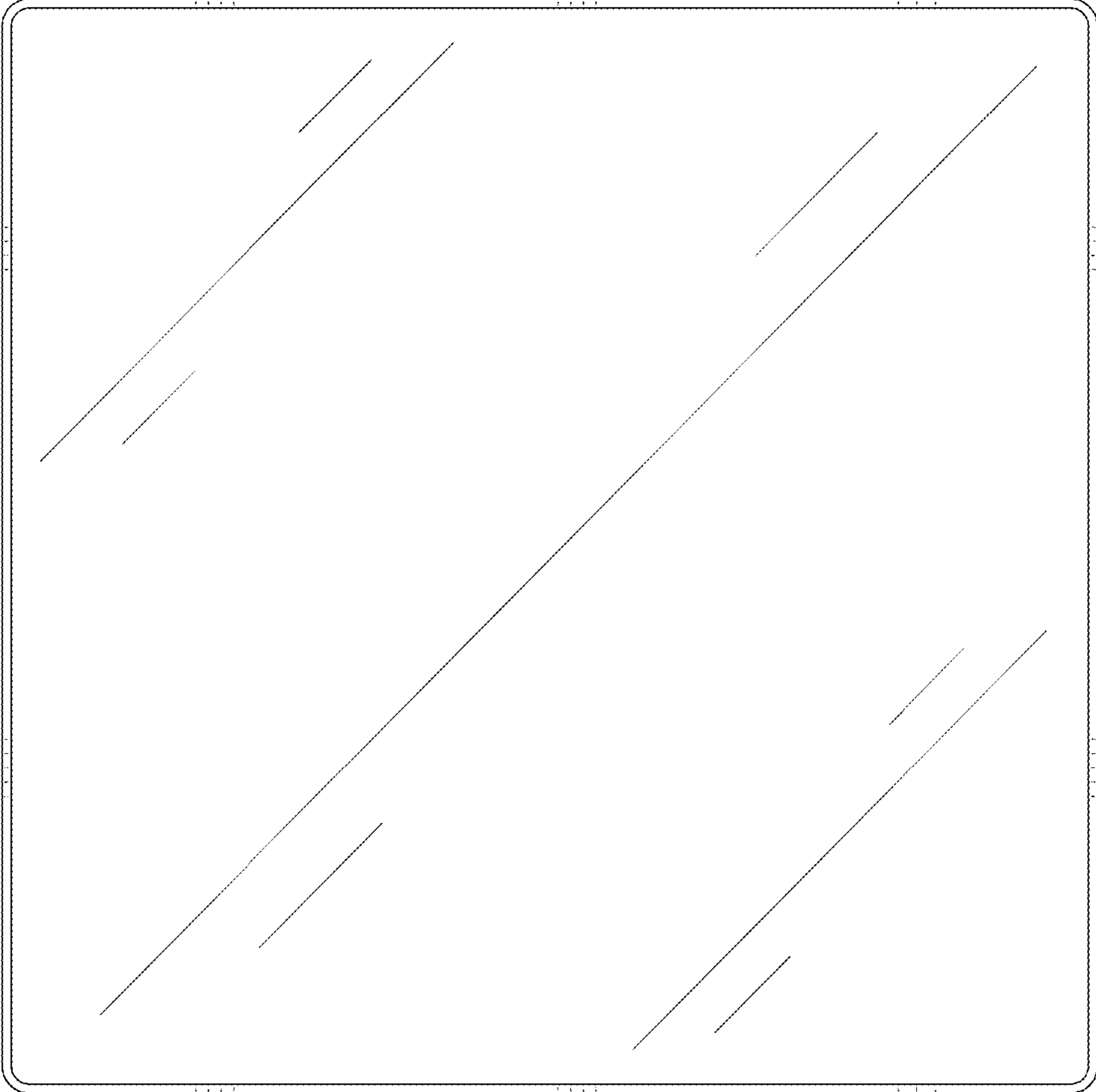


FIG.3

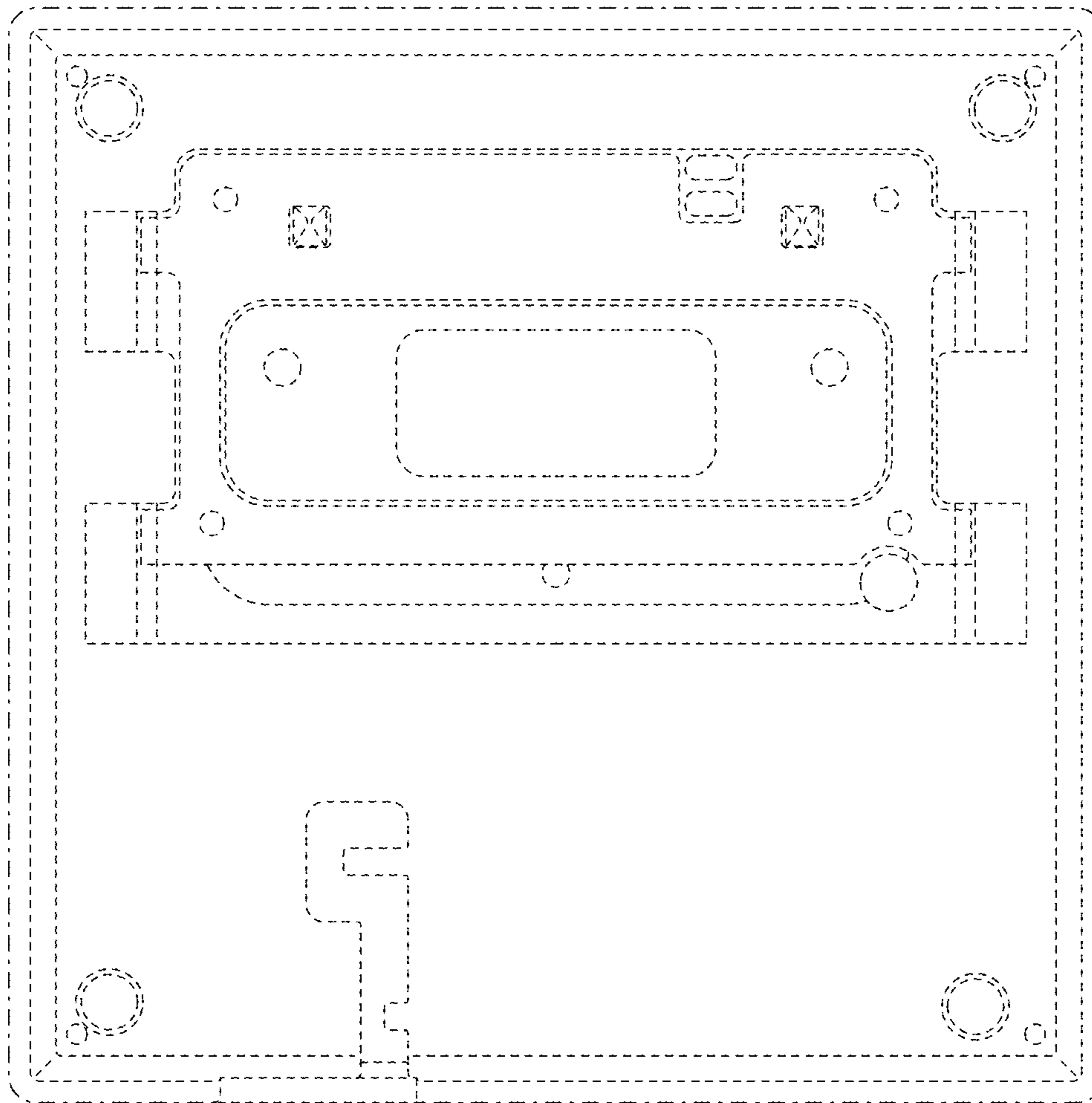


FIG.4

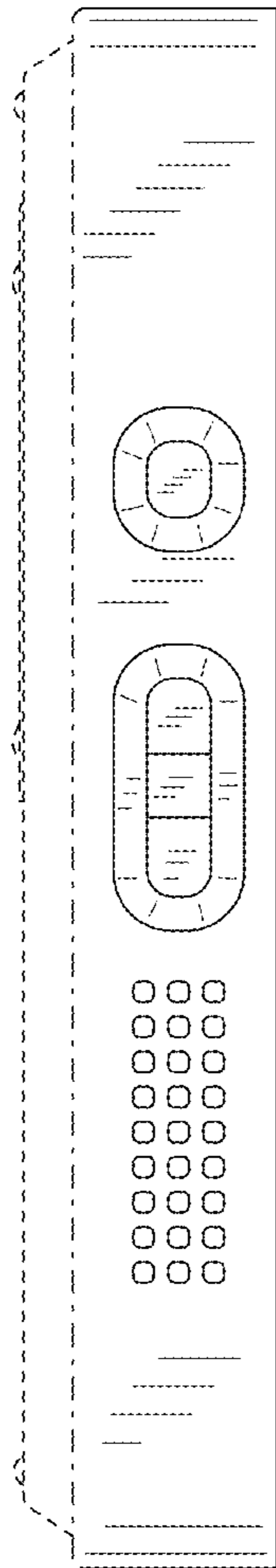


FIG.5

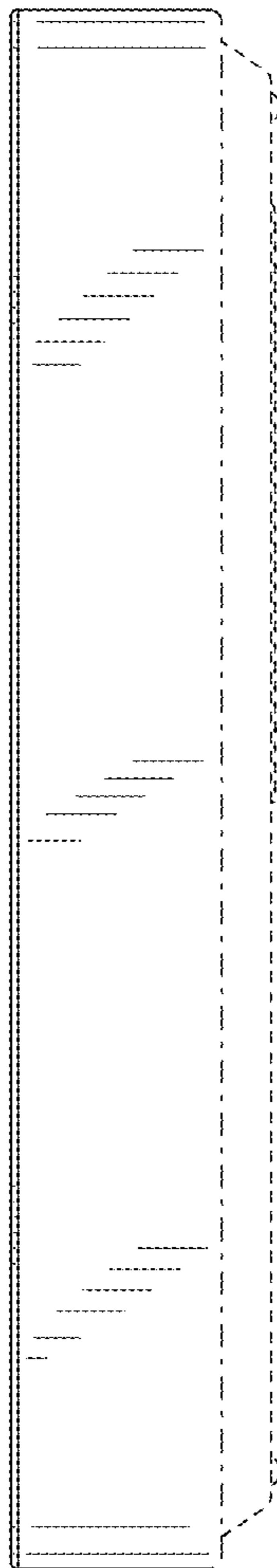


FIG.6

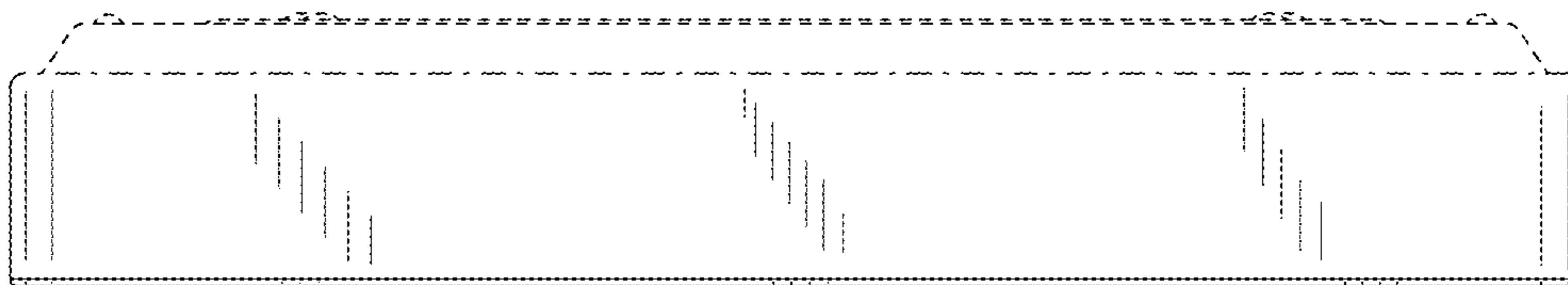




FIG.7

