



US00D793887S

(12) **United States Design Patent** (10) **Patent No.:** **US D793,887 S**
Shen (45) **Date of Patent:** **** Aug. 8, 2017**

(54) **CLAMP METER**

(71) Applicant: **Fluke Corporation**, Everett, WA (US)

(72) Inventor: **Yurui Shen**, Shanghai (CN)

(73) Assignee: **Fluke Corporation**, Everett, WA (US)

(**) Term: **15 Years**

(21) Appl. No.: **29/569,284**

(22) Filed: **Jun. 24, 2016**

Related U.S. Application Data

(62) Division of application No. 29/519,419, filed on Mar. 4, 2015, now Pat. No. Des. 762,502.

Foreign Application Priority Data

Sep. 5, 2014 (CN) 2014 3 0327714

(51) **LOC (10) Cl.** **10-04**

(52) **U.S. Cl.**
USPC **D10/80**

(58) **Field of Classification Search**
USPC D10/73, 80
CPC G01R 1/04; G01R 1/0408; G01R 1/0416;
G01R 1/0425; G01R 1/06; G01R 1/067;
G01R 15/125; G01R 1/22; G01R 15/12;
G01R 15/18; G01R 15/186; G01R 1/07;
G01R 1/16772; G01R 1/16788

See application file for complete search history.

(56) **References Cited**

U.S. PATENT DOCUMENTS

D665,282 S	8/2012	Worones	
D678,790 S	3/2013	Worones	
D715,169 S	10/2014	Chen	
D726,049 S	4/2015	Wurts et al.	
D726,050 S	4/2015	Wurts et al.	
D766,118 S *	9/2016	Wong	D10/79

OTHER PUBLICATIONS

“Fluke i400 AC Current Clamp,” <<http://en-us.fluke.com/products/all-accessories/fluke-i400.html>> [retrieved Mar. 26, 2015], 4 pages.

* cited by examiner

Primary Examiner — Antoine D Davis

(74) *Attorney, Agent, or Firm* — Seed IP Law Group LLP

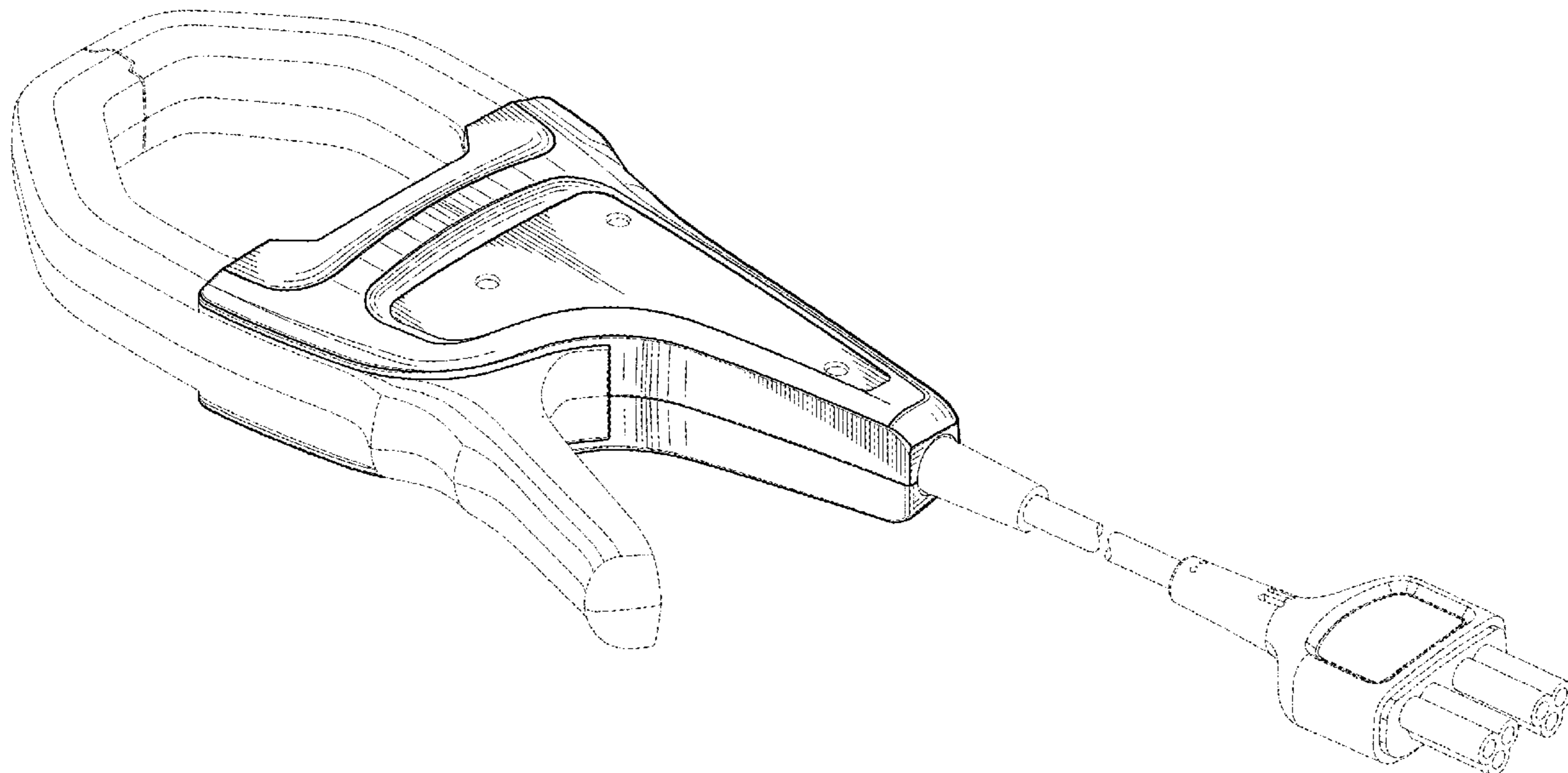
(57) **CLAIM**

The ornamental design for a clamp meter, as shown and described.

DESCRIPTION

FIG. 1 is a bottom, front left perspective view of an embodiment of a clamp meter showing my new design; FIG. 2 is a top, front right perspective view thereof; FIG. 3 is a front elevation view thereof; FIG. 4 is a rear elevation view thereof; FIG. 5 is a right elevation view thereof; FIG. 6 is a left elevation view thereof; FIG. 7 is a top plan view thereof; and, FIG. 8 is a bottom plan view thereof. The broken lines are for the purpose of illustrating portions of the clamp meter that form no part of the claimed design.

1 Claim, 6 Drawing Sheets



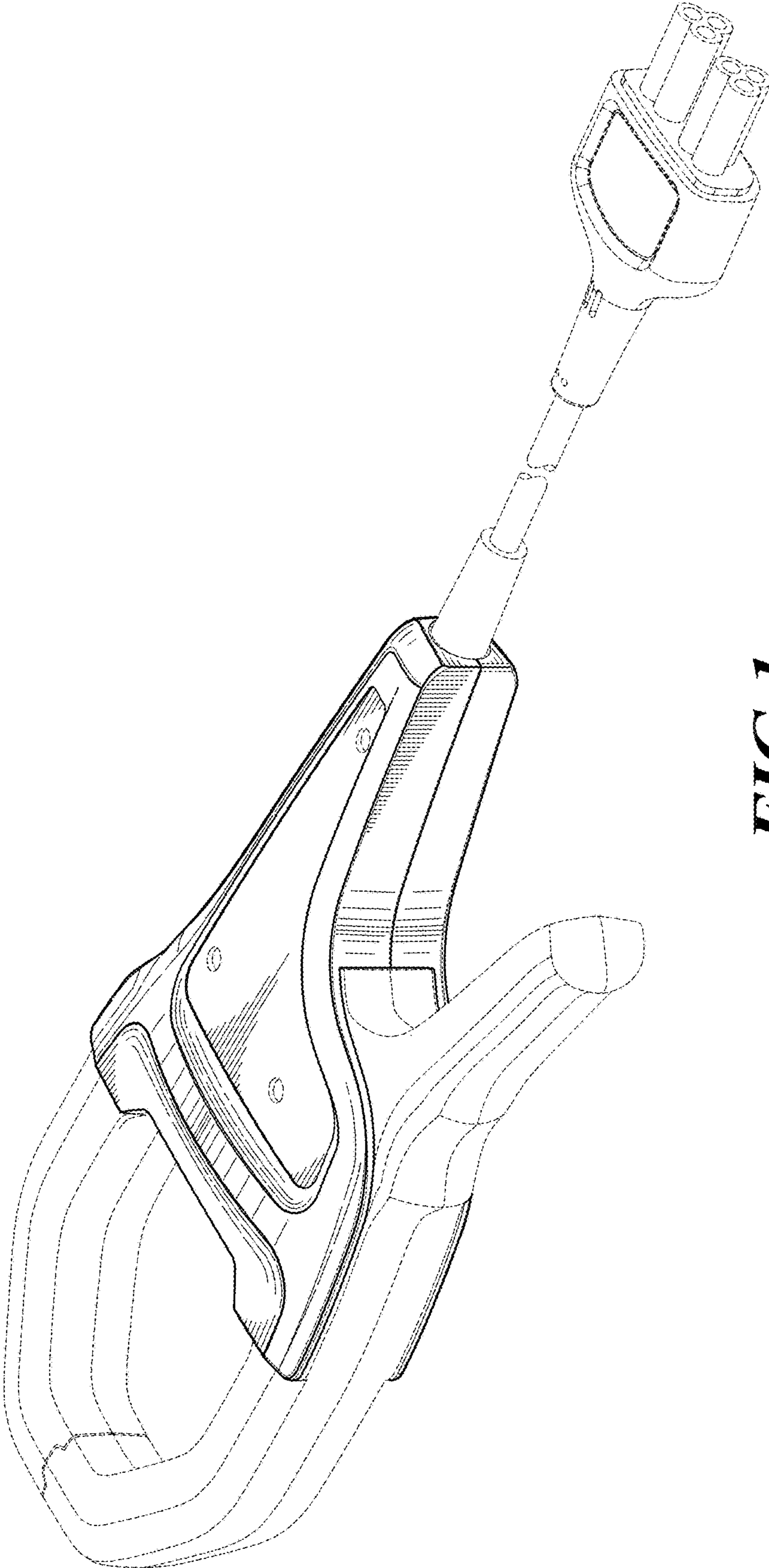


FIG. 1

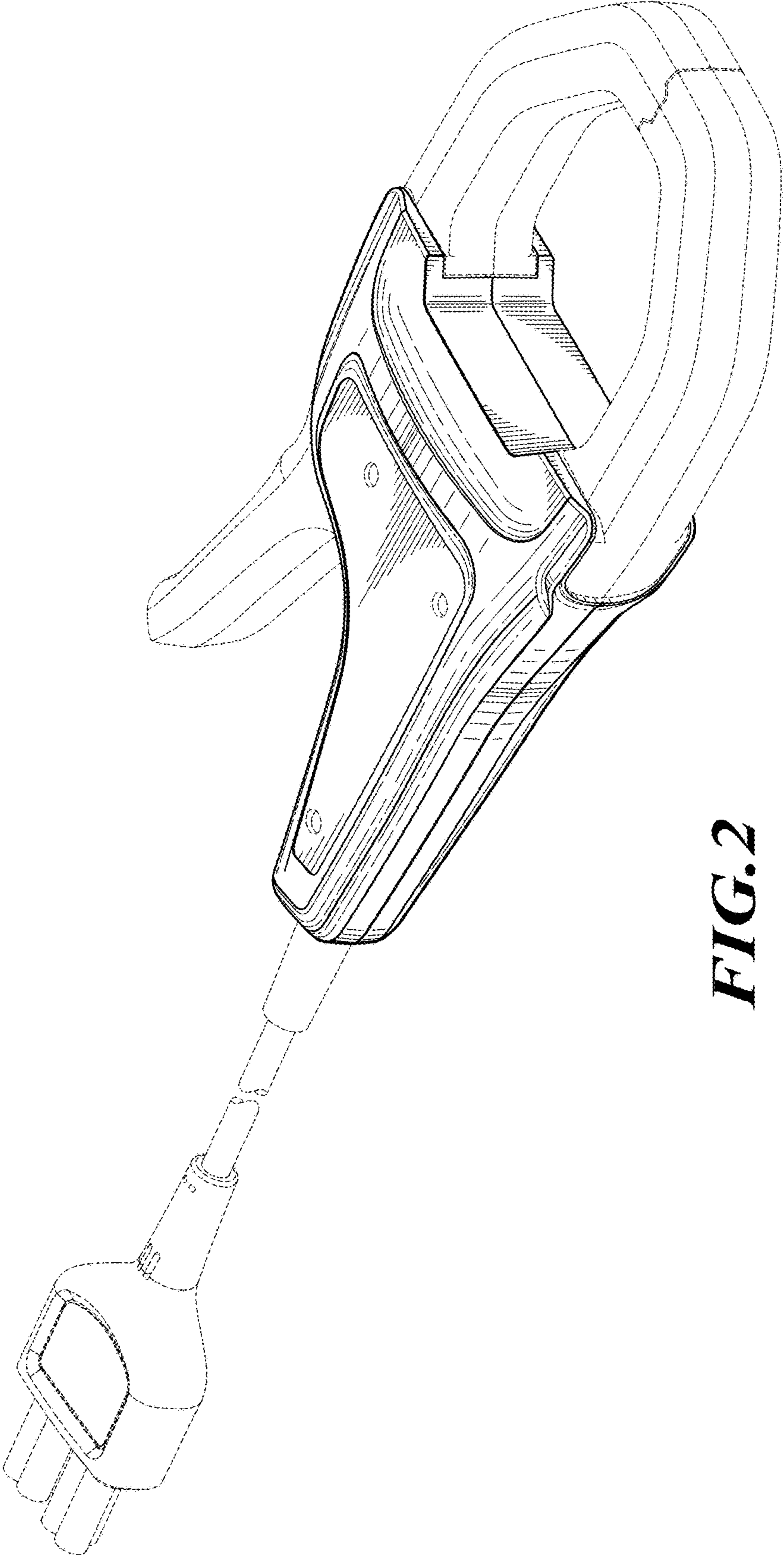


FIG. 2

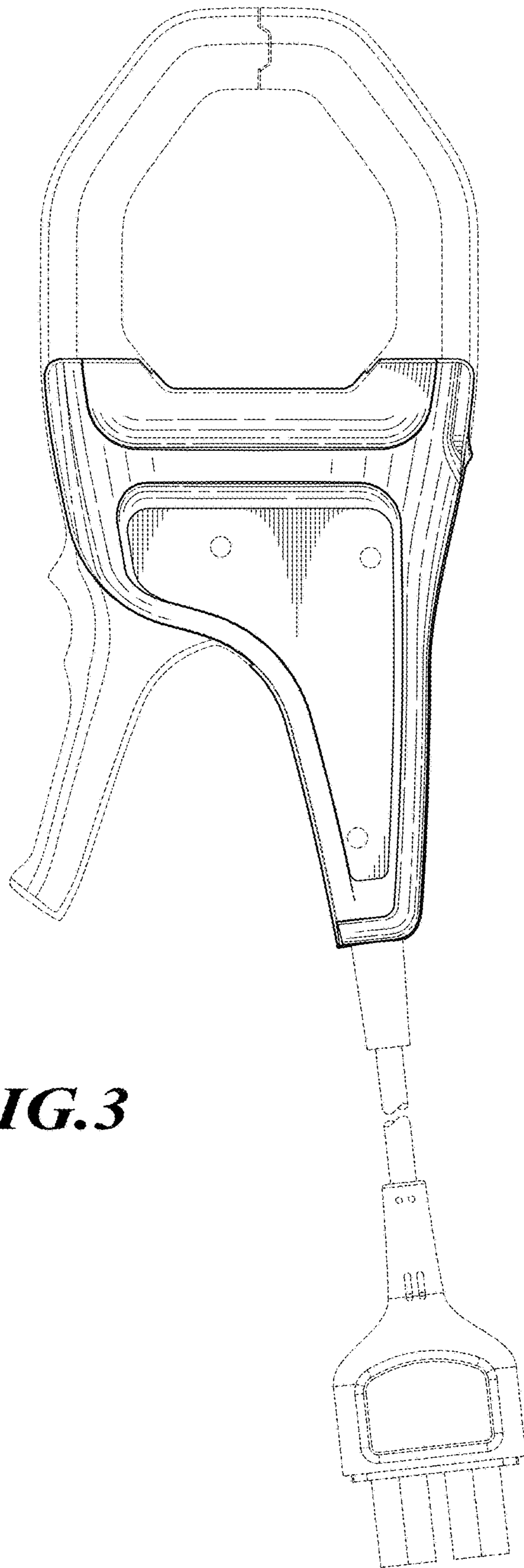


FIG. 3

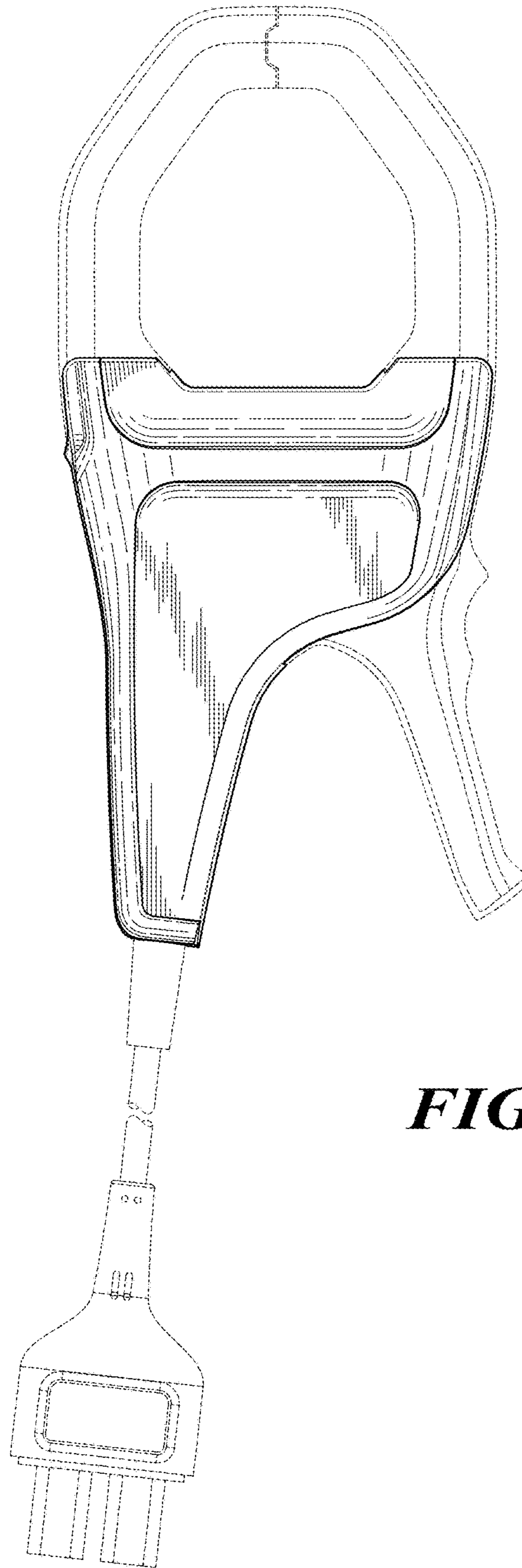


FIG. 4

FIG. 5

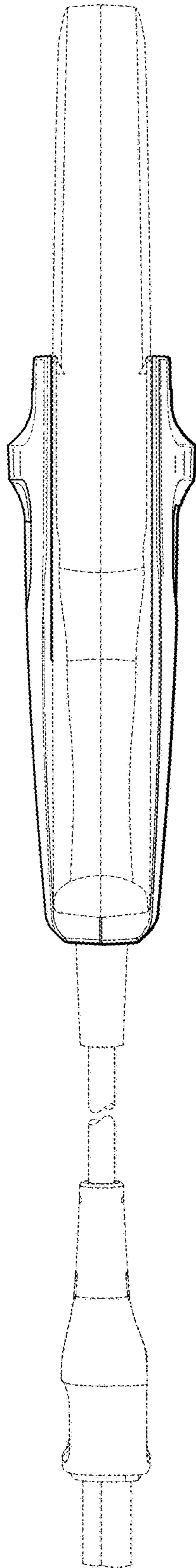
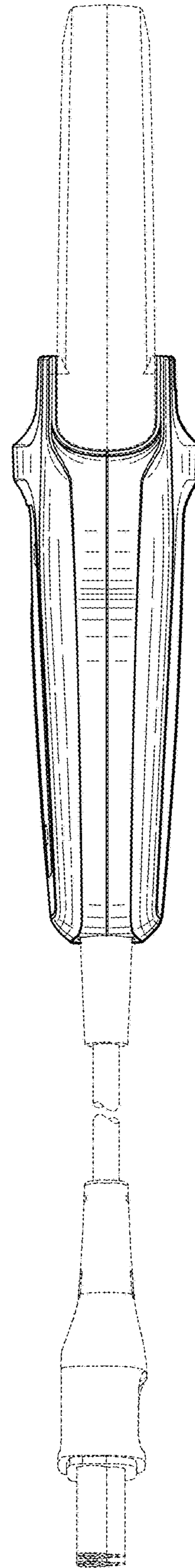


FIG. 6



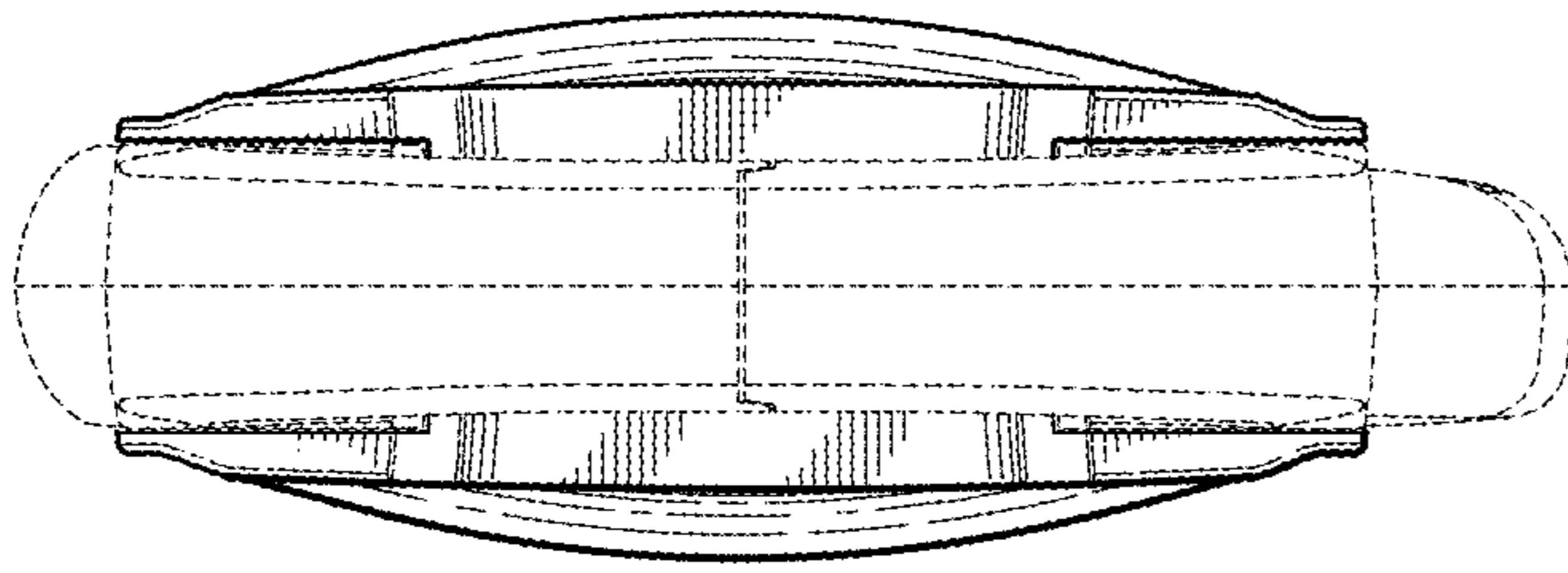


FIG. 7

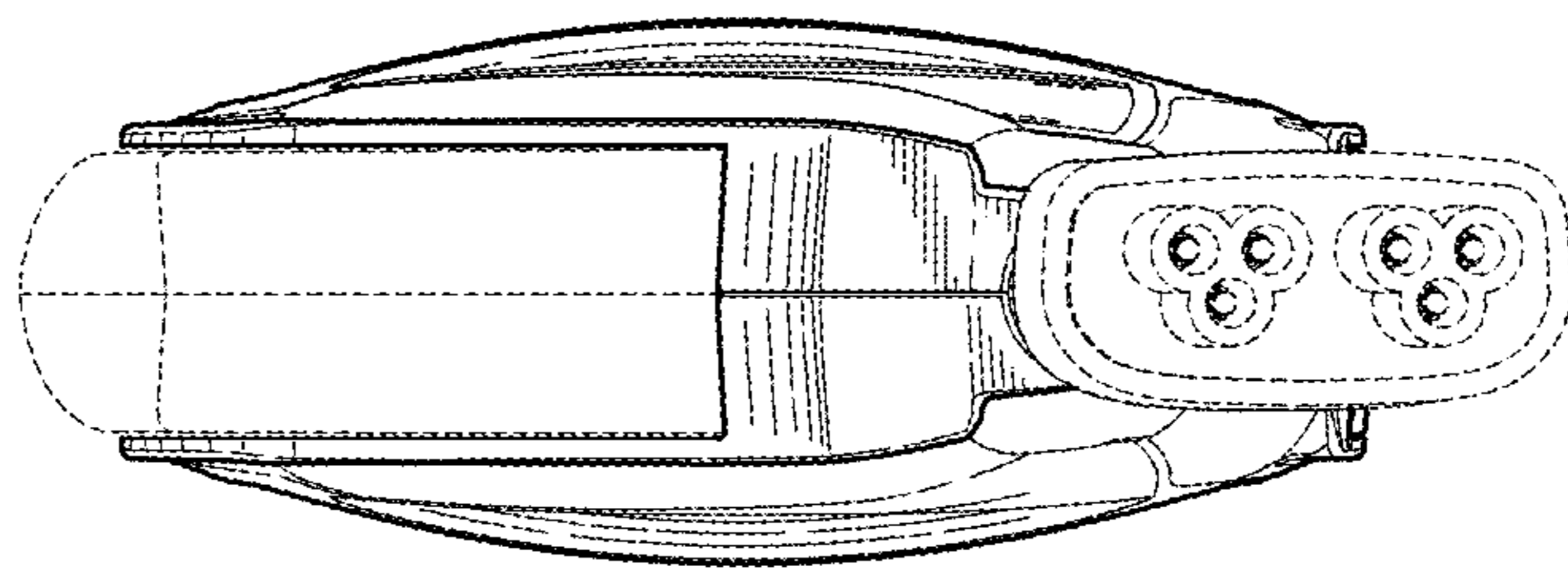


FIG. 8