



US00D793886S

(12) **United States Design Patent** (10) **Patent No.:** **US D793,886 S**  
**Ichikawa et al.** (45) **Date of Patent:** **\*\* Aug. 8, 2017**

(54) **VEHICLE NAVIGATION UNIT WITH VIDEO DISC PLAYER**

(71) Applicant: **Alpine Electronics, Inc.**, Tokyo (JP)

(72) Inventors: **Takashi Ichikawa**, Tokyo (JP); **Hideki Endo**, Tokyo (JP); **Mitsuhiro Yashiro**, Tokyo (JP)

(73) Assignee: **ALPINE ELECTRONICS, INC.**, Tokyo (JP)

(\*\*) Term: **15 Years**

(21) Appl. No.: **29/550,679**

(22) Filed: **Jan. 6, 2016**

(51) **LOC (10) Cl.** ..... **10-04**

(52) **U.S. Cl.**  
USPC ..... **D10/74; D10/65; D14/258**

(58) **Field of Classification Search**  
USPC ..... D12/192, 195, 415, 420; D14/496, D14/498-506, 154, 157, 168-171, D14/188-198, 257-258; 248/27.1, 27.3, 248/558; 455/347, 350; D8/353; D6/300, 309; D10/65, 74  
CPC ..... B60R 11/02; B60K 37/04; B60K 37/06; H04B 1/08; H04B 1/082  
See application file for complete search history.

(56) **References Cited**

**U.S. PATENT DOCUMENTS**

D439,227	S	*	3/2001	Okada	.....	D14/157
D517,538	S	*	3/2006	Chen	.....	D14/257
D547,308	S	*	7/2007	Aihara	.....	D14/258
D565,559	S	*	4/2008	Aihara	.....	D14/258
D608,230	S	*	1/2010	Sugita	.....	D10/65

D630,184	S	*	1/2011	Tomono	.....	D14/157
D653,132	S	*	1/2012	Shimizu	.....	D10/65
D673,472	S	*	1/2013	Sugita	.....	D10/65
8,360,370	B2	*	1/2013	Probasco	.....	H05K 5/0017 248/27.3
D680,095	S	*	4/2013	Tomono	.....	D14/258
D689,384	S	*	9/2013	Morikawa	.....	D10/65
D693,704	S	*	11/2013	Katsuno	.....	D10/65
D698,671	S	*	2/2014	Takahara	.....	D10/65
D713,400	S	*	9/2014	Kanou	.....	D14/258
D724,048	S	*	3/2015	Tomono	.....	D14/157
D724,049	S	*	3/2015	Funayama	.....	D14/157
D726,561	S	*	4/2015	Endo	.....	D10/65
D731,338	S	*	6/2015	Funayama	.....	D10/65
D731,907	S	*	6/2015	Funayama	.....	D10/65
2013/0175905	A1	*	7/2013	Sanlaville	.....	H04B 1/082 312/7.1

\* cited by examiner

*Primary Examiner* — Sandra Morris

(74) *Attorney, Agent, or Firm* — Brinks Gilson & Lione

(57) **CLAIM**

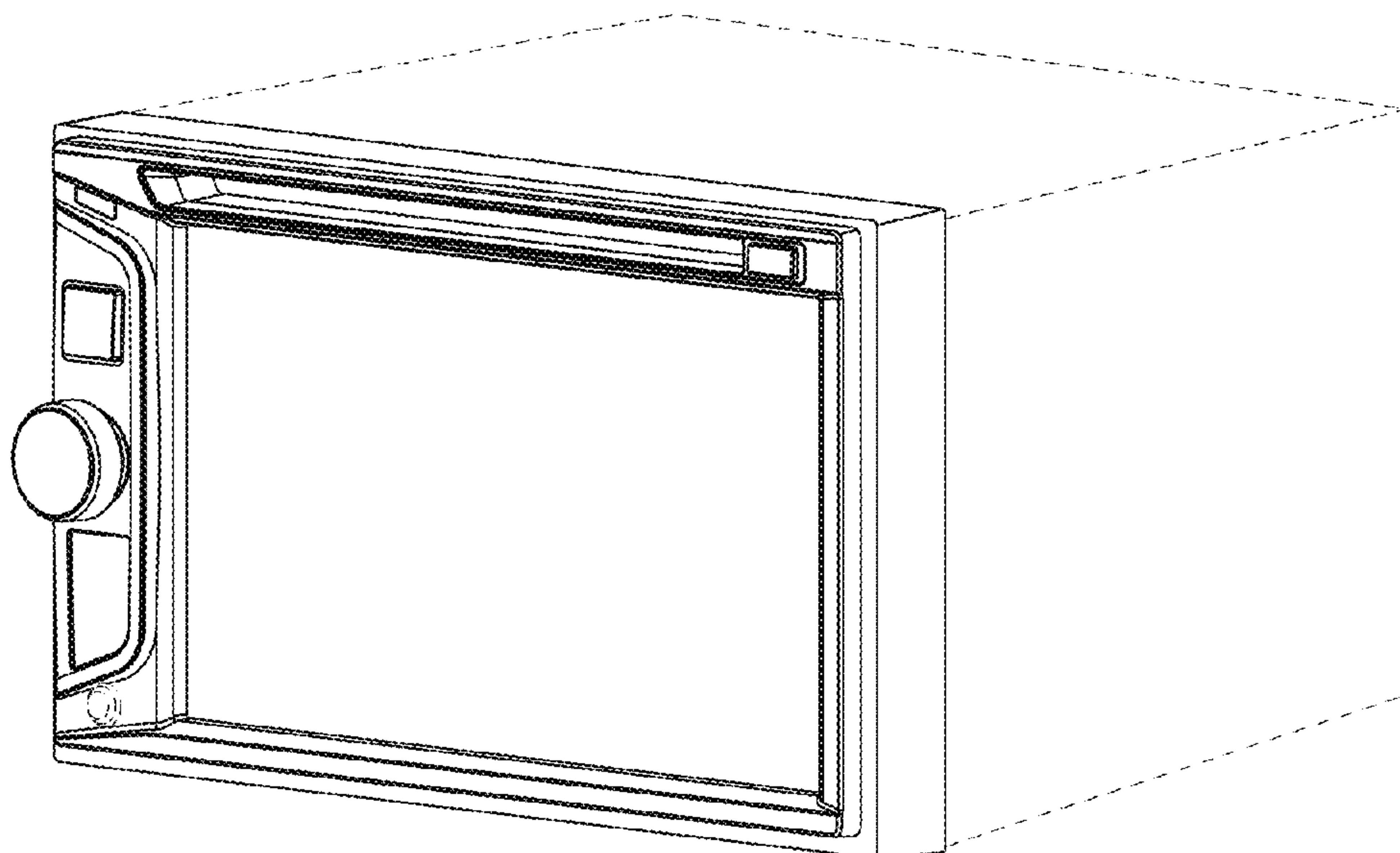
The ornamental design of the vehicle navigation unit with video disc player, as shown and described.

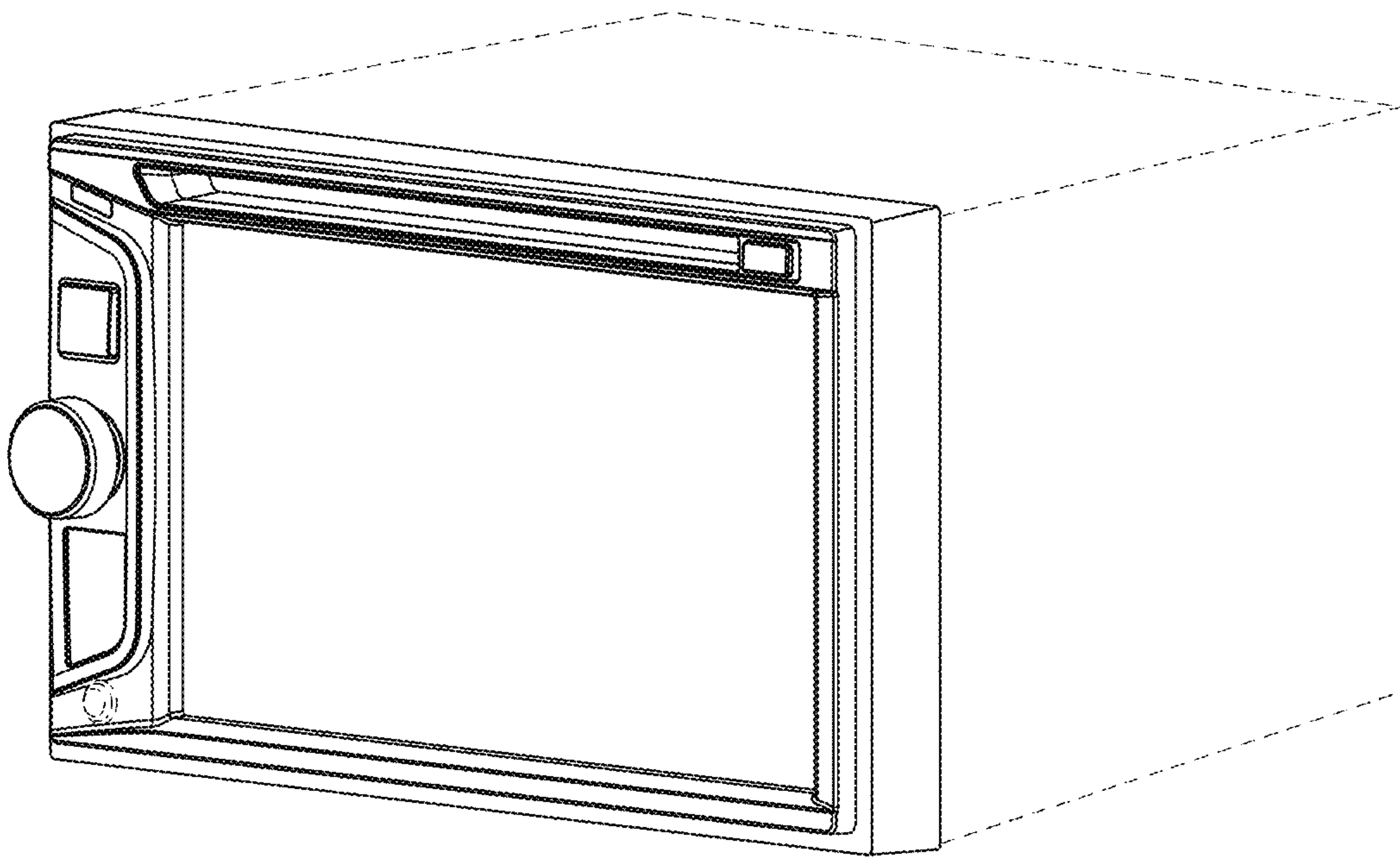
**DESCRIPTION**

FIG. 1 is a perspective view of a vehicle navigation unit with video disc player showing the new design;  
FIG. 2 is a front view thereof;  
FIG. 3 is a rear view thereof;  
FIG. 4 is a top view thereof;  
FIG. 5 is a bottom view thereof;  
FIG. 6 is a left-side view thereof; and,  
FIG. 7 is a right-side view thereof.

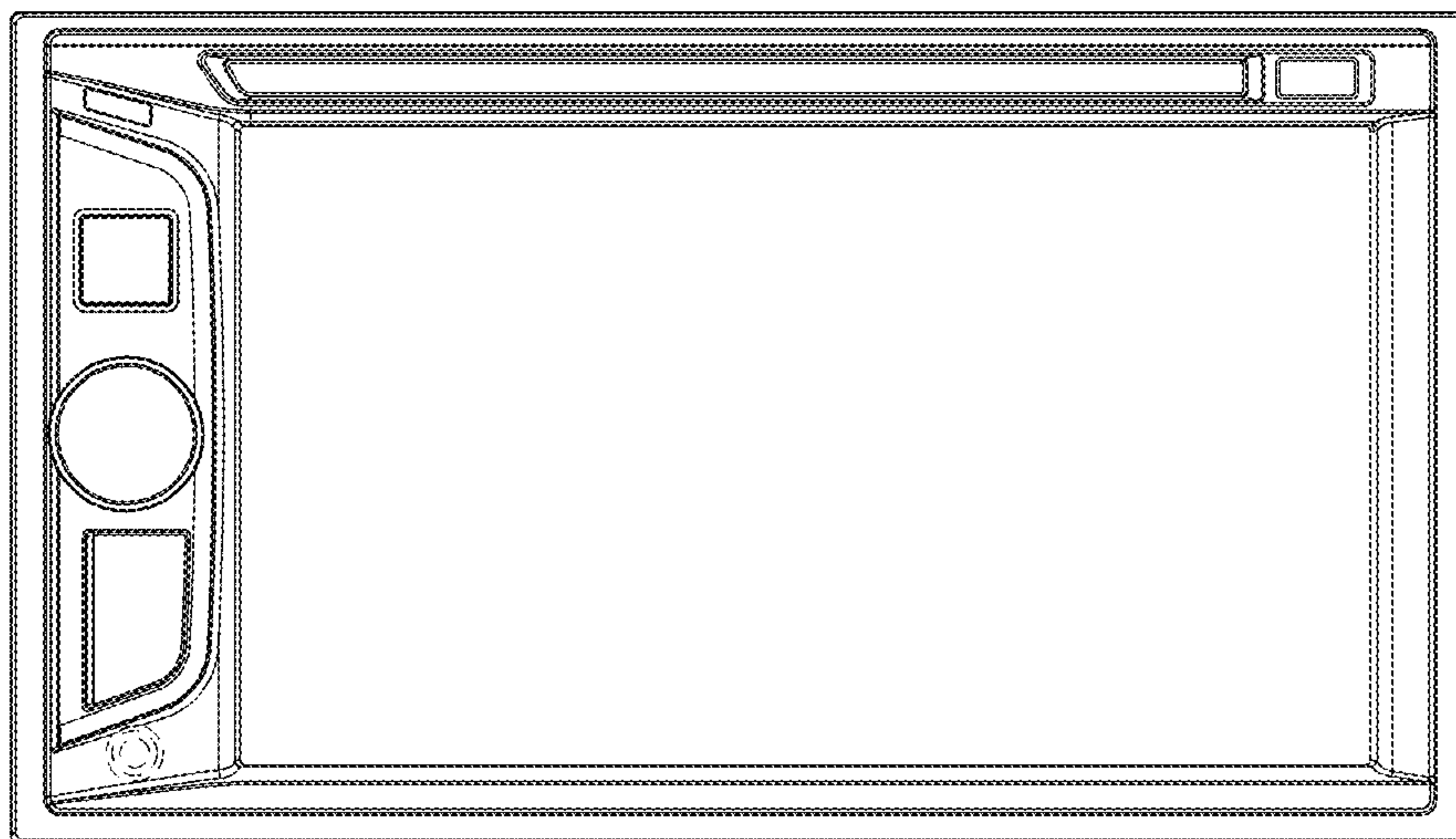
The broken lines are for environmental purposes only and do not form any part of the claimed design.

**1 Claim, 5 Drawing Sheets**

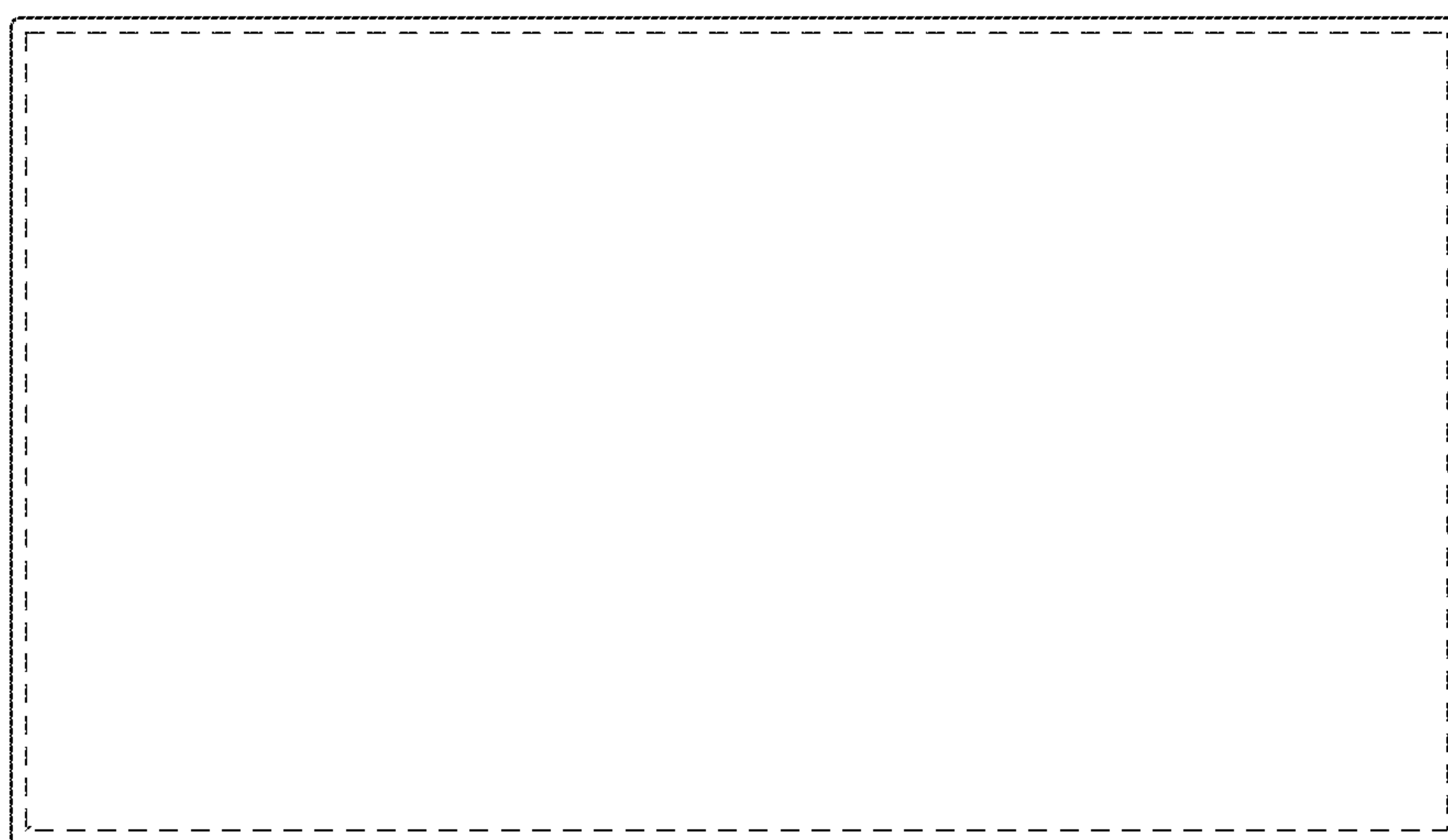




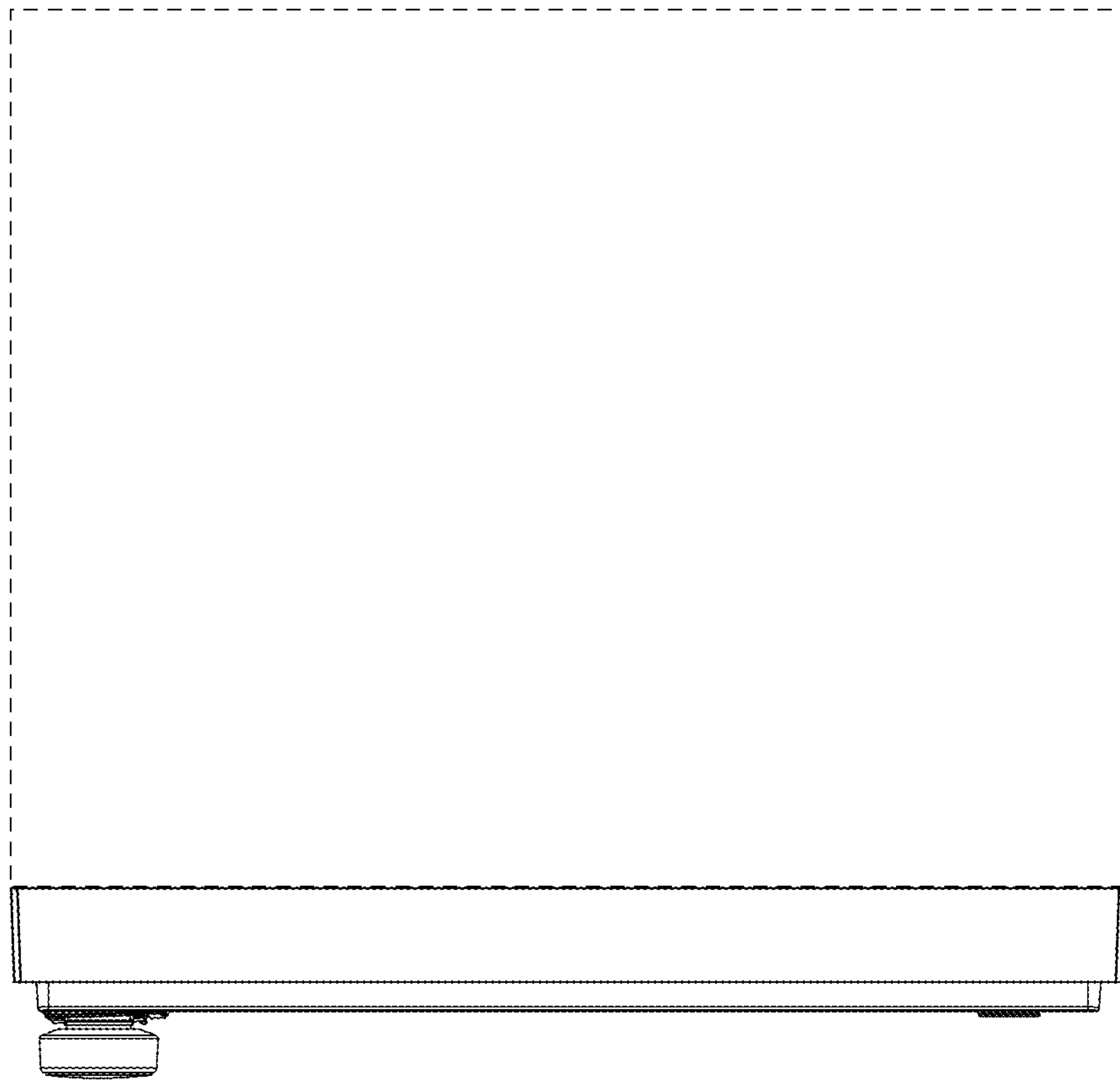
*FIG. 1*



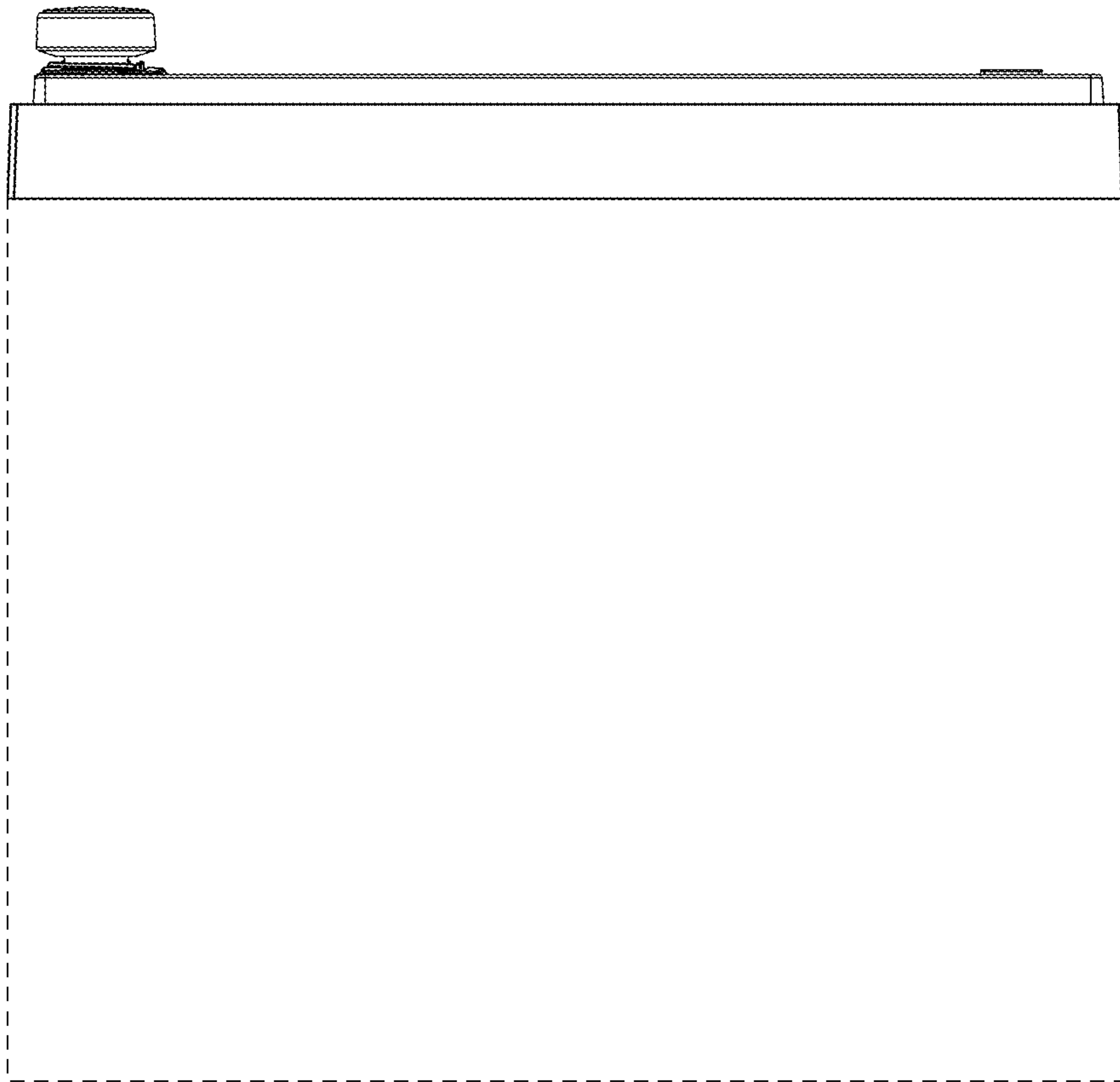
*FIG. 2*



*FIG. 3*



*FIG. 4*



*FIG. 5*



*FIG. 6*



*FIG. 7*