



US00D793885S

(12) **United States Design Patent**  
**Zhang et al.**

(10) **Patent No.:** **US D793,885 S**

(45) **Date of Patent:** **\*\* Aug. 8, 2017**

(54) **DIGITAL SPEED DRUM GAUGE**

D339,376 S \* 9/1993 Abe ..... D10/73  
D412,675 S \* 8/1999 Adler ..... D10/73

(71) Applicants: **Yanchen Zhang**, San Clemente, CA  
(US); **Meng Zhang**, San Clemente, CA  
(US)

\* cited by examiner

(72) Inventors: **Yanchen Zhang**, San Clemente, CA  
(US); **Meng Zhang**, San Clemente, CA  
(US)

*Primary Examiner* — Antoine D Davis

(74) *Attorney, Agent, or Firm* — Let Z. Kwan, Esq.

(\*\*) Term: **15 Years**

(57) **CLAIM**

(21) Appl. No.: **29/554,786**

The ornamental design for a digital speed drum gauge, as shown and described.

(22) Filed: **Feb. 15, 2016**

(51) **LOC (10) Cl.** ..... **10-04**

(52) **U.S. Cl.** ..... **D10/73**  
USPC .....

(58) **Field of Classification Search**  
USPC ..... D10/73  
CPC ..... G01B 5/0025; G01B 5/0028  
See application file for complete search history.

**DESCRIPTION**

FIG. 1 is a top, left perspective view of a digital speed drum gauge showing our new design;  
FIG. 2 is right side view thereof;  
FIG. 3 is a top plan view thereof;  
FIG. 4 is a bottom plan head on view thereof;  
FIG. 5 is a left side view thereof;  
FIG. 6 is a rear end view thereof; and,  
FIG. 7 is a head on view thereof.

(56) **References Cited**

**U.S. PATENT DOCUMENTS**

4,407,073 A \* 10/1983 Nilsson ..... G01B 5/14  
33/203

**1 Claim, 4 Drawing Sheets**

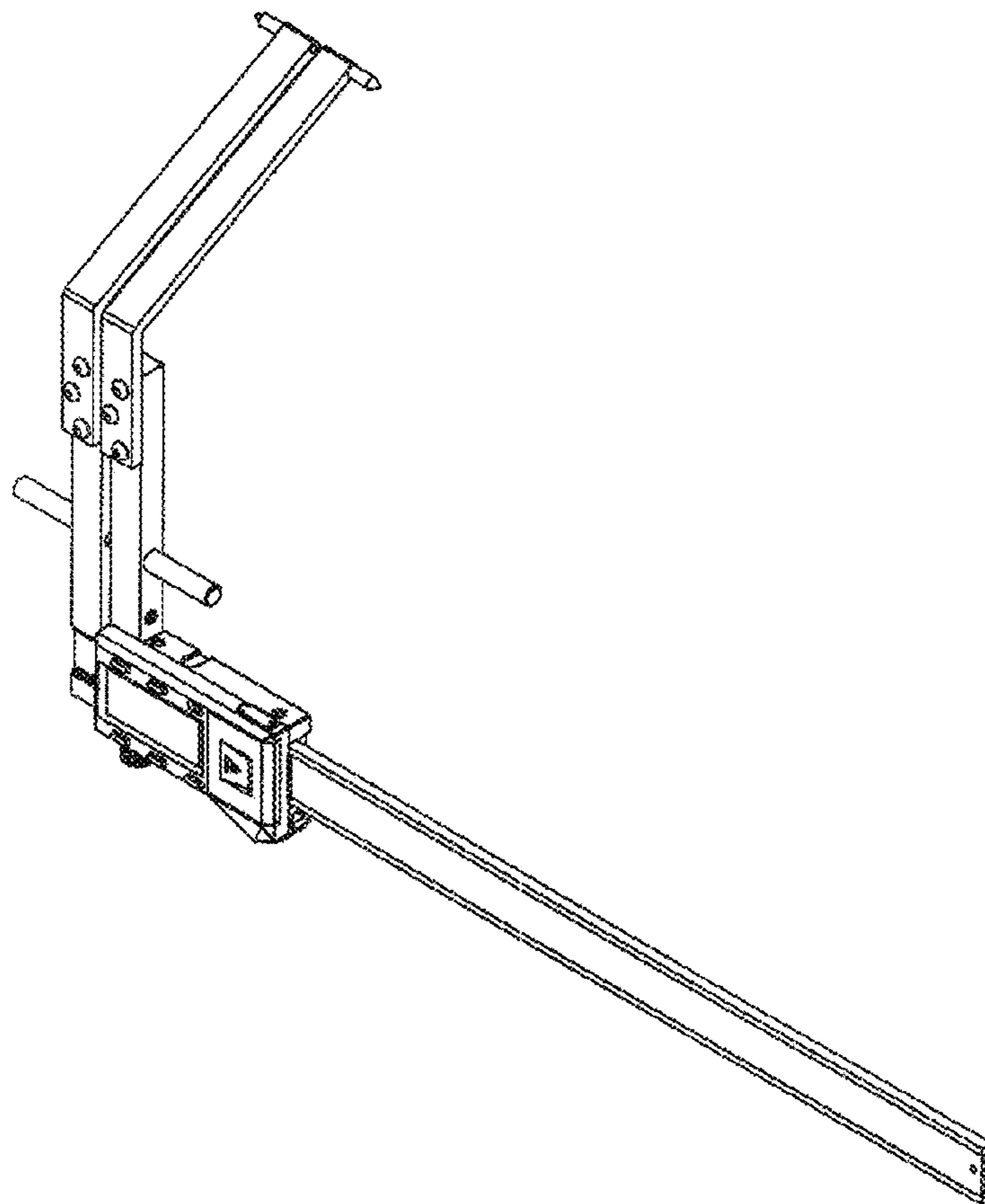
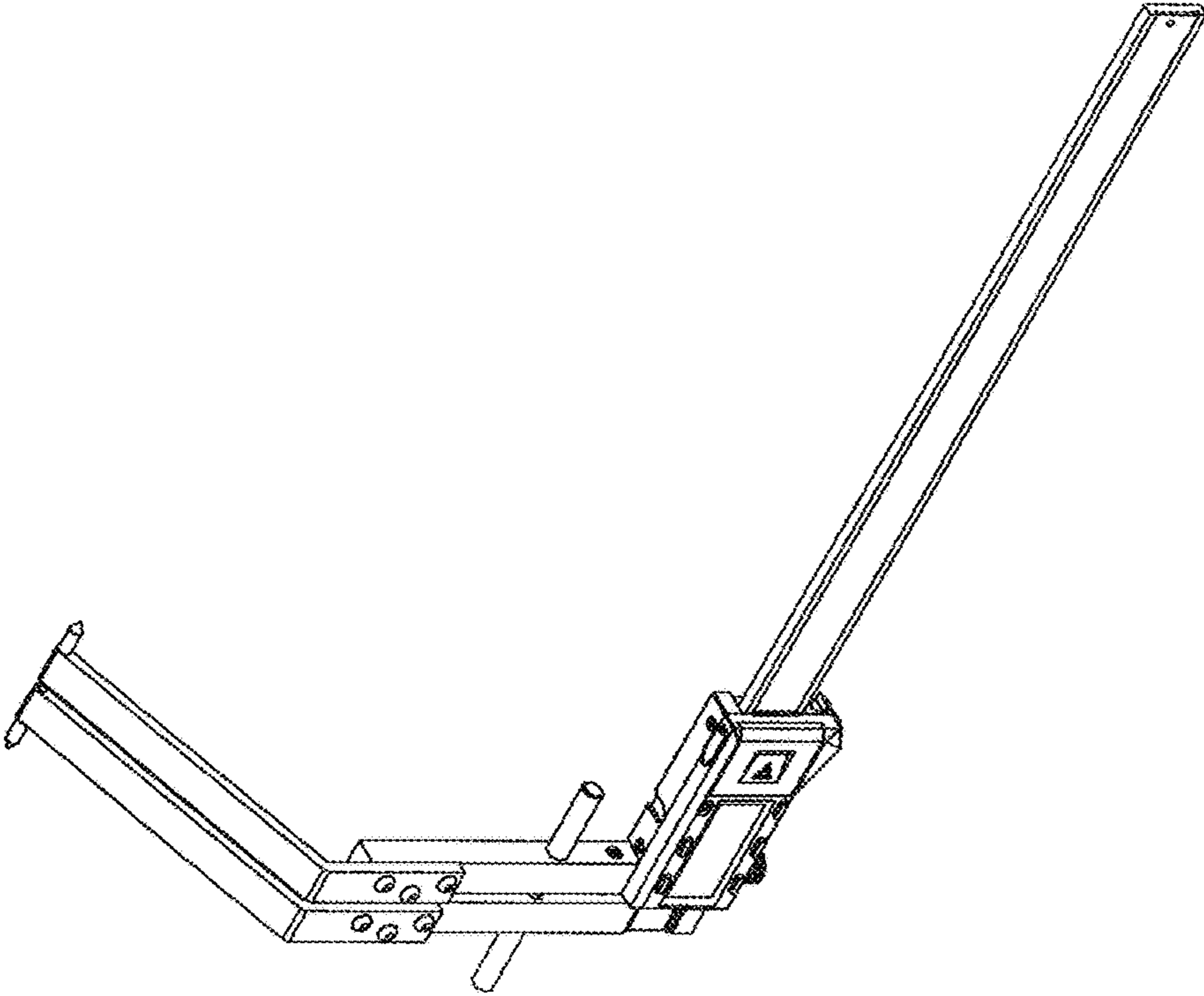
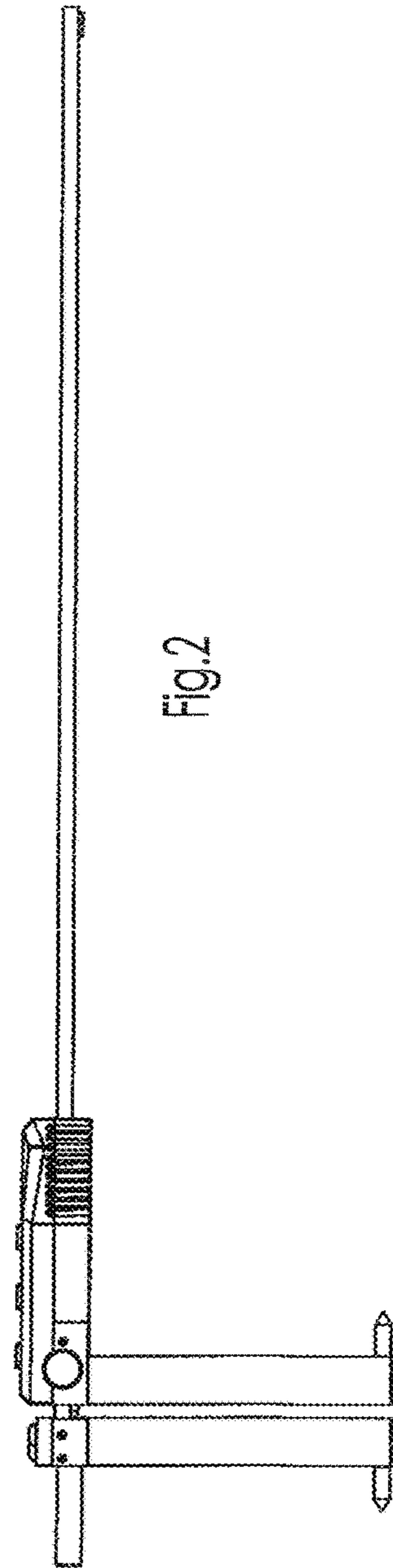
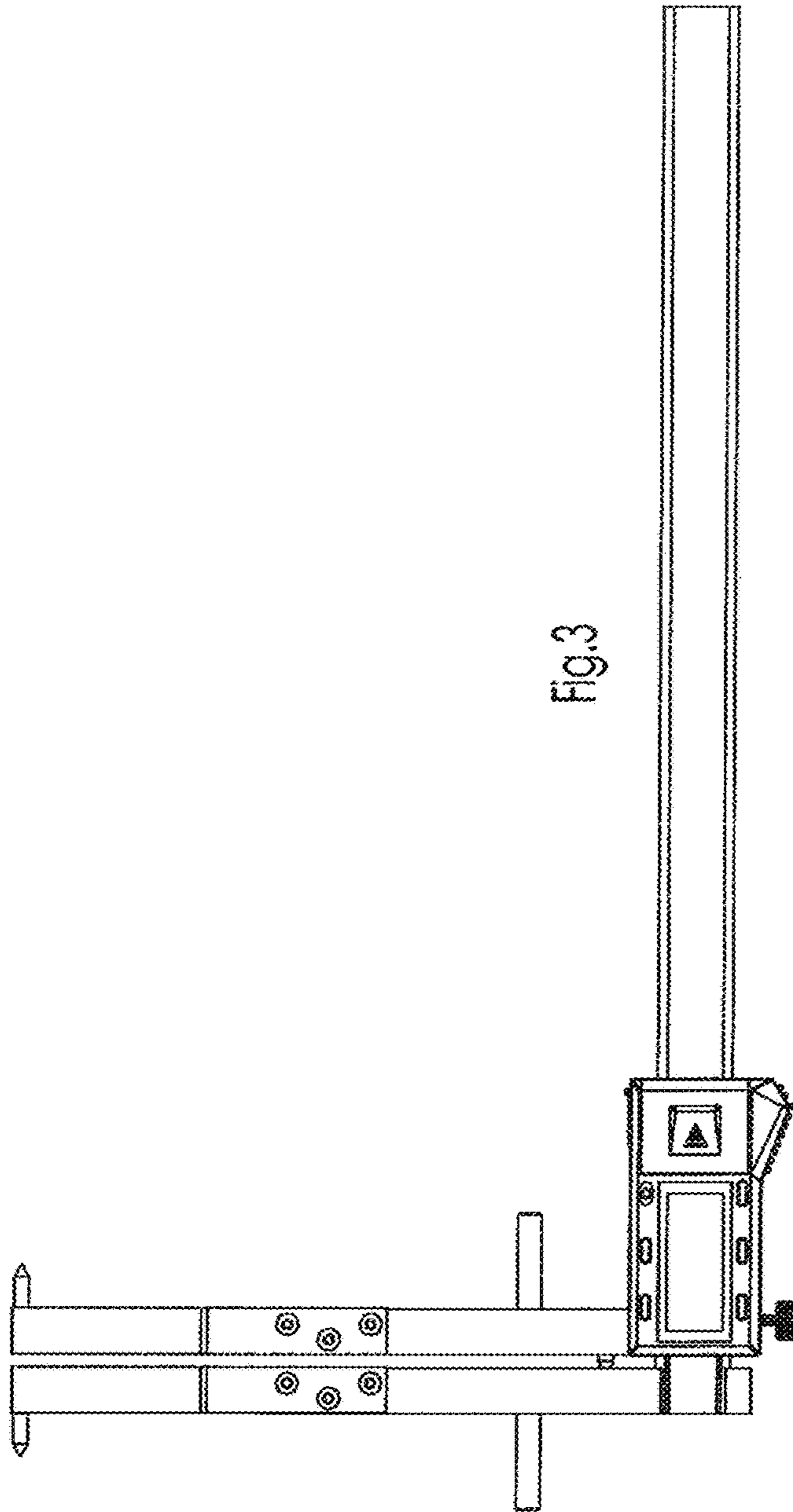
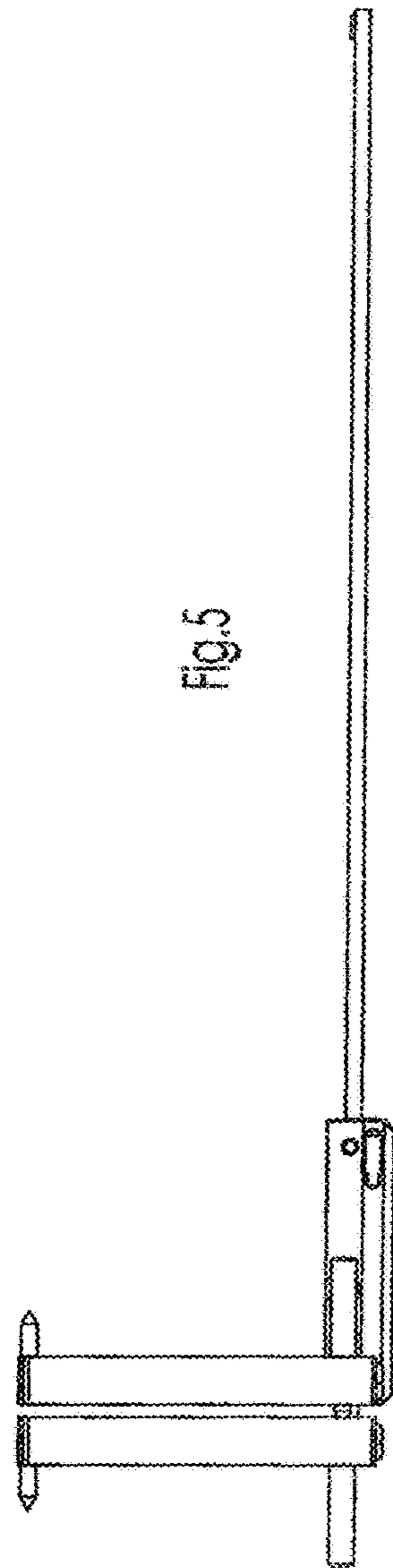
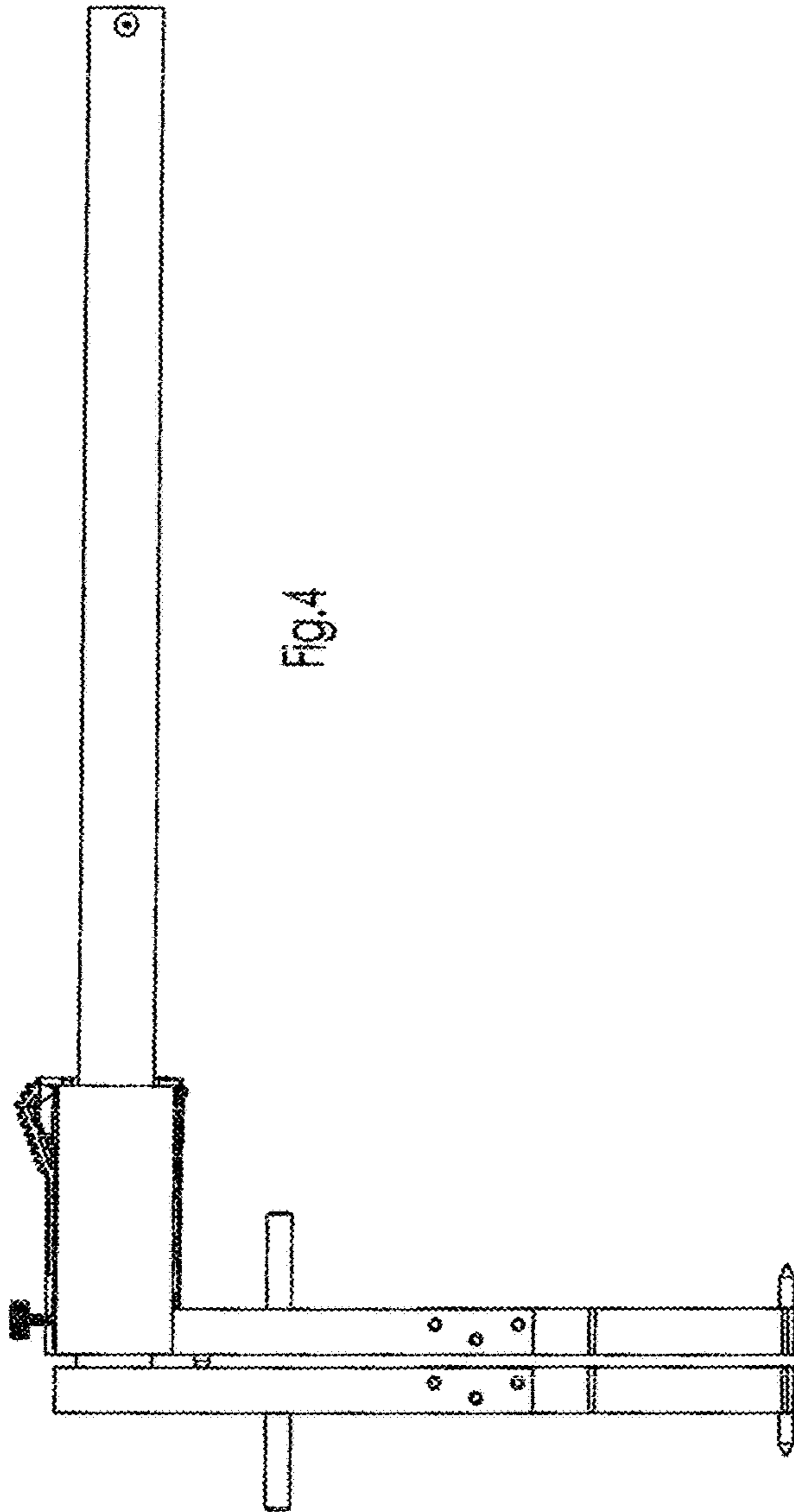


FIG. 1







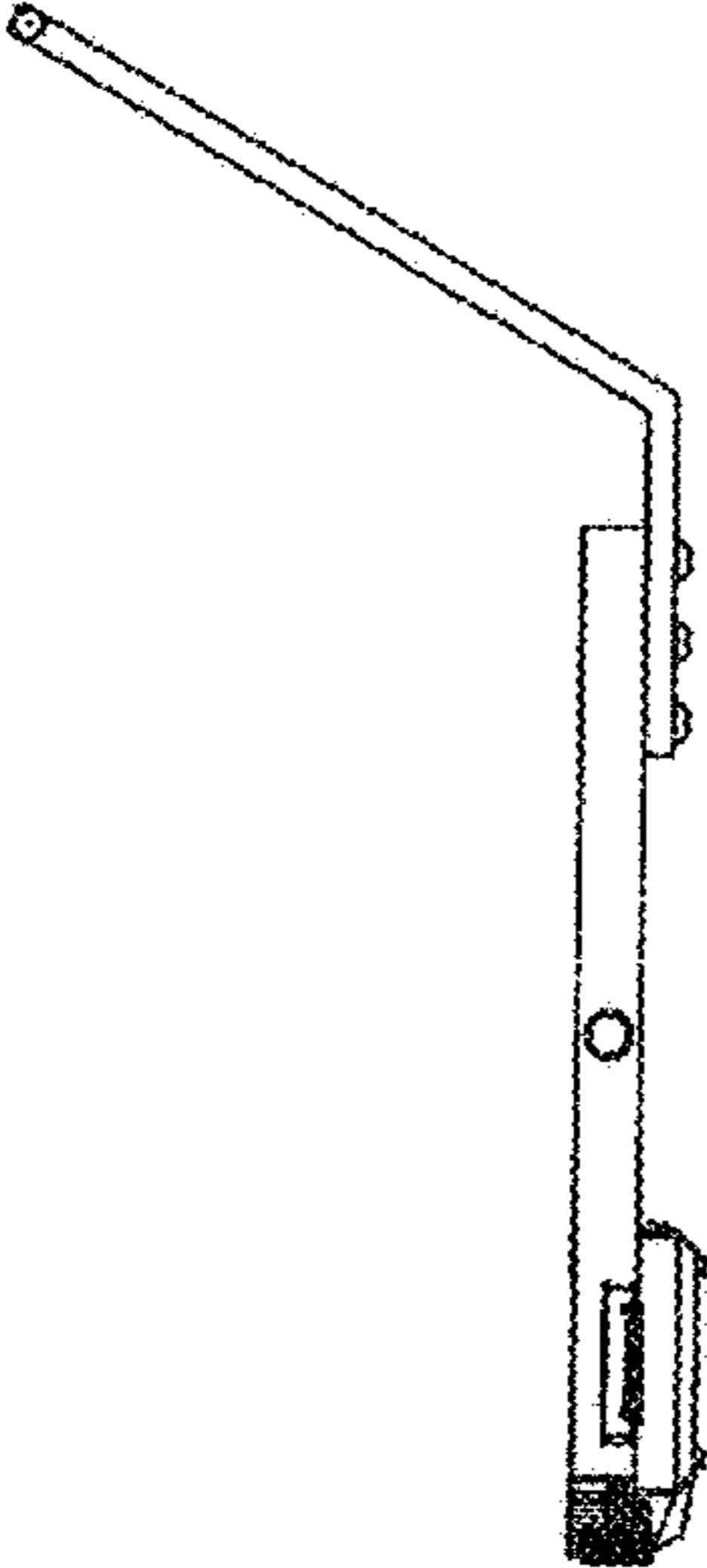


FIG. 6

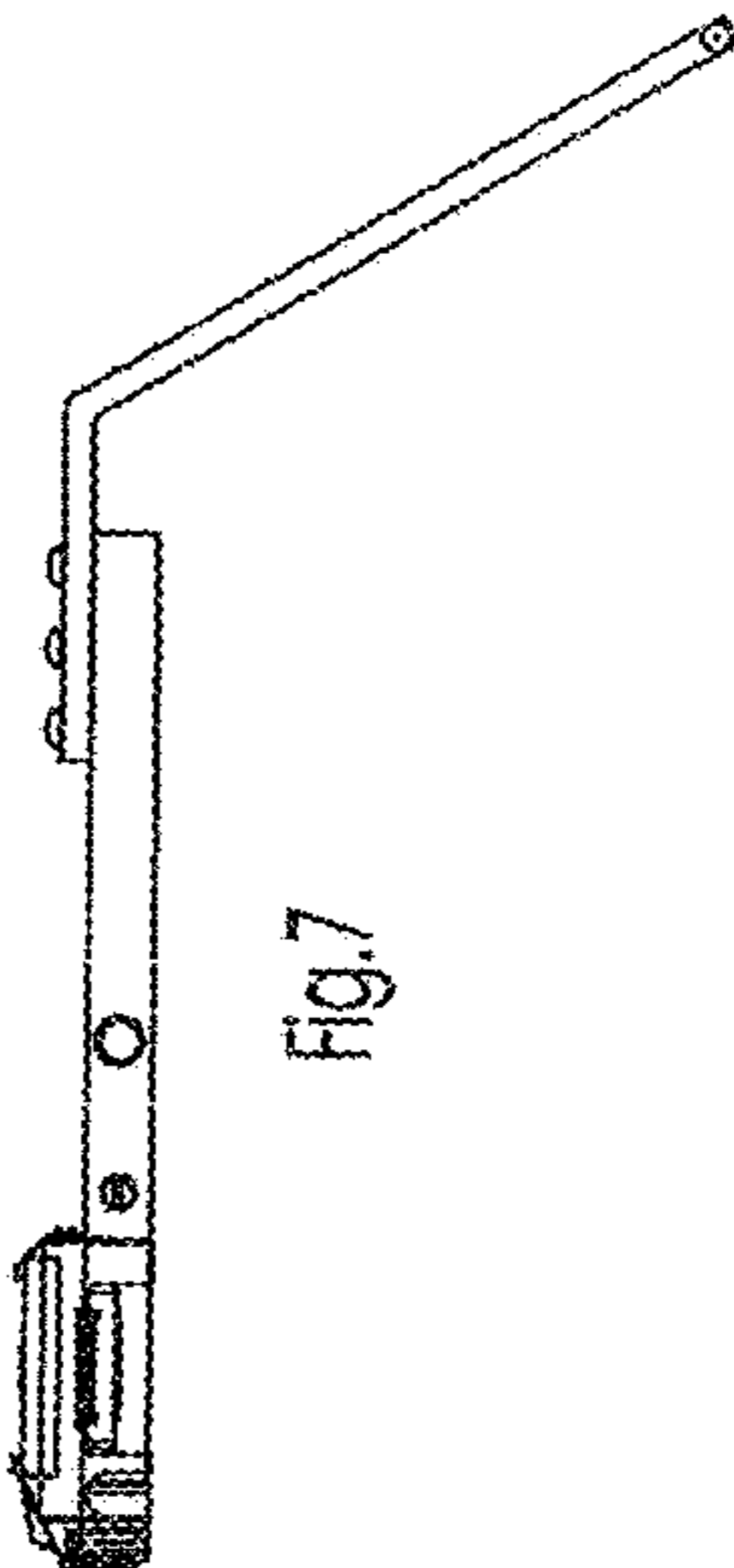


FIG. 7