



US00D793884S

(12) **United States Design Patent** (10) **Patent No.:** **US D793,884 S**
Verity et al. (45) **Date of Patent:** **** Aug. 8, 2017**

(54) **HANDHELD DEVICE**
(71) Applicant: **FLIR Detection, Inc.**, Stillwater, OK (US)
(72) Inventors: **Jeffrey A. Verity**, Oakridge, TN (US); **Xuan Song**, Jiangsu (CN); **Zhenmei Mao**, Shanghai (CN)
(73) Assignee: **FLIR Detection, Inc.**, Stillwater, OK (US)
(**) Term: **15 Years**
(21) Appl. No.: **29/545,626**
(22) Filed: **Nov. 13, 2015**
(51) **LOC (10) Cl.** **10-04**
(52) **U.S. Cl.**
USPC **D10/47; D10/78**
(58) **Field of Classification Search**
USPC D10/78, 47
CPC G01T 1/006; G01T 1/02; G01T 1/023; G01T 1/026; G01T 1/04; G01T 1/06; G01T 1/08; G01T 1/10; G01T 1/105; G01T 1/11; G01T 1/115; G01T 1/12; G01T 1/14; G01T 1/142; G01T 1/15; G01T 1/16; G01T 1/1603; G01T 1/1606; G01T 1/161
See application file for complete search history.

(56) **References Cited**
U.S. PATENT DOCUMENTS
D445,817 S 7/2001 Okuley
6,486,473 B2 11/2002 Salapow et al.
D466,540 S 12/2002 Lannestedt et al.
D472,911 S 4/2003 Bielefeld
D493,733 S 8/2004 Chen
D540,838 S 4/2007 Aronsson et al.
7,236,243 B2 6/2007 Beecroft et al.
7,250,603 B1 7/2007 Nugent

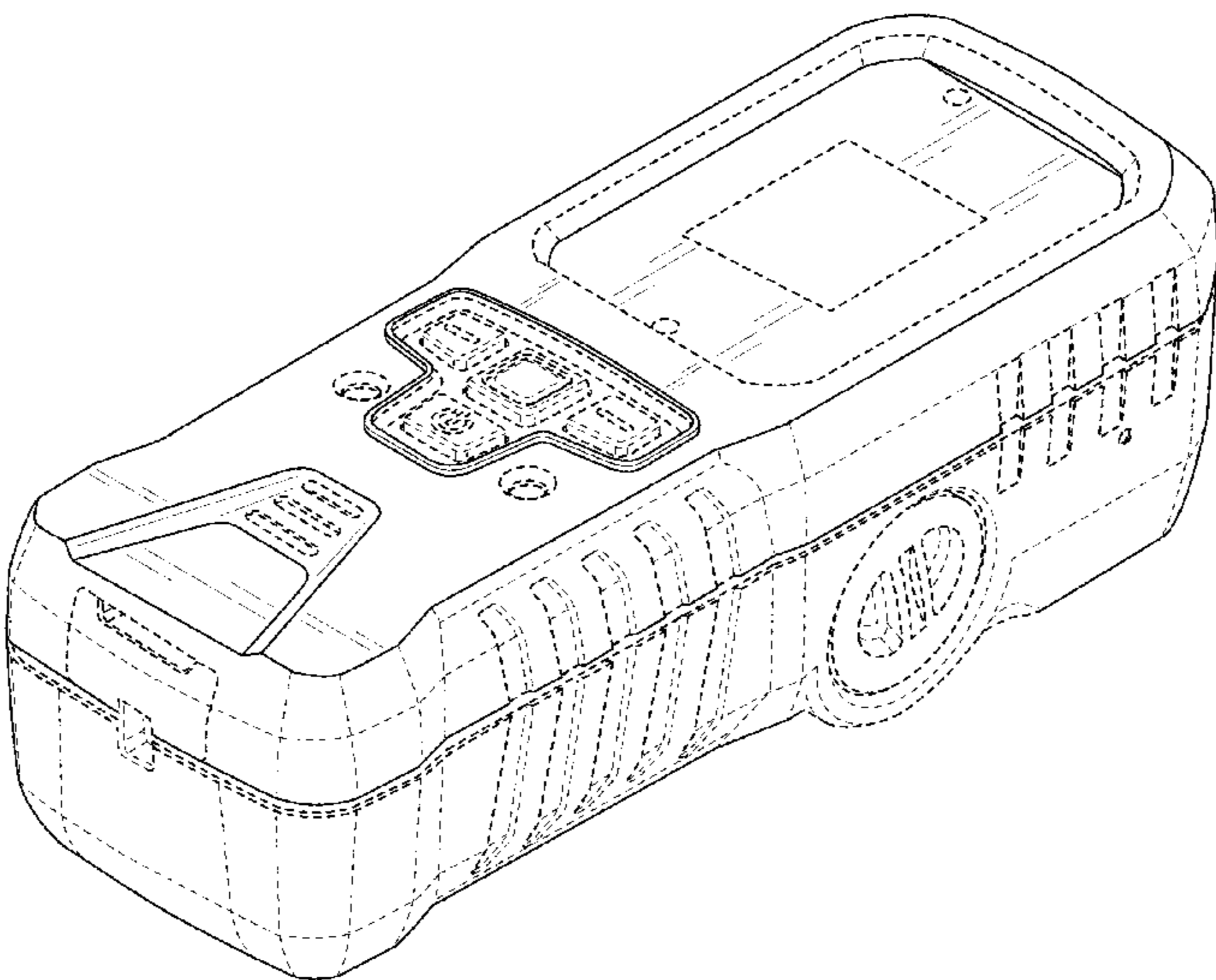
D585,927 S 2/2009 Sheard et al.
D599,392 S 9/2009 Hamrelius
D658,222 S 4/2012 Elrod et al.
D665,440 S 8/2012 Sigward
D666,928 S 9/2012 Elrod
D667,040 S 9/2012 Holmes
D674,486 S 1/2013 Onuma
D677,185 S * 3/2013 Zhou D10/78
D677,298 S 3/2013 Hällgren
D679,307 S 4/2013 Wu
D684,876 S * 6/2013 Laurino D10/78
D692,335 S * 10/2013 Waaler D10/78
D701,130 S * 3/2014 Laurino D10/78
D710,424 S 8/2014 Hällgren
D723,605 S 3/2015 Palm
D731,339 S * 6/2015 Laurino D10/78
D748,510 S * 2/2016 Zhou D10/78
2014/0002668 A1 1/2014 Nguyen et al.
2014/0028854 A1 1/2014 Heinke et al.

* cited by examiner
Primary Examiner — Antoine D Davis
(74) *Attorney, Agent, or Firm* — Haynes and Boone, LLP

(57) **CLAIM**
The ornamental design for a handheld device, as shown and described.

DESCRIPTION
FIG. 1 is a front-left-bottom perspective view of a handheld device embodying the new design; FIG. 2 is a front elevational view thereof; FIG. 3 is a rear elevational view thereof; FIG. 4 is a right side view thereof; FIG. 5 is a left side view thereof; FIG. 6 is a top plan view thereof; and, FIG. 7 is a bottom plan view thereof. The broken lines in the figures are shown for the purpose of illustrating portions of the handheld device and/or environmental matter and form no part of the claimed design.

1 Claim, 7 Drawing Sheets



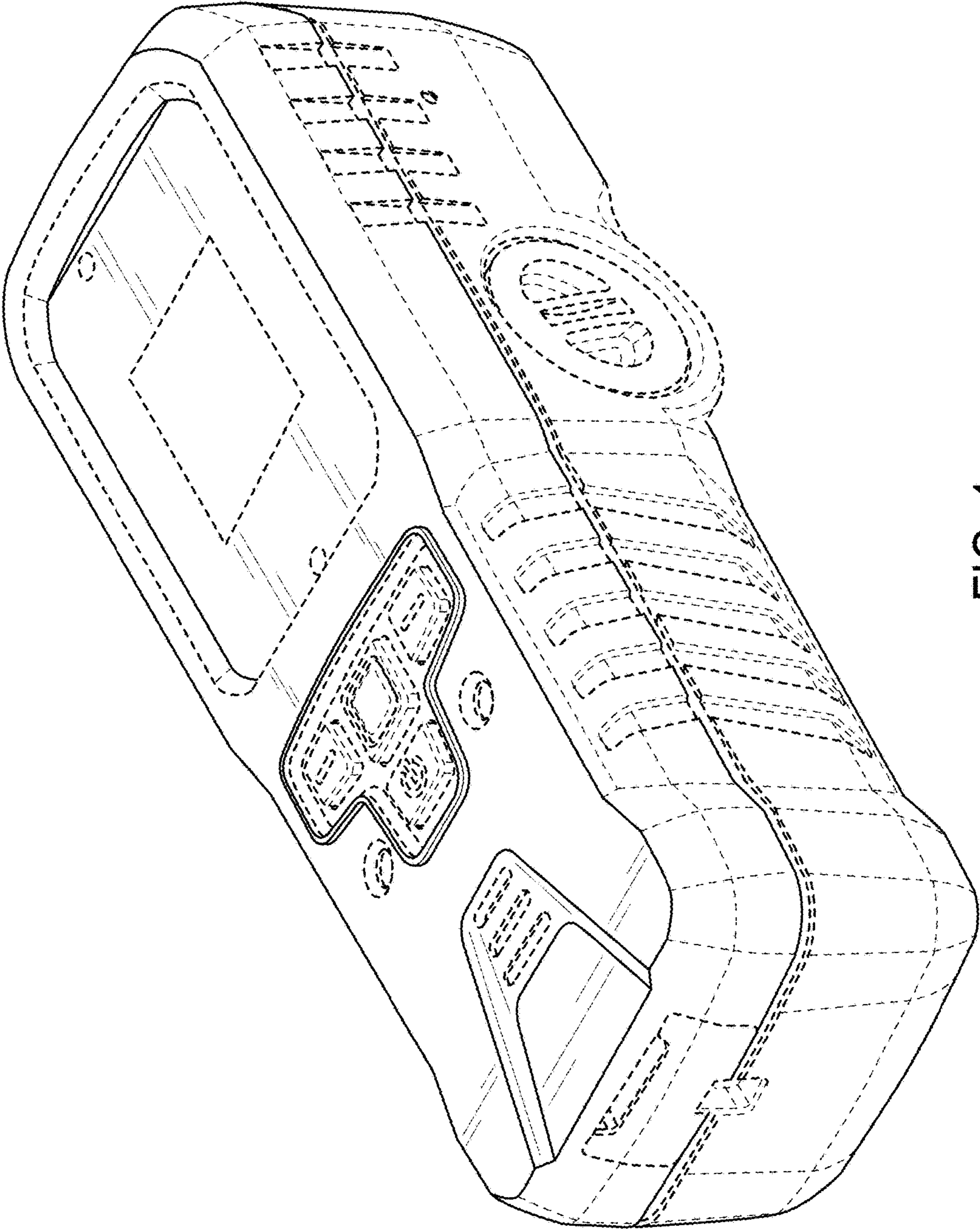


FIG. 1

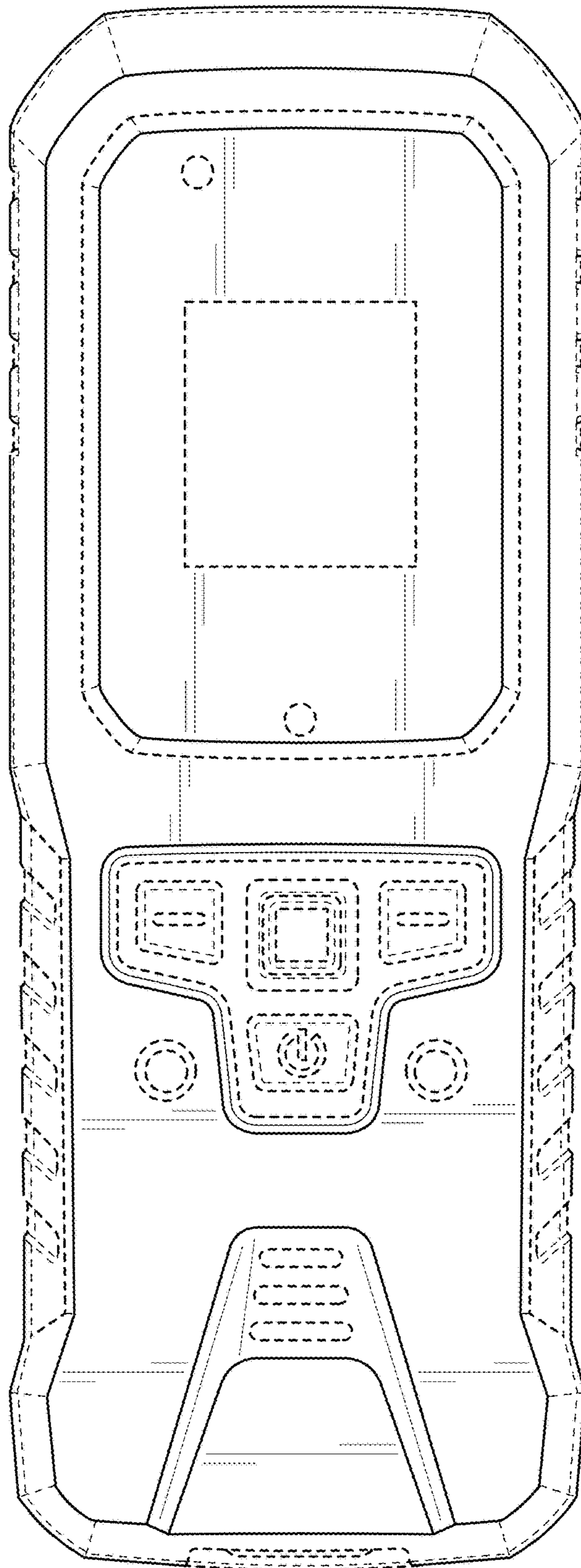


FIG. 2

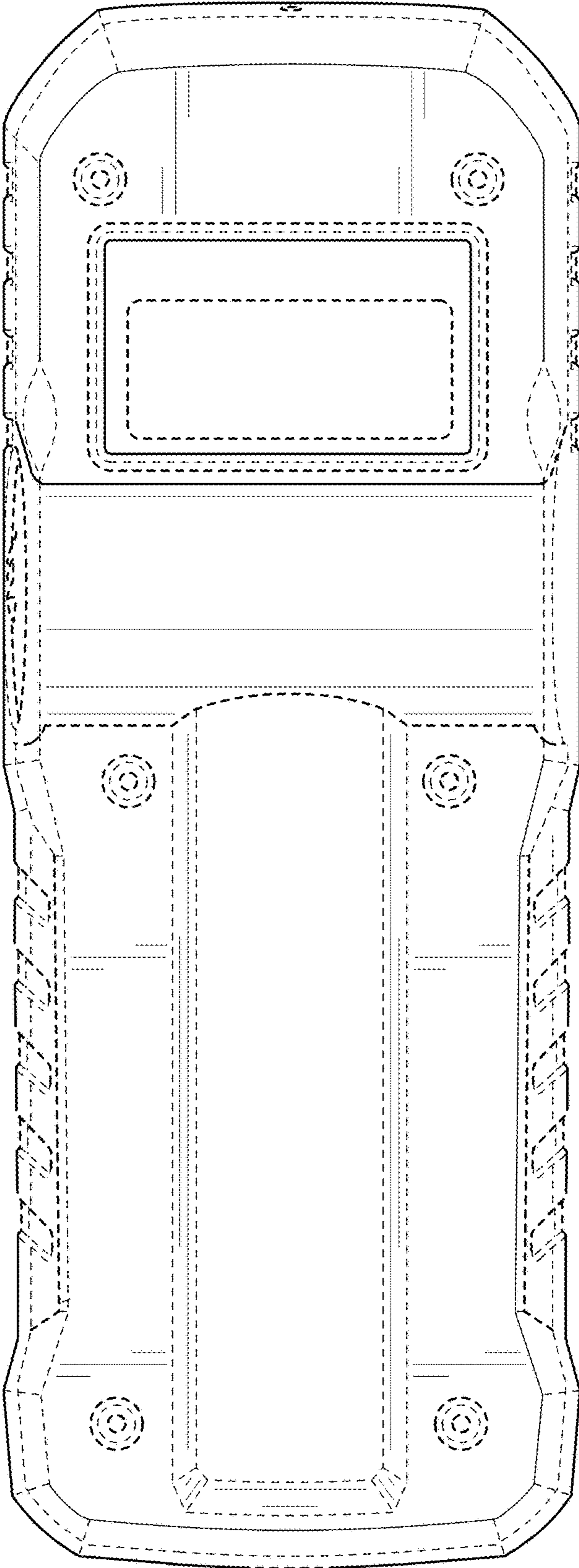


FIG. 3

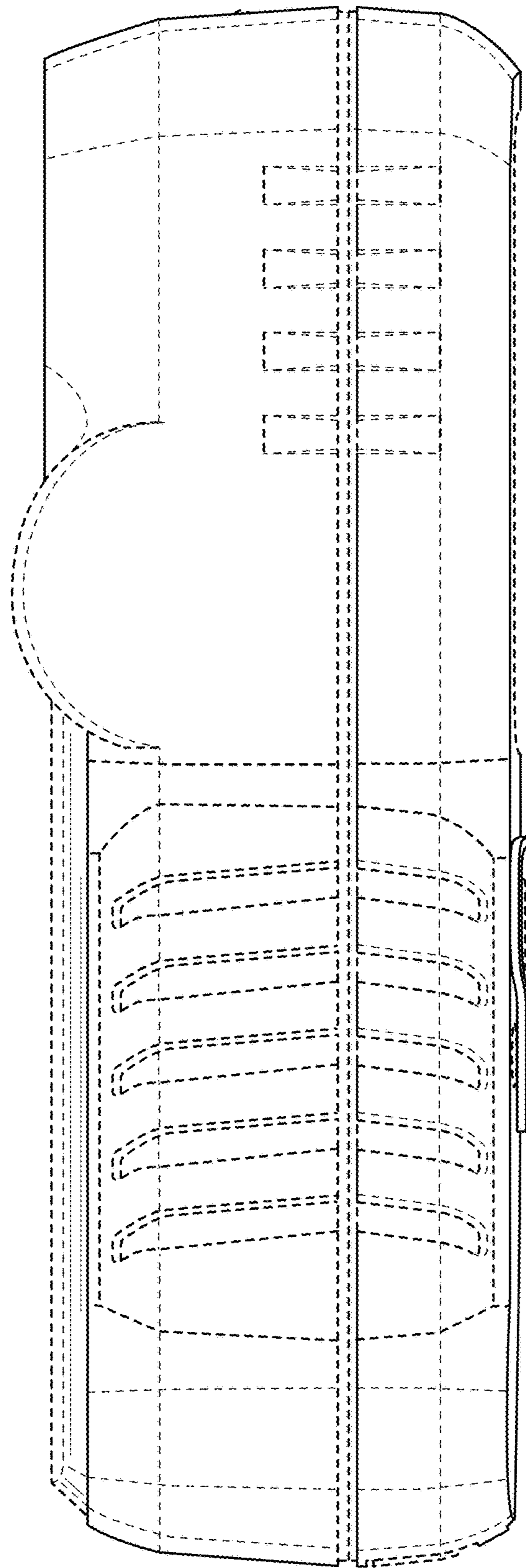


FIG. 4

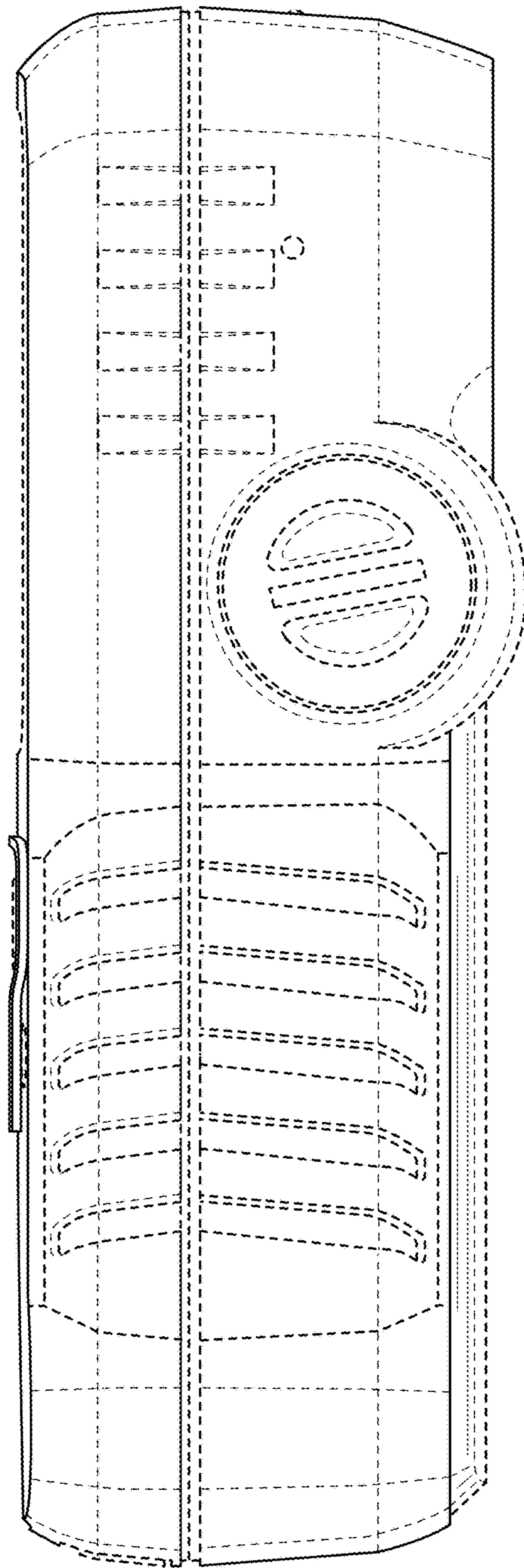


FIG. 5

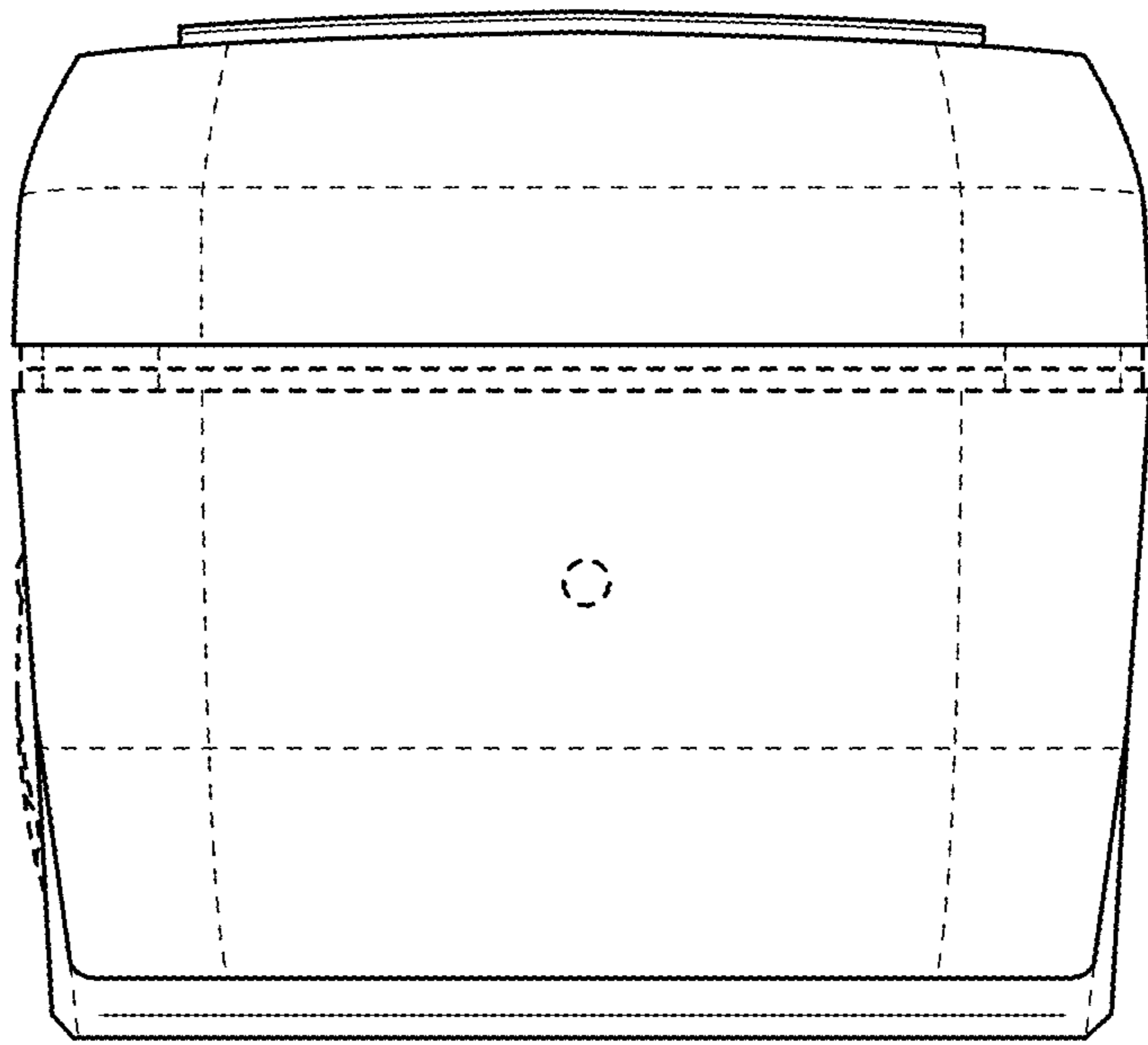


FIG. 6

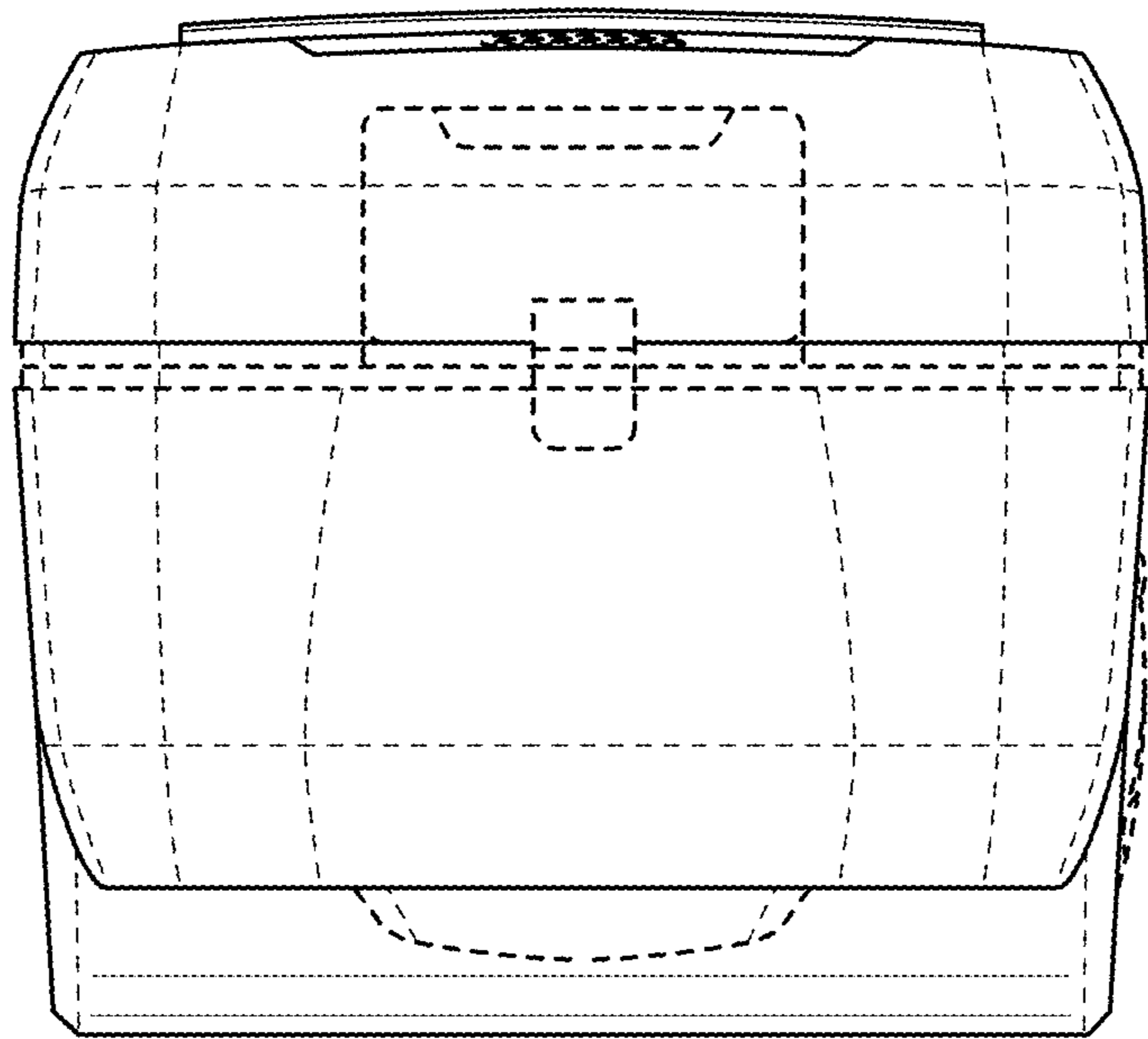


FIG. 7