



US00D793880S

(12) **United States Design Patent** (10) **Patent No.:** **US D793,880 S**  
**Takahashi et al.** (45) **Date of Patent:** **\*\* Aug. 8, 2017**

(54) **WRIST WATCH**

(71) Applicant: **CITIZEN WATCH CO., LTD.**, Tokyo (JP)

(72) Inventors: **Yasushi Takahashi**, Tokyo (JP); **Hideki Inoue**, Musashino (JP)

(73) Assignee: **Citizen Watch Co., Ltd.**, Tokyo (JP)

(\*\*) Term: **15 Years**

(21) Appl. No.: **29/558,057**

(22) Filed: **Mar. 15, 2016**

(51) **LOC (10) Cl.** ..... **10-02**

(52) **U.S. Cl.**  
USPC ..... **D10/39; D10/30**

(58) **Field of Classification Search**  
USPC ..... D10/1-29, 30-39, 122-132; D11/1, 2, 3, D11/4  
CPC ..... G04B 19/00; G04B 19/04; G04B 19/10; G04B 19/34; G04B 19/166; G04B 19/23; G04B 19/235; G04B 19/20; G04B 37/00; G04B 37/0008; G04B 37/0058; G04B 37/12; G04B 45/00; G04B 45/0069; G04B 45/0076

See application file for complete search history.

(56) **References Cited**

**U.S. PATENT DOCUMENTS**

D339,304 S *	9/1993	Kawashima	.....	D10/30
D350,702 S *	9/1994	Schwarz	.....	D10/126
D373,957 S *	9/1996	Mareschal	.....	D10/30
D379,324 S *	5/1997	Osit	.....	D10/128
D379,768 S *	6/1997	Osit	.....	D10/30
D399,763 S *	10/1998	Rabassa	.....	D10/30
D412,287 S *	7/1999	Cattin	.....	D10/30
D449,005 S *	10/2001	Ando	.....	D10/30
D534,084 S *	12/2006	Linde	.....	D10/39
D543,886 S *	6/2007	Pandel	.....	D10/128
D551,101 S *	9/2007	Nataf	.....	D10/38

D569,275 S	5/2008	Moriai	
D656,844 S *	4/2012	Clerc	..... D10/38
D663,222 S *	7/2012	Nakai	..... D10/39
D706,144 S *	6/2014	Monachon	..... D10/39
D715,660 S *	10/2014	Inoue	..... D10/39
D720,239 S *	12/2014	Mijatovic	..... D10/32
D735,060 S *	7/2015	Monachon	..... D10/32
D744,367 S *	12/2015	Lalo	..... D10/128
D754,549 S *	4/2016	Takahashi	..... D10/128
D761,129 S *	7/2016	Calvani	..... D10/126

**FOREIGN PATENT DOCUMENTS**

CH	704469 A2 *	8/2012	.....	G04F 7/088
EM	0006970730003	5/2007		
EM	0004421400004	2/2008		
EM	0014070430003	6/2014		
JP	D1173474	5/2003		
JP	HJ26010596	5/2014		

\* cited by examiner

*Primary Examiner* — Sheryl Lane

*Assistant Examiner* — Samantha Wood

(74) *Attorney, Agent, or Firm* — RatnerPrestia

(57) **CLAIM**

The ornamental design for a wrist watch, as shown and described.

**DESCRIPTION**

FIG. 1 is an enlarged perspective view of a wrist watch showing our new design;

FIG. 2 is a front elevational view thereof;

FIG. 3 is a left side elevational view thereof;

FIG. 4 is a right side elevational view thereof;

FIG. 5 is a rear elevational view thereof;

FIG. 6 is a top plan view thereof; and,

FIG. 7 is a bottom plan view thereof.

The broken lines showing portions of the wrist watch are included for the purpose of illustrating portions of the article and form no part of the claimed design.

**1 Claim, 4 Drawing Sheets**





FIG. 1





FIG. 2



FIG. 3

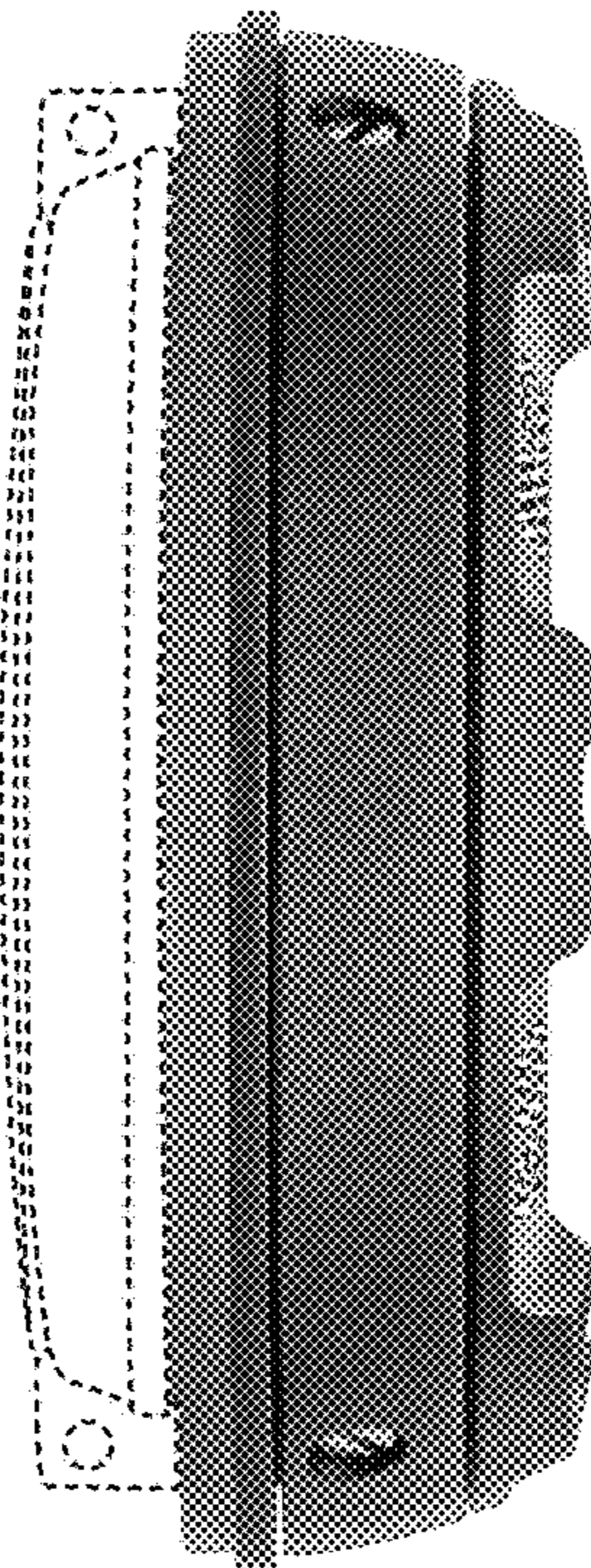




FIG. 4

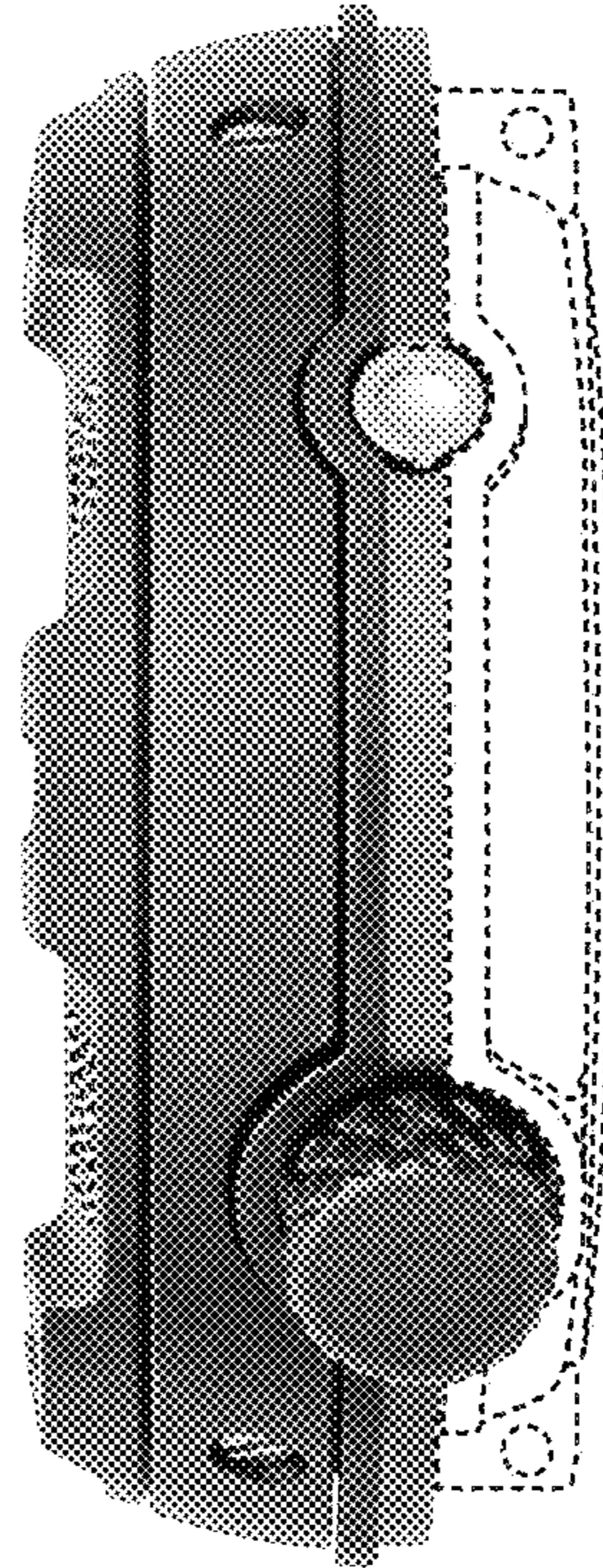


FIG. 5

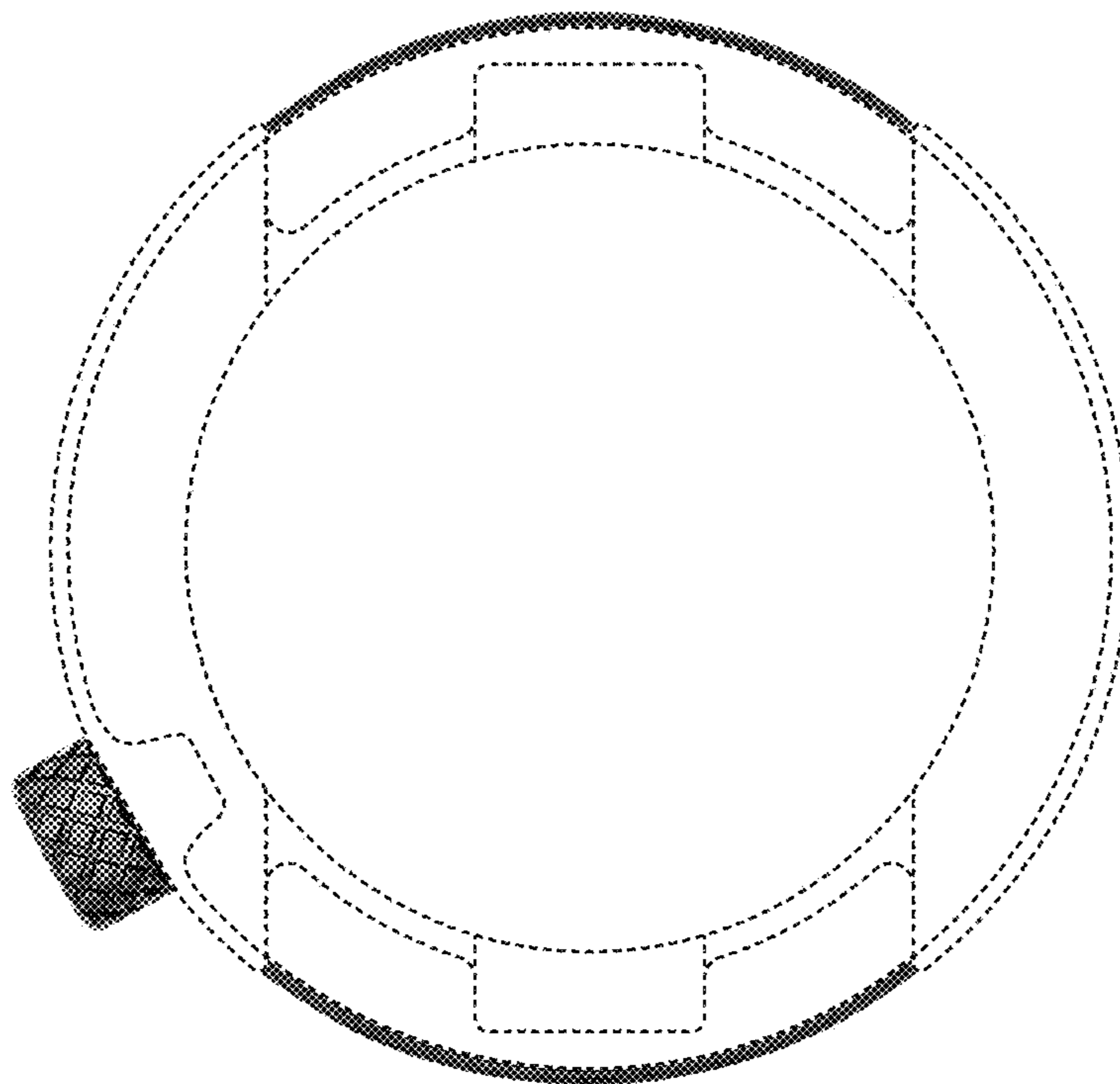


FIG. 6

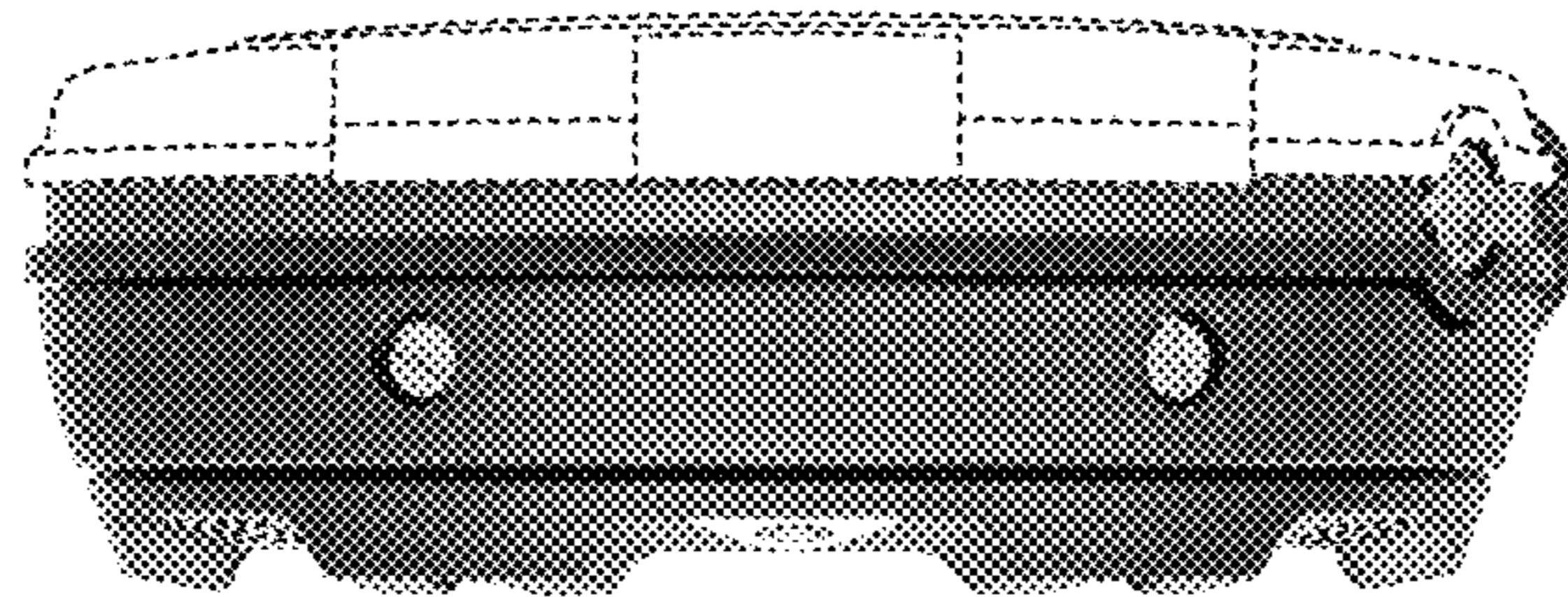


FIG. 7

