



US00D793878S

(12) **United States Design Patent** (10) **Patent No.:** **US D793,878 S**
Blotacker (45) **Date of Patent:** **** Aug. 8, 2017**

(54) **WATCHCASE**

(71) Applicant: **HARRY WINSTON SA,**
Plan-les-Ouates (CH)

(72) Inventor: **Coralie Blotacker,** Viry (FR)

(73) Assignee: **HARRY WINSTON SA,**
Plan-les-Ouates (CH)

(**) Term: **15 Years**

(21) Appl. No.: **29/538,701**

(22) Filed: **Sep. 7, 2015**

(30) **Foreign Application Priority Data**

Mar. 5, 2015 (WO) DM/085 762

(51) **LOC (10) Cl.** **10-02**

(52) **U.S. Cl.**
USPC **D10/38**

(58) **Field of Classification Search**
USPC D10/1, 17, 22, 30-39, 122-132; D11/3,
D11/16, 44

CPC G04B 45/0069; G04B 45/0076; G04B
47/04; G04B 47/042; G04B 37/0008;
G04B 19/06; G04F 7/08

See application file for complete search history.

(56) **References Cited**

U.S. PATENT DOCUMENTS

D390,148 S * 2/1998 Brzezinski D10/30
D508,860 S * 8/2005 Plan D10/39
D514,960 S * 2/2006 Deleskiewicz D10/38
7,134,784 B1 * 11/2006 Marin G04B 19/283
368/238
D586,240 S * 2/2009 Reginelli D10/32

D614,512 S * 4/2010 Monachon D10/32
D620,383 S * 7/2010 Levy D10/128
D647,808 S * 11/2011 Giroud D10/38
D667,319 S * 9/2012 Jamin D10/39
D671,015 S * 11/2012 Monachon D10/32
D704,077 S * 5/2014 Monachon D10/32
D704,574 S * 5/2014 Lasserre D10/39
D705,085 S * 5/2014 Monachon D10/34
D729,077 S * 5/2015 Kamilindi D10/39
D733,584 S * 7/2015 Kamilindi D10/39
D735,058 S * 7/2015 Graff D10/30
D758,887 S * 6/2016 Sasaki D10/128
D780,030 S * 2/2017 Yatsugi-Kang D11/34
D781,737 S * 3/2017 Blotacker D10/126
2013/0070573 A1 * 3/2013 Oshio G04B 47/042
368/235
2014/0029394 A1 * 1/2014 Saunier A44C 5/14
368/285

* cited by examiner

Primary Examiner — Sandra Snapp

Assistant Examiner — Katherine Glennon

(74) *Attorney, Agent, or Firm* — Donald J. Ranft; Collen IP

(57) **CLAIM**

The ornamental design for a watchcase, as shown.

DESCRIPTION

FIG. 1 is a front right perspective view of a watchcase showing my new design;

FIG. 2 is a rear right perspective view thereof;

FIG. 3 is a front view thereof;

FIG. 4 is a rear view thereof;

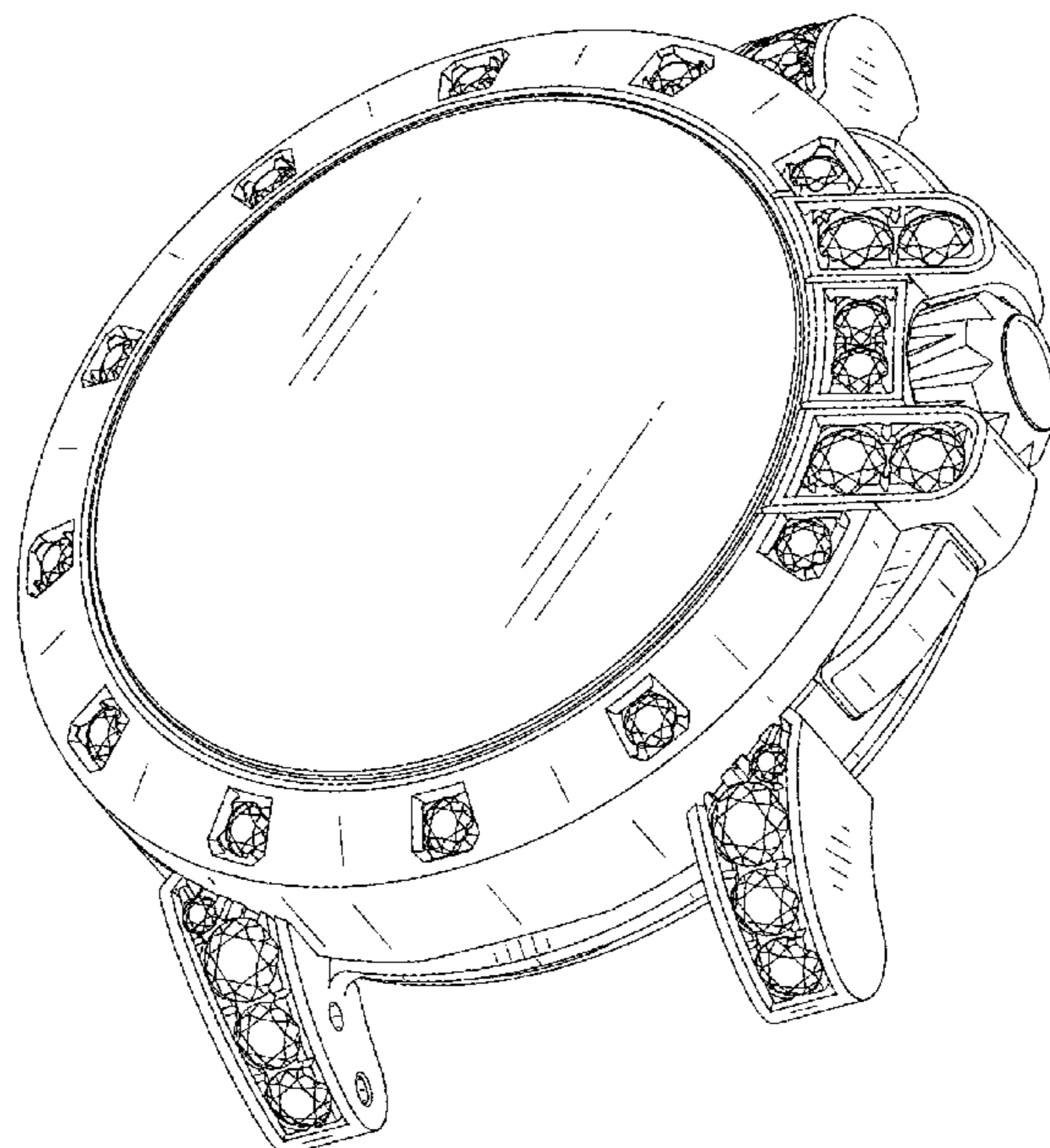
FIG. 5 is a right side view thereof;

FIG. 6 is a left side view thereof;

FIG. 7 is a bottom view thereof; and,

FIG. 8 is a top view thereof.

1 Claim, 6 Drawing Sheets



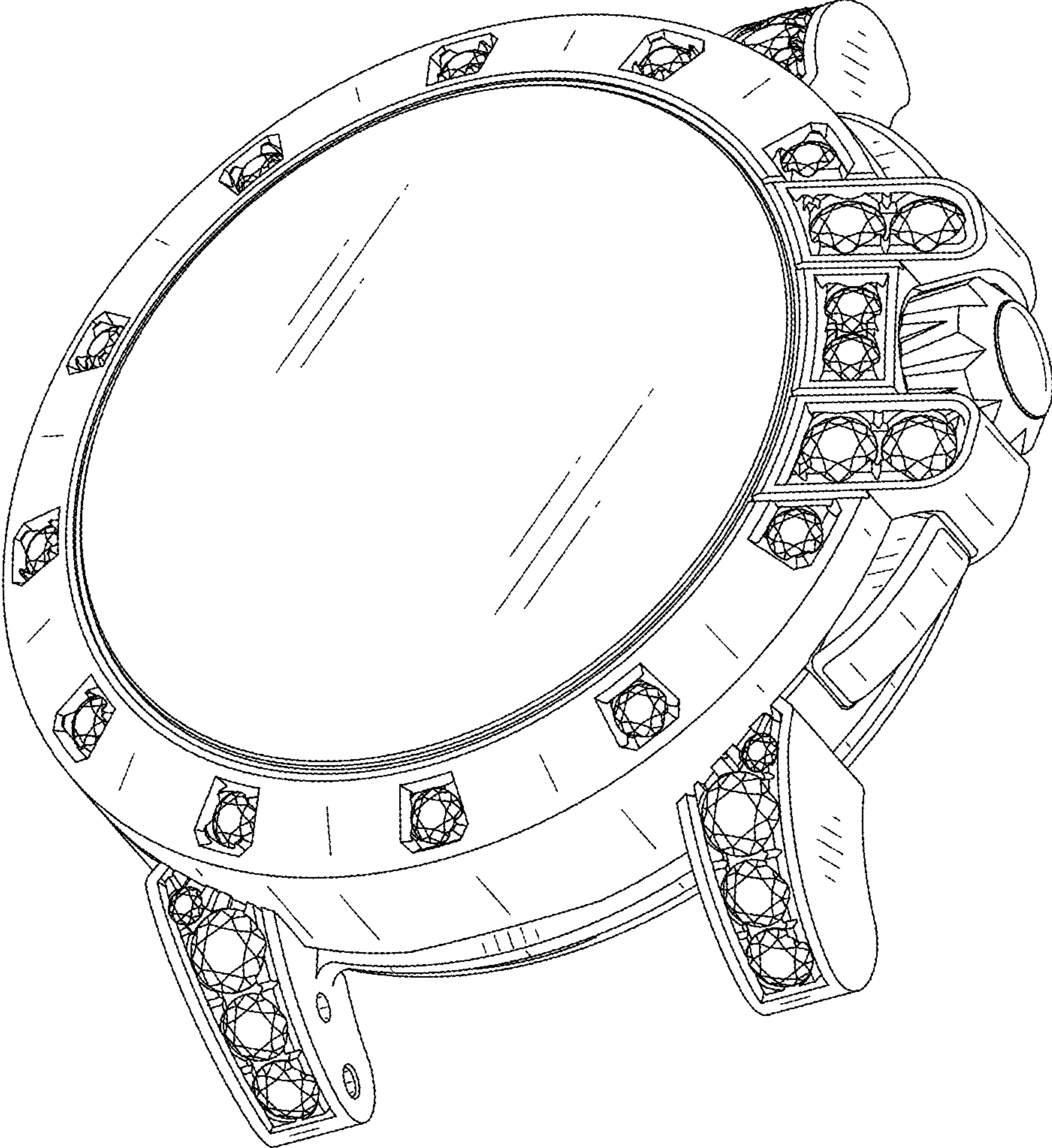


FIG. 1

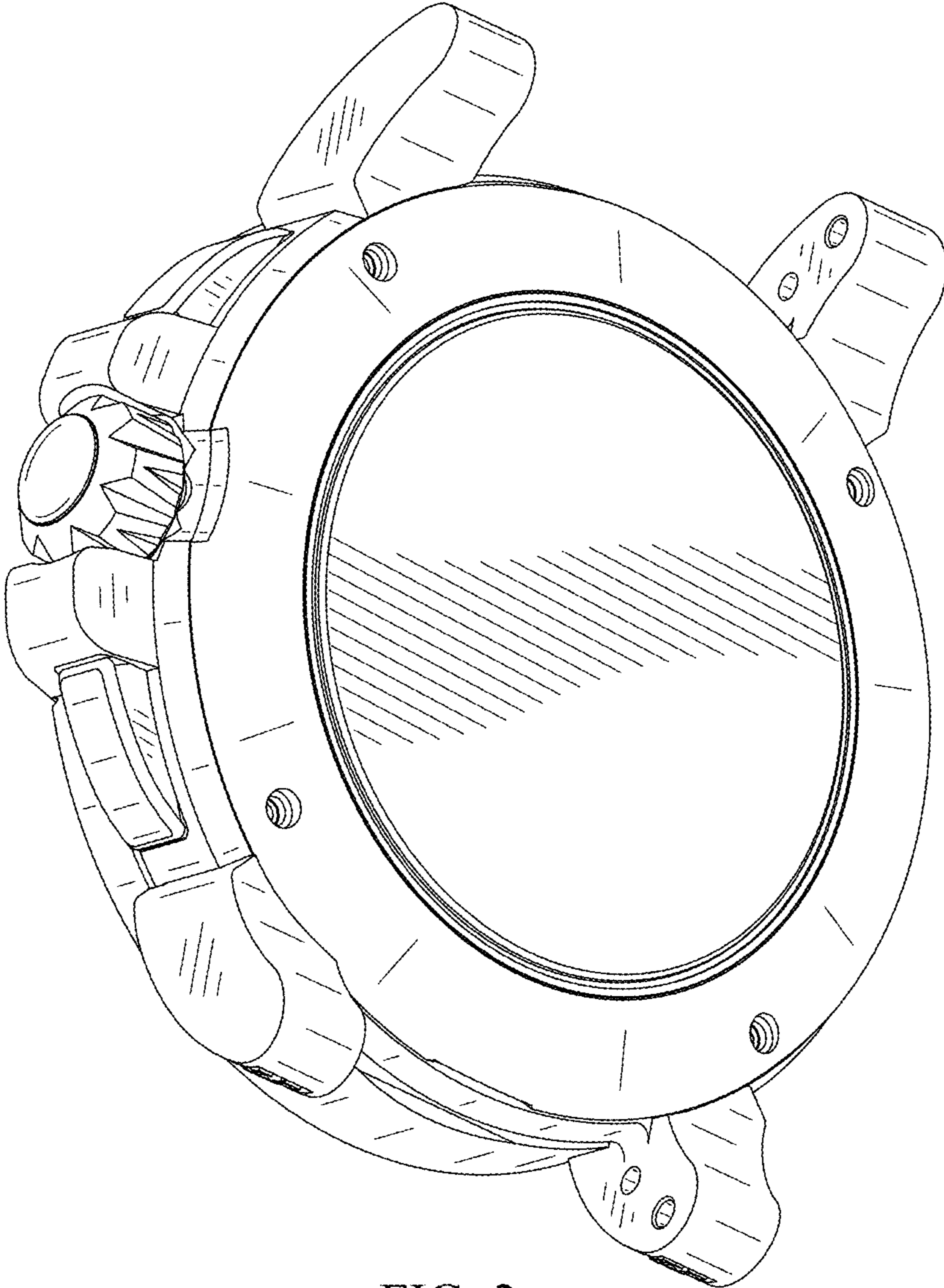


FIG. 2

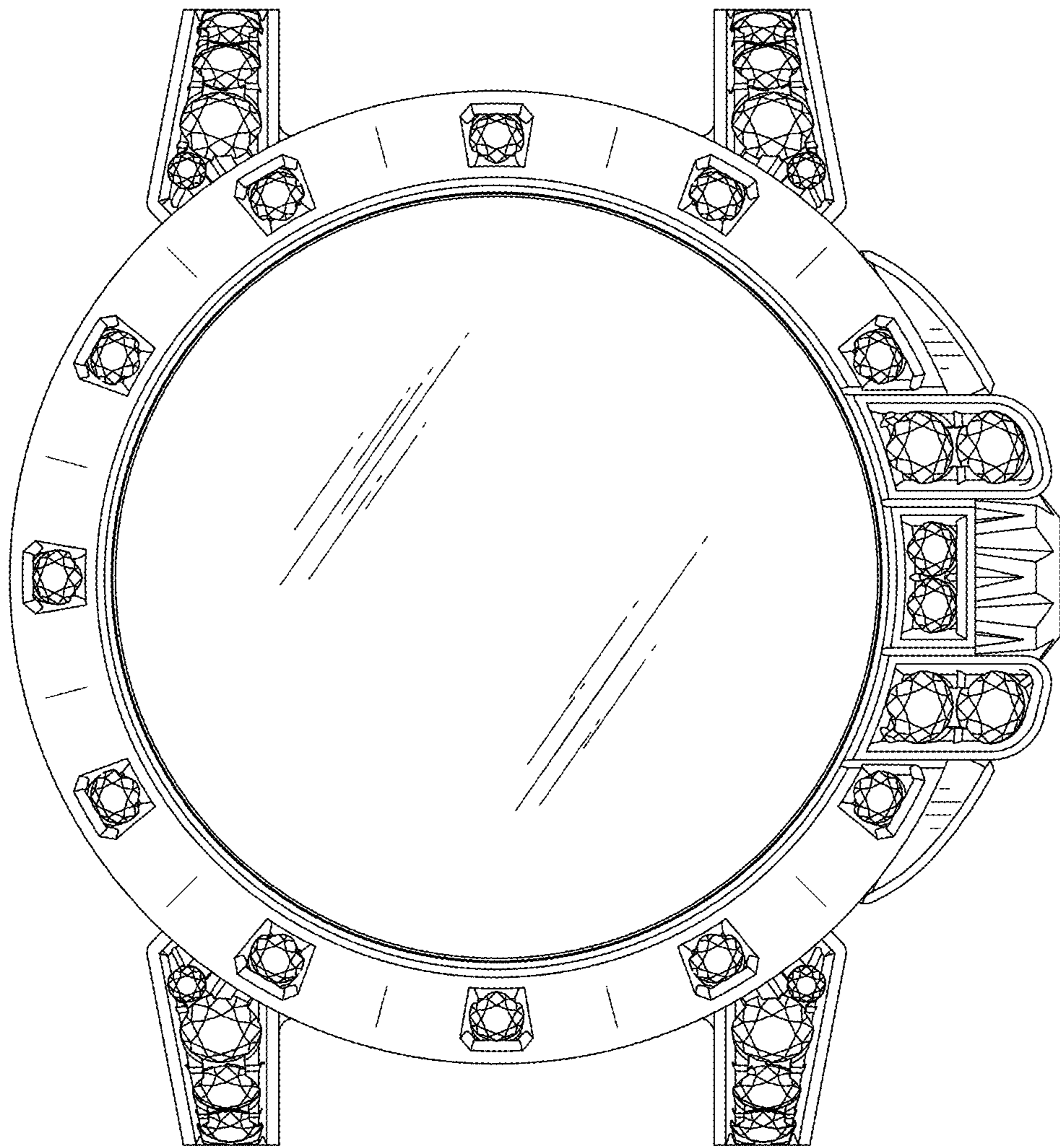


FIG. 3

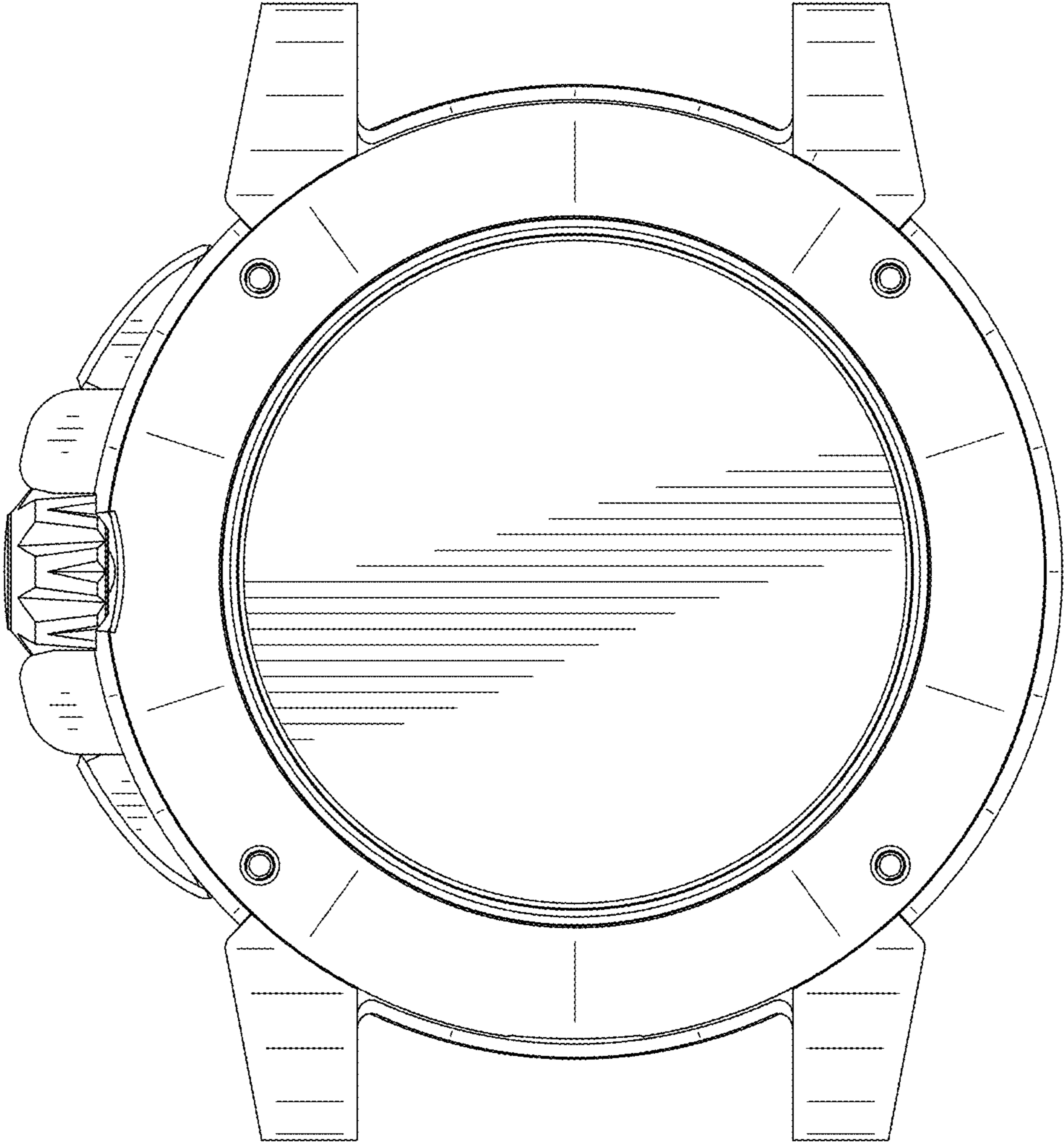


FIG. 4

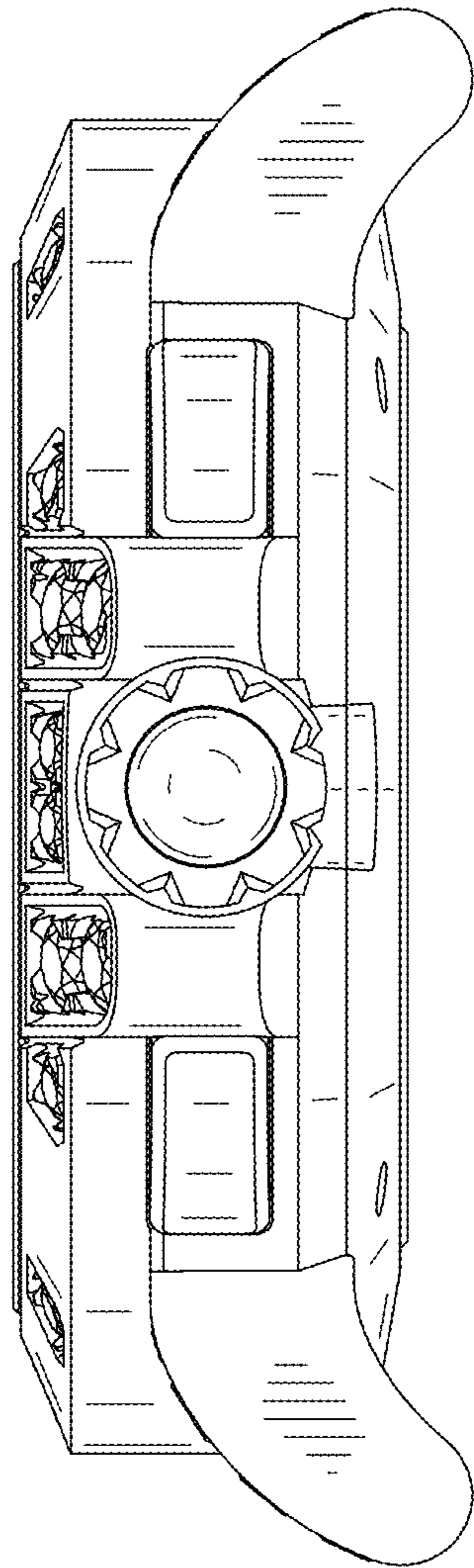


FIG. 5

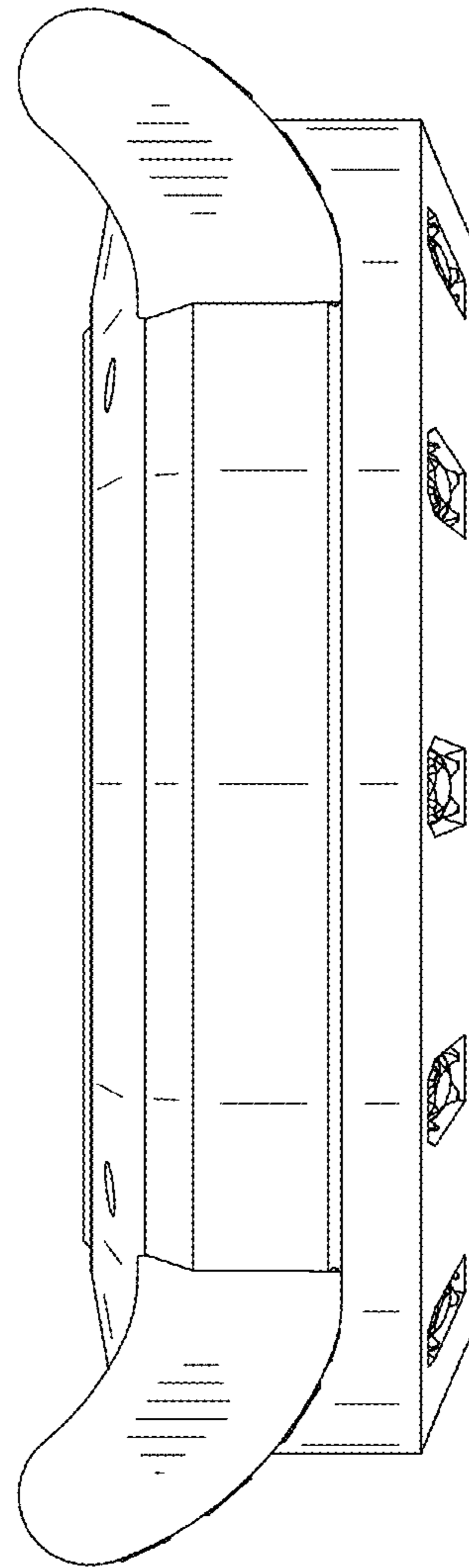


FIG. 6

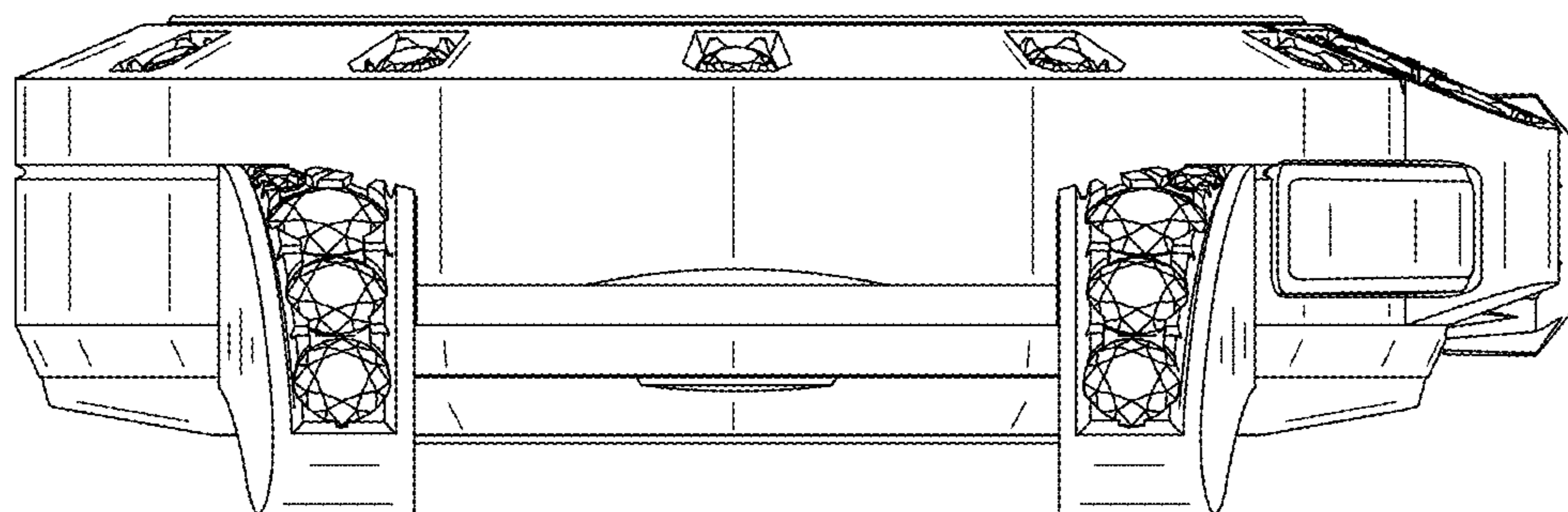


FIG. 7

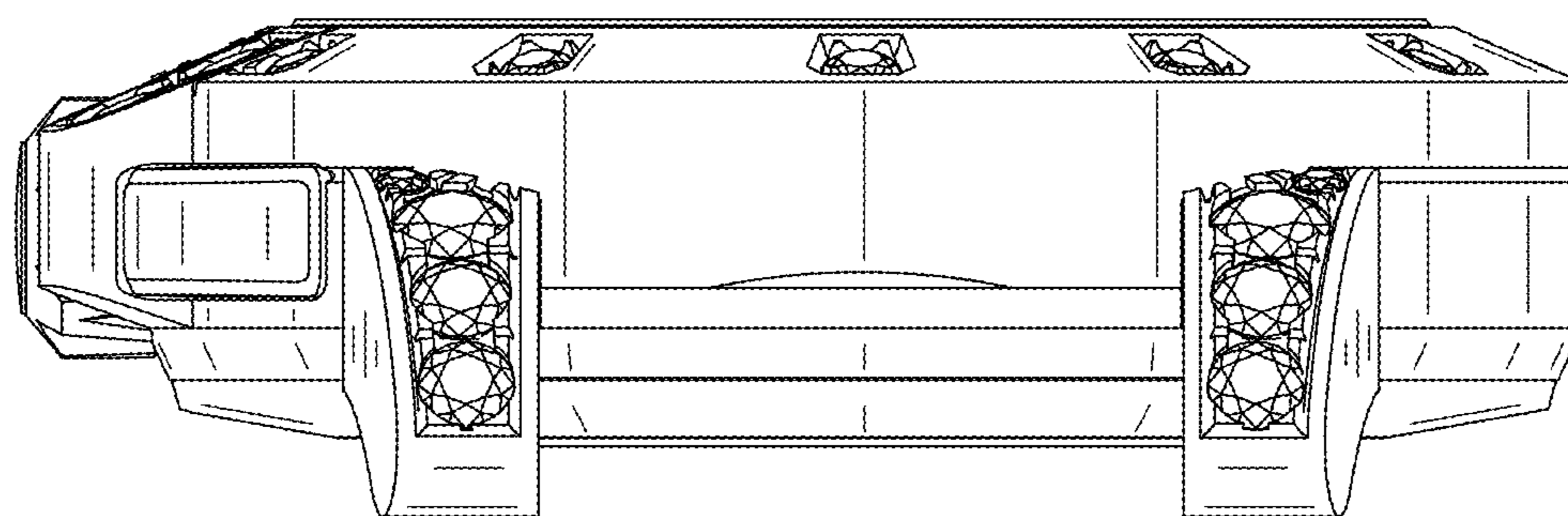


FIG. 8