



US00D793877S

(12) **United States Design Patent**  
**Lasserre**

(10) **Patent No.:** **US D793,877 S**

(45) **Date of Patent:** **\*\* Aug. 8, 2017**

(54) **WATCHCASE**

(71) Applicant: **HARRY WINSTON SA,**  
Plan-les-Ouates (CH)

(72) Inventor: **Christophe Lasserre,** Genève (CH)

(73) Assignee: **HARRY WINSTON SA,**  
Plan-les-Ouates (CH)

(\*\*) Term: **15 Years**

(21) Appl. No.: **29/538,699**

(22) Filed: **Sep. 7, 2015**

(30) **Foreign Application Priority Data**

Mar. 5, 2015 (WO) ..... DM/085 762

(51) **LOC (10) Cl.** ..... **10-02**

(52) **U.S. Cl.**  
USPC ..... **D10/38**

(58) **Field of Classification Search**  
USPC ..... D10/1, 17, 22, 30-39, 122-132; D11/3,  
D11/16, 44

CPC ..... G04B 45/0069; G04B 45/0076; G04B  
47/04; G04B 47/042; G04B 37/0008;  
G04B 19/06; G04F 7/08

See application file for complete search history.

(56) **References Cited**

**U.S. PATENT DOCUMENTS**

- 3,583,151 A \* 6/1971 Tissot ..... G04B 37/0008  
368/295
- D339,532 S \* 9/1993 Frappe ..... D10/126
- D339,534 S \* 9/1993 Frappe ..... D10/125
- D339,752 S \* 9/1993 Frappe ..... D10/125
- D358,776 S \* 5/1995 Pandel ..... D10/30
- D390,148 S \* 2/1998 Brzezinski ..... D10/30
- D397,945 S \* 9/1998 Gruosi ..... D10/30

- D504,332 S \* 4/2005 Chodat ..... D10/39
- D545,695 S \* 7/2007 Laucella ..... D10/31
- D586,668 S \* 2/2009 Dias ..... D10/38
- D615,882 S \* 5/2010 Laucella ..... D10/39
- D629,324 S \* 12/2010 Lattmann ..... D10/125
- D646,183 S \* 10/2011 De Witt ..... D10/38
- D647,808 S \* 11/2011 Giroud ..... D10/38
- D649,481 S \* 11/2011 Crocco ..... D10/39
- D659,555 S \* 5/2012 Jamin ..... D10/32
- D705,675 S \* 5/2014 Abdourahim ..... D10/39
- D729,077 S \* 5/2015 Kamilindi ..... D10/39

**OTHER PUBLICATIONS**

Harry Winston watch Premier Ladies Baguette-cut diamonds | posted at Watchonista.com (2012) 2014 © Watchonista The Watches Network, 2017 [online][site visited May 10, 2017]. Available from Internet: <<http://www.watchonista.com/harry-winston/watches/premier-ladies-baguette-cut-diamonds>>.\*

(Continued)

*Primary Examiner* — Sandra Snapp

*Assistant Examiner* — Katherine Glennon

(74) *Attorney, Agent, or Firm* — Donald J. Ranft; Collen IP

(57) **CLAIM**

The ornamental design for a watchcase, as shown.

**DESCRIPTION**

FIG. 1 is a front right perspective view of a watchcase showing my new design;

FIG. 2 is a rear right perspective view thereof;

FIG. 3 is a front view thereof;

FIG. 4 is a rear view thereof;

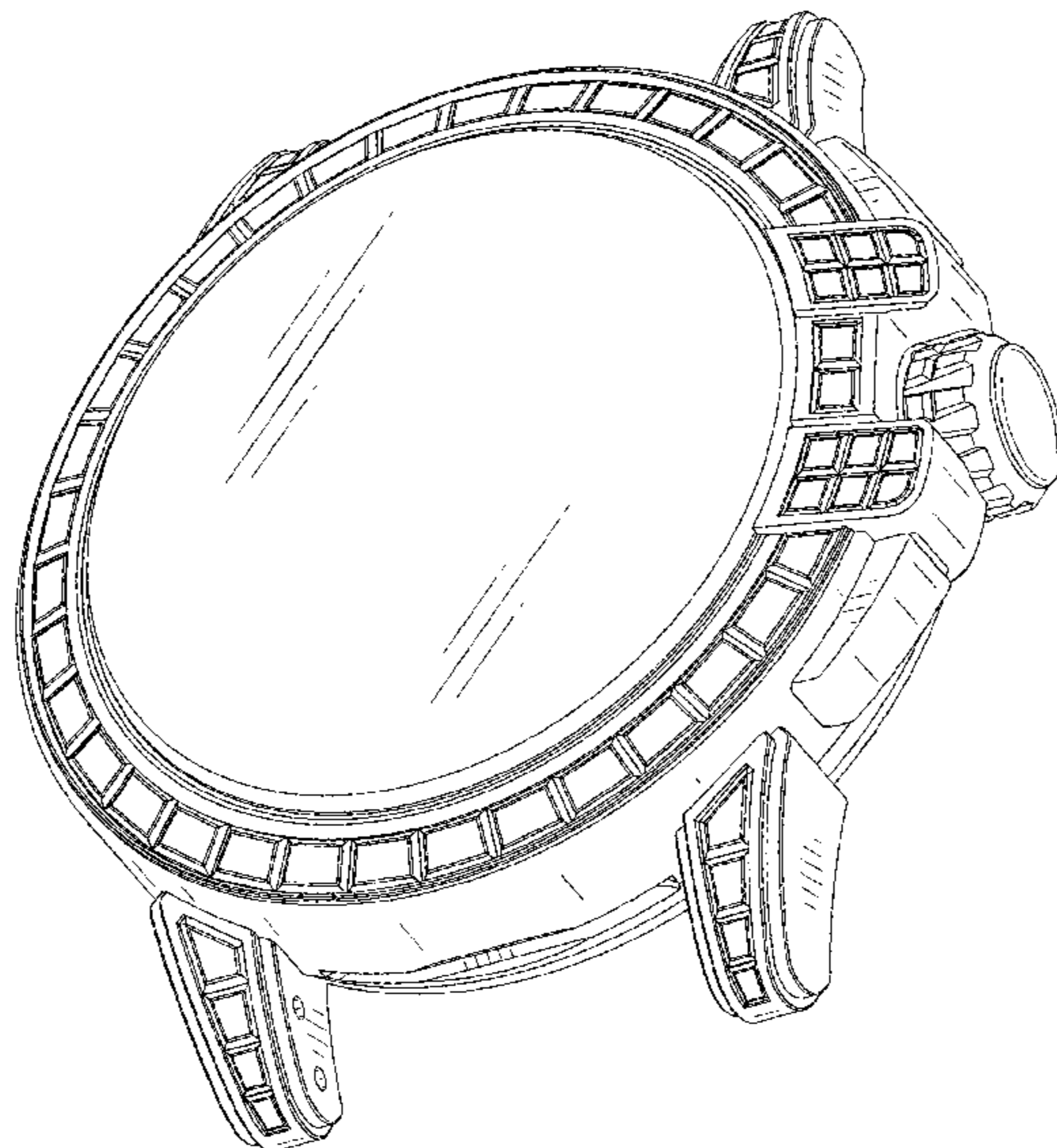
FIG. 5 is a right side view thereof;

FIG. 6 is a left side view thereof;

FIG. 7 is a bottom view thereof; and,

FIG. 8 is a top view thereof.

**1 Claim, 6 Drawing Sheets**



(56)

**References Cited**

OTHER PUBLICATIONS

Rock Stars Haute Times Five Best Diamond Tourbillon | posted at hautetime.com May 28, 2013 © 2017 Haute Time [online][site visited May 10, 2017]. Available from Internet: <<http://www.hautetime.com/rock-stars-haute-time-s-five-best-diamond-tourbillons/24566/>> p. 6.\*

Pre-WW 2014 Introducing Jaeger-LeCoultre | posted at watchesbysjx.com (Jul. 16, 2014) 2014 SJX © 2011-2017 [online][site visited May 10, 2017]. Available from Internet: <<http://watchesbysjx.com/2014/07/pre-ww-2014-introducing-the-jaeger-lecoultre-master-grande-tradition-grande-complication-high-jewelry-with-specs-price.html>>.\*

\* cited by examiner

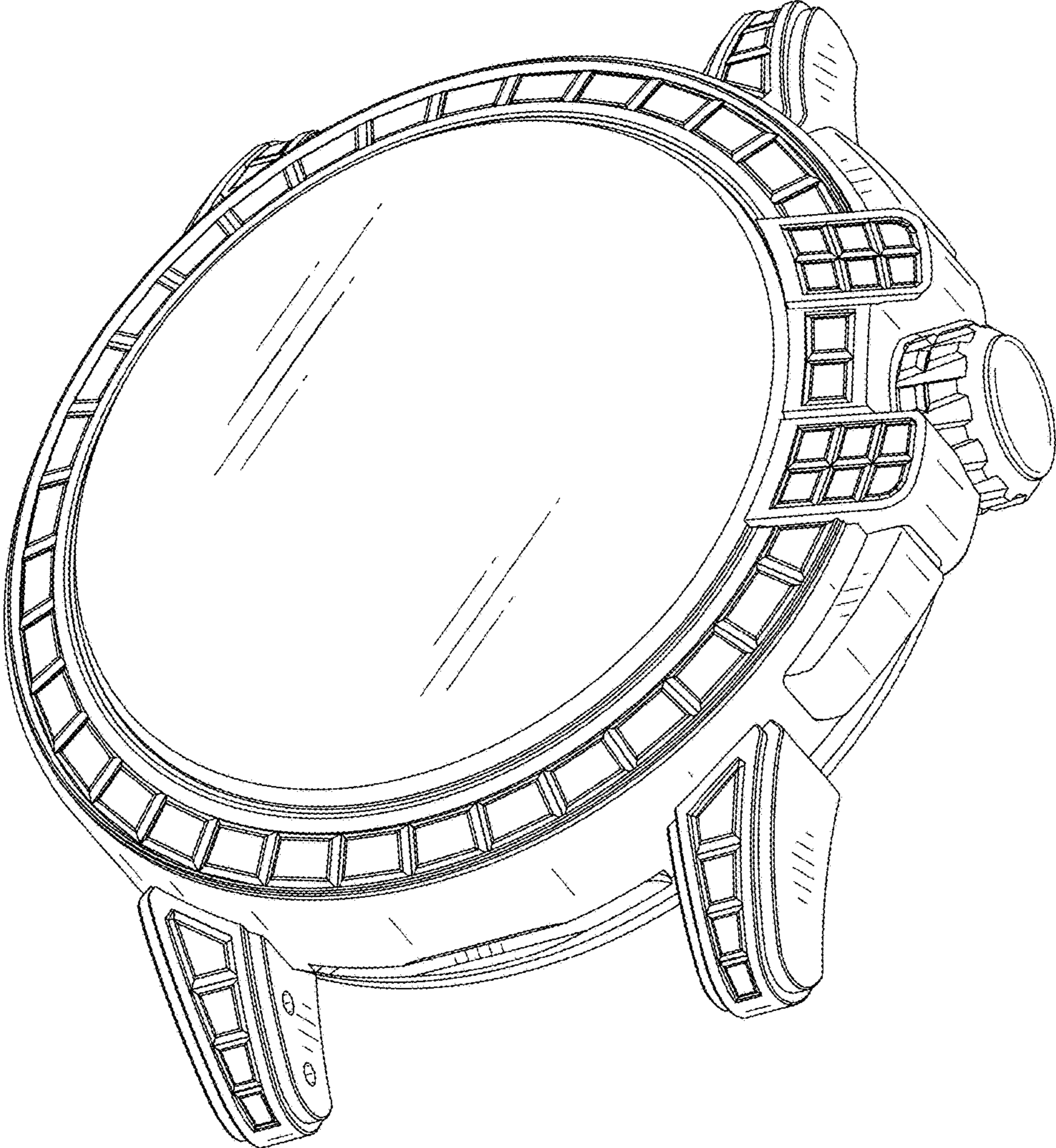


FIG. 1

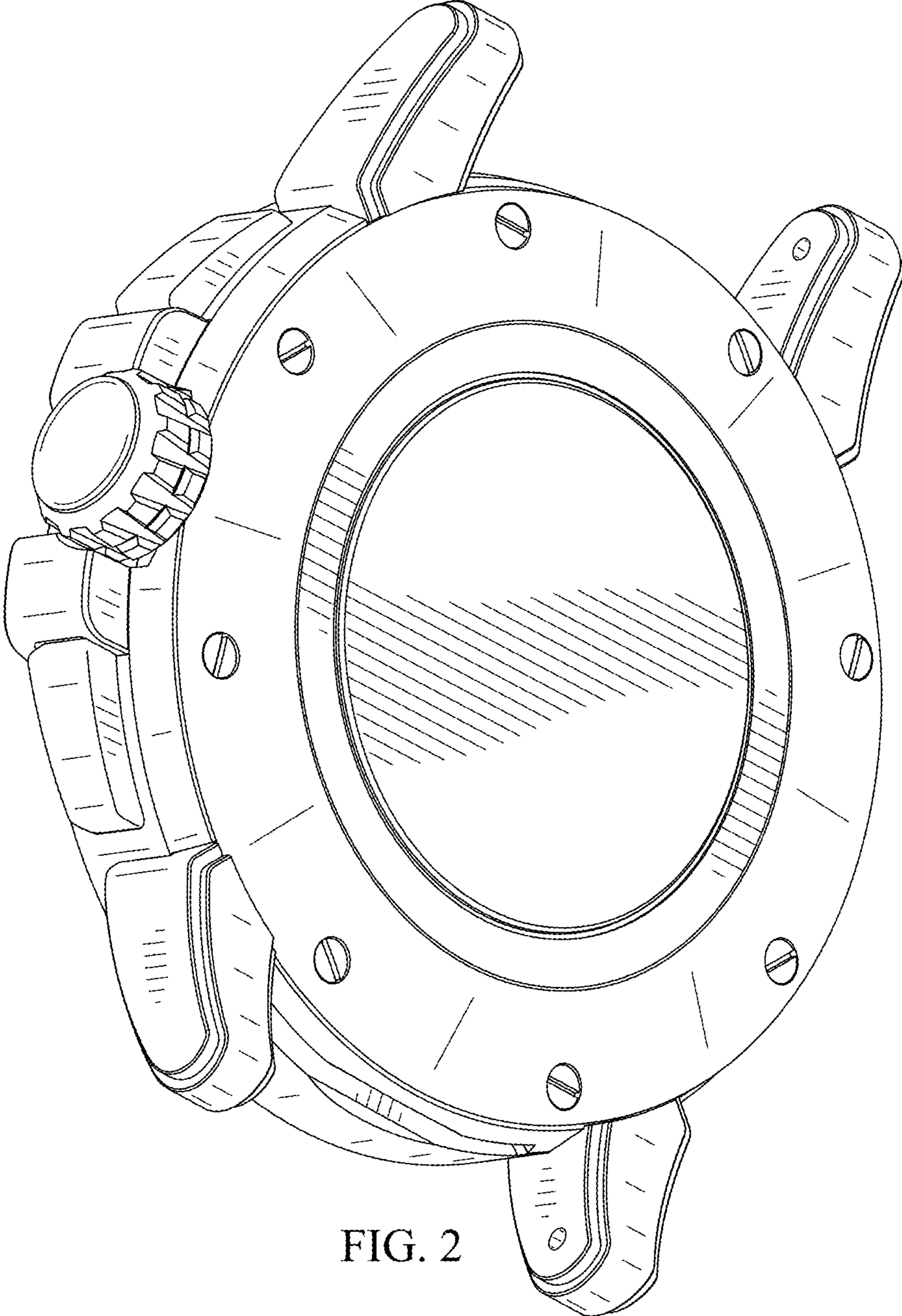


FIG. 2

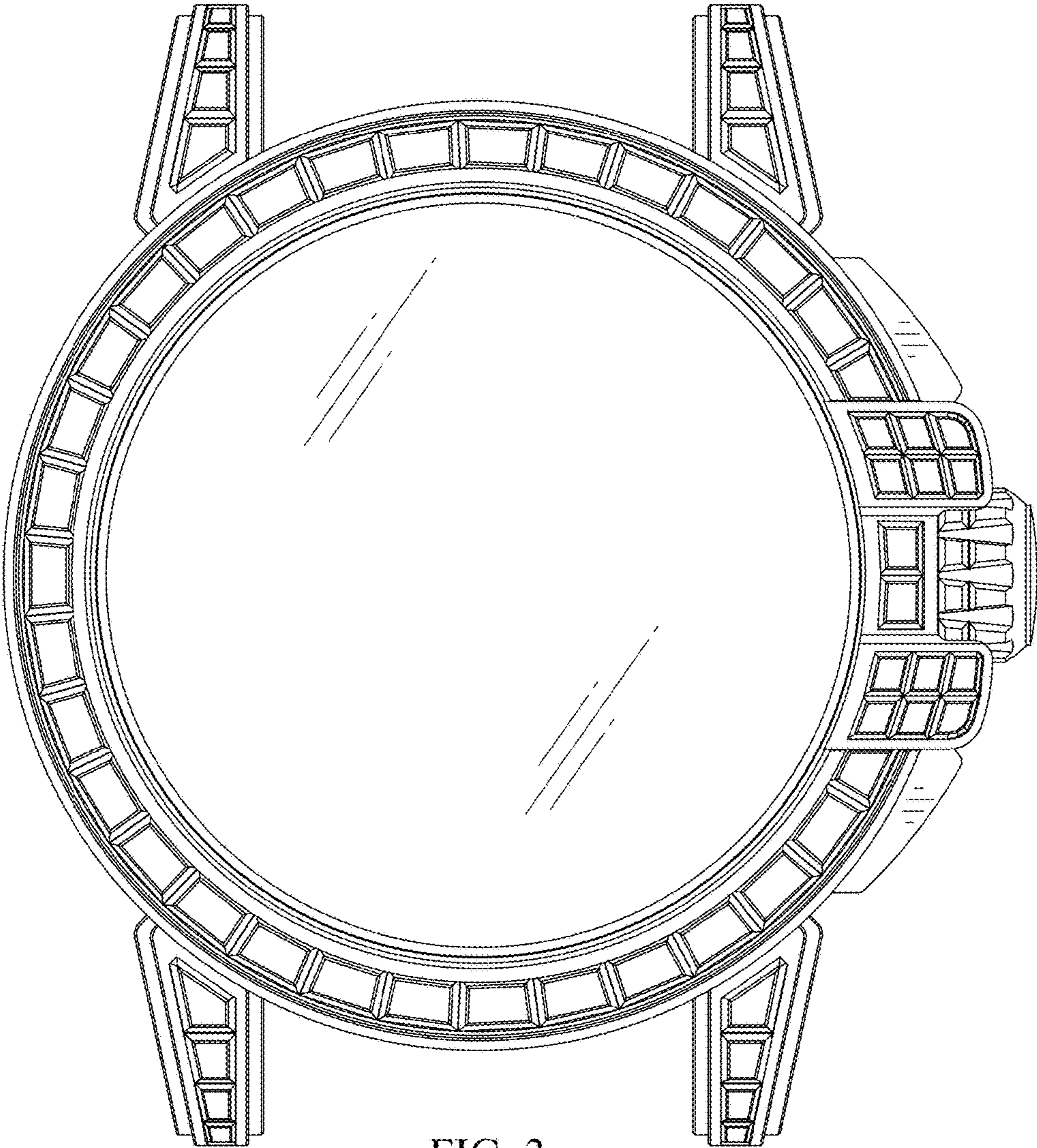


FIG. 3

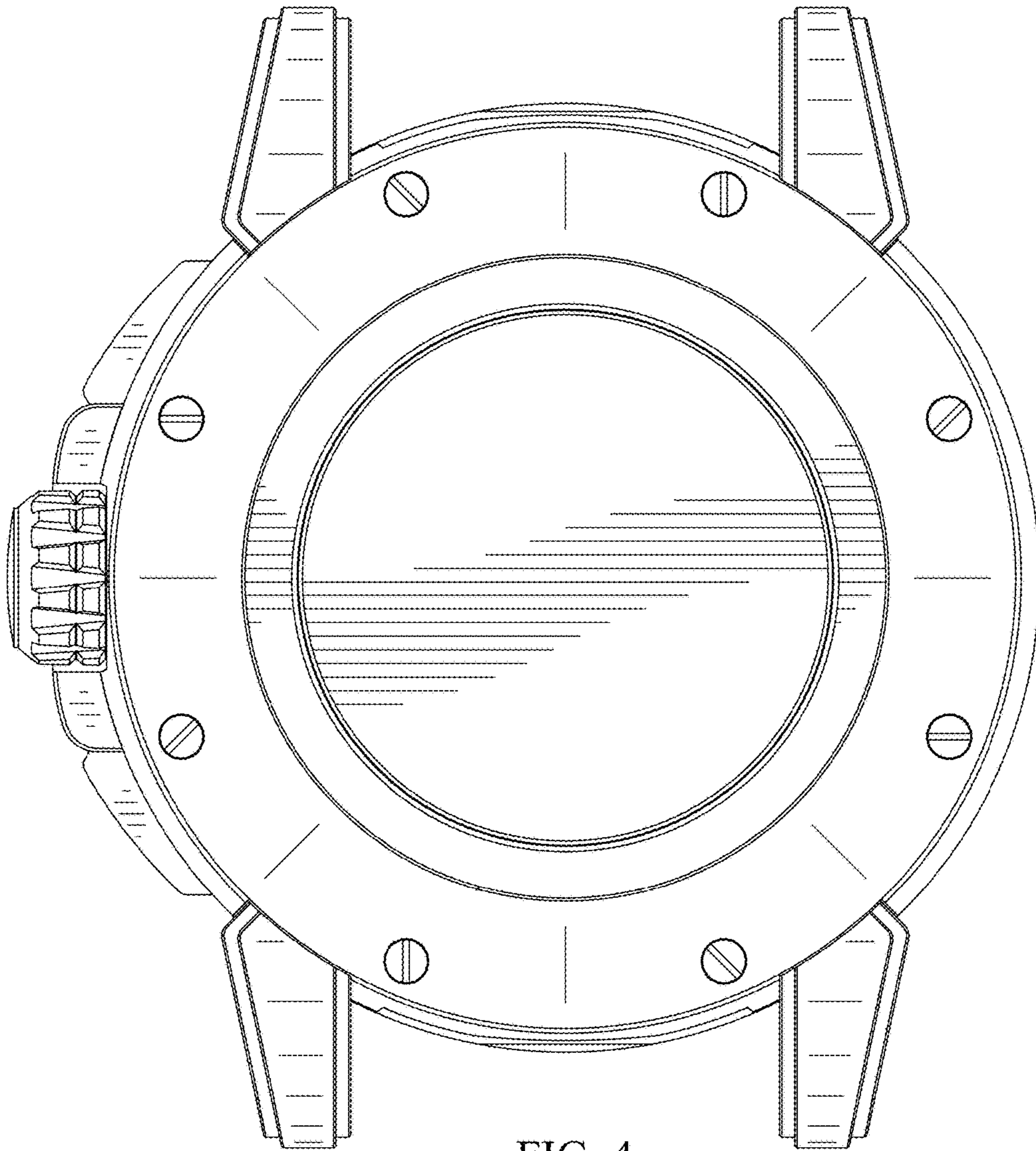


FIG. 4

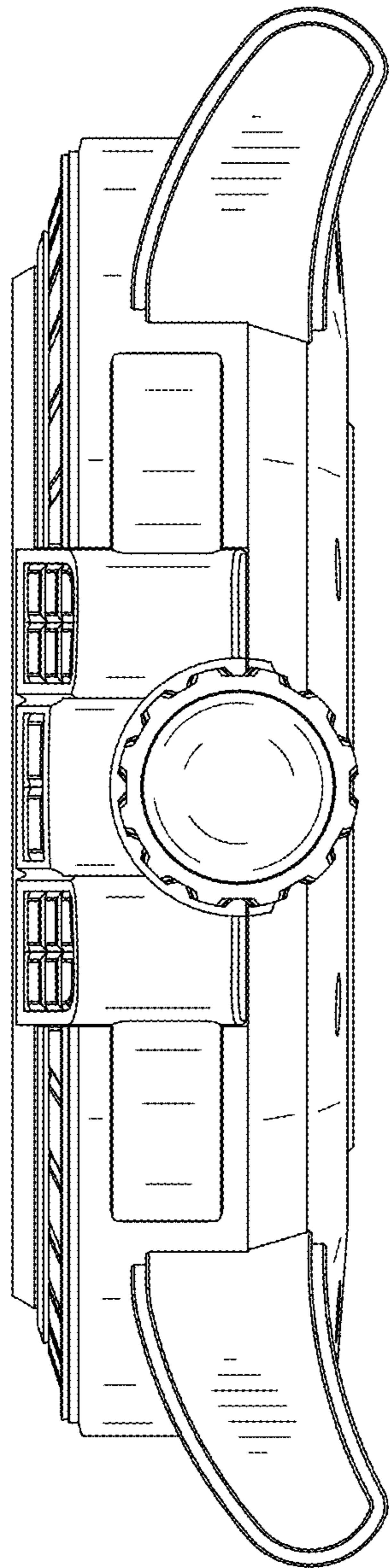


FIG. 5

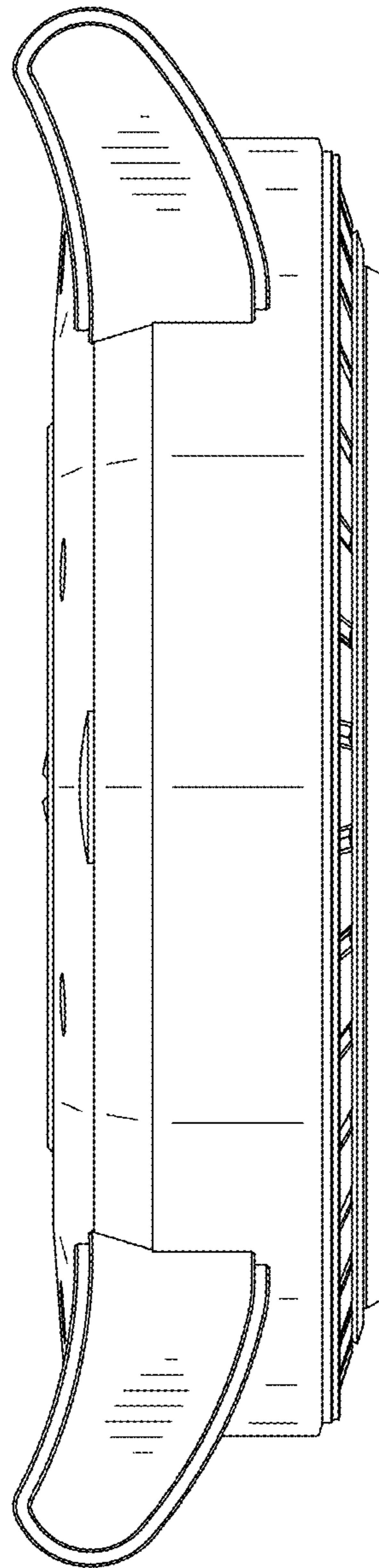


FIG. 6

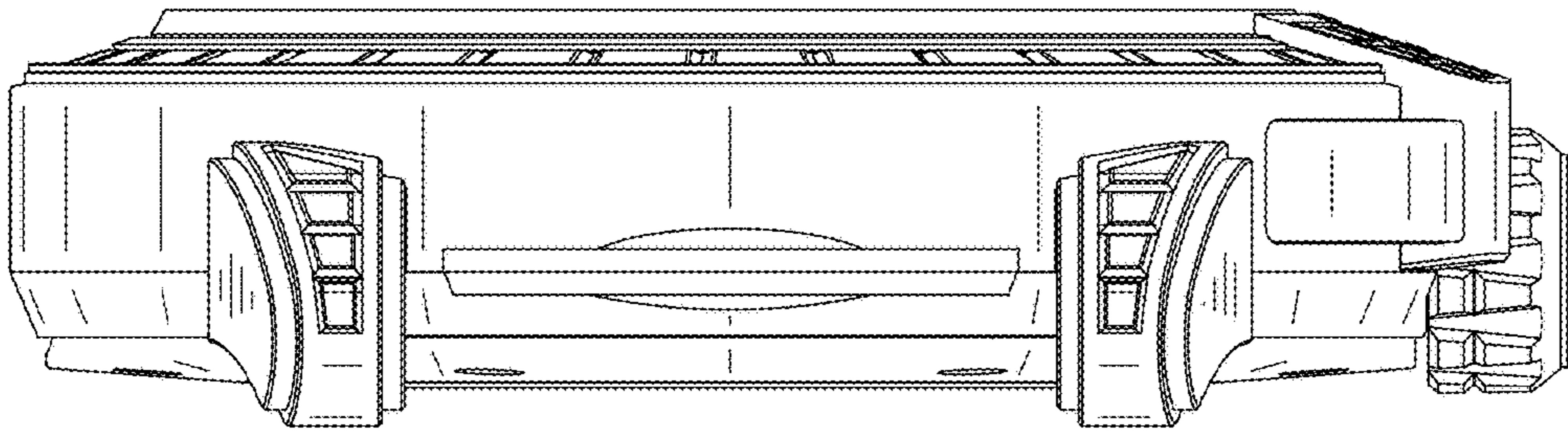


FIG. 7

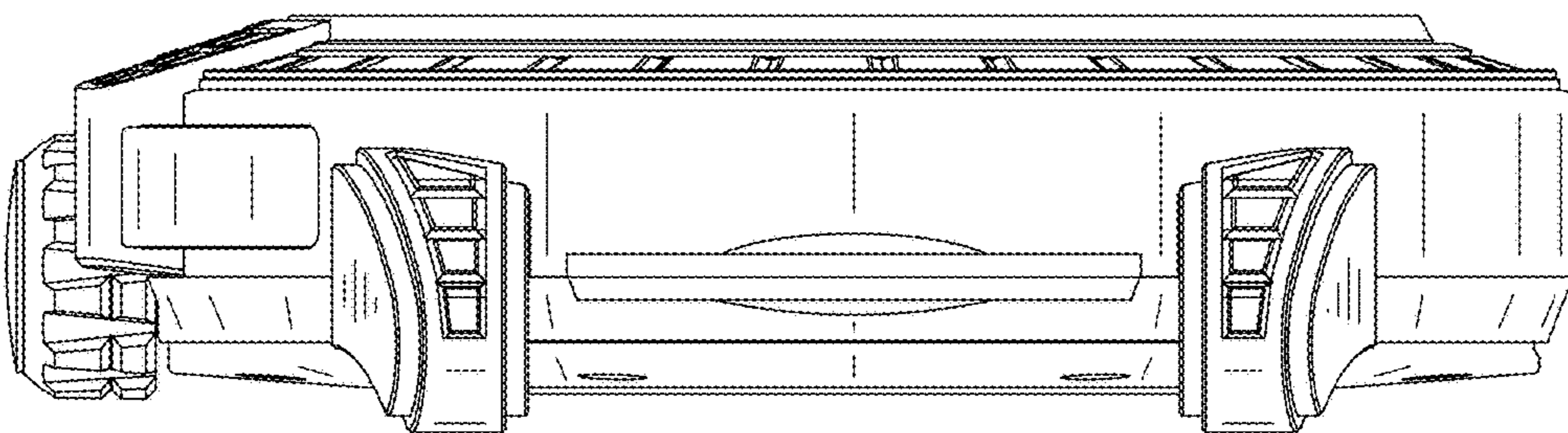


FIG. 8