



US00D793876S

(12) **United States Design Patent** (10) **Patent No.:** **US D793,876 S**
Lasserre (45) **Date of Patent:** **** Aug. 8, 2017**

(54) **WATCHCASE**

(71) Applicant: **HARRY WINSTON SA,**
Plan-les-Ouates (CH)

(72) Inventor: **Christophe Lasserre,** Genève (CH)

(73) Assignee: **HARRY WINSTON SA,**
Plan-les-Ouates (CH)

(**) Term: **15 Years**

(21) Appl. No.: **29/538,685**

(22) Filed: **Sep. 6, 2015**

(30) **Foreign Application Priority Data**

Mar. 5, 2015 (WO) DM/085763

(51) **LOC (10) Cl.** **10-02**

(52) **U.S. Cl.**
USPC **D10/38**

(58) **Field of Classification Search**
USPC D10/1, 17, 22, 30-39, 122-132; D11/3,
D11/16, 44

CPC G04B 45/0069; G04B 45/0076; G04B
47/04; G04B 47/042; G04B 37/0008;
G04B 19/06; G04F 7/08

See application file for complete search history.

(56) **References Cited**

U.S. PATENT DOCUMENTS

D356,971 S * 4/1995 Newman D10/122
D386,979 S * 12/1997 Kubisch D10/32
D399,447 S * 10/1998 Pandel D10/128
D507,974 S * 8/2005 Strasser D10/30
D509,446 S * 9/2005 Wunderman D10/32
D513,196 S * 12/2005 Lazaretnik D10/39
D514,960 S * 2/2006 Deleskiewicz D10/38
D558,610 S * 1/2008 Howard D10/38
D559,130 S * 1/2008 Laucella D10/39
D586,240 S * 2/2009 Reginelli D10/32

D592,980 S * 5/2009 Laucella D10/39
D614,512 S * 4/2010 Monachon D10/32
D620,383 S * 7/2010 Levy D10/128
D627,243 S * 11/2010 Deleskiewicz D10/39
D629,312 S * 12/2010 Laucella D10/39
D631,374 S * 1/2011 Hegi D10/38
D647,808 S * 11/2011 Giroud D10/38
D649,069 S * 11/2011 Galli D10/30
D656,418 S * 3/2012 Scheufele D10/39
D667,319 S * 9/2012 Jamin D10/39
D668,559 S * 10/2012 Jamin D10/39

(Continued)

OTHER PUBLICATIONS

Harry Winston Ladies Monochrome watch | posted at watchalyzer.com Nov. 8, 2013 Copyright (c) 2013 Watchalyzer [online][site visited May 10, 2017]. Available from Internet: <<http://www.watchalyzer.com/magazine/news-events/harry-winston-midnight-monochrome-automatic-ladies-monochrome-quartz/>> p. 4.*

(Continued)

Primary Examiner — Sandra Snapp

Assistant Examiner — Katherine Glennon

(74) *Attorney, Agent, or Firm* — Donald J. Ranft; Collen IP

(57) **CLAIM**

The ornamental design for a watchcase, as shown.

DESCRIPTION

FIG. 1 is a front right perspective view of a watchcase showing my new design;

FIG. 2 is a front view thereof;

FIG. 3 is a rear view thereof;

FIG. 4 is a left side view thereof;

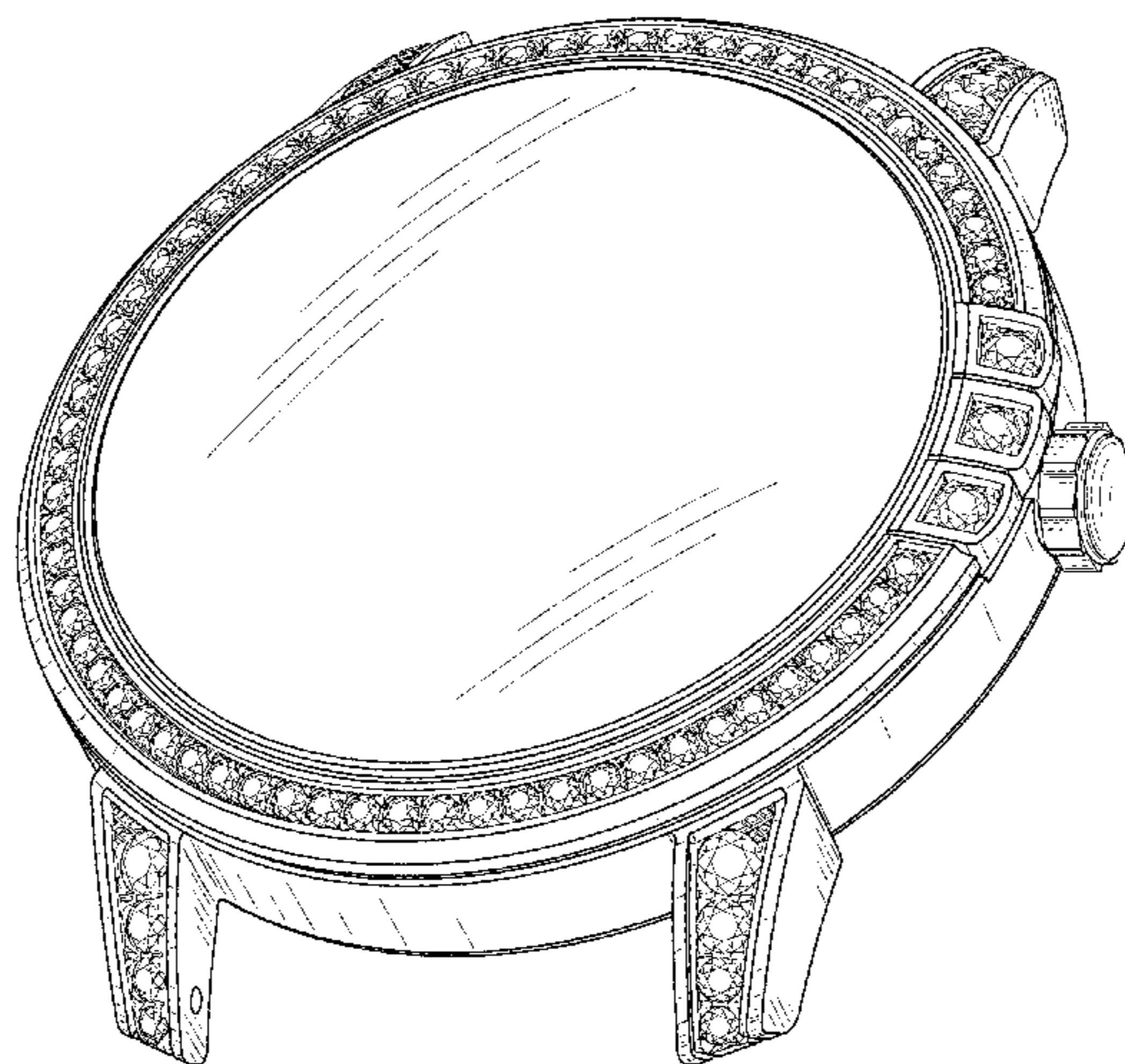
FIG. 5 is a right side view thereof;

FIG. 6 is a top view thereof;

FIG. 7 is a bottom view thereof; and,

FIG. 8 is a rear right perspective view thereof.

1 Claim, 6 Drawing Sheets



(56)

References Cited

U.S. PATENT DOCUMENTS

D677,586	S	*	3/2013	Graff	D10/36
D682,121	S	*	5/2013	Hegi	D10/36
D690,208	S	*	9/2013	Sasaki	D10/32
D690,209	S	*	9/2013	Kawashima	D10/32
D704,077	S	*	5/2014	Monachon	D10/32
D705,085	S	*	5/2014	Monachon	D10/34
D706,142	S	*	6/2014	Monachon	D10/32
D708,966	S	*	7/2014	Lasserre	D10/39
D720,630	S	*	1/2015	Nashimoto	D10/32
D726,557	S	*	4/2015	Lasserre	D10/39
D727,177	S	*	4/2015	Abdourahim	D10/39
D729,077	S	*	5/2015	Kamilindi	D10/39
D735,058	S	*	7/2015	Graff	D10/30
D765,533	S	*	9/2016	Gueit	D10/128
D780,030	S	*	2/2017	Yatsugi-Kang	D11/34
D781,737	S	*	3/2017	Blootacker	D10/126
2015/0072329	A1	*	3/2015	Kim	G09B 19/02 434/304

OTHER PUBLICATIONS

Harry Winston Midnight Monochrome watch case | posted at Luxois.com May 8, 2013 Copyright © 2006-2015 Luxois.com [online][site visited May 8, 2017]. Available from Internet: <<http://www.luxois.com/news/harry-winston-midnight-monochrome/1166>> p. 5-6.*

Harry Winston Premier Feather watch | posted at ablogtowatch.com May 6, 2012 © 2007-2017 aBlogtoWatch [online][site visited May 9, 2017]. Available from Internet<<http://www.ablogtowatch.com/harry-winston-shanghai-pavilion-watches-for-china/>>.*

* cited by examiner

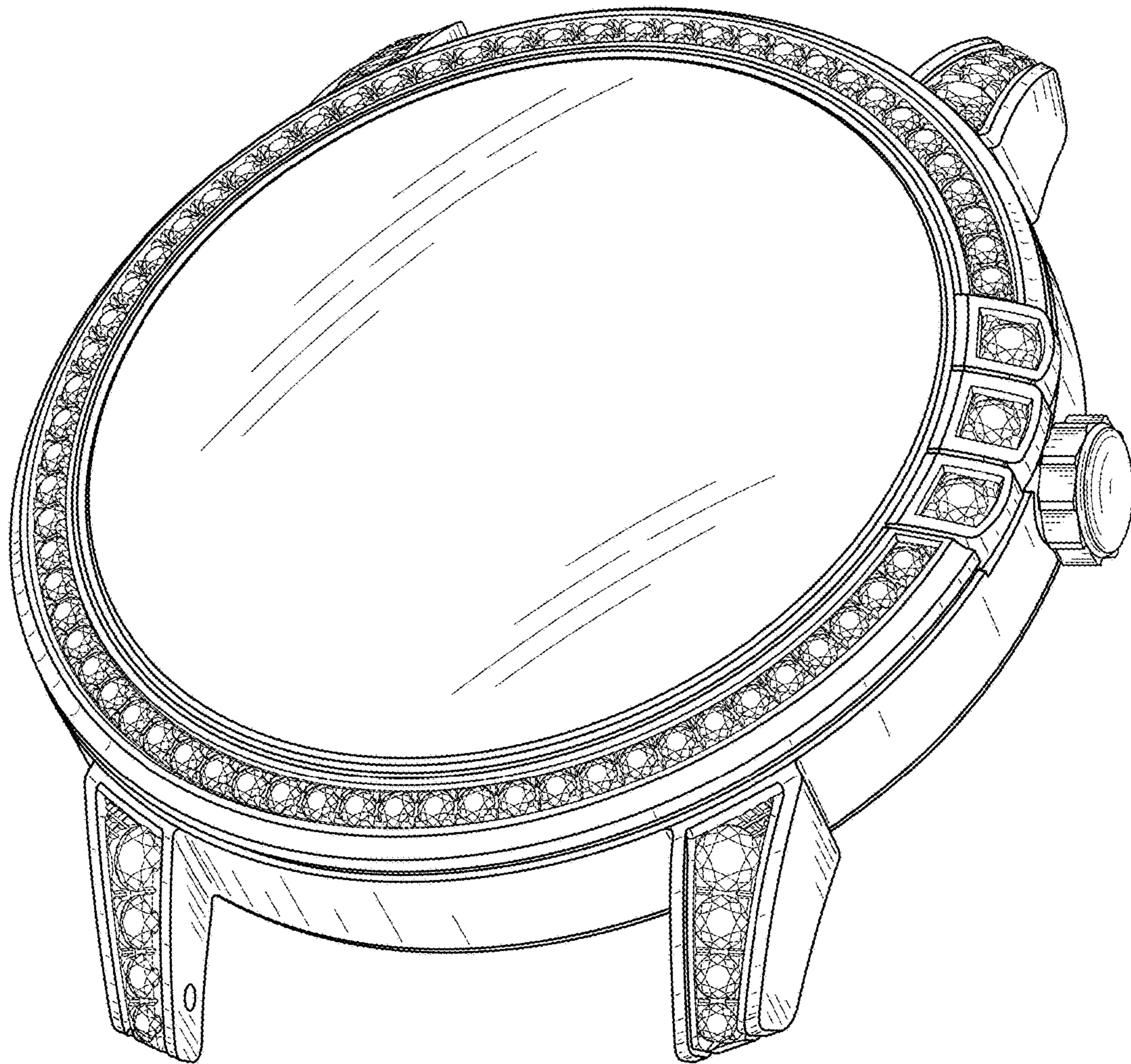


FIG. 1

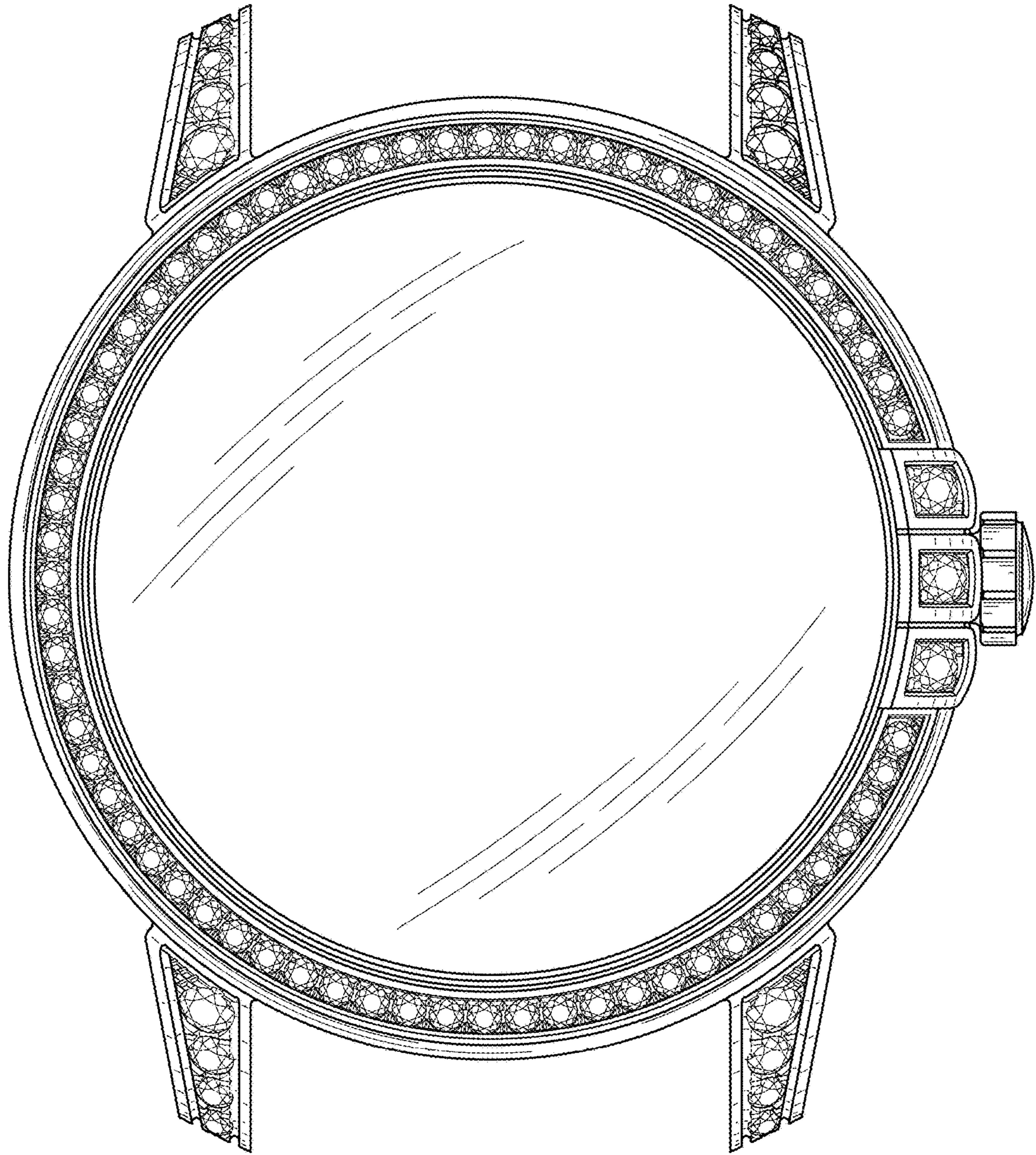


FIG. 2

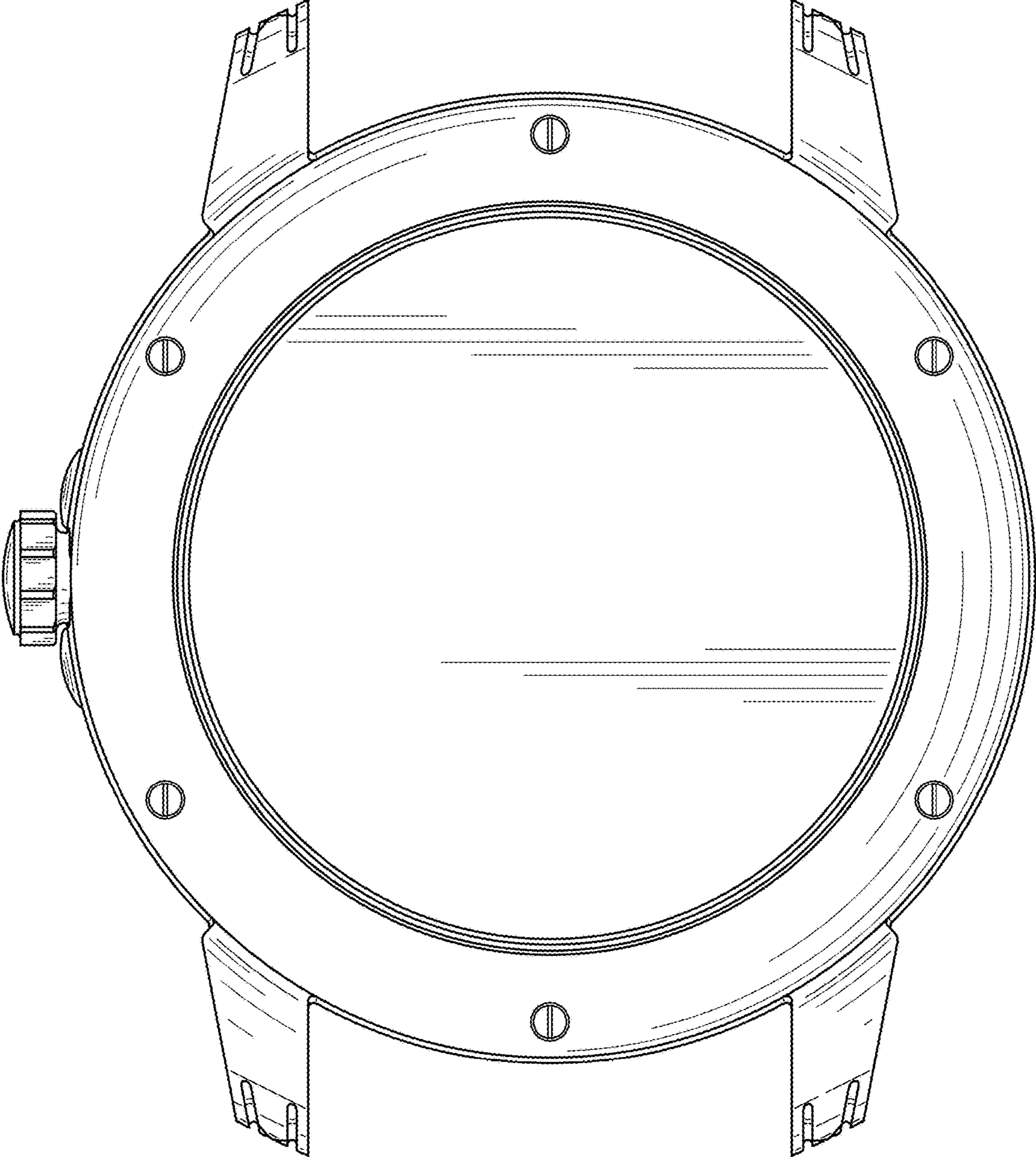


FIG. 3

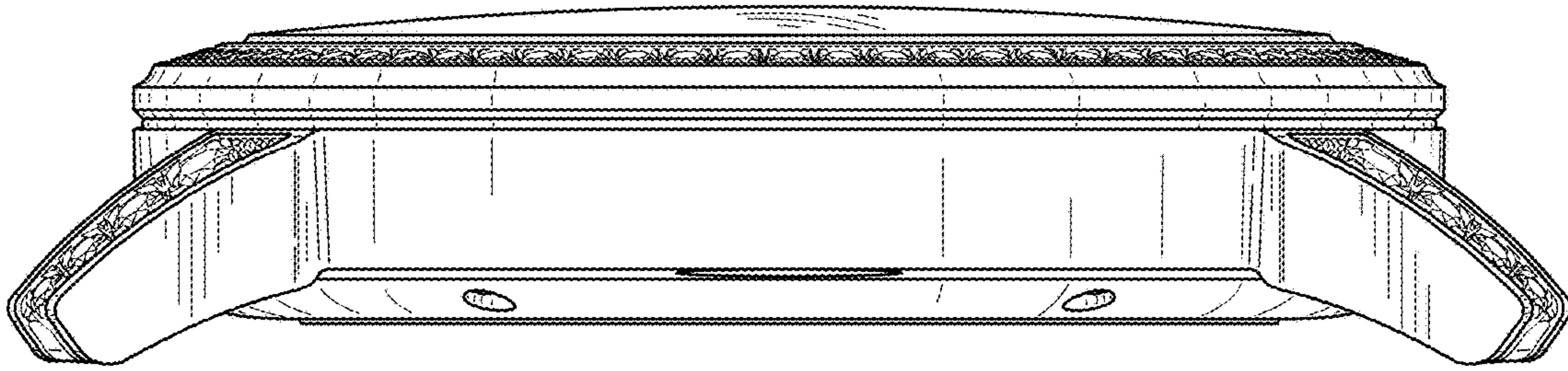


FIG. 4

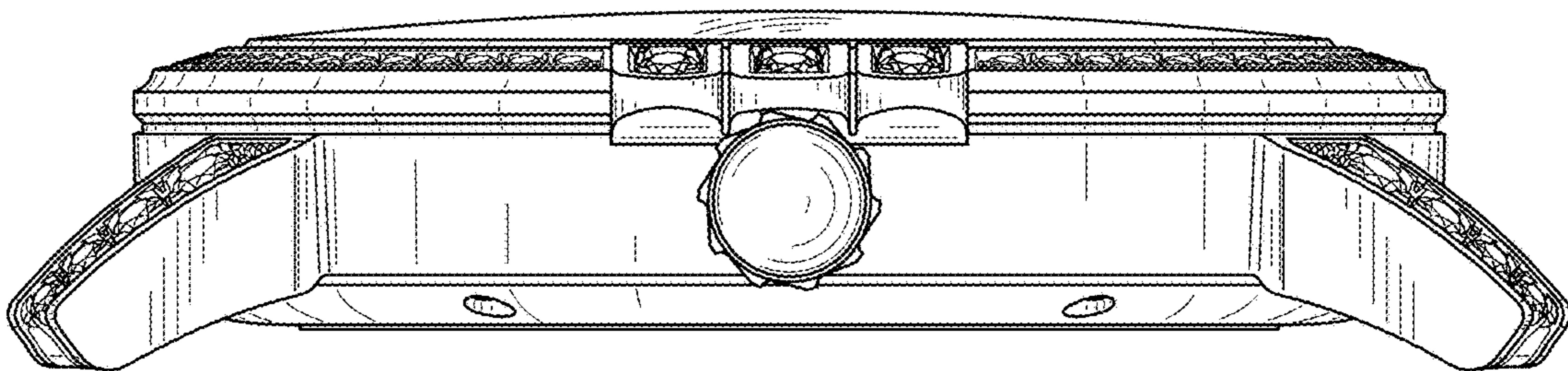


FIG. 5

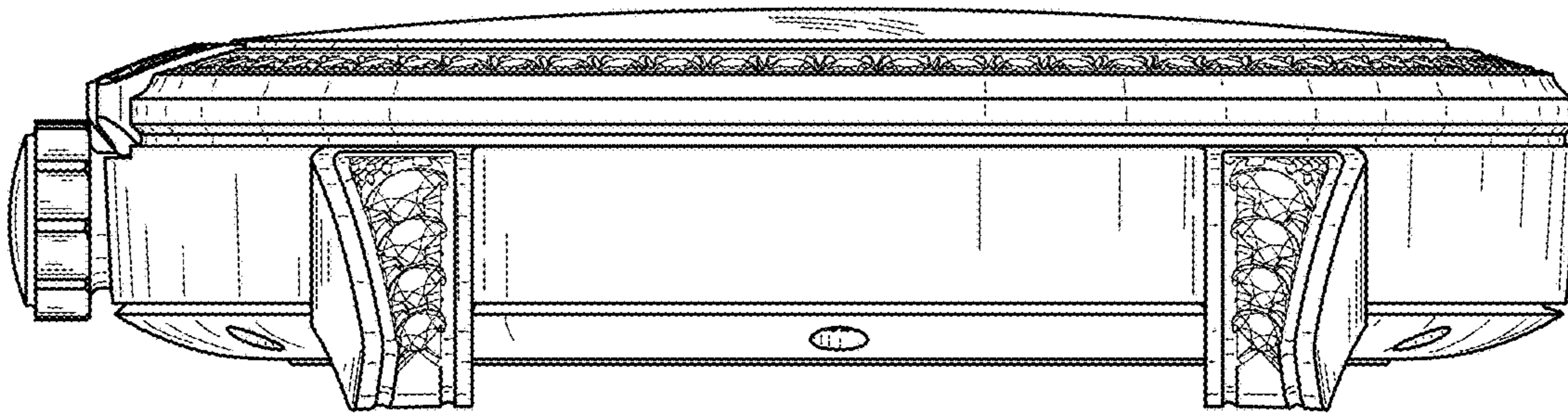


FIG. 6

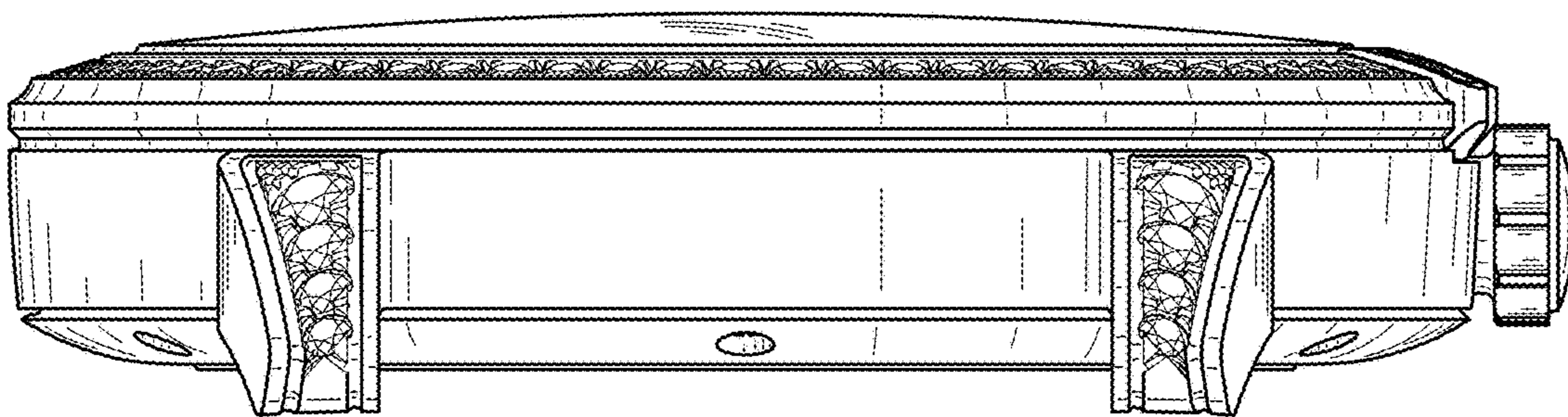


FIG. 7

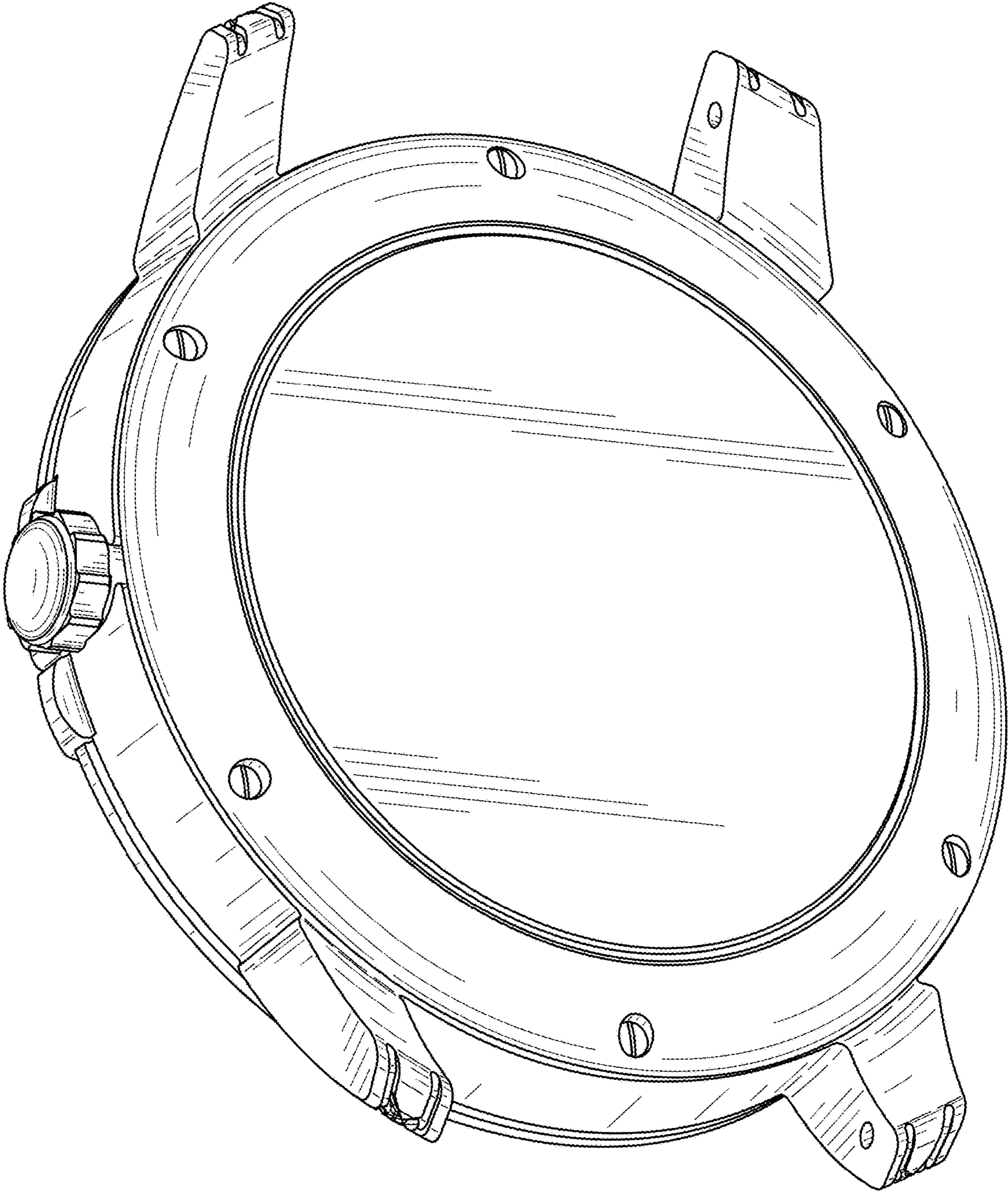


FIG. 8