



US00D793875S

(12) **United States Design Patent** (10) **Patent No.:** **US D793,875 S**  
**Mistry et al.** (45) **Date of Patent:** **\*\* Aug. 8, 2017**

(54) **ELECTRONIC WRIST DEVICE WITH BAND**

(71) Applicant: **SAMSUNG ELECTRONICS CO., LTD.**, Suwon-si (KR)

(72) Inventors: **Pranav Mistry**, Campbell, CA (US);  
**Curtis D. Aumiller**, San Jose, CA (US); **Chengyuan Wei**, Sunnyvale, CA (US); **Jiawei Zhang**, Sunnyvale, CA (US)

(73) Assignee: **SAMSUNG ELECTRONICS CO., LTD.**, Suwon-si (KR)

(\*\*) Term: **15 Years**

(21) Appl. No.: **29/550,032**

(22) Filed: **Dec. 30, 2015**

(51) **LOC (10) Cl.** ..... **10-02**

(52) **U.S. Cl.**  
USPC ..... **D10/32; D10/30; D14/344**

(58) **Field of Classification Search**  
USPC ..... D10/1-29, 30-39, 122-132; D14/344  
CPC ..... A44C 5/025; A44C 5/027; A44C 11/00;  
G04B 19/06; G04B 19/14; G04B 19/18;  
G04B 37/0008; G04B 37/0058; G04B  
37/1486

See application file for complete search history.

(56) **References Cited**

**U.S. PATENT DOCUMENTS**

D244,707 S \* 6/1977 Tiep ..... D10/38  
D622,164 S \* 8/2010 Mikkelsen ..... D10/32  
D677,177 S \* 3/2013 Nashimoto ..... D10/39  
D732,529 S \* 6/2015 Aumiller ..... D14/344  
D739,268 S \* 9/2015 Lammers-Meis ..... D10/30  
D754,548 S \* 4/2016 Block ..... D10/32

D759,652 S \* 6/2016 Aumiller ..... D14/344  
D764,592 S \* 8/2016 Zenoff ..... D20/42  
D768,623 S \* 10/2016 Zou ..... D10/39  
D769,868 S \* 10/2016 Isaacs ..... D14/344  
D773,049 S \* 11/2016 Wimmer, IV ..... D10/103  
D773,319 S \* 12/2016 Basargin ..... D10/38

**FOREIGN PATENT DOCUMENTS**

JP 2014102843 A \* 6/2014  
KR EP 2733581 A2 \* 5/2014 ..... G06F 3/014

\* cited by examiner

*Primary Examiner* — Sheryl Lane

*Assistant Examiner* — Samantha Wood

(74) *Attorney, Agent, or Firm* — Sughrue Mion, PLLC

(57) **CLAIM**

The ornamental design for an electronic wrist device with band, as shown and described.

**DESCRIPTION**

FIG. 1 is a top front perspective view of an electronic wrist device with band showing our new design;

FIG. 2 is a top view thereof;

FIG. 3 is a bottom view thereof;

FIG. 4 is a front view thereof;

FIG. 5 is a rear view thereof;

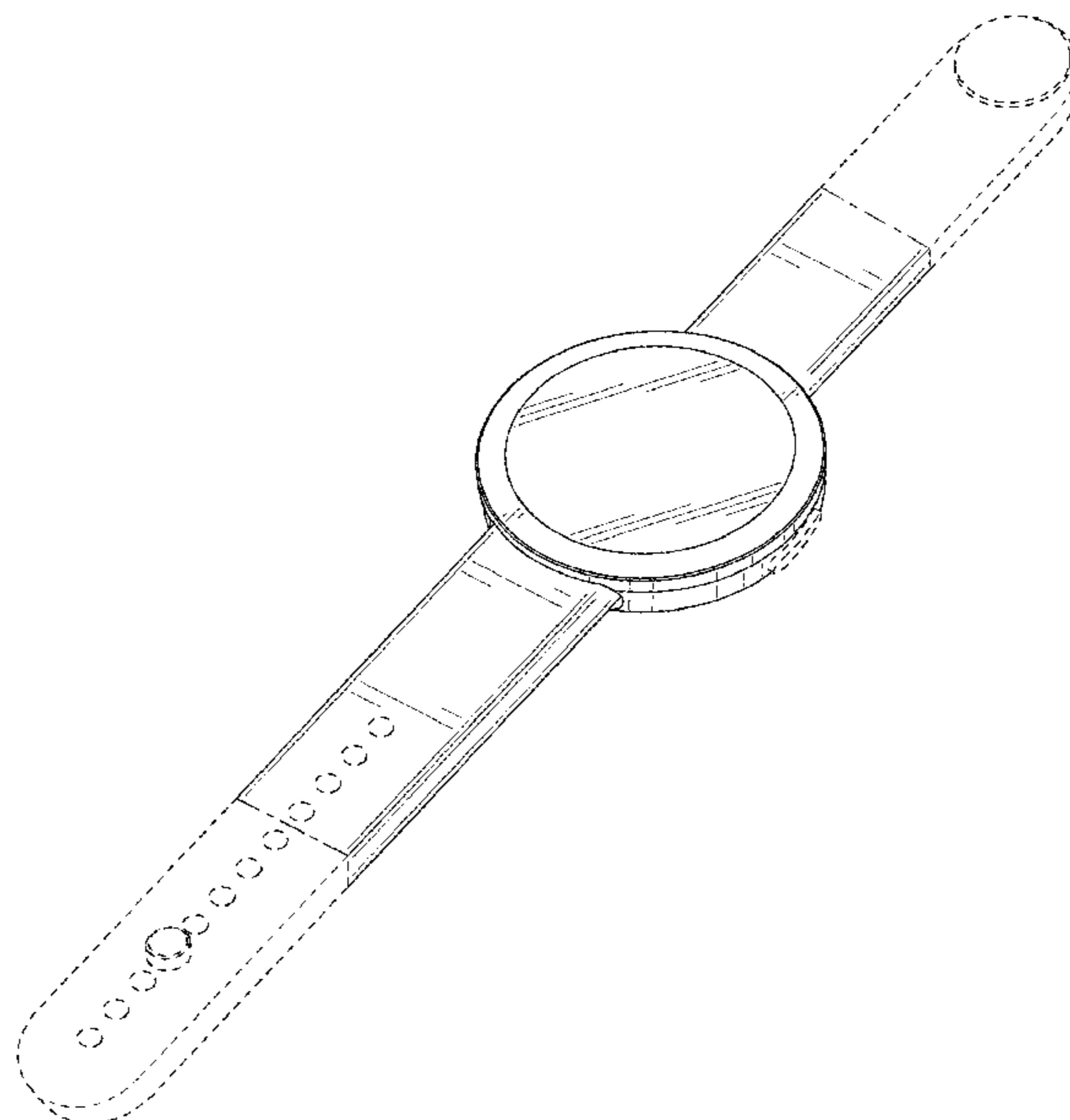
FIG. 6 is a left view thereof; and,

FIG. 7 is a right view thereof;

The broken line showing of the wrist band is included for the purpose of illustrating the environmental structure and forms no part of the claimed design.

The dash-dot broken line(s) define the bounds of the claimed design and form no part thereof.

**1 Claim, 5 Drawing Sheets**



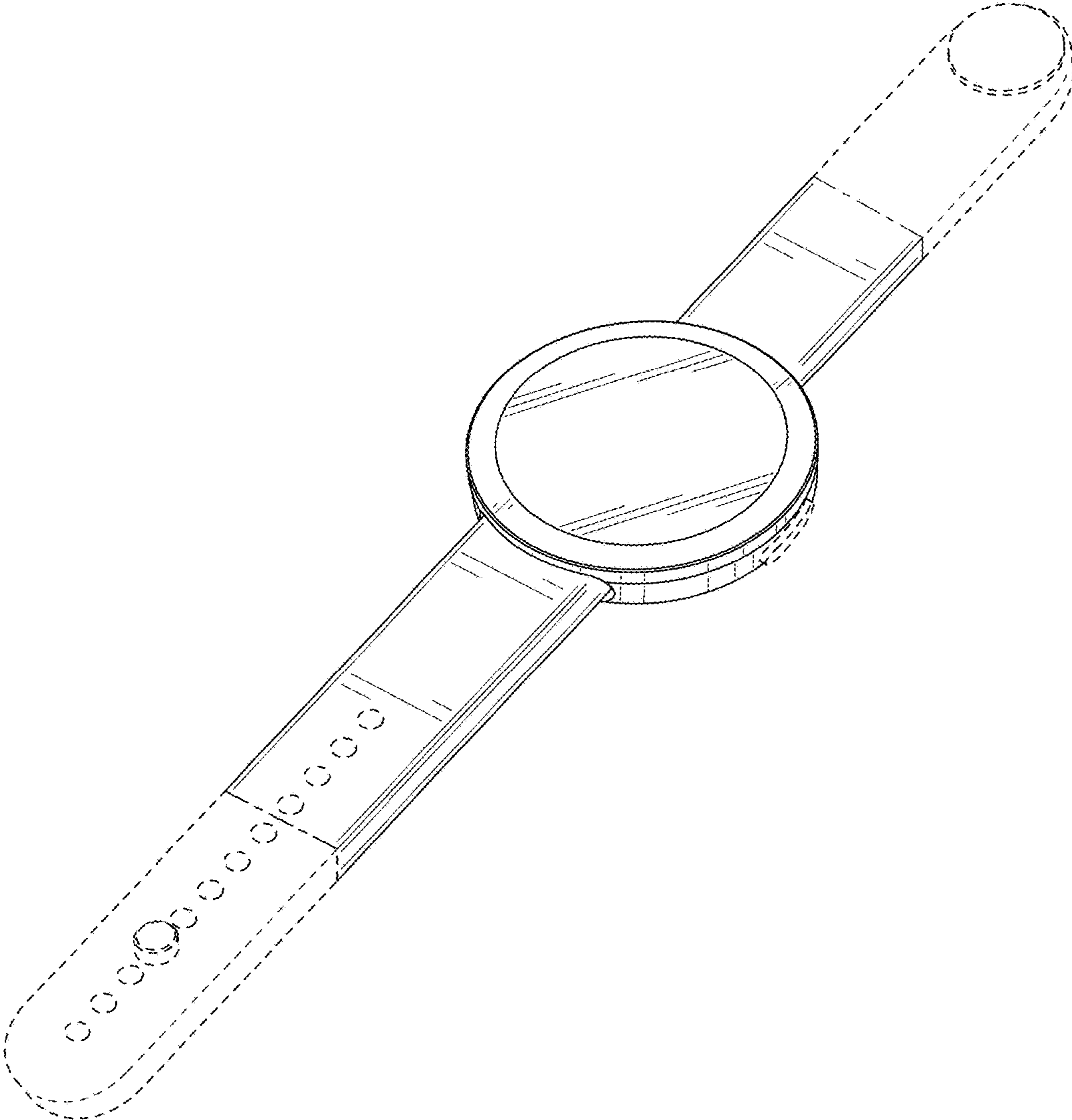


FIG. 1

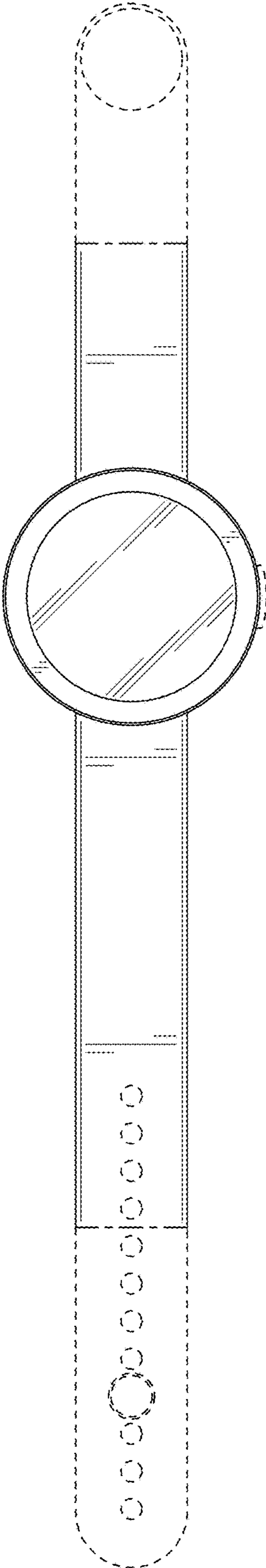


FIG. 2

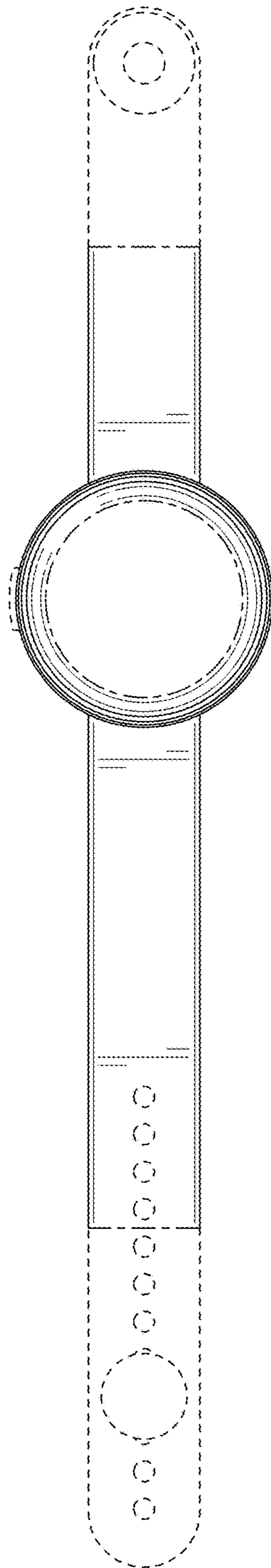


FIG. 3

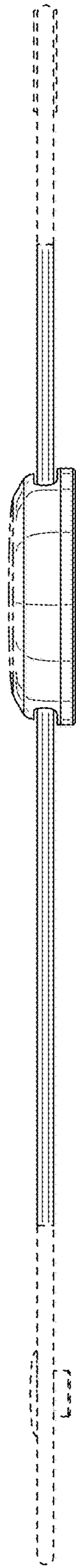


FIG. 4

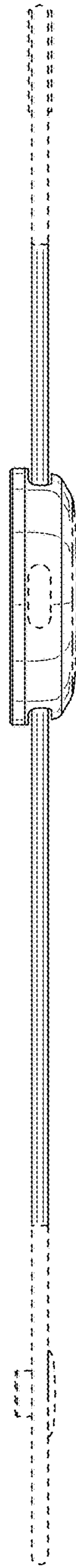


FIG. 5

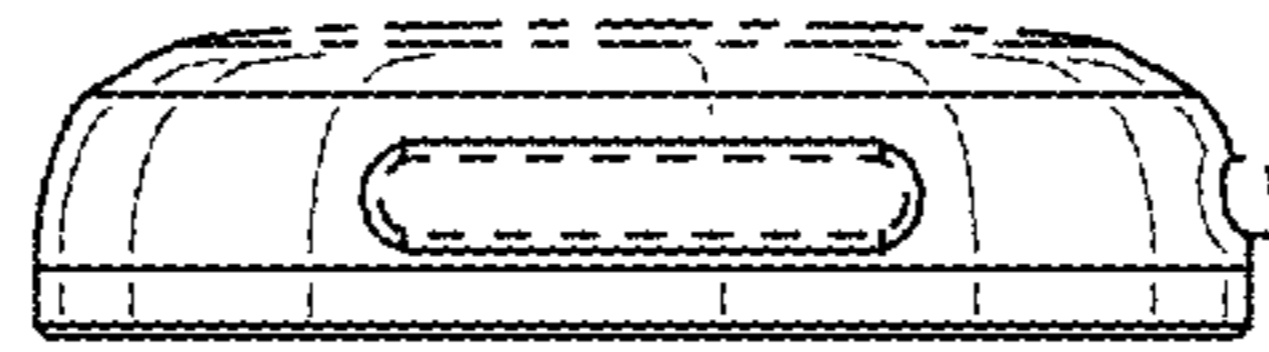


FIG. 6

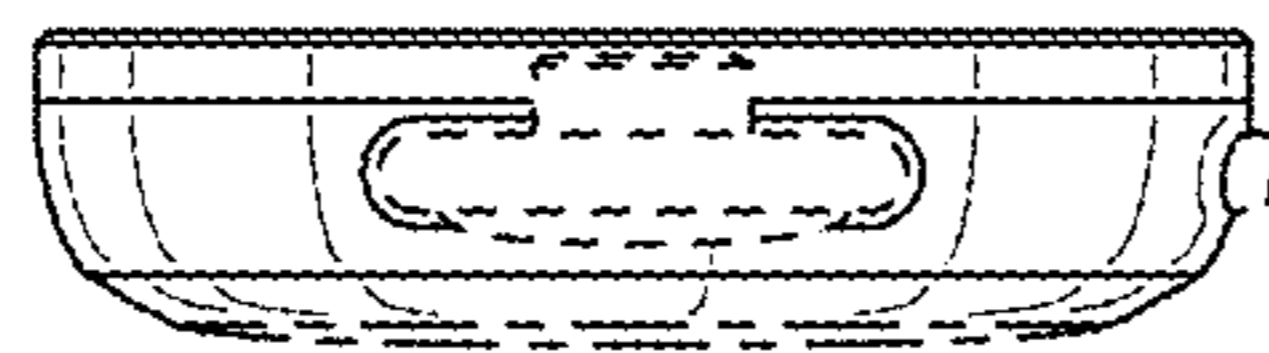


FIG. 7