



US00D793873S

(12) **United States Design Patent**
Lasserre

(10) **Patent No.:** **US D793,873 S**

(45) **Date of Patent:** **** Aug. 8, 2017**

(54) **WATCHCASE**

(71) Applicant: **HARRY WINSTON SA,**
Plan-les-Ouates (CH)

(72) Inventor: **Christophe Lasserre,** Genève (CH)

(73) Assignee: **HARRY WINSTON SA,**
Plan-les-Ouates (CH)

(**) Term: **15 Years**

(21) Appl. No.: **29/538,718**

(22) Filed: **Sep. 8, 2015**

(30) **Foreign Application Priority Data**

Mar. 6, 2015 (WO) DM/085782

(51) **LOC (10) Cl.** **10-02**

(52) **U.S. Cl.**
USPC **D10/30**

(58) **Field of Classification Search**
USPC D10/1, 17, 22, 30-39, 122-132; D11/3,
D11/16, 44
CPC G04B 45/0069; G04B 45/0076; G04B
47/04; G04B 47/042; G04B 37/0008;
G04B 19/06; G04F 7/08
See application file for complete search history.

(56) **References Cited**

U.S. PATENT DOCUMENTS

2,706,379	A *	4/1955	Fitzpatrick, Jr. ...	G04B 37/0427	368/281
2,752,752	A *	7/1956	Simpson	G04B 37/084	368/287
2,830,434	A *	4/1958	Trautz	G04B 37/083	368/292
2,845,773	A *	8/1958	Sakalys	G04B 37/086	368/286
D356,041	S *	3/1995	Bulgari	D10/30	

D386,984	S *	12/1997	Kubisch	D10/30
D416,494	S *	11/1999	Pitteloud	D10/30
D416,495	S *	11/1999	Pitteloud	D10/30
D423,373	S *	4/2000	Wunderman	D10/30
D424,951	S *	5/2000	Inui	D10/30
D433,341	S *	11/2000	Versace	D10/30
D458,851	S *	6/2002	Haquet	D10/30
D464,273	S *	10/2002	Nussbaum	D10/30
D508,415	S *	8/2005	Kojima	D10/30
D554,540	S *	11/2007	Actis-Datta	D10/38
D558,611	S *	1/2008	Wei	D10/38
D575,167	S *	8/2008	Giannini	D10/32
D665,276	S *	8/2012	Rabassa	D10/38
D666,109	S *	8/2012	Galli	D10/38
D760,095	S *	6/2016	Jeannet	D10/30
D767,412	S *	9/2016	Voirin	D10/30
2002/0031052	A1 *	3/2002	Nussbaum	A44C 5/00
				368/281
2005/0152227	A1 *	7/2005	Saunier	G04B 37/1486
				368/282

* cited by examiner

Primary Examiner — Sandra Snapp

Assistant Examiner — Katherine Glennon

(74) *Attorney, Agent, or Firm* — Donald J. Ranft; Collen IP

(57) **CLAIM**

The ornamental design for a watchcase, as shown.

DESCRIPTION

FIG. 1 is a front right perspective view of a watchcase showing my new design;

FIG. 2 is a front view thereof;

FIG. 3 is a rear view thereof;

FIG. 4 is a left side view thereof;

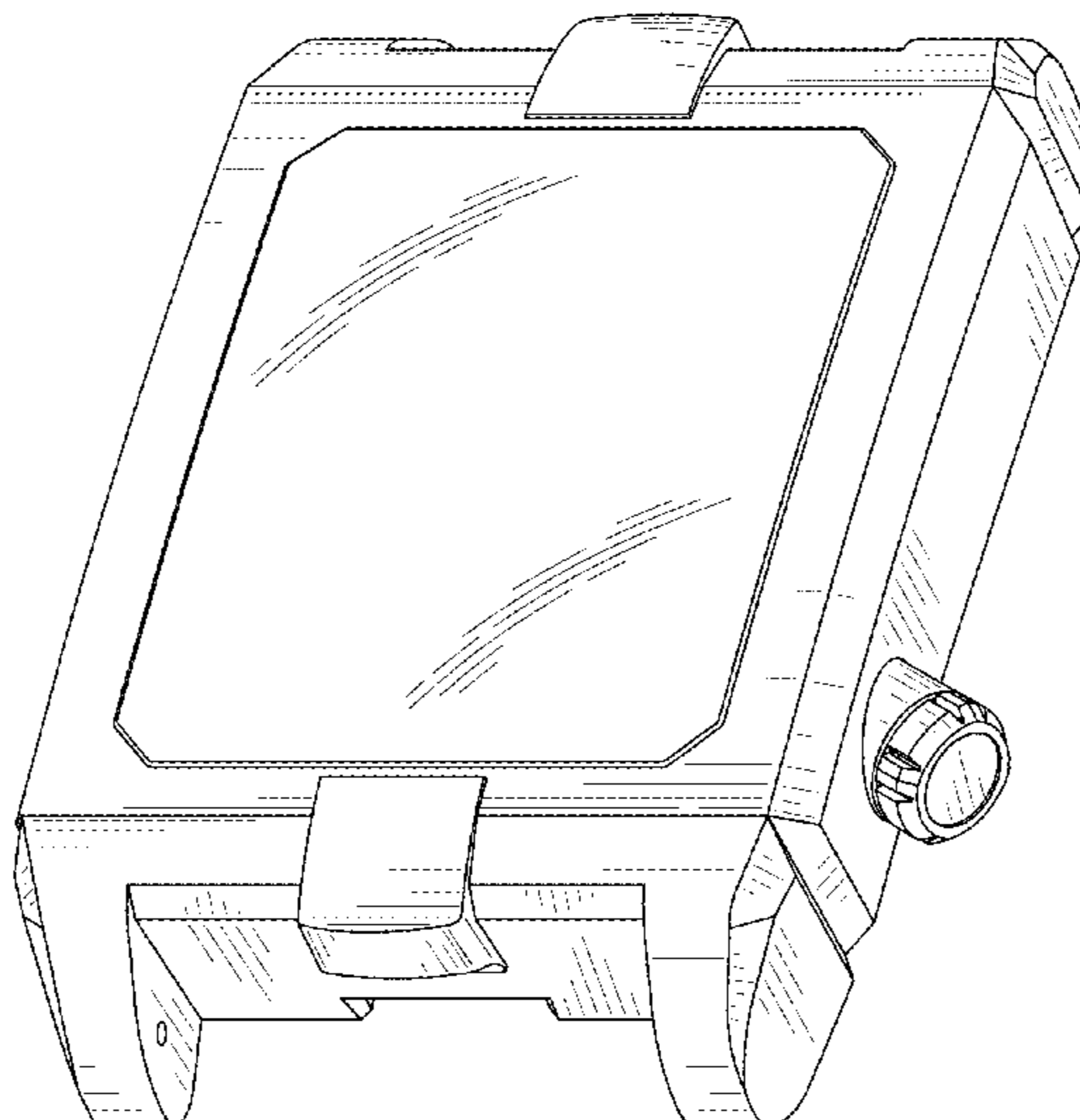
FIG. 5 is a right side view thereof;

FIG. 6 is a top view thereof;

FIG. 7 is a bottom view thereof; and,

FIG. 8 is a rear right perspective view thereof.

1 Claim, 6 Drawing Sheets



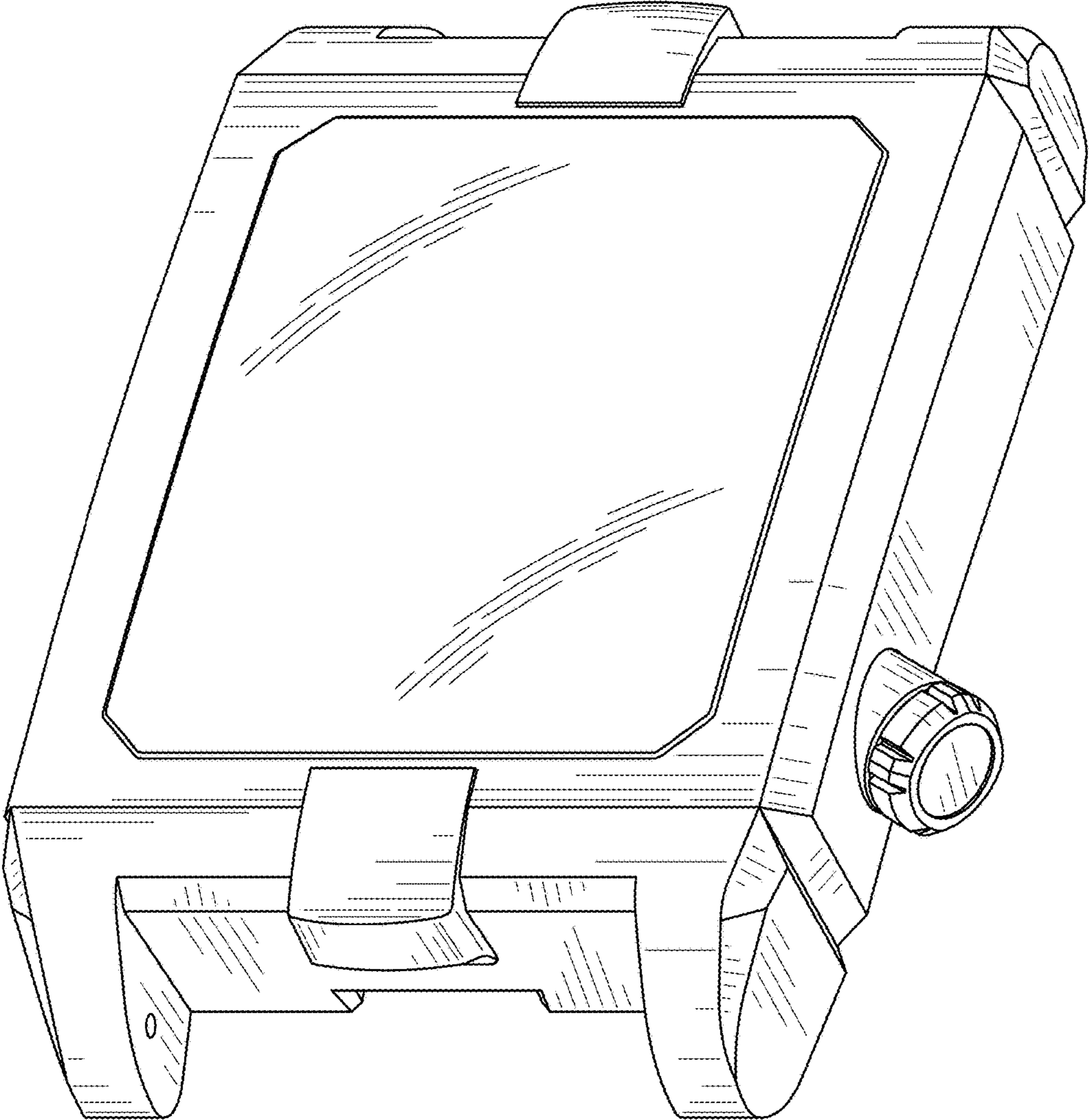


FIG. 1

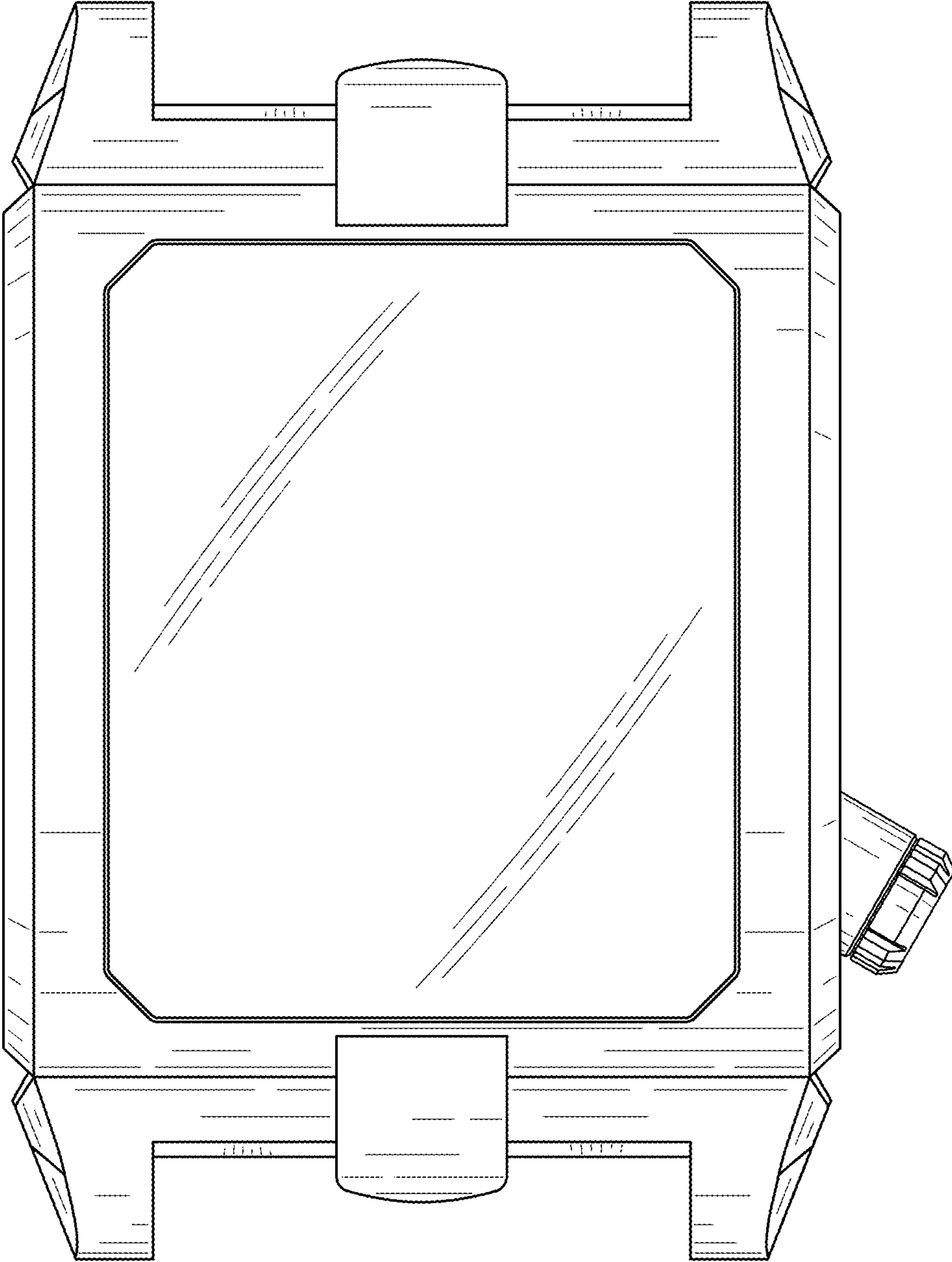


FIG. 2

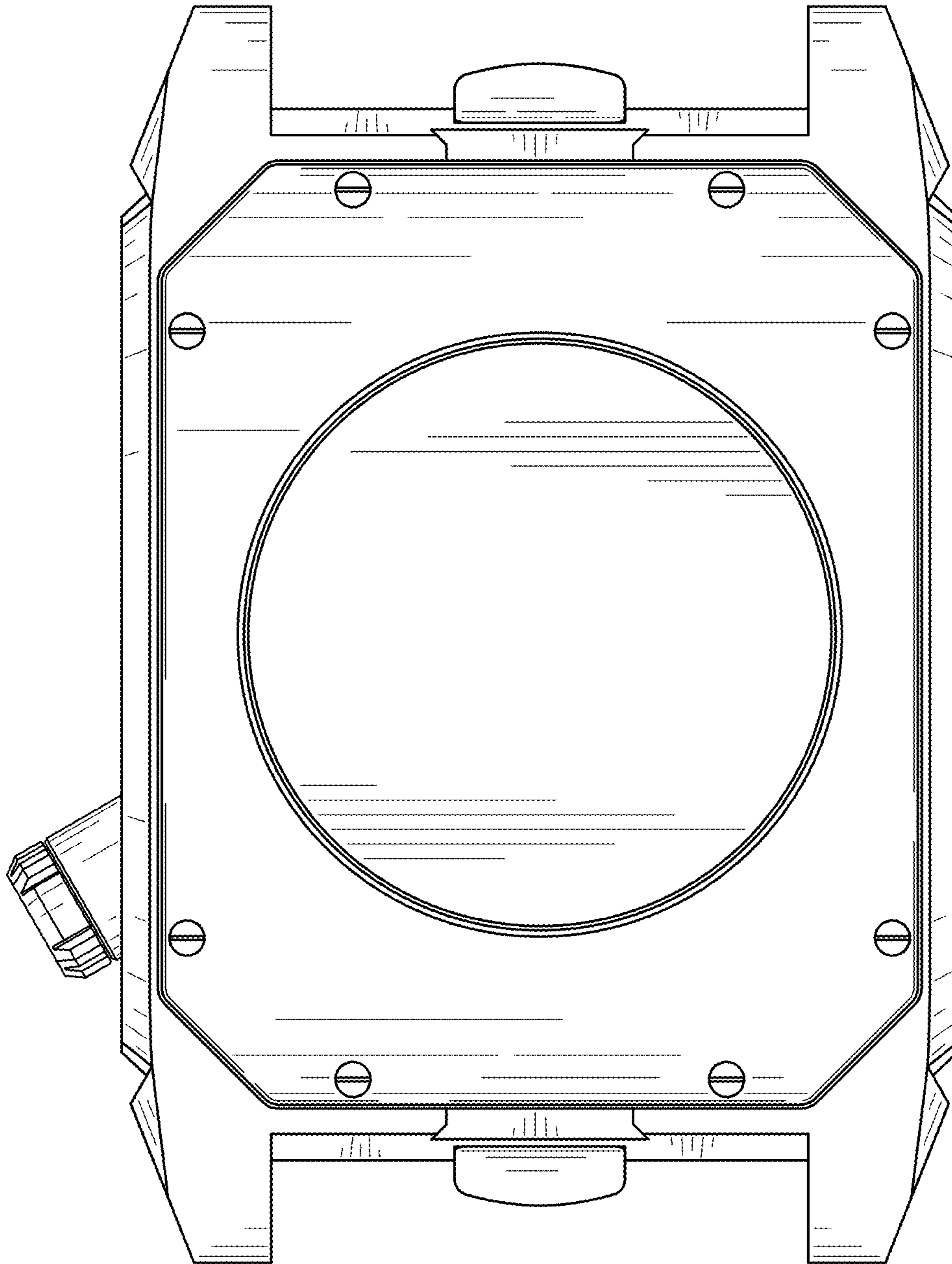


FIG. 3

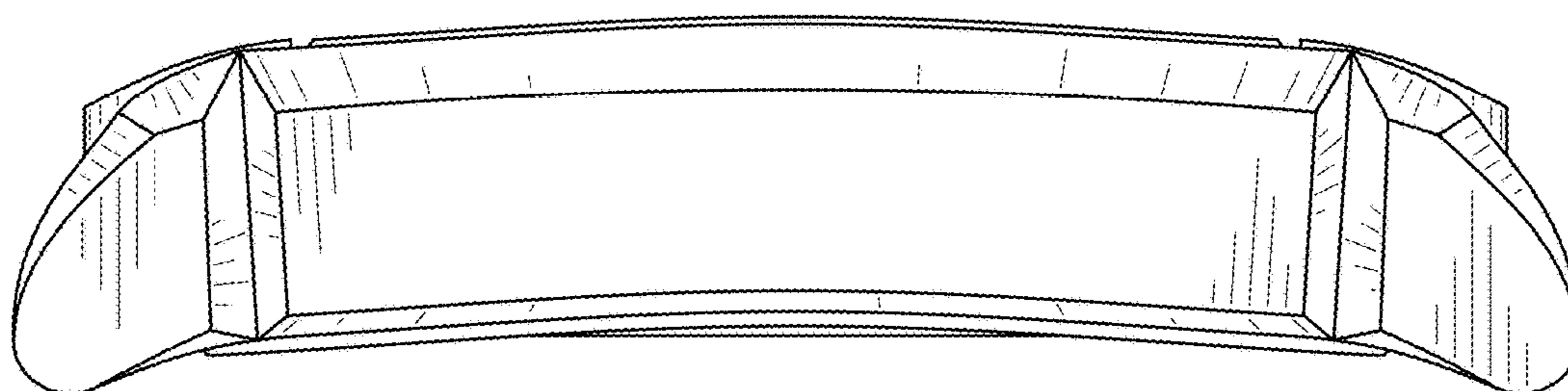


FIG. 4

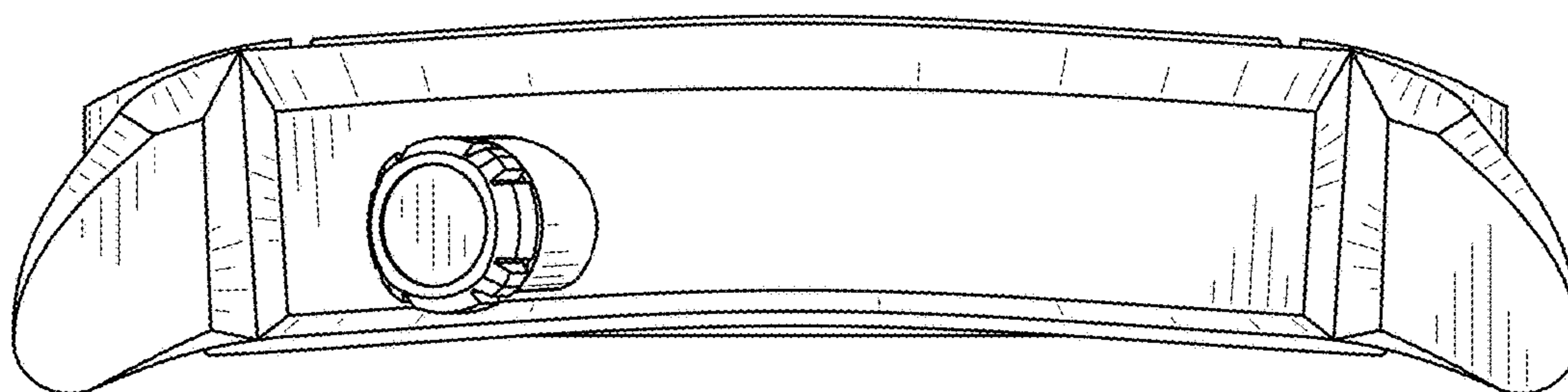


FIG. 5

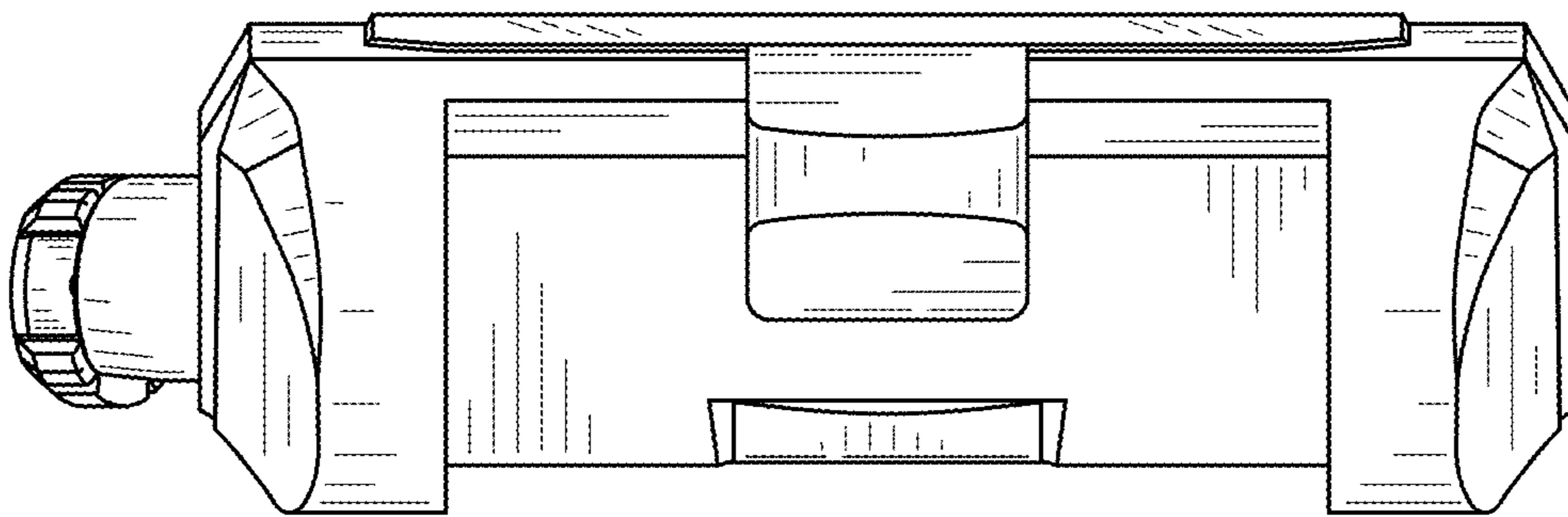


FIG. 6

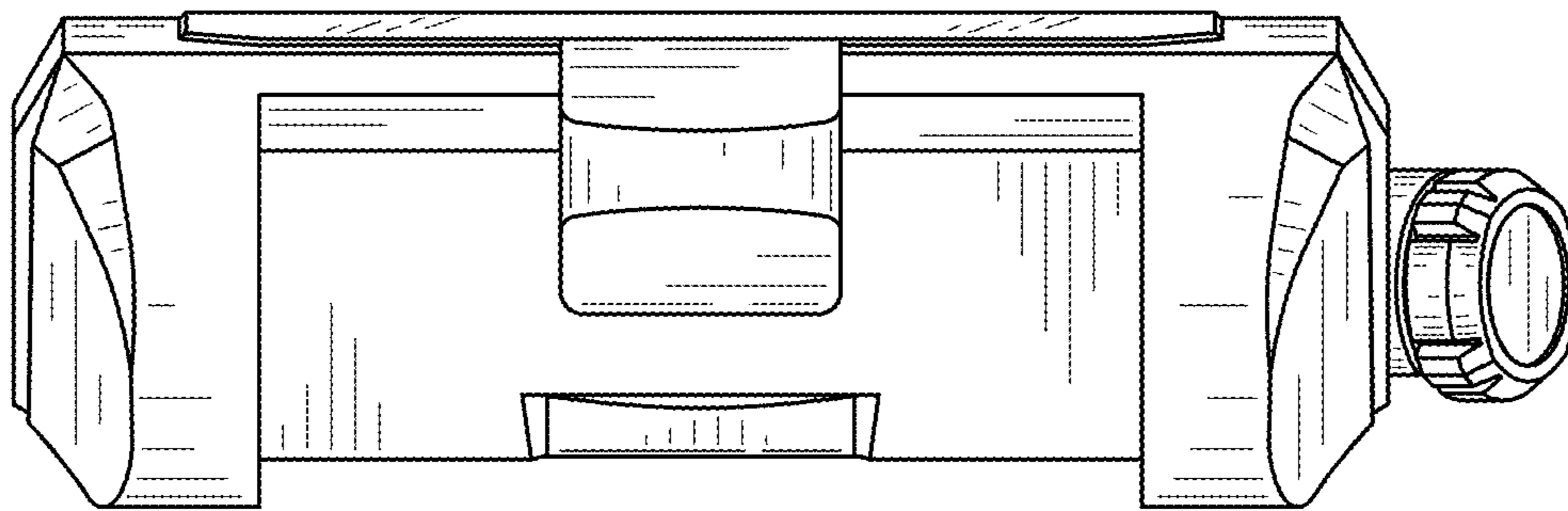


FIG. 7

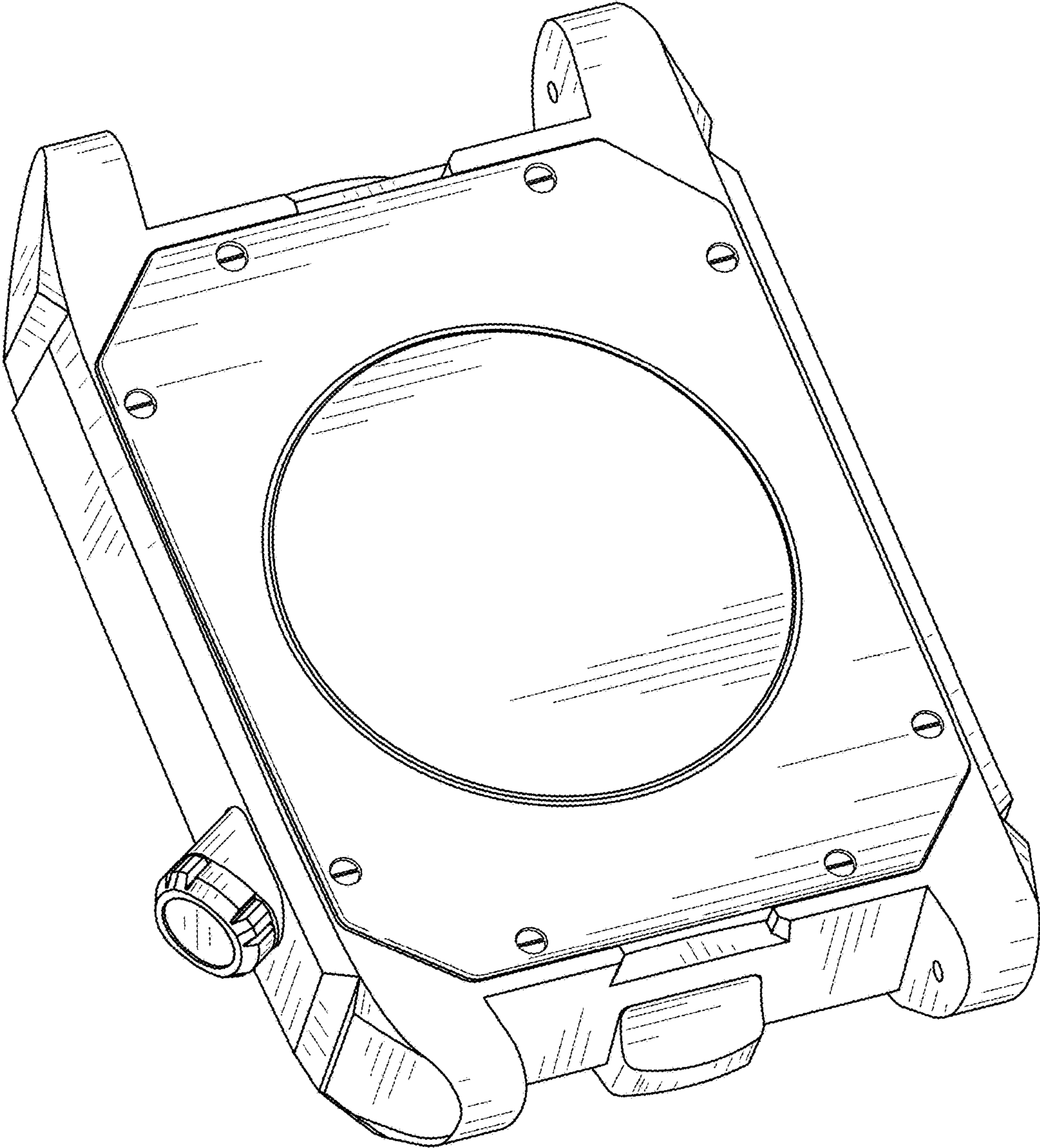


FIG. 8