



US00D793872S

(12) **United States Design Patent** (10) **Patent No.:** **US D793,872 S**  
**Lasserre** (45) **Date of Patent:** **\*\* Aug. 8, 2017**

(54) **WATCHCASE**  
(71) Applicant: **HARRY WINSTON SA,**  
Plan-les-Ouates (CH)  
(72) Inventor: **Christophe Lasserre,** Genève (CH)  
(73) Assignee: **HARRY WINSTON SA,**  
Plan-les-Ouates (CH)  
(\*\*) Term: **15 Years**

D620,383 S *	7/2010	Levy	.....	D10/128
D649,069 S *	11/2011	Galli	.....	D10/30
D671,015 S *	11/2012	Monachon	.....	D10/32
D674,710 S *	1/2013	Monachon	.....	D10/32
D675,112 S *	1/2013	Giannini	.....	D10/33
D685,666 S *	7/2013	Nakai	.....	D10/128
D694,655 S *	12/2013	Rufenacht	.....	D10/38
D703,555 S *	4/2014	Monachon	.....	D10/32
D704,574 S *	5/2014	Lasserre	.....	D10/39
D708,966 S *	7/2014	Lasserre	.....	D10/39
D726,557 S *	4/2015	Lasserre	.....	D10/39
D733,584 S *	7/2015	Kamilindi	.....	D10/39
D762,494 S *	8/2016	Galli	.....	D10/126

(21) Appl. No.: **29/538,702**

(22) Filed: **Sep. 7, 2015**

(30) **Foreign Application Priority Data**

Mar. 5, 2015 (WO) ..... DM/085762

(51) **LOC (10) Cl.** ..... **10-02**

(52) **U.S. Cl.**  
USPC ..... **D10/30**

(58) **Field of Classification Search**  
USPC ..... D10/1, 17, 22, 30-39, 122-132; D11/3,  
D11/16, 44  
CPC ..... G04B 45/0069; G04B 45/0076; G04B  
47/04; G04B 47/042; G04B 37/0008;  
G04B 19/06; G04F 7/08  
See application file for complete search history.

(56) **References Cited**

**U.S. PATENT DOCUMENTS**

D348,010 S *	6/1994	Riley	.....	D10/30
D380,690 S *	7/1997	Riley	.....	D10/30
D390,148 S *	2/1998	Brzezinski	.....	D10/30
5,943,299 A *	8/1999	Genta	.....	G04B 19/241 368/28
D451,405 S *	12/2001	Yoshikawa	.....	D10/30
D502,412 S *	3/2005	Monachon	.....	D10/39
D508,860 S *	8/2005	Plan	.....	D10/39
D591,180 S *	4/2009	Monachon	.....	D10/39
D614,512 S *	4/2010	Monachon	.....	D10/32

**OTHER PUBLICATIONS**

Harry Winston Project Z8 | posted at watchonista.com 2014 ©  
Watchonista The Watches Network, 2017 [online][site visited May  
10, 2017]. Available from Internet: <<http://www.watchonista.com/harry-winston/watches/project-z8>>.\*

\* cited by examiner

*Primary Examiner* — Sandra Snapp  
*Assistant Examiner* — Katherine Glennon  
(74) *Attorney, Agent, or Firm* — Donald J. Ranft; Collen  
IP

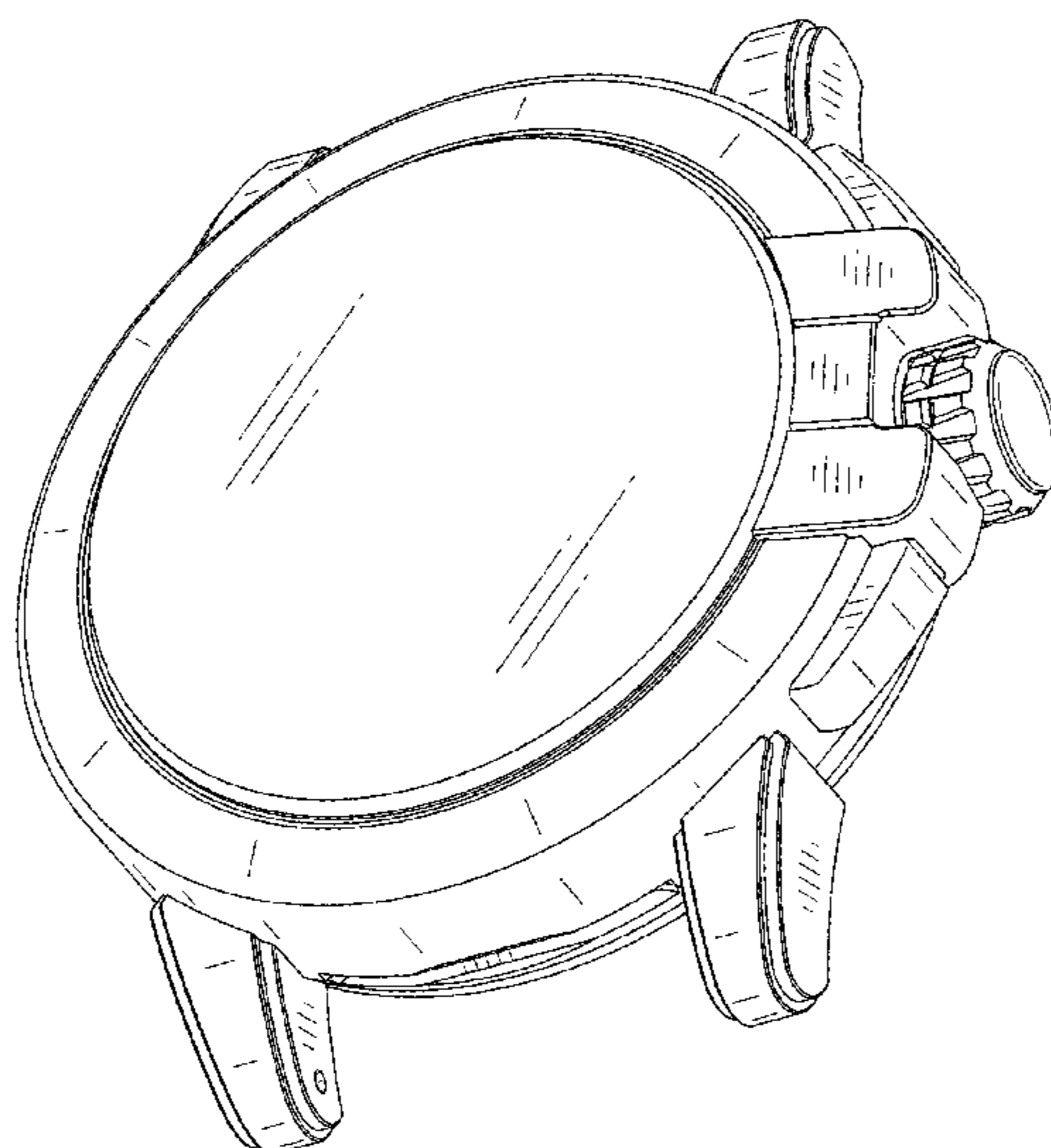
(57) **CLAIM**

The ornamental design for a watchcase, as shown.

**DESCRIPTION**

FIG. 1 is a front right perspective view of a watchcase showing my new design;  
FIG. 2 is a rear right perspective view thereof;  
FIG. 3 is a front view thereof;  
FIG. 4 is a rear view thereof;  
FIG. 5 is a right side view thereof;  
FIG. 6 is a left side view thereof;  
FIG. 7 is a bottom view thereof; and,  
FIG. 8 is a top view thereof.

**1 Claim, 6 Drawing Sheets**



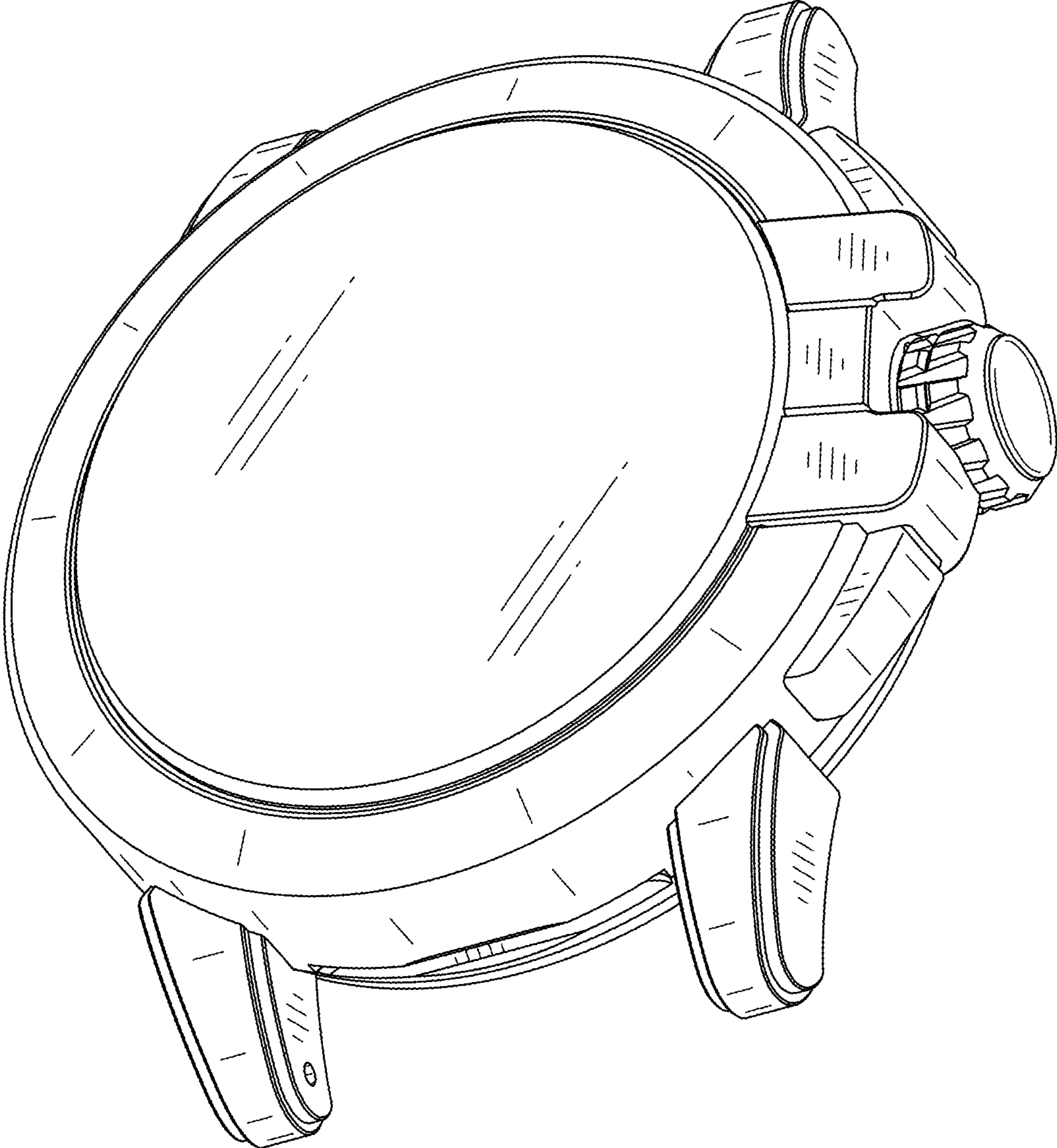


FIG. 1

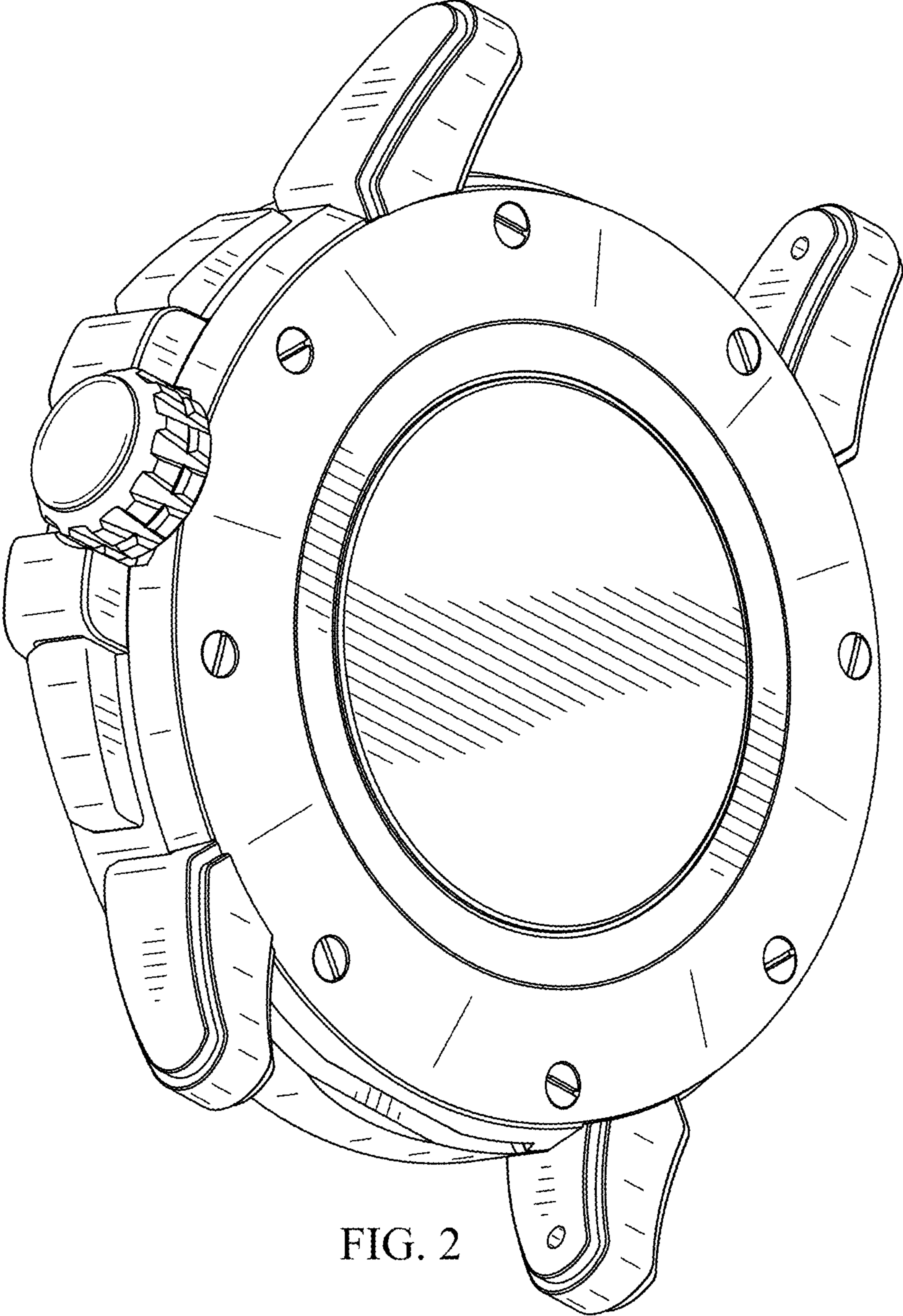


FIG. 2

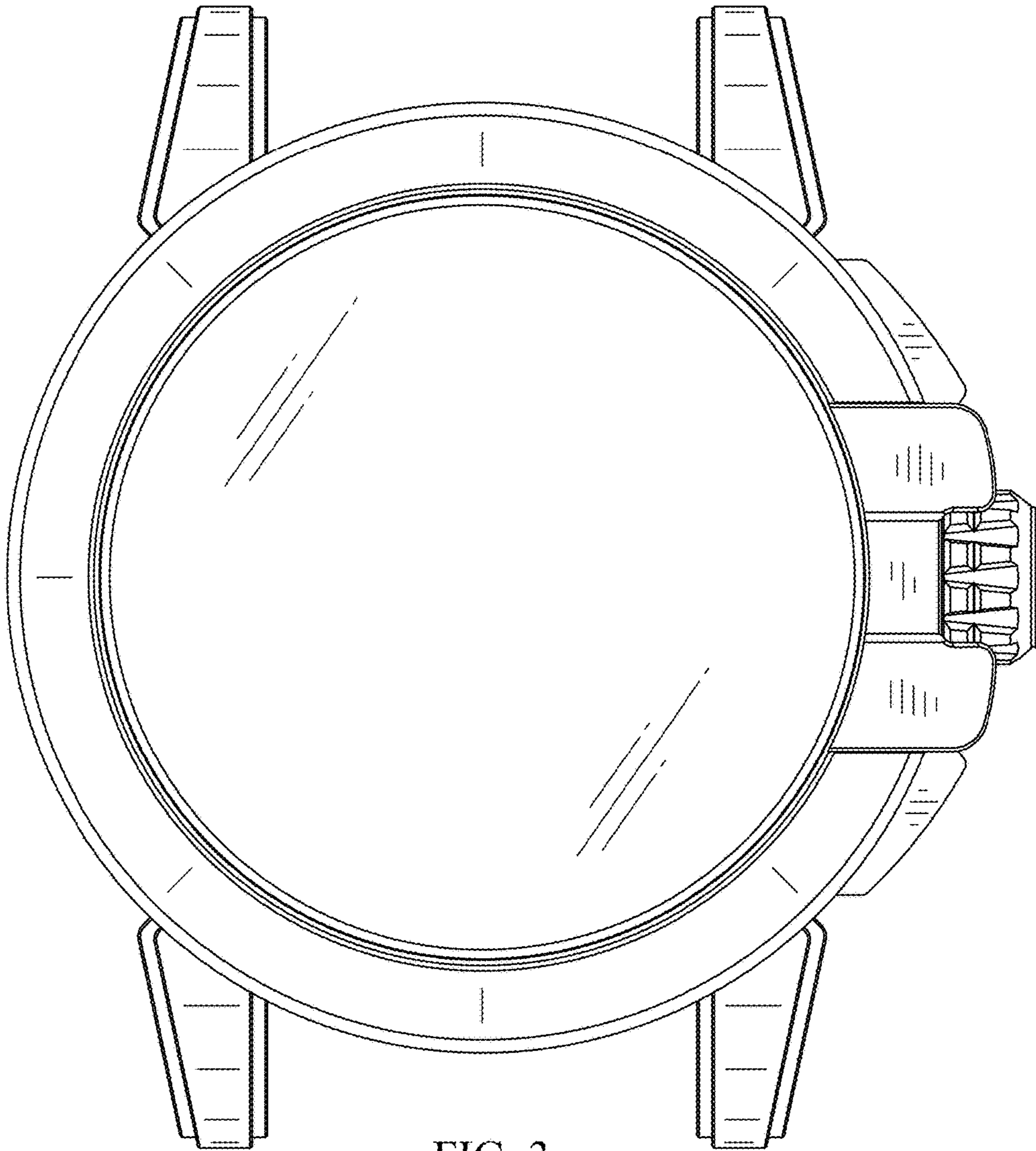


FIG. 3

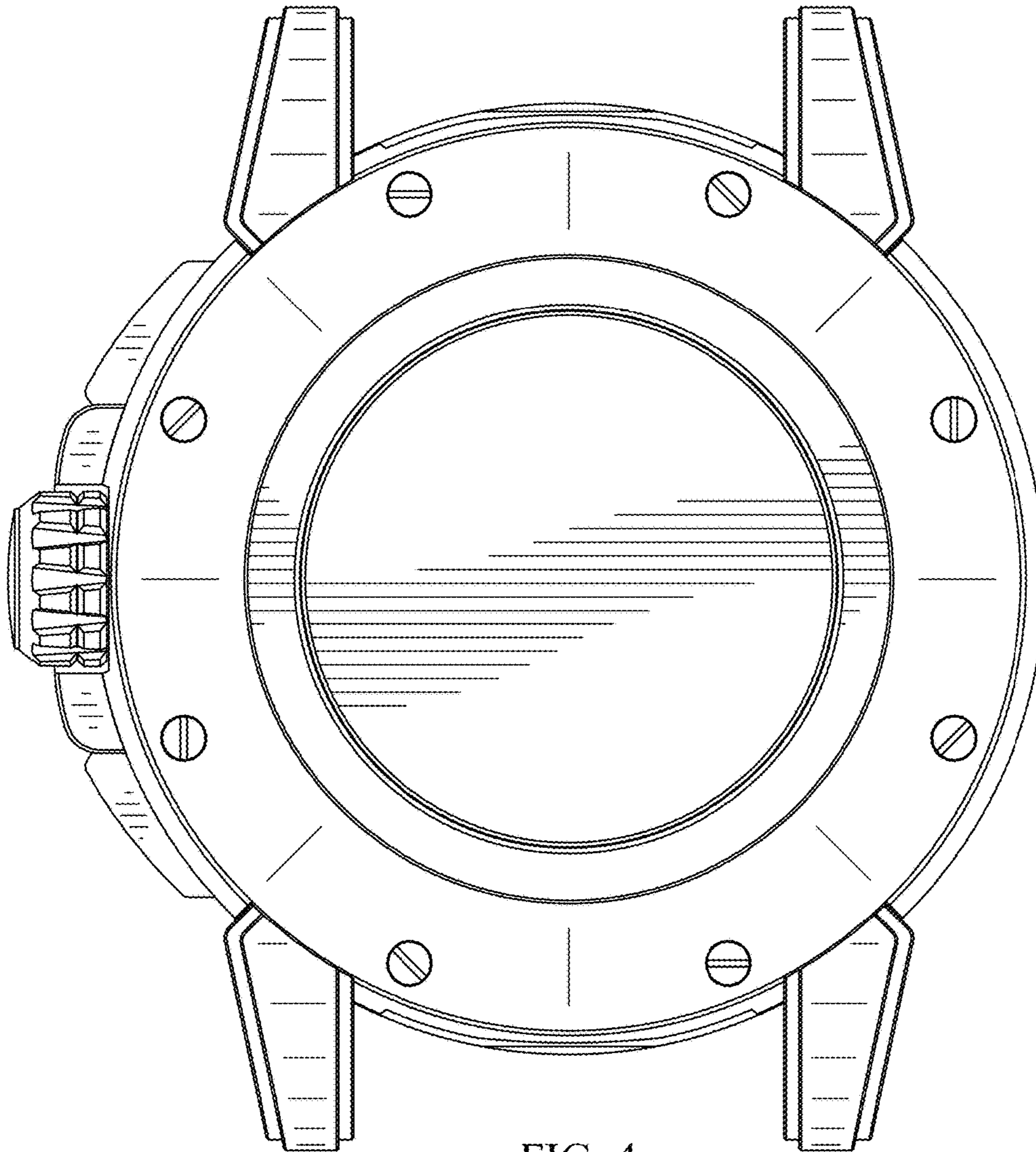


FIG. 4

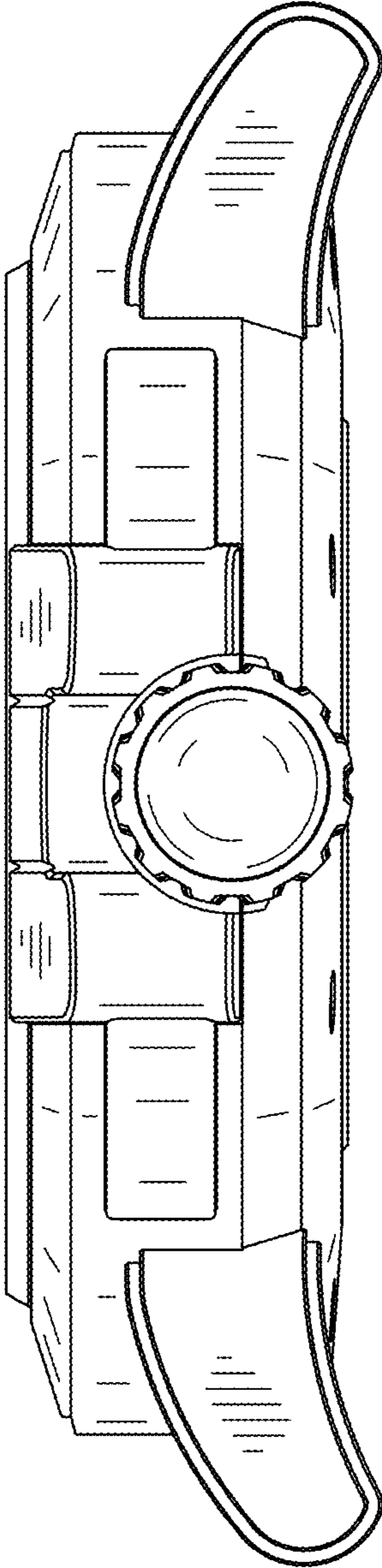


FIG. 5

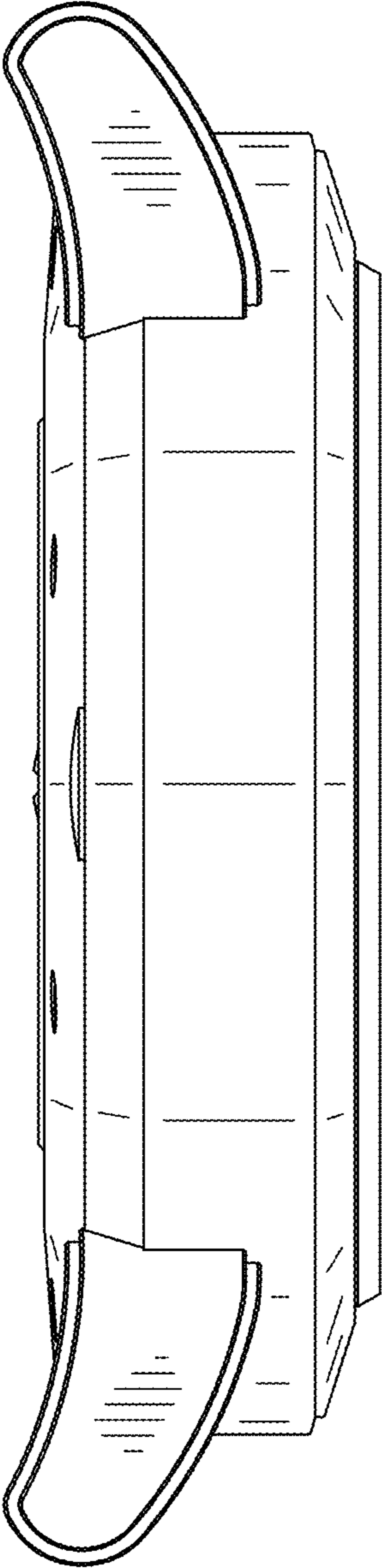


FIG. 6

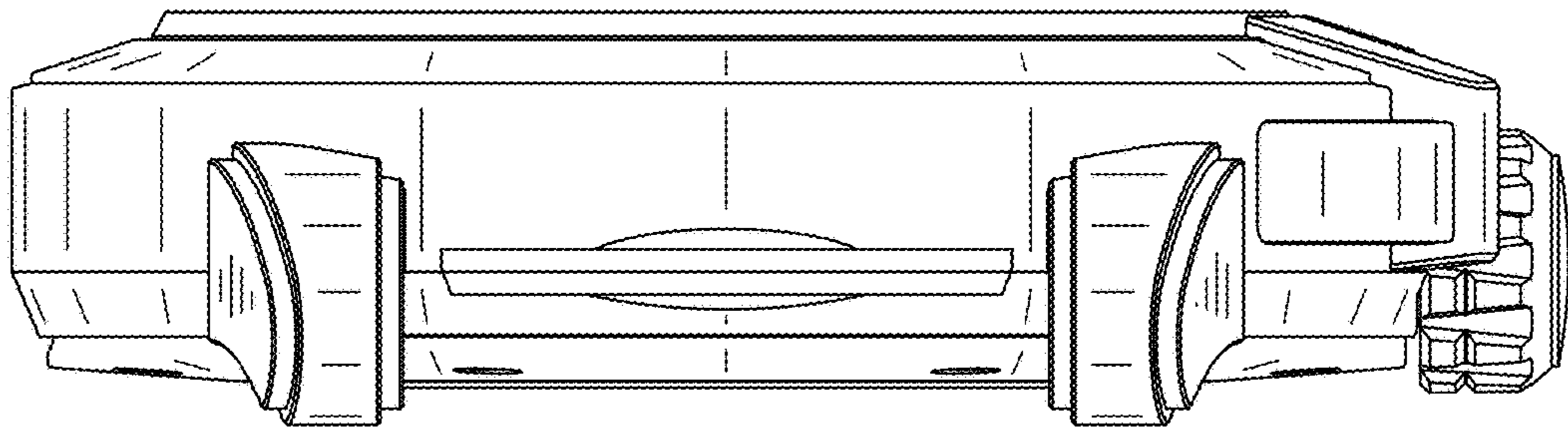


FIG. 7

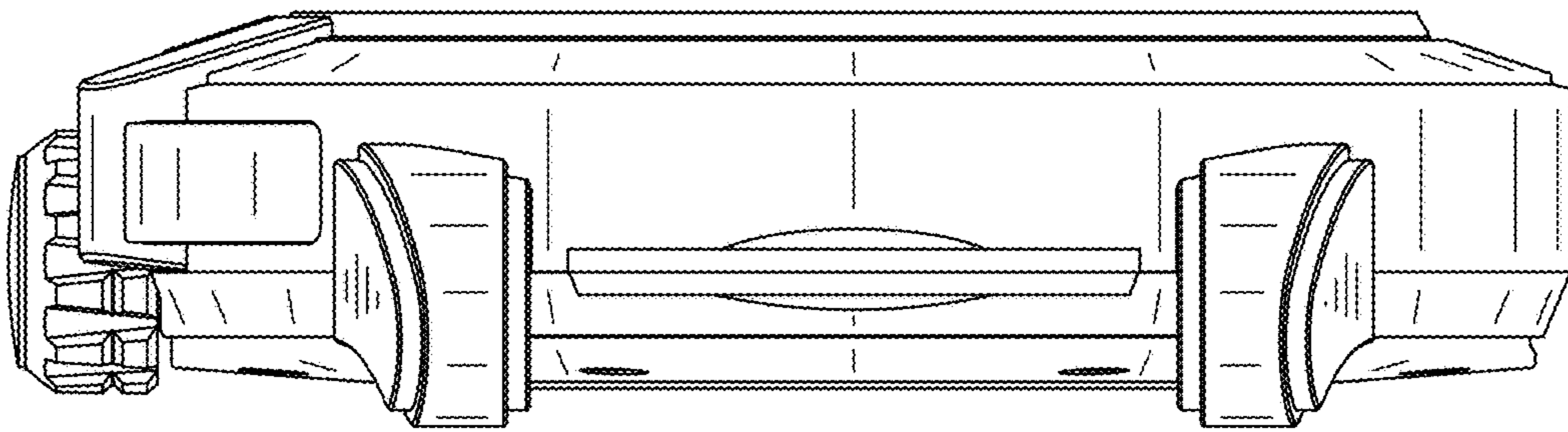


FIG. 8