



US00D793869S

(12) **United States Design Patent** (10) **Patent No.:** **US D793,869 S**  
**Jeon** (45) **Date of Patent:** **\*\* Aug. 8, 2017**

(54) **BLUETOOTH ALARM CLOCK RADIO**

(71) Applicant: **Sunki Jeon**, Paramus, NJ (US)

(72) Inventor: **Sunki Jeon**, Paramus, NJ (US)

(73) Assignee: **SDI TECHNOLOGIES, INC.**,  
Rahway, NJ (US)

(\*\*) Term: **15 Years**

(21) Appl. No.: **29/545,501**

(22) Filed: **Nov. 13, 2015**

(51) **LOC (10) Cl.** ..... **10-01**

(52) **U.S. Cl.**  
USPC ..... **D10/2**

(58) **Field of Classification Search**  
USPC ..... D10/1-41, 122-124, 126, 128, 131;  
D14/344, 138 R; D24/167, 186;  
D11/3-7, 40, 43  
CPC ..... G04B 19/00; G04B 19/06; G04B 19/08;  
G04B 19/10; G04B 19/108; G04B 19/22;  
G04B 19/26; G04B 19/262; G04B 37/00;  
G04B 37/081; G04B 37/084; G04B  
37/05; G04B 37/10; G04B 37/1446;  
G04B 37/1466; G08B 25/016; G04G  
17/00; G04G 17/08; G04D 7/12; G04D  
7/1214

See application file for complete search history.

(56) **References Cited**

**U.S. PATENT DOCUMENTS**

D276,703 S \* 12/1984 Au ..... D10/15  
D312,578 S \* 12/1990 Kumakura ..... D10/22  
D326,614 S \* 6/1992 Hwang ..... D10/10  
D392,901 S \* 3/1998 Mok ..... D10/22

D406,774 S \* 3/1999 Sinisi ..... D10/40  
D450,049 S \* 11/2001 Lacotta ..... D14/171  
D460,362 S \* 7/2002 Kalman ..... D10/1  
D460,920 S \* 7/2002 Kalman ..... D10/22  
D478,890 S \* 8/2003 Ng ..... D14/170  
7,048,433 B1 \* 5/2006 Bhavnani ..... G04B 37/127  
368/225  
D525,880 S \* 8/2006 Okamura ..... D10/15  
7,149,152 B1 \* 12/2006 Chan ..... G03B 29/00  
368/10  
D567,673 S \* 4/2008 Chu ..... D10/15  
D600,569 S \* 9/2009 Sadler ..... D10/15  
D615,878 S \* 5/2010 Berliat ..... D10/22  
D696,967 S \* 1/2014 Mombauer ..... D10/22

\* cited by examiner

*Primary Examiner* — Sandra Snapp

(74) *Attorney, Agent, or Firm* — Ostrolenk Faber LLP

(57) **CLAIM**

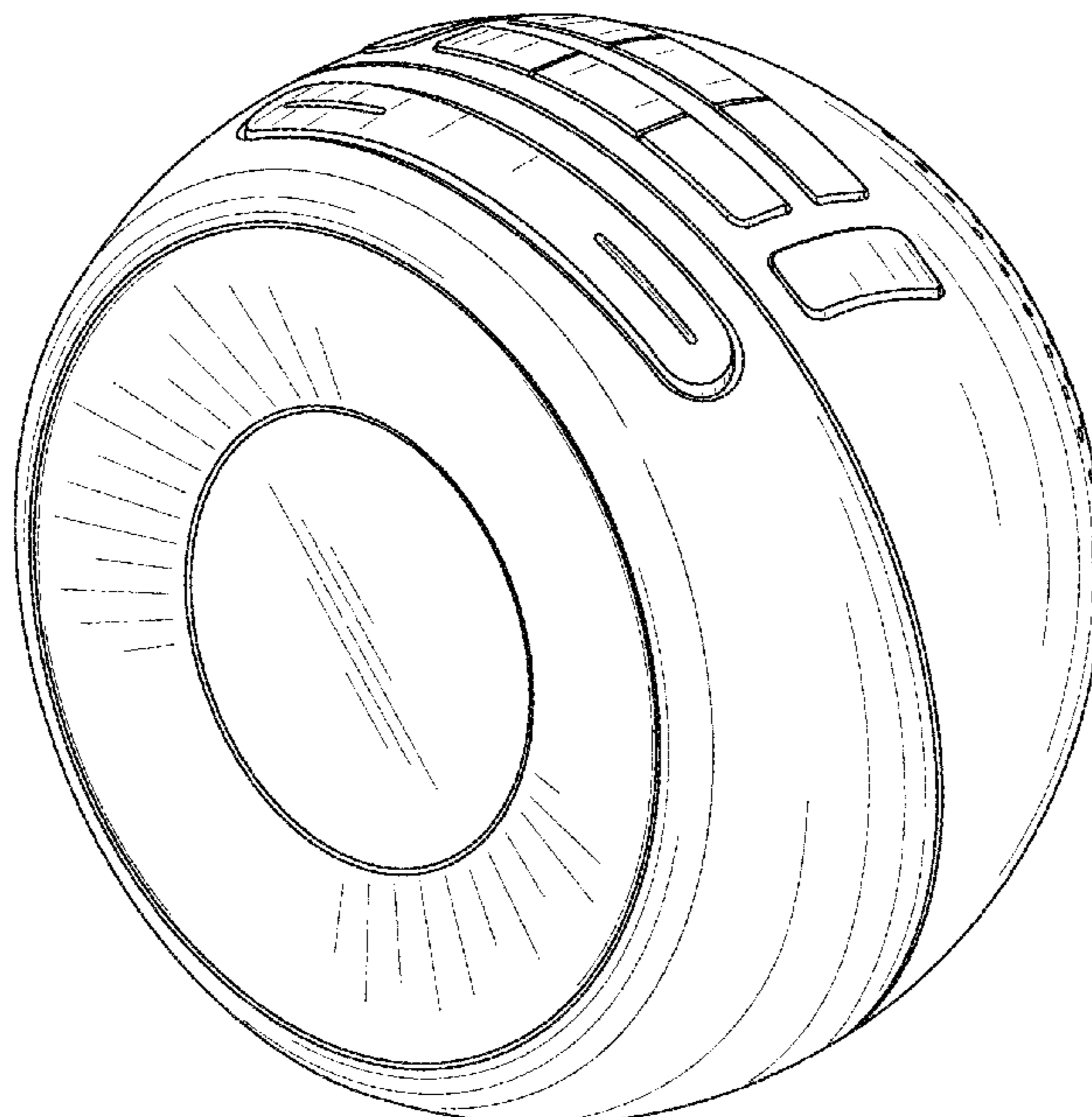
The ornamental design for bluetooth alarm clock radio, as shown and described.

**DESCRIPTION**

FIG. 1 is a top, front perspective view of a bluetooth alarm clock radio showing my new design;  
FIG. 2 is a front view thereof;  
FIG. 3 is a rear view thereof;  
FIG. 4 is a side view thereof, the opposite side view being a mirror image;  
FIG. 5 is a top view thereof;  
FIG. 6 is a bottom view thereof; and,  
FIG. 7 is a cross-sectional view thereof along line 7-7 in FIG. 2.

The small circles in all of the drawing figures depict holes. The broken lines in the drawings illustrate environmental material that forms no part of the claimed design.

**1 Claim, 7 Drawing Sheets**



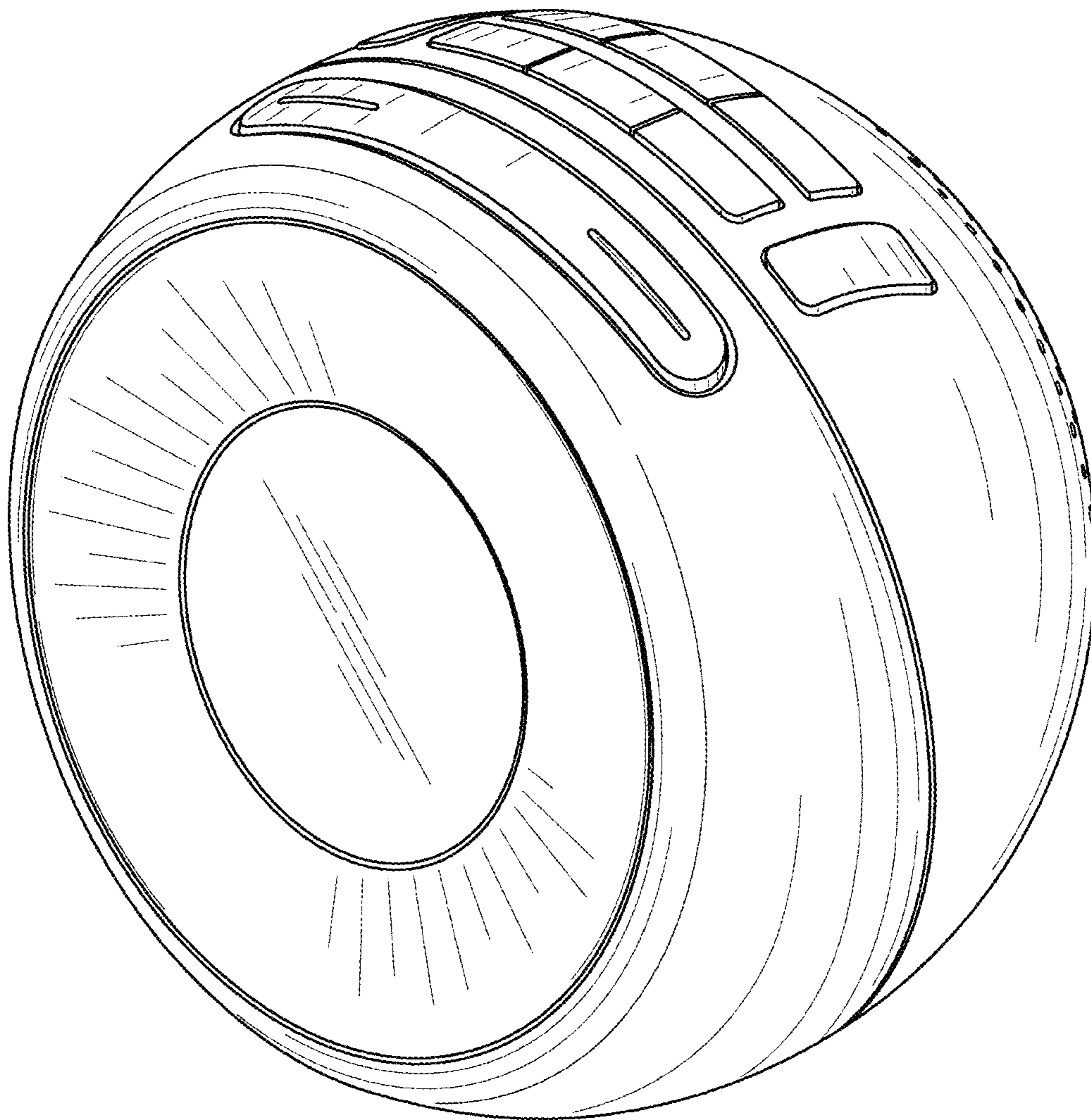


FIG. 1

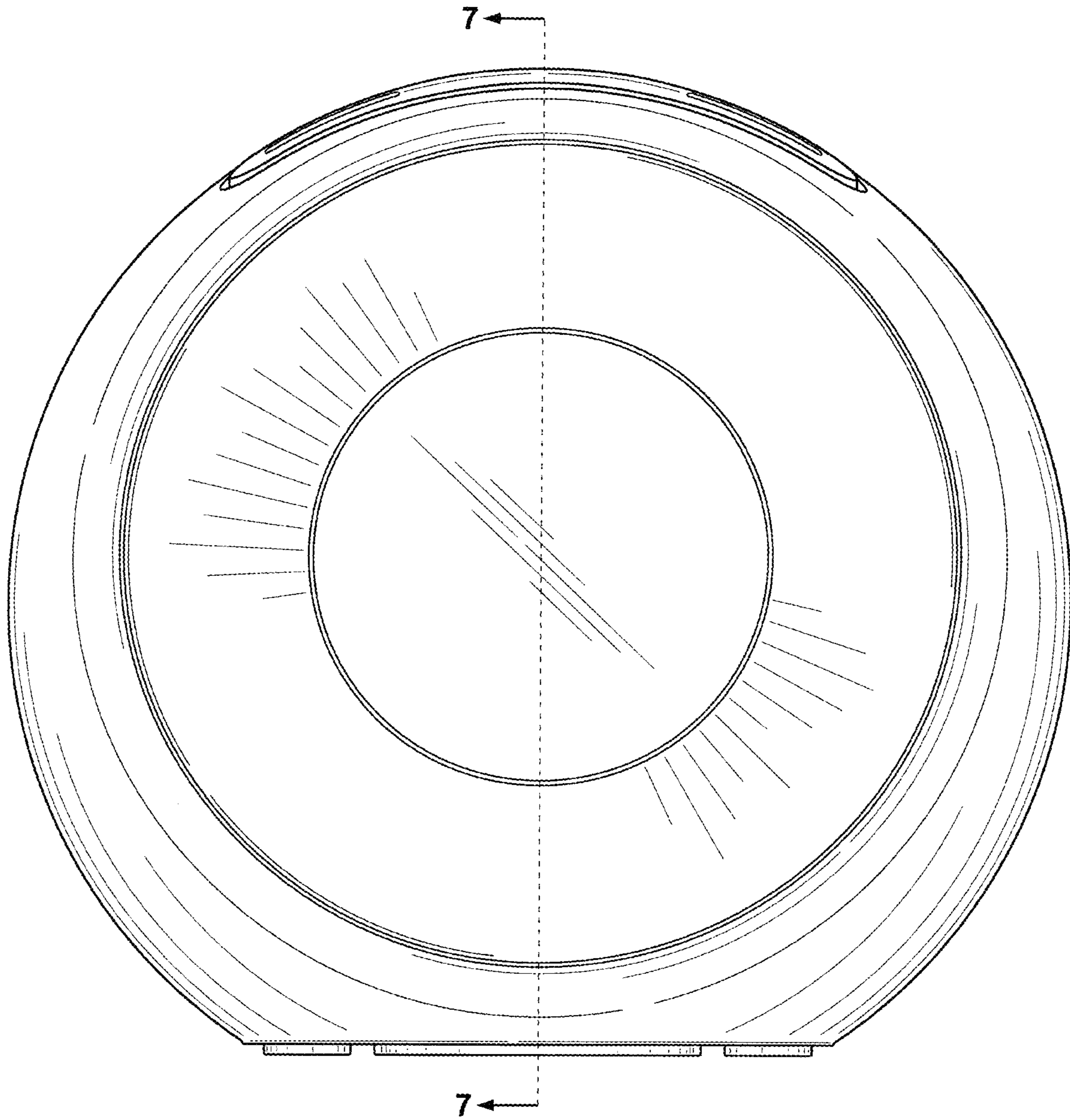


FIG. 2

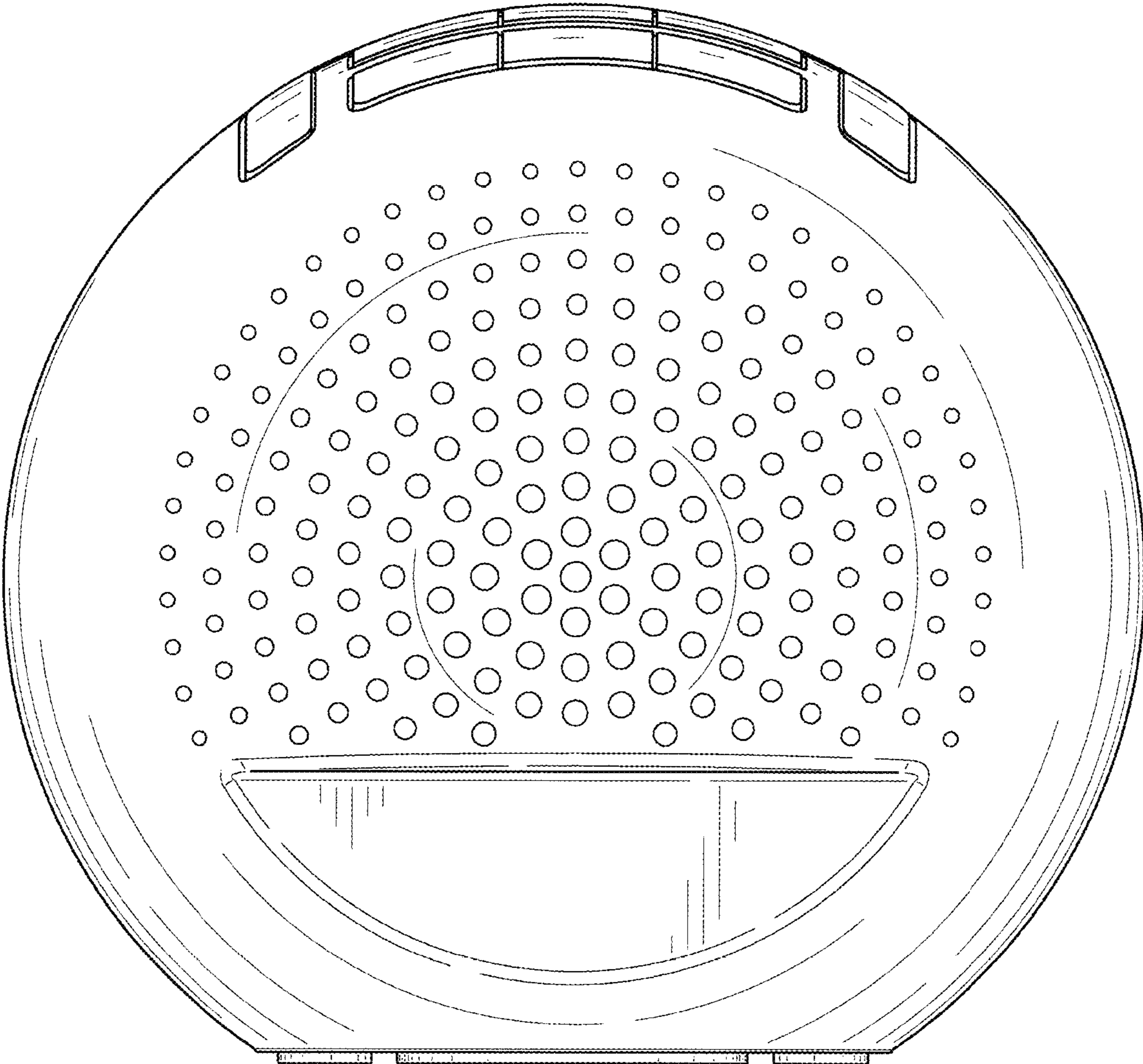


FIG. 3

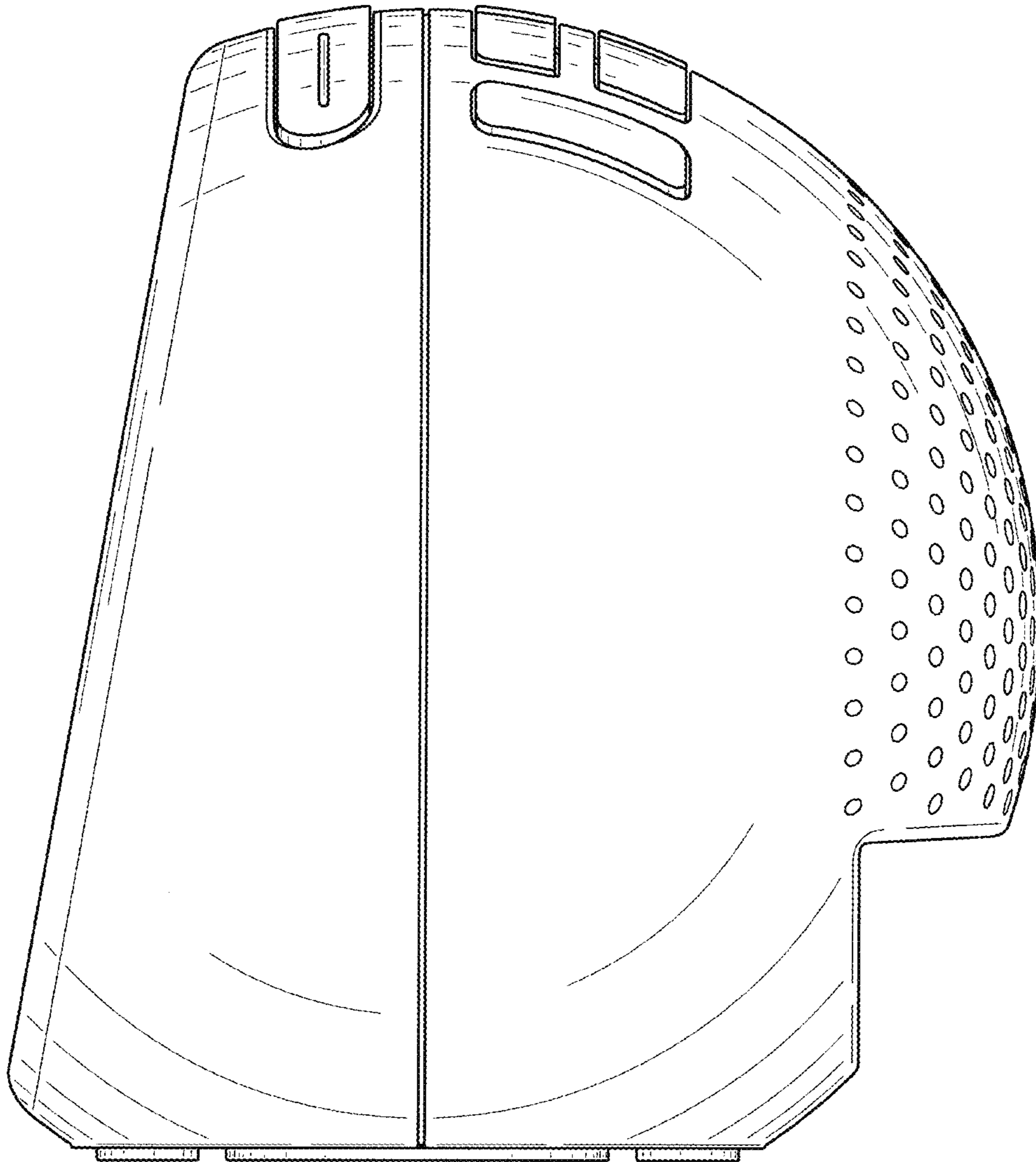


FIG. 4

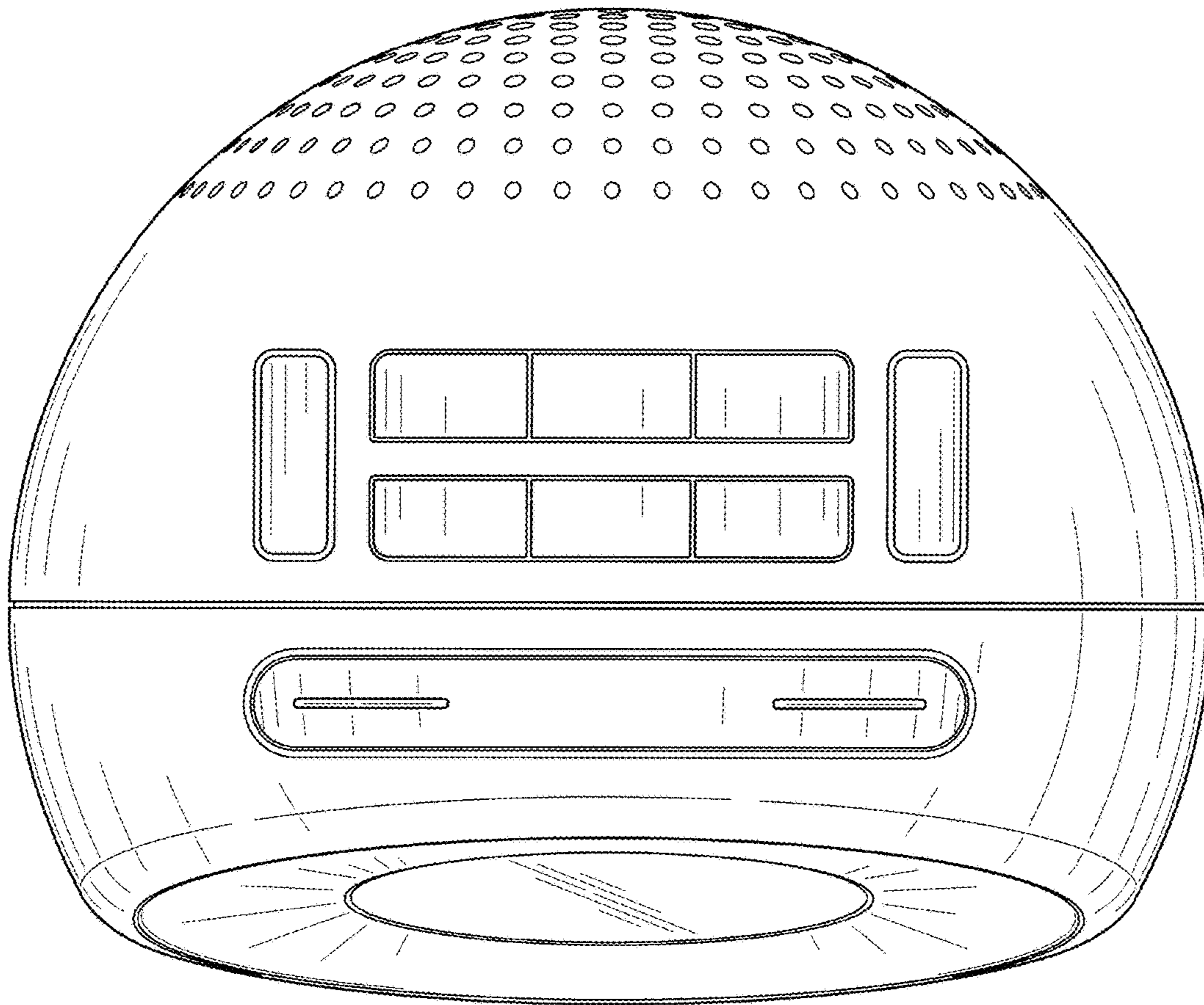


FIG. 5

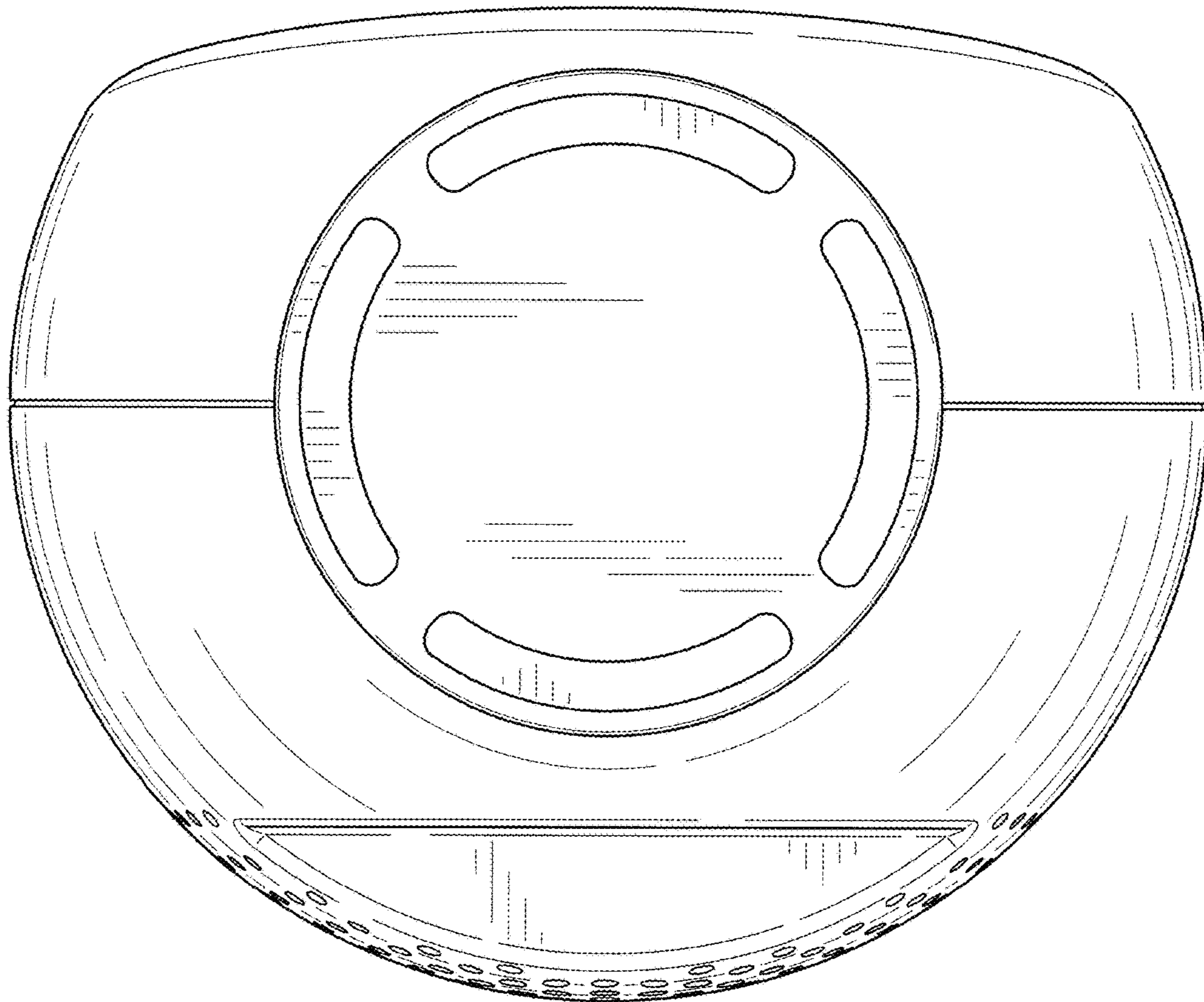


FIG. 6

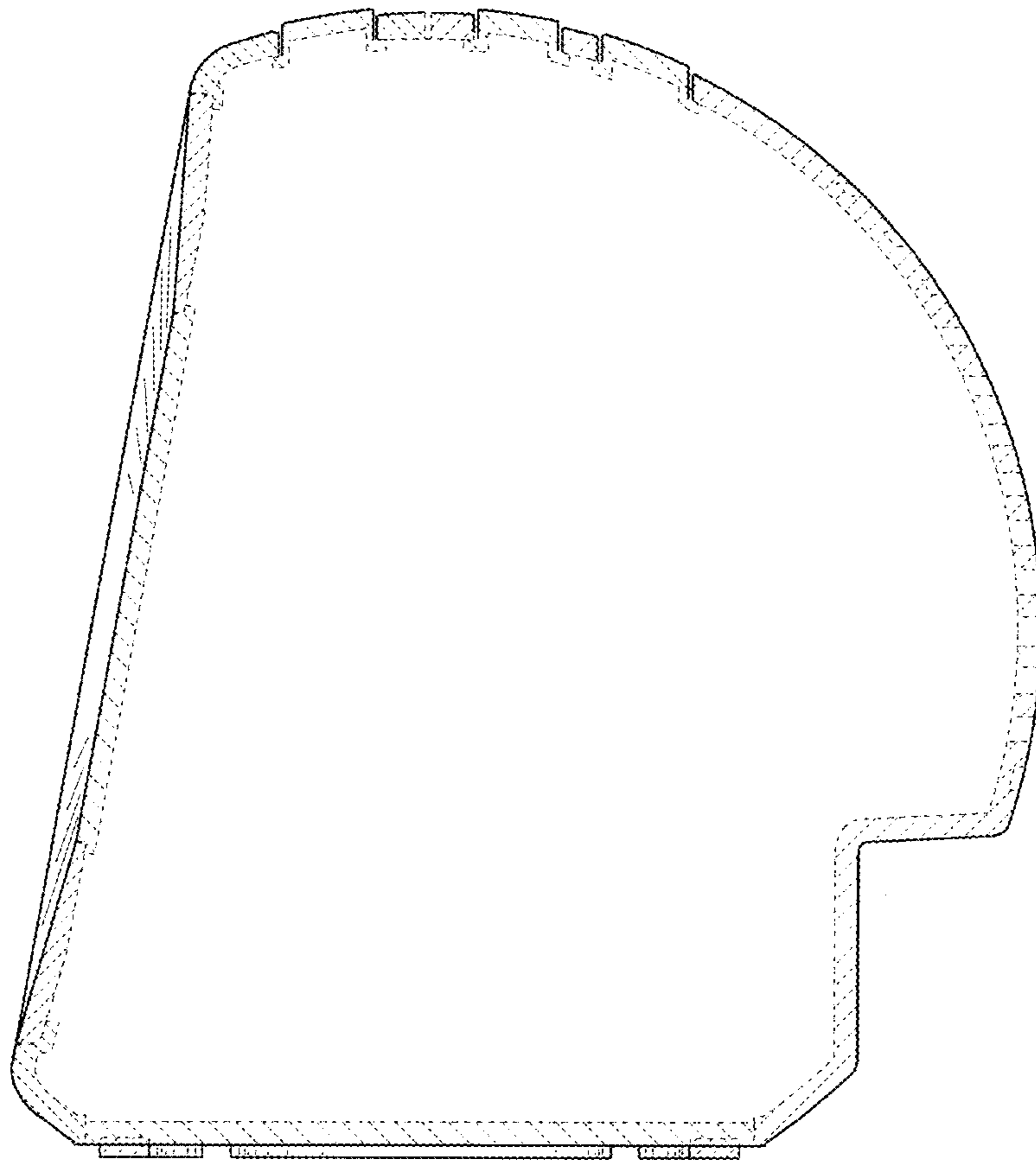


FIG. 7