

US00D793867S

(12) **United States Design Patent** (10) **Patent No.:** **US D793,867 S**
Wilkins et al. (45) **Date of Patent:** **** Aug. 8, 2017**

(54) **CONTAINER**
(71) Applicant: **The Procter & Gamble Company**,
Cincinnati, OH (US)
(72) Inventors: **Guy Baskerville Wilkins**, Cincinnati,
OH (US); **Brian Lee Floyd**, Cincinnati,
OH (US)

D266,146 S 9/1982 Morris
D279,650 S 7/1985 Aldrich, III et al.
D279,654 S 7/1985 Grip et al.
D280,289 S * 8/1985 Aldrich, III D9/542
D287,335 S 12/1986 Anderson
D310,779 S * 9/1990 Gloeckler D9/529
D317,118 S 5/1991 Crawford
D330,860 S * 11/1992 Gatrost D9/542
(Continued)

(73) Assignee: **The Procter & Gamble Company**,
Cincinnati, OH (US)

FOREIGN PATENT DOCUMENTS

(**) Term: **15 Years**

CN 3540990 7/2006
CN 301652575 8/2011
(Continued)

(21) Appl. No.: **29/537,686**

OTHER PUBLICATIONS

(22) Filed: **Aug. 28, 2015**

U.S. Appl. No. 29/537,685, filed Aug. 28, 2015, Guy Baskerville
Wilkins et al.

(51) **LOC (10) Cl.** **09-01**

(52) **U.S. Cl.**
USPC **D9/726**

(Continued)

(58) **Field of Classification Search**
USPC D9/516, 522, 528, 529, 541-543, 549,
D9/726; D28/4, 7; 215/381-385;
220/660, 669, 675
CPC A45D 34/041; A61H 23/02; A61H
2015/0064; A61H 2201/0107; A61H
2201/105

Primary Examiner — Derrick Holland
Assistant Examiner — Janice Lim
(74) *Attorney, Agent, or Firm* — Kathleen Y. Carter;
Carrie M. Schwartz

See application file for complete search history.

(57) **CLAIM**

The ornamental design for a container, as shown and
described.

(56) **References Cited**

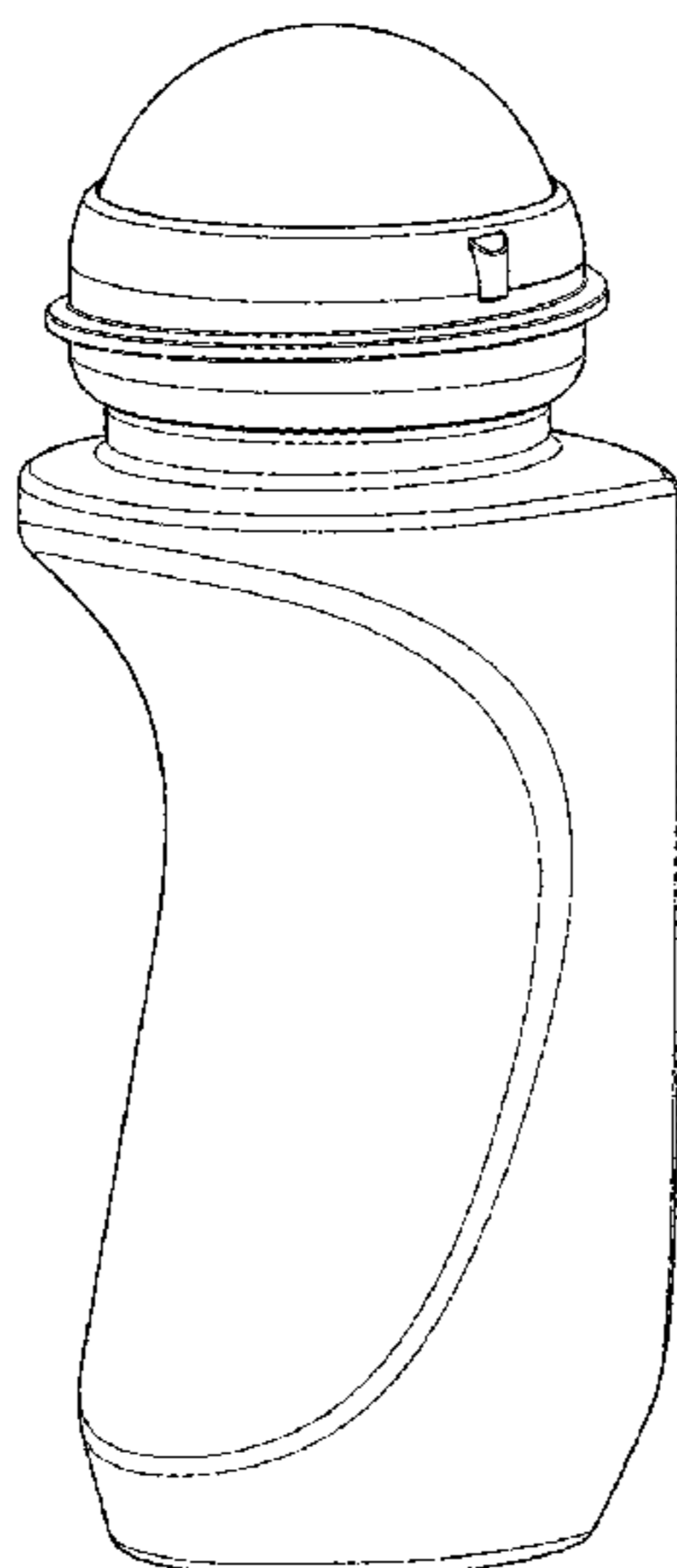
DESCRIPTION

U.S. PATENT DOCUMENTS

D243,585 S 3/1977 Angleman et al.
D248,214 S 6/1978 DiNuccio
D250,248 S 11/1978 Grip
D251,181 S 2/1979 Angleman et al.
D252,794 S 9/1979 Lucas
D253,394 S 11/1979 Berghahn et al.
D255,653 S 7/1980 Lipsz
D255,990 S 7/1980 Lucas
D256,095 S 7/1980 Sandonato
D258,199 S 2/1981 Torongo, Jr.
D262,438 S 12/1981 Sears et al.

FIG. 1 is an isometric view of a container, showing our new
design;
FIG. 2 is a front view thereof;
FIG. 3 is a right view thereof;
FIG. 4 is a back view thereof;
FIG. 5 is a left view thereof;
FIG. 6 is a top plan view thereof; and,
FIG. 7 is a bottom plan view.

1 Claim, 3 Drawing Sheets



(56)

References Cited

U.S. PATENT DOCUMENTS

D333,780 S 3/1993 Jones et al.
 D337,939 S 8/1993 Smith, Jr.
 D345,501 S 3/1994 Prince
 D346,112 S 4/1994 Alcindor
 D368,220 S 3/1996 Bicknell et al.
 D368,427 S * 4/1996 Bicknell D9/529
 D402,550 S 12/1998 Poisson
 D426,770 S 6/2000 Crawford
 D438,786 S * 3/2001 Ghali D9/685
 D441,283 S 5/2001 Crawford
 D442,080 S 5/2001 Crawford
 D458,708 S * 6/2002 Oates D28/10
 D458,835 S 6/2002 Delli-Veneri
 D459,216 S 6/2002 Heijdenrijk
 D462,449 S * 9/2002 Morano D24/197
 D462,896 S * 9/2002 Crawford D9/693
 D463,271 S 9/2002 Miranda
 D474,685 S 5/2003 Finley
 D474,963 S 5/2003 Gerstem et al.
 D476,884 S 7/2003 Miranda
 D480,633 S 10/2003 Miranda
 D484,794 S 1/2004 Geardino et al.
 D505,623 S 5/2005 Bernard
 D508,414 S * 8/2005 Lamb D9/504
 D512,639 S 12/2005 Weber
 D513,593 S 1/2006 Weber
 D514,943 S * 2/2006 Weber D9/529
 D535,893 S 1/2007 Shurtleff et al.
 D540,184 S 4/2007 Dibnah et al.
 D554,529 S 11/2007 Green et al.
 D561,608 S 2/2008 Hogben
 D562,699 S 2/2008 Green et al.
 D577,583 S 9/2008 Porter et al.
 D577,584 S 9/2008 Porter et al.
 D591,170 S 4/2009 Lux
 D611,824 S * 3/2010 Akkermans D9/529
 D615,419 S 5/2010 Owen
 D617,943 S 6/2010 Bouix et al.
 D618,561 S 6/2010 Lee
 D620,366 S * 7/2010 Bruscha D9/444
 D624,239 S 9/2010 Breidenbach et al.
 D632,186 S 2/2011 Fischer
 D644,939 S 9/2011 Teller
 D645,763 S 9/2011 Lee
 8,011,521 B2 * 9/2011 Clark B65D 1/0223
 215/11.1
 D654,376 S 2/2012 Song
 D654,811 S 2/2012 Song
 D659,549 S 5/2012 Fera et al.
 D678,080 S * 3/2013 van Haasteren D9/725
 D686,510 S * 7/2013 Zerba D9/726
 D698,248 S * 1/2014 Lambrecht D9/444
 2005/0258201 A1 * 11/2005 Willows B65D 25/22
 224/148.4
 2006/0213858 A1 * 9/2006 Kraus A61J 9/00
 215/11.1

FOREIGN PATENT DOCUMENTS

CN 301652576 8/2011
 CN 301677557 9/2011
 CN 301677558 9/2011
 CN 301677559 9/2011
 DE M9709915-0001 5/1998
 DE 49908116-0001 12/1999
 DE 49910235-0001 2/2000
 DE 40303209-0001 10/2003
 DE 40303209-0002 10/2003
 DE 40303209-0003 10/2003
 DE 40303209-0004 10/2003

DE 40403093-0001 10/2004
 DE 40403093-0002 10/2004
 DE 40407237-0001 7/2005
 DE 40501804-0001 9/2005
 EM 000147145-0001 6/2004
 EM 000324629-0015 6/2005
 EM 000462817-0003 2/2006
 EM 001118368-0001 5/2009
 EM 001118368-0002 5/2009
 EM 001627928-0001 11/2009
 EM 001639089-0001 11/2009
 ES 10142682 8/1998
 ES 10143967 2/1999
 ES 10146622 2/2000
 ES 10148332 9/2000
 GB 2018056 5/1992
 GB 2028590 12/1993
 GB 2036097 8/1994
 GB 2036770 12/1994
 GB 2036771 12/1994
 GB 2070873 10/1998
 GB 2076495 1/1999
 GB 2086980 12/1999
 GB 2082893 2/2000
 GB 2092357 5/2000
 GB 2092702 5/2000
 GB 2092377 7/2000
 GB 3014465 6/2004
 JP D1163331 1/2003
 JP D1223594 11/2004
 JP D1227512 1/2005
 JP D1271510 5/2006
 JP D1416175 6/2011
 KR 300271903.0000 3/2001
 KR 300284109.0000 11/2001
 KR 300432844.0000 12/2006
 KR 300534072.0000 7/2009
 KR 300542292.0000 10/2009
 KR 300542295.0000 10/2009
 KR 300552178.0000 2/2010
 KR 300556923.0000 3/2010
 KR 300580173.0000 11/2010
 KR 300580926.0000 12/2010
 KR 300580929.0000 12/2010
 KR 300580930.0000 12/2010
 KR 300607304.0000 7/2011
 KR 300631509.0000 3/2012
 KR 300631509.0001 3/2012
 KR 300639808.0000 4/2012
 KR 300658508.0000 9/2012
 KR 300665933.0000 11/2012
 RU 00048287 1/2001
 RU 00049917 2/2002
 RU 00051702 1/2003
 RU 00057852 10/2005
 RU 00058290 12/2005
 RU 00059239 6/2006
 RU 00083094 9/2012
 WO D007583-001 12/1986
 WO D030843-001 12/1994
 WO D030844-001 12/1994
 WO D044035-001 7/1998
 WO D049631-001 1/2000
 WO D050557-001 4/2000
 WO D052124-001 8/2000
 WO D052124-002 8/2000

OTHER PUBLICATIONS

U.S. Appl. No. 29/538,689, filed Sep. 7, 2015, Guy Baskerville
 Wilkins et al.

* cited by examiner

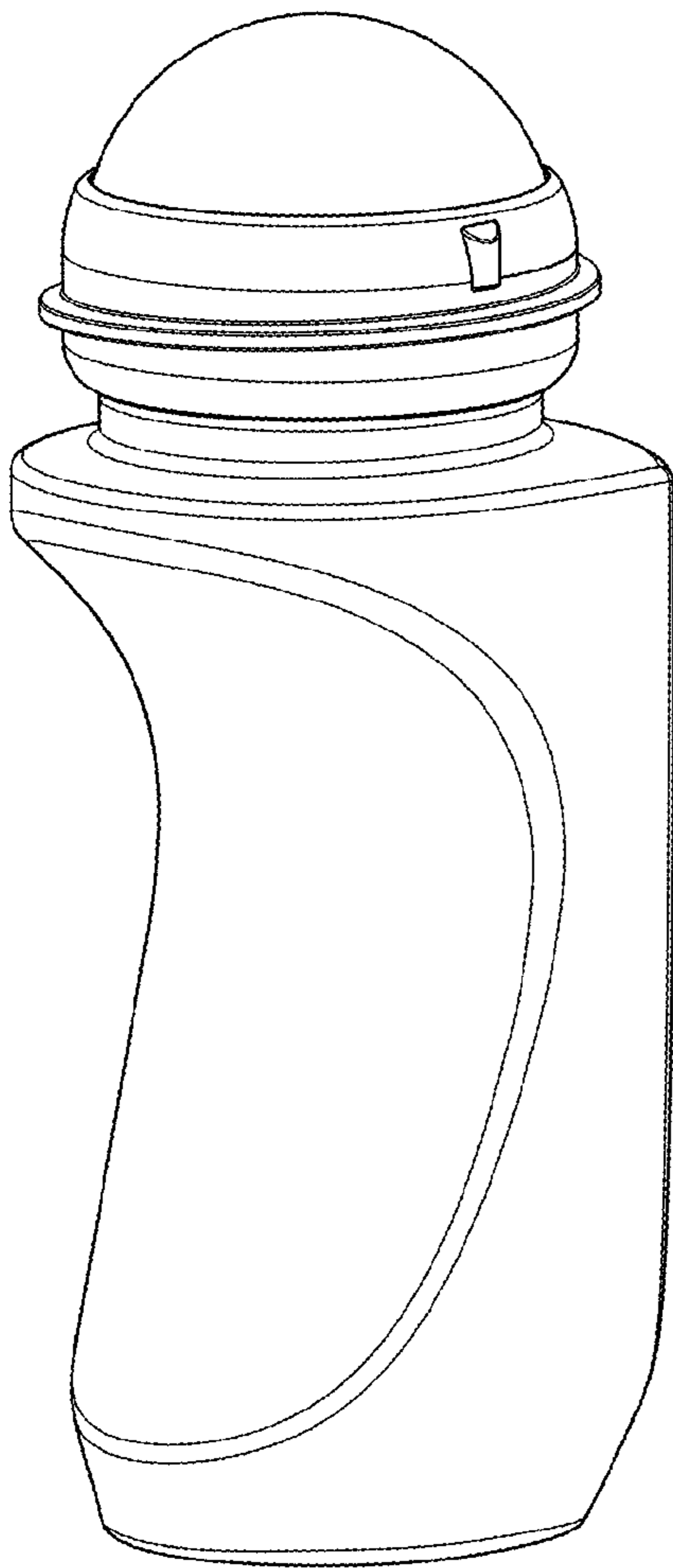


Fig. 1

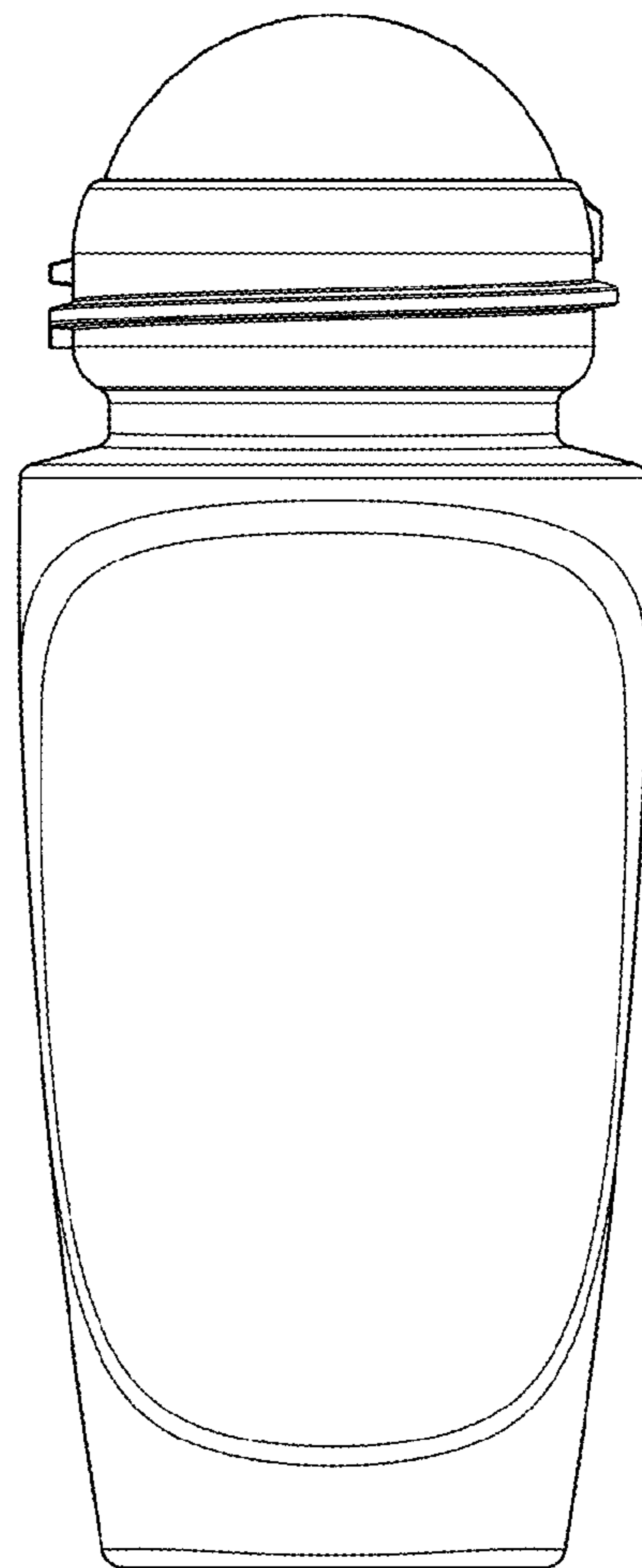


Fig. 2

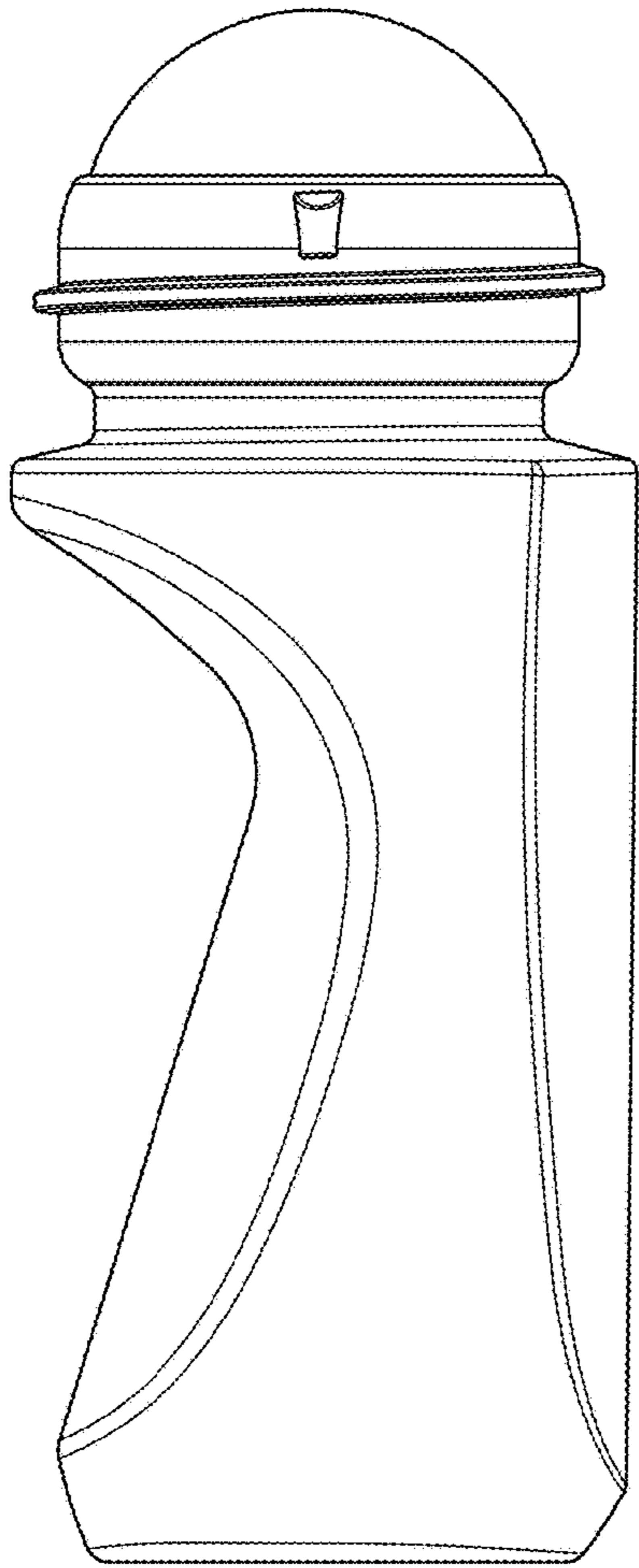


Fig. 3

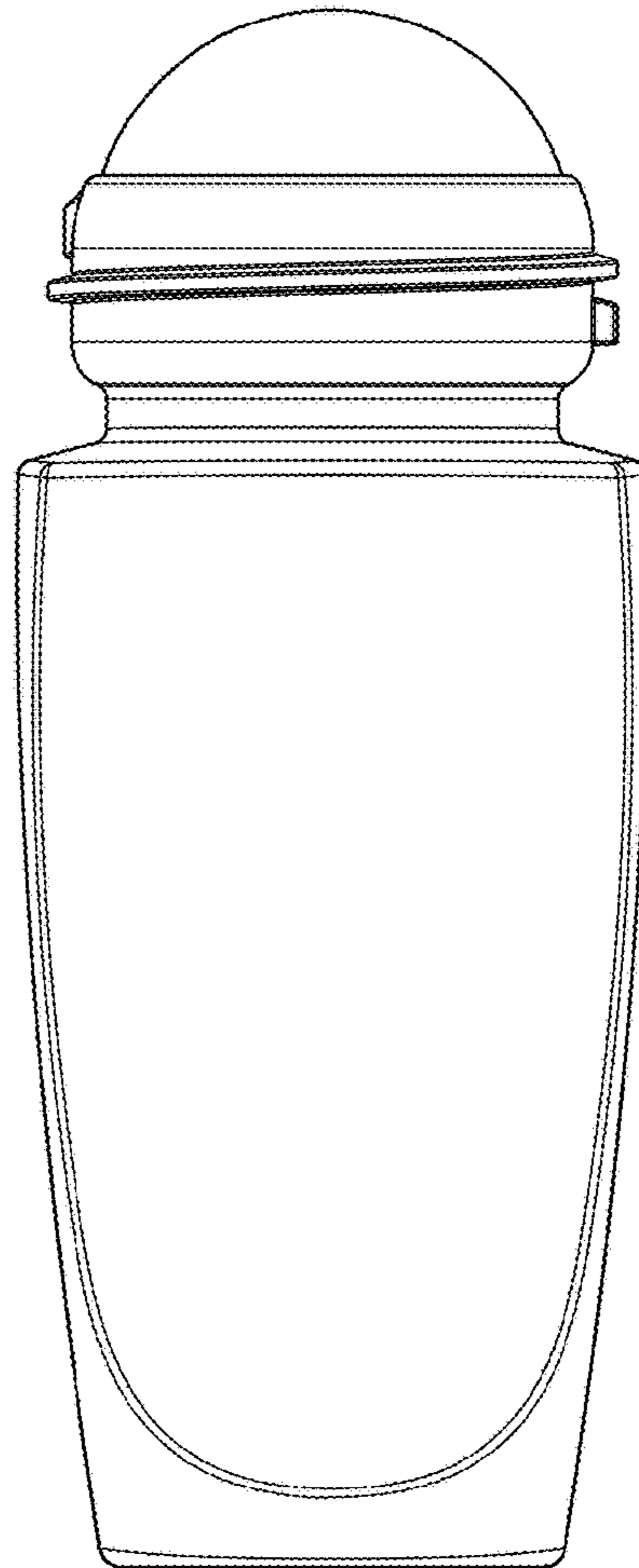


Fig. 4

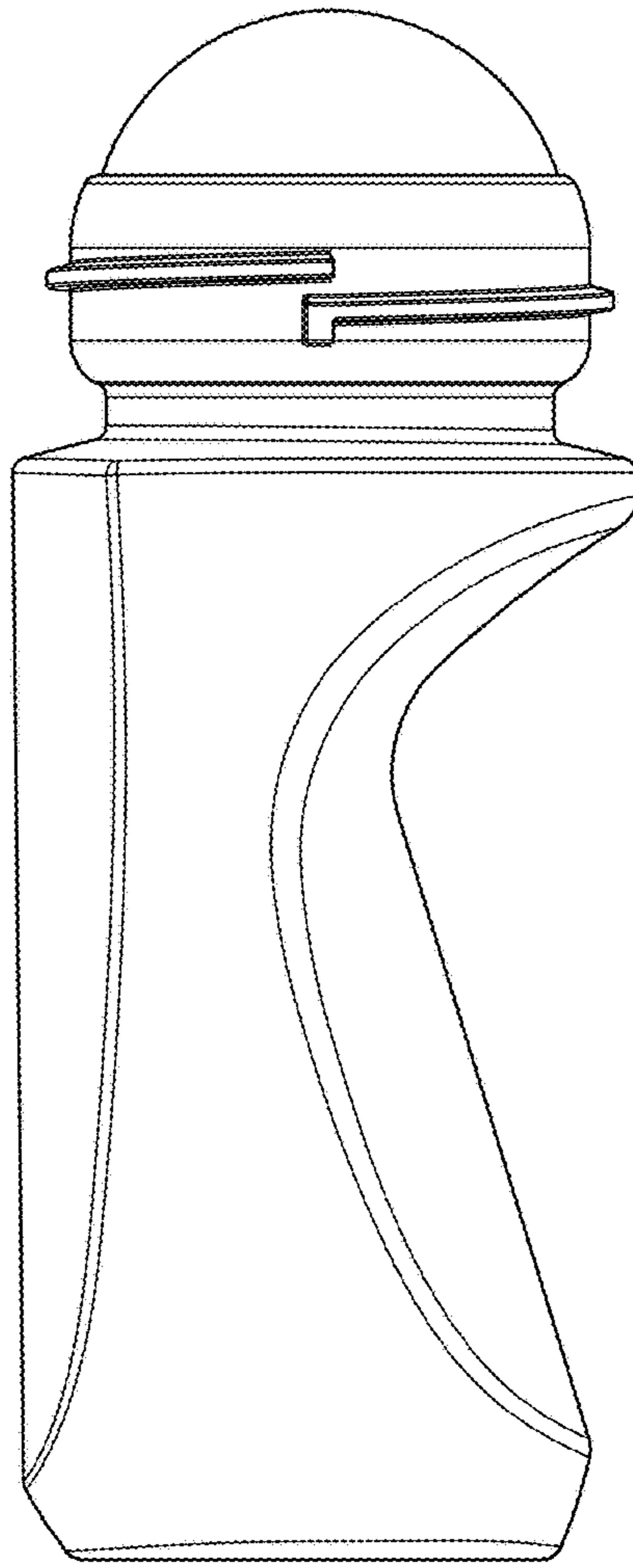


Fig. 5

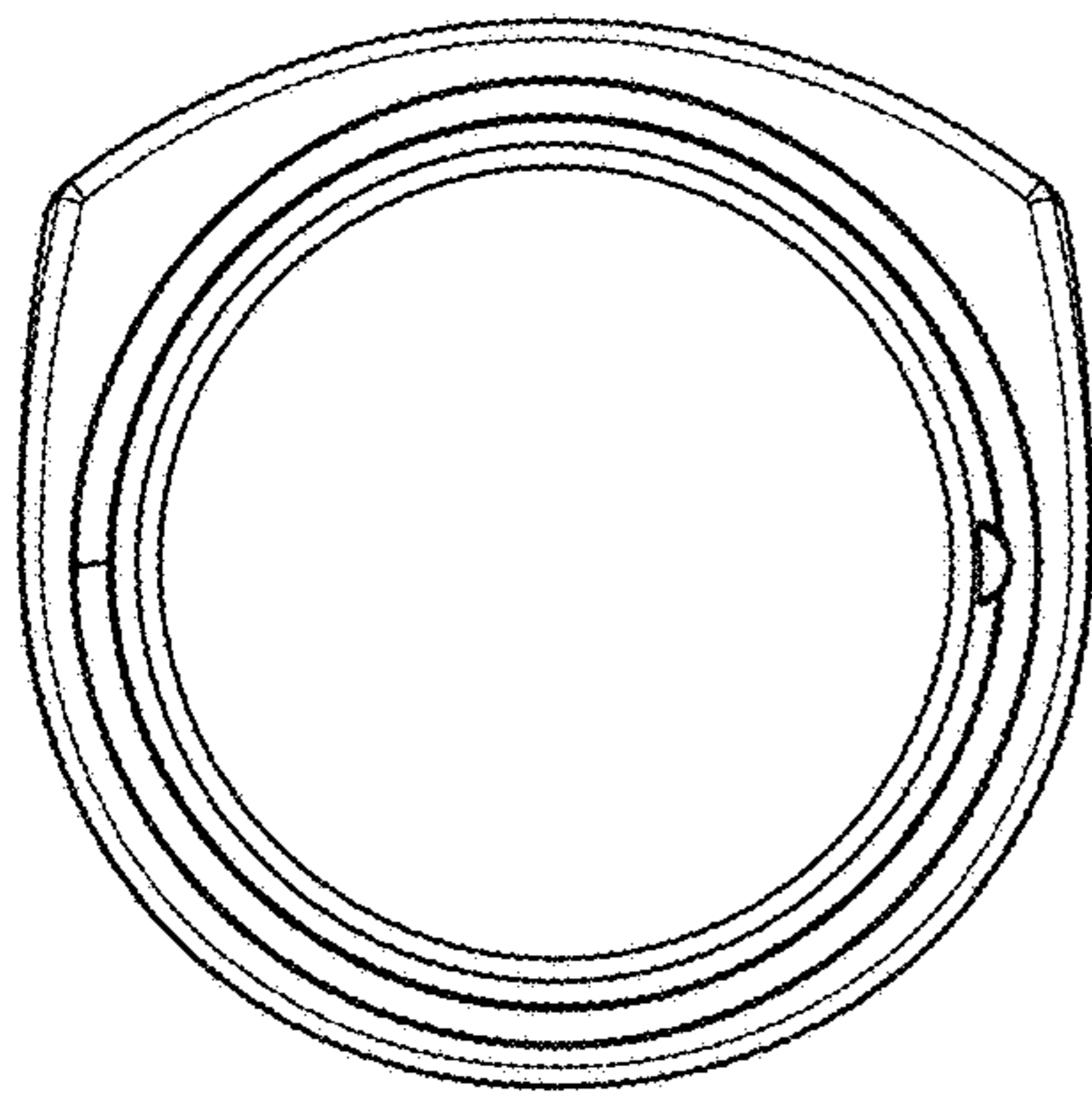


Fig. 6

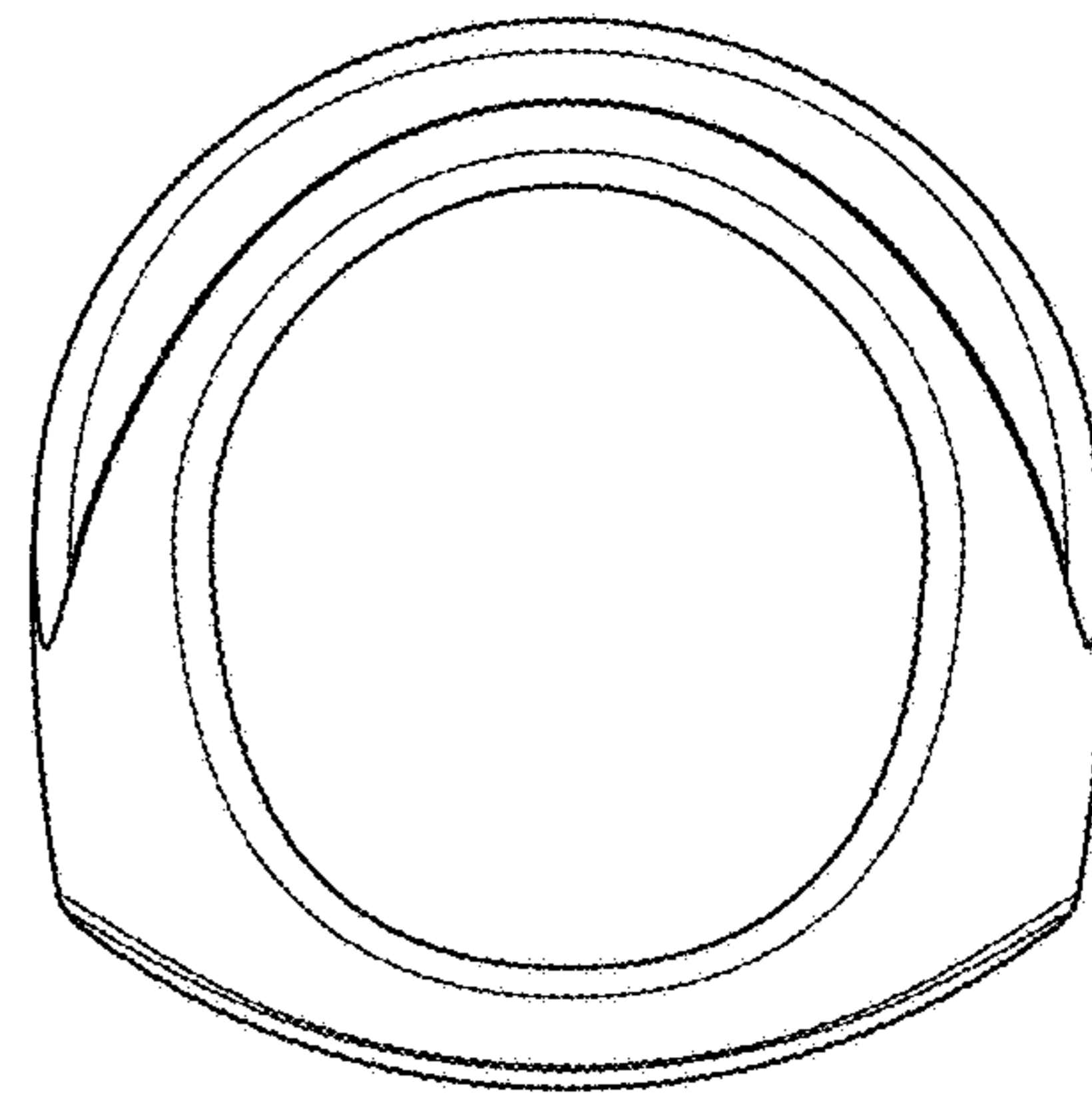


Fig. 7