



US00D793866S

(12) **United States Design Patent** (10) **Patent No.:** **US D793,866 S**
Leija (45) **Date of Patent:** **** *Aug. 8, 2017**

(54) **PACKAGING WITH TWO COLUMNS OF SIX, TWELVE OUNCE CUPS IN PARALLEL COLUMNS**

(71) Applicant: **Rodolfo Leija**, Redondo Beach, CA (US)

(72) Inventor: **Rodolfo Leija**, Redondo Beach, CA (US)

(73) Assignee: **Axxion USA, Inc.**, Redondo Beach, CA (US)

(*) Notice: This patent is subject to a terminal disclaimer.

(**) Term: **14 Years**

(21) Appl. No.: **29/493,702**

(22) Filed: **Jun. 12, 2014**

(51) **LOC (10) Cl.** **09-01**

(52) **U.S. Cl.**
USPC **D9/716**

(58) **Field of Classification Search**

USPC D9/528, 715, 716, 719, 730, 733, 738, D9/739-747, 751; D7/300, 305, 309, D7/310, 312, 317, 321, 322, 399-401, D7/509, 510, 511, 608; D3/202, 215, D3/316; 206/38, 203, 216, 217, 235, 206/432, 434, 427, 497, 505, 507, 508, 206/515, 770, 771, 823; 215/6, 10, 227, 215/228, 295, 296, 301, 316, 320; 222/175, 189.06, 189.11, 465.1, 544, 562, 222/571, 566, 572; 220/4.03, 592.16, 220/592.17, 660, 661, 662, 675, 676; 229/87.01, 87.06, 89
CPC .. B65D 2571/0066; B65D 2543/00296; B65D 2543/00092; B65D 2543/00685; B65D 1/0223; B65D 2543/00796; B65D 2543/00555; B65D 21/0233; B65D 2543/00509; B65D 43/0212; B65D 2571/0045; B65D 2543/00027; B65D 2571/00265; B65D 1/243; B65D 71/70;

B65D 25/42; B65D 71/08; B65D 2571/00339; B65D 2501/24019; B65D 1/265; B65D 41/26; B65D 2501/2435; B65D 39/16; B65D 75/002; B65D 2571/00024; B65D 25/54; B65D 81/36; B65D 41/02; B65D 81/3216; B65D 2571/00401; B65D 2519/00034; B65D 2519/00069; B65D 5/4204; B65D 77/003; B65D 21/0217; B65D 2519/00288; B65D 2543/00416; B65D 2519/00318; B65D

(Continued)

(56) **References Cited**

U.S. PATENT DOCUMENTS

D165,308 S * 11/1951 Sholkin D7/624.1
3,133,387 A * 5/1964 Harrison B65B 17/025
206/151

(Continued)

Primary Examiner — Derrick Holland

Assistant Examiner — Lauren Calve

(74) *Attorney, Agent, or Firm* — Thomas I. Rozsa

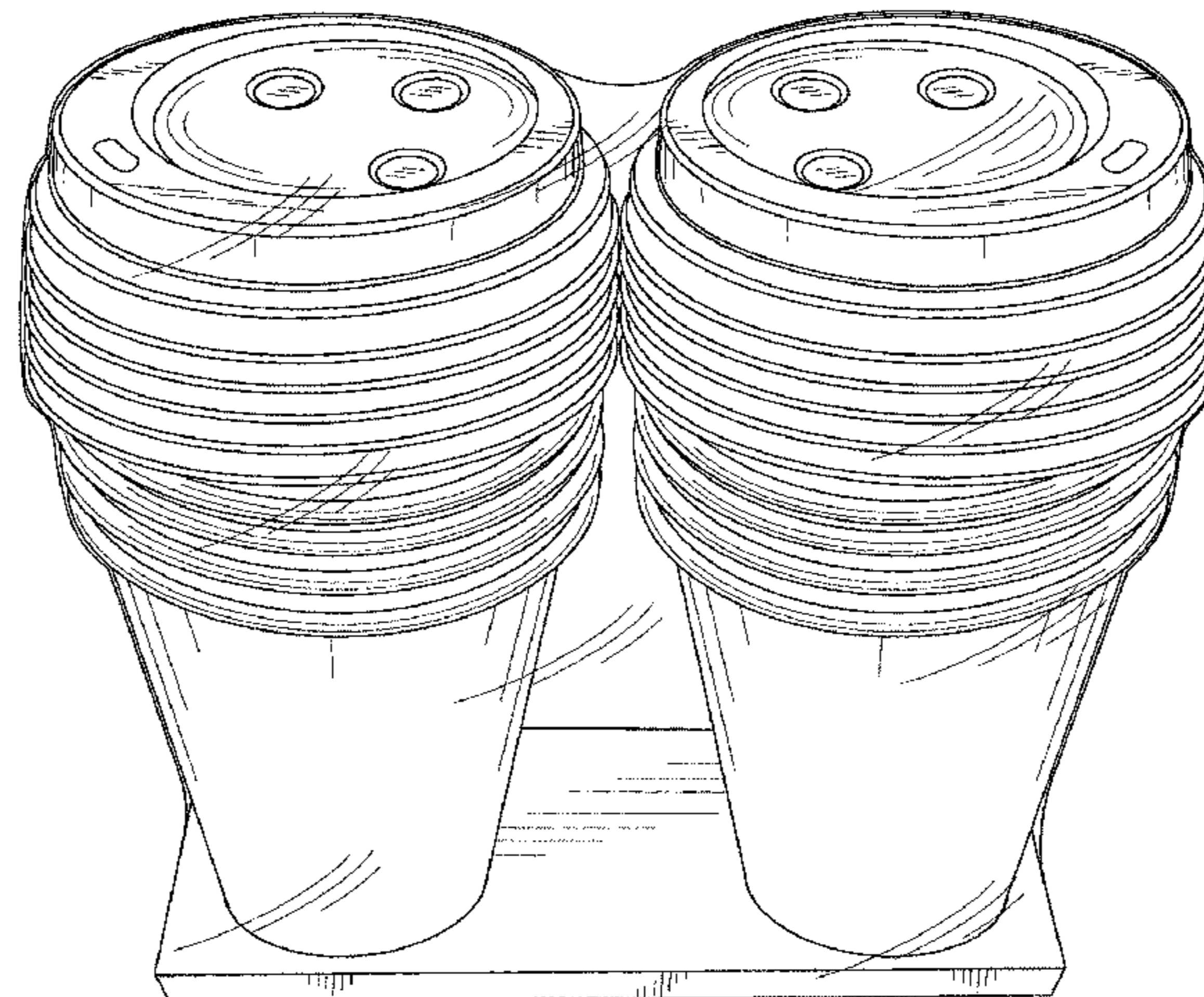
(57) **CLAIM**

The ornamental design for a packaging with two columns of six, twelve ounce cups in parallel columns, as shown and described.

DESCRIPTION

FIG. 1 is a top side perspective view of a packaging with two columns of six, twelve ounce cups in parallel columns, showing my new design;
FIG. 2 is a bottom side perspective view thereof;
FIG. 3 is a front view thereof;
FIG. 4 is a rear view thereof;
FIG. 5 is a left side view thereof;
FIG. 6 is a right side view thereof;
FIG. 7 is a top view thereof; and,
FIG. 8 is a bottom view thereof.

1 Claim, 8 Drawing Sheets



(58) **Field of Classification Search**

CPC 2543/00648; B65D 25/00; B65D 21/048;
B65D 2519/00174; B65D 2571/00388;
B65D 75/28; B65D 2519/00268; B65D
21/0209; B65D 47/12; B65D 2501/24324;
B65D 2571/00493; B65D 51/249; B65D
21/02; B65D 2543/00759; B65D
2571/0032; B65D 2519/00711; B65D
21/0234; B65D 71/38; B65D 83/40;
B65D 2519/00208; B65D 2571/00456;
B65D 19/18; B65D 81/34

See application file for complete search history.

(56) **References Cited**

U.S. PATENT DOCUMENTS

3,187,478 A * 6/1965 Kirkpatrick B65D 71/508
206/497
D204,819 S * 5/1966 Fulchiron D9/715

3,358,879 A * 12/1967 Mueller B65D 1/265
206/519
D643,305 S * 8/2011 Leija D9/716
D667,314 S * 9/2012 Leija D9/716
2007/0080087 A1* 4/2007 Lentner B65D 5/2033
206/497
2007/0199852 A1* 8/2007 Rutledge B65D 85/62
206/508
2009/0050595 A1* 2/2009 Lackey A47G 19/23
215/10
2012/0104004 A1* 5/2012 Marshall B31B 1/25
220/660
2013/0112581 A1* 5/2013 Dominski B65D 25/00
206/427
2014/0097112 A1* 4/2014 Holley, Jr. B65D 71/42
206/427
2015/0307249 A1* 10/2015 Stuhlmann B65D 71/08
206/497

* cited by examiner

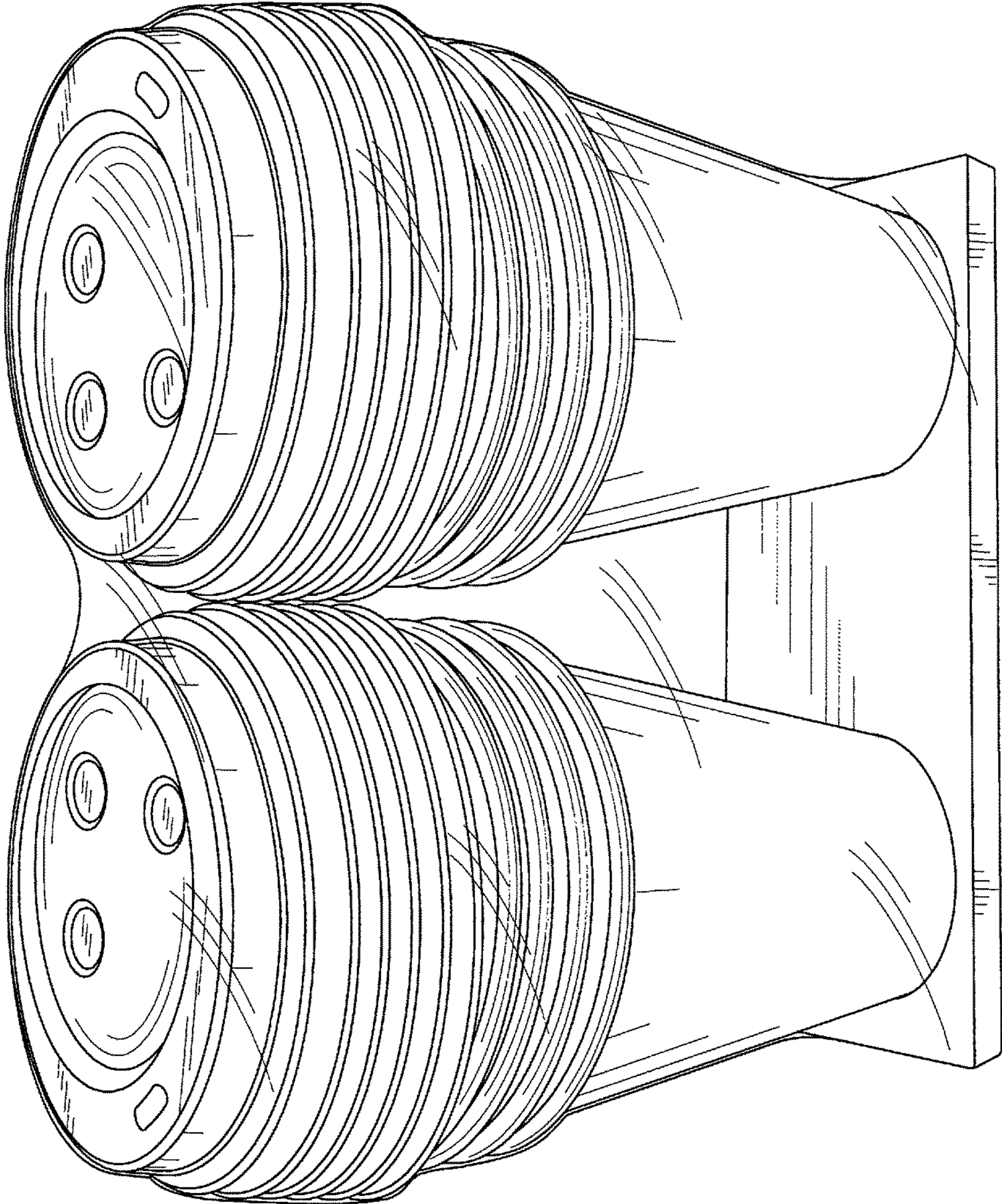


FIG. 1

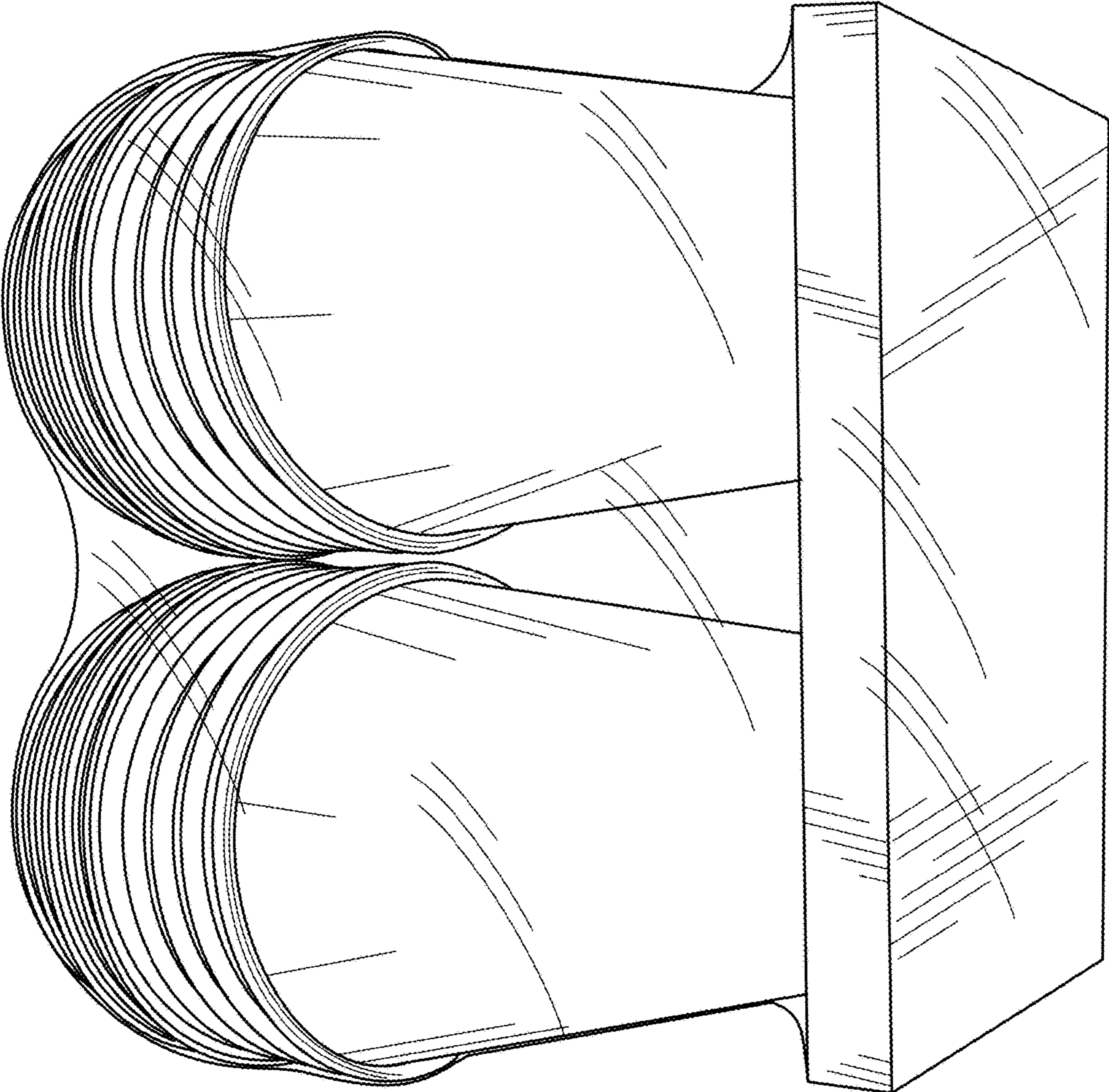


FIG. 2

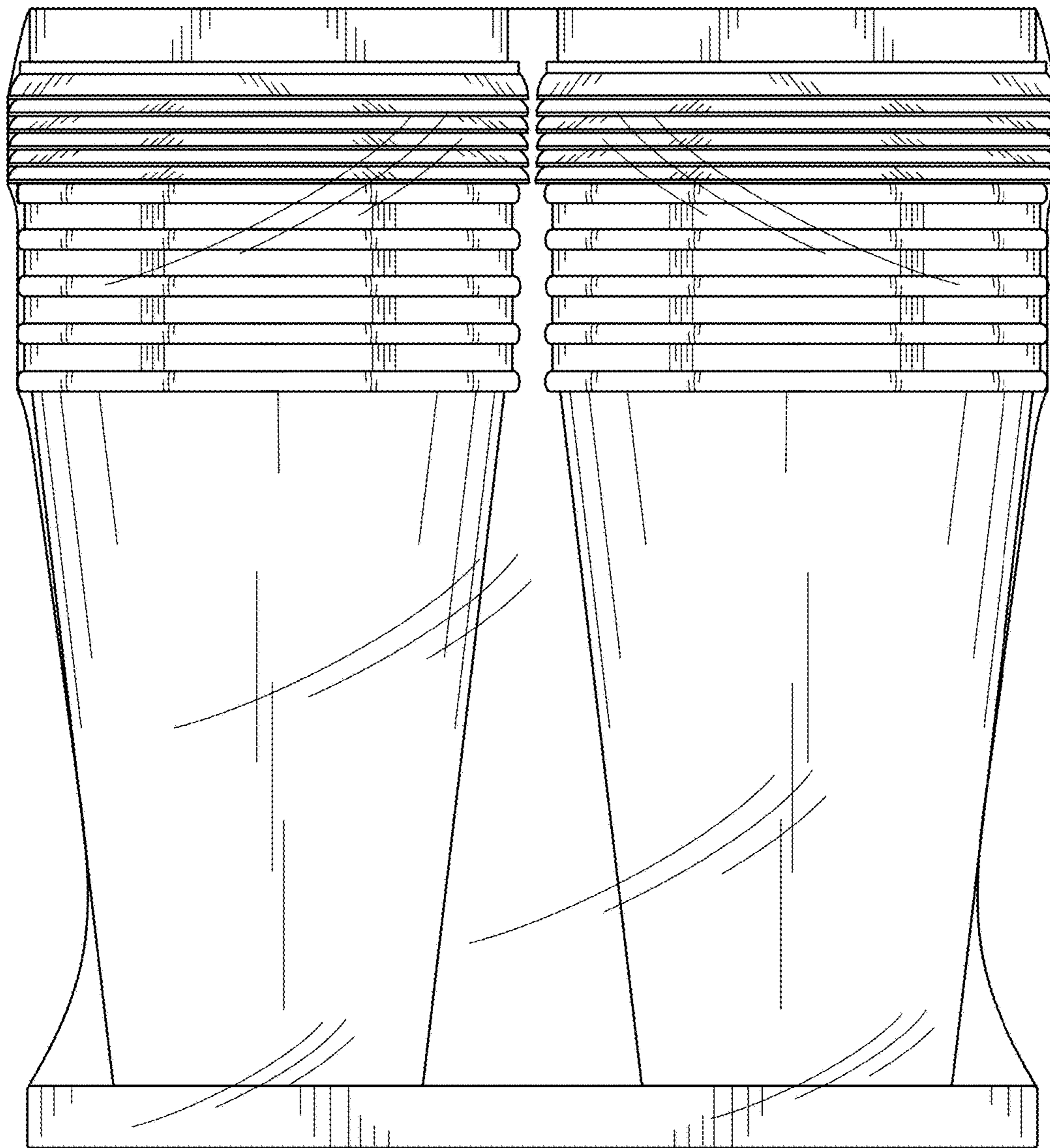


FIG. 3

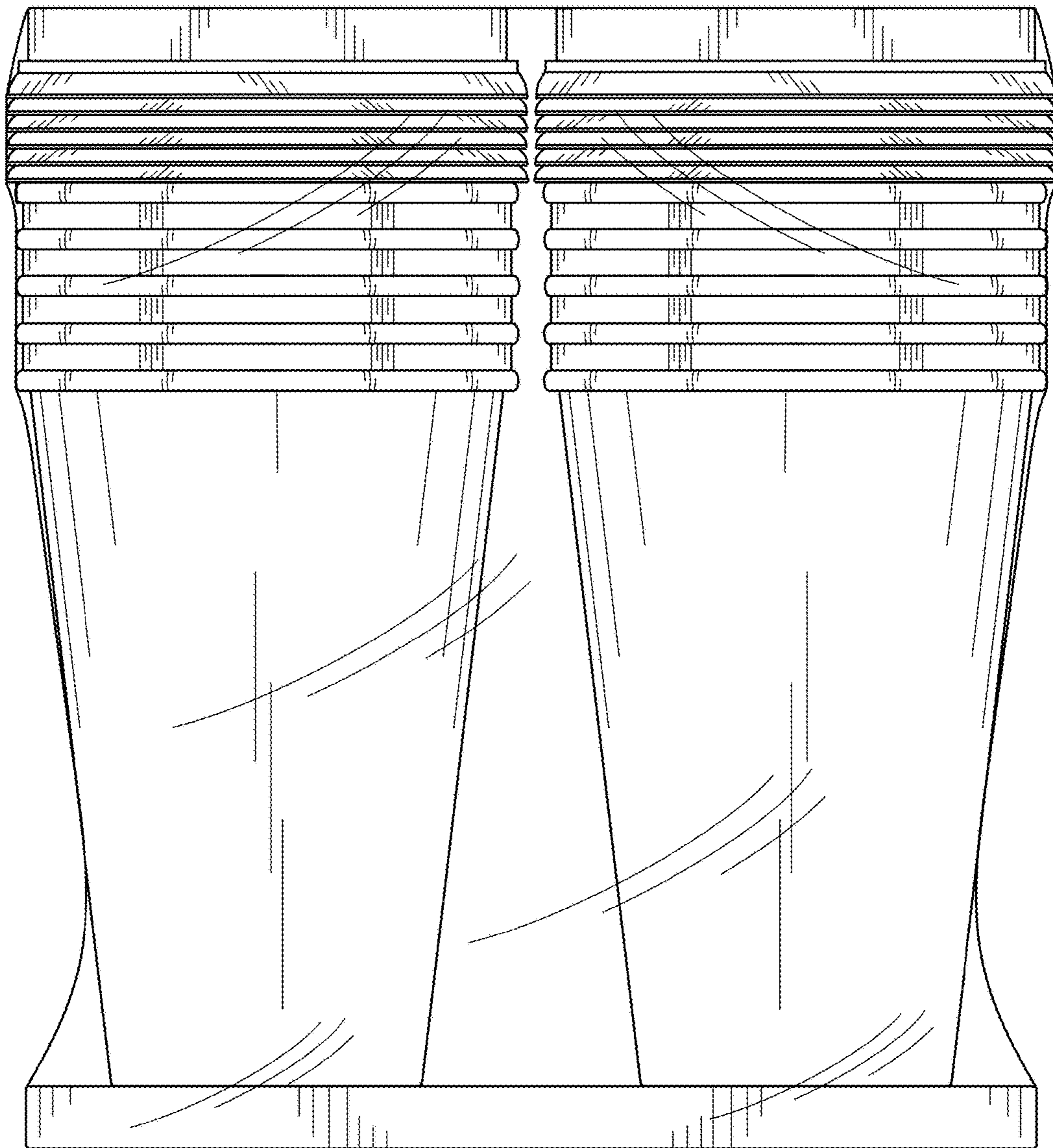


FIG. 4

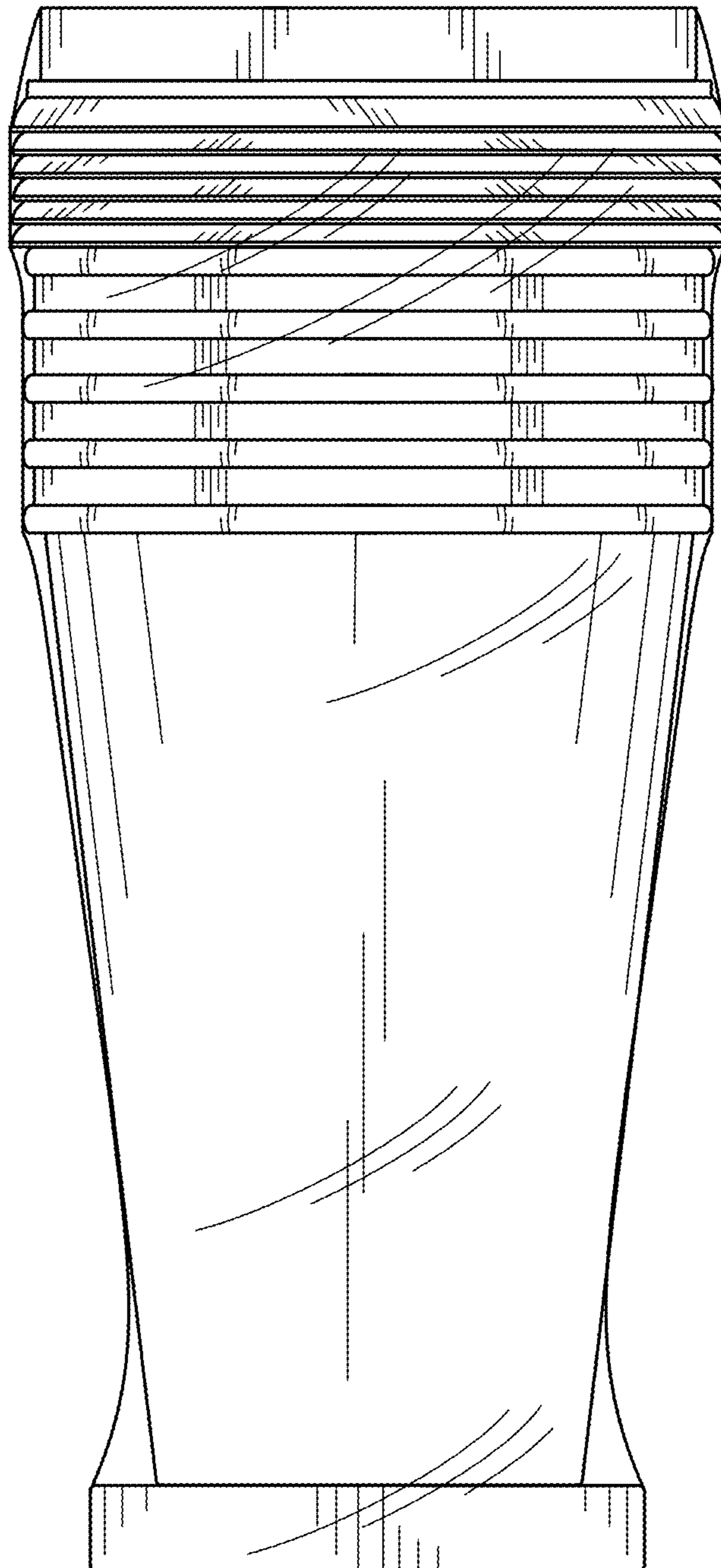


FIG. 5

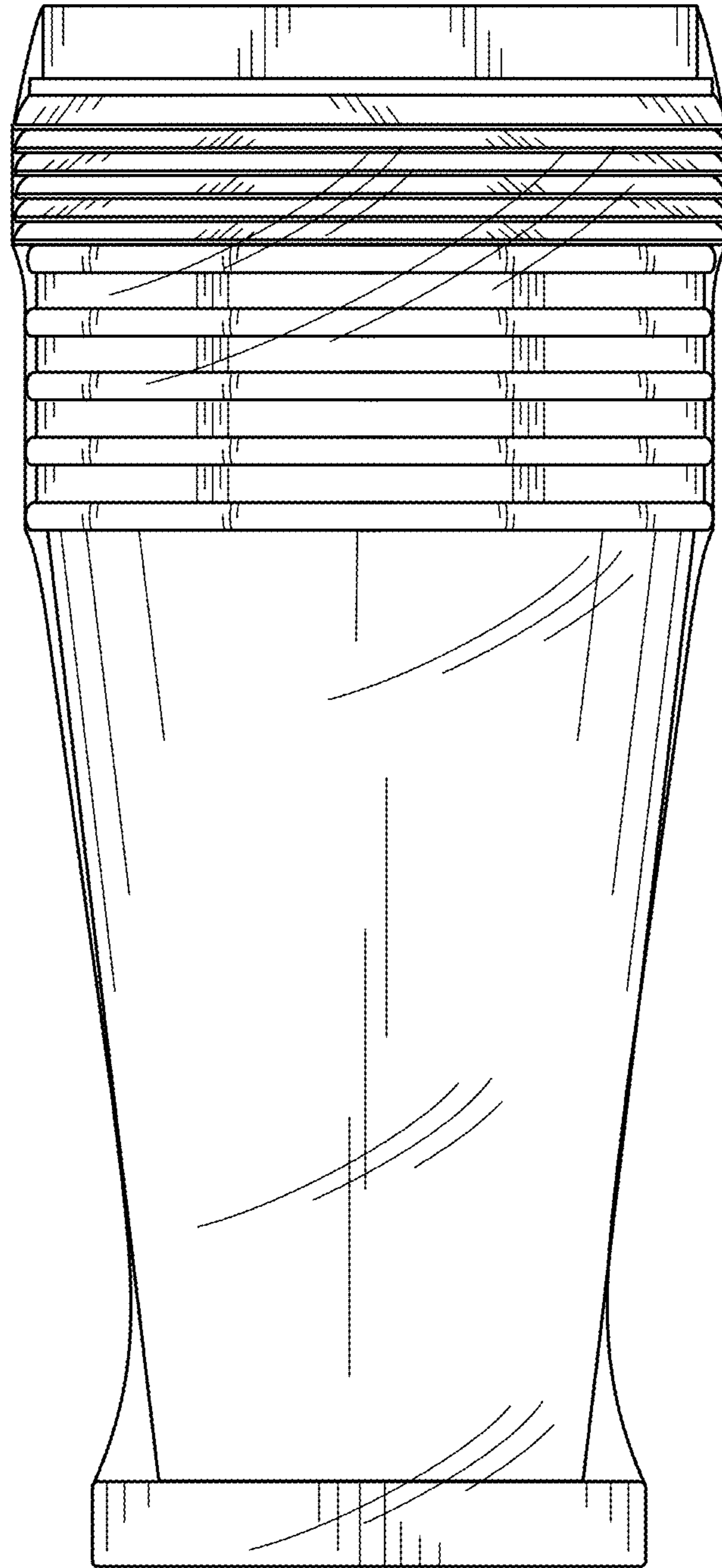


FIG. 6

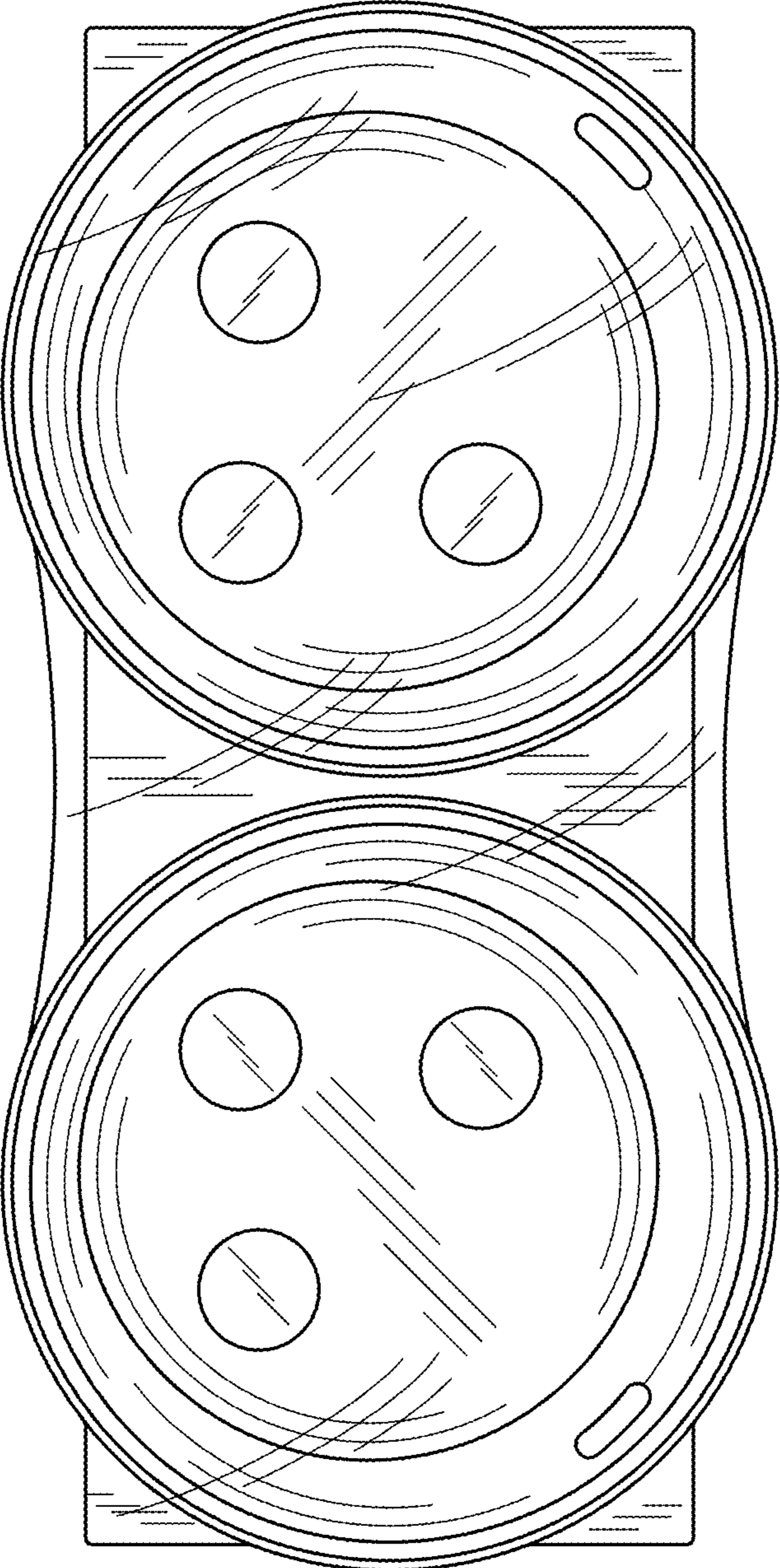


FIG. 7

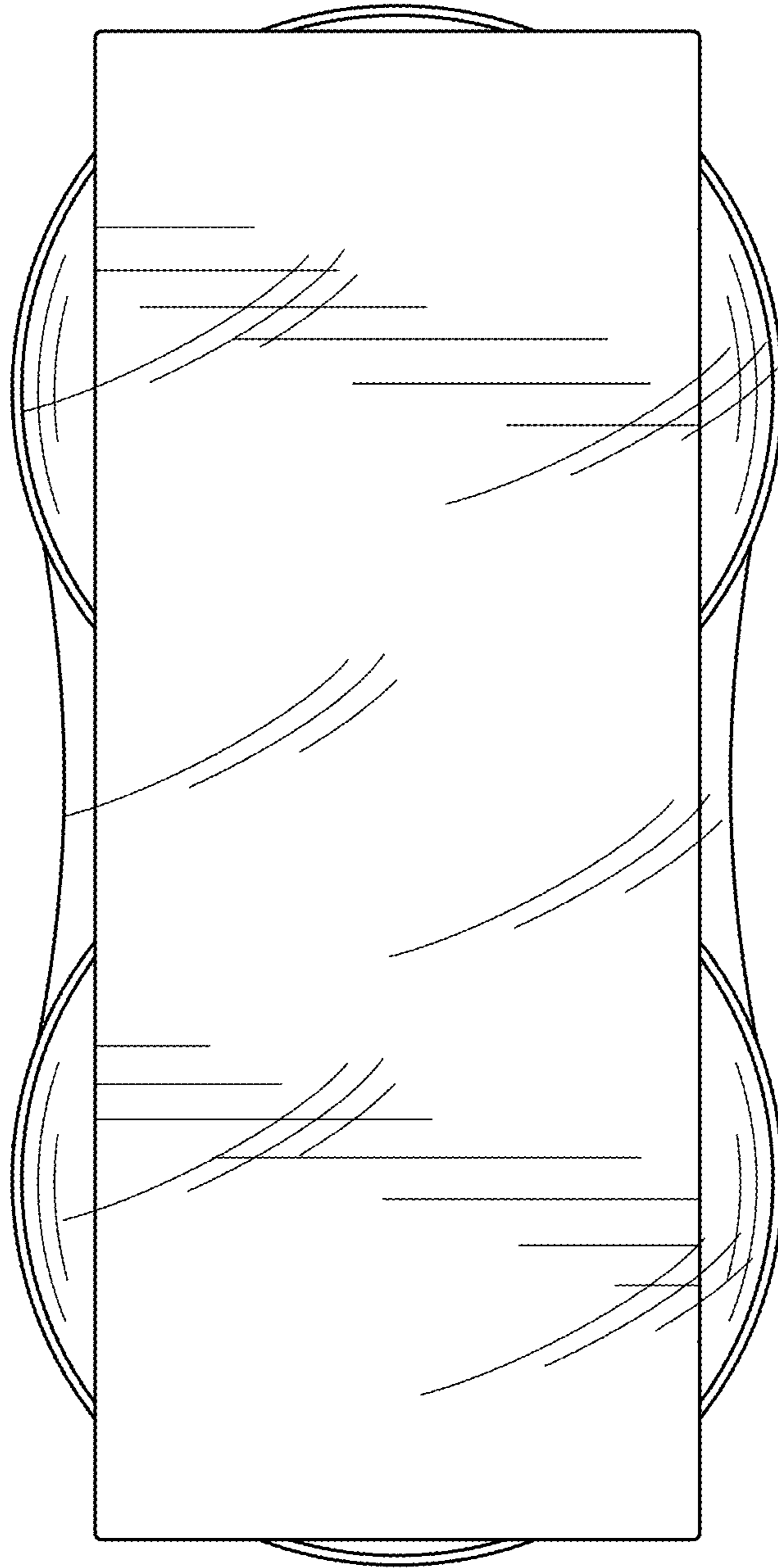


FIG. 8