



US00D793863S

(12) **United States Design Patent** (10) **Patent No.:** **US D793,863 S**  
**Huynen** (45) **Date of Patent:** **\*\* Aug. 8, 2017**

(54) **BOTTLE**  
(71) Applicant: **WYBOROWA S.A.**, Poznan (PL)  
(72) Inventor: **Christiaan H. J. N. Huynen**,  
Hilversum (NL)  
(73) Assignee: **WYBOROWA S.A.**, Poznan (PL)  
(\*\*) Term: **14 Years**  
(21) Appl. No.: **29/524,995**

D434,661 S \* 12/2000 Zambrano ..... D9/500  
D476,571 S 7/2003 Lince  
D508,856 S 8/2005 Boon et al.  
D522,366 S 6/2006 Scott  
D522,869 S \* 6/2006 Leshyk ..... D9/538  
D597,413 S 8/2009 Teuscher  
D623,534 S 9/2010 Shearsby et al.  
D625,609 S 10/2010 Shearsby et al.  
D626,419 S 11/2010 Adamson  
D645,354 S 9/2011 Doerr et al.  
D657,245 S 4/2012 Delbon  
D658,995 S 5/2012 Potts

(Continued)

(22) Filed: **Apr. 24, 2015**  
(51) **LOC (10) Cl.** ..... **09-04**  
(52) **U.S. Cl.**  
USPC ..... **D9/503**  
(58) **Field of Classification Search**  
USPC ..... D9/434-435, 454, 500, 503-505, 516,  
D9/530, 537, 539, 544-545, 549, 558,  
D9/715, 719; D7/300, 300.1, 598  
CPC ..... B65D 1/00; B65D 1/02; B65D 1/0223;  
B65D 23/00; B65D 81/00; B65D  
2501/00; B65D 2501/0009  
See application file for complete search history.

OTHER PUBLICATIONS

Design Registration No. 000171871-0001; Registered Apr. 26,  
2004; Underberg GmbH & Co. KG.

(Continued)

*Primary Examiner* — Dana L Meyrow  
(74) *Attorney, Agent, or Firm* — Knobbe Martens Olson  
& Bear LLP

(57) **CLAIM**

I claim the ornamental design for a bottle, as shown and  
described.

(56) **References Cited**

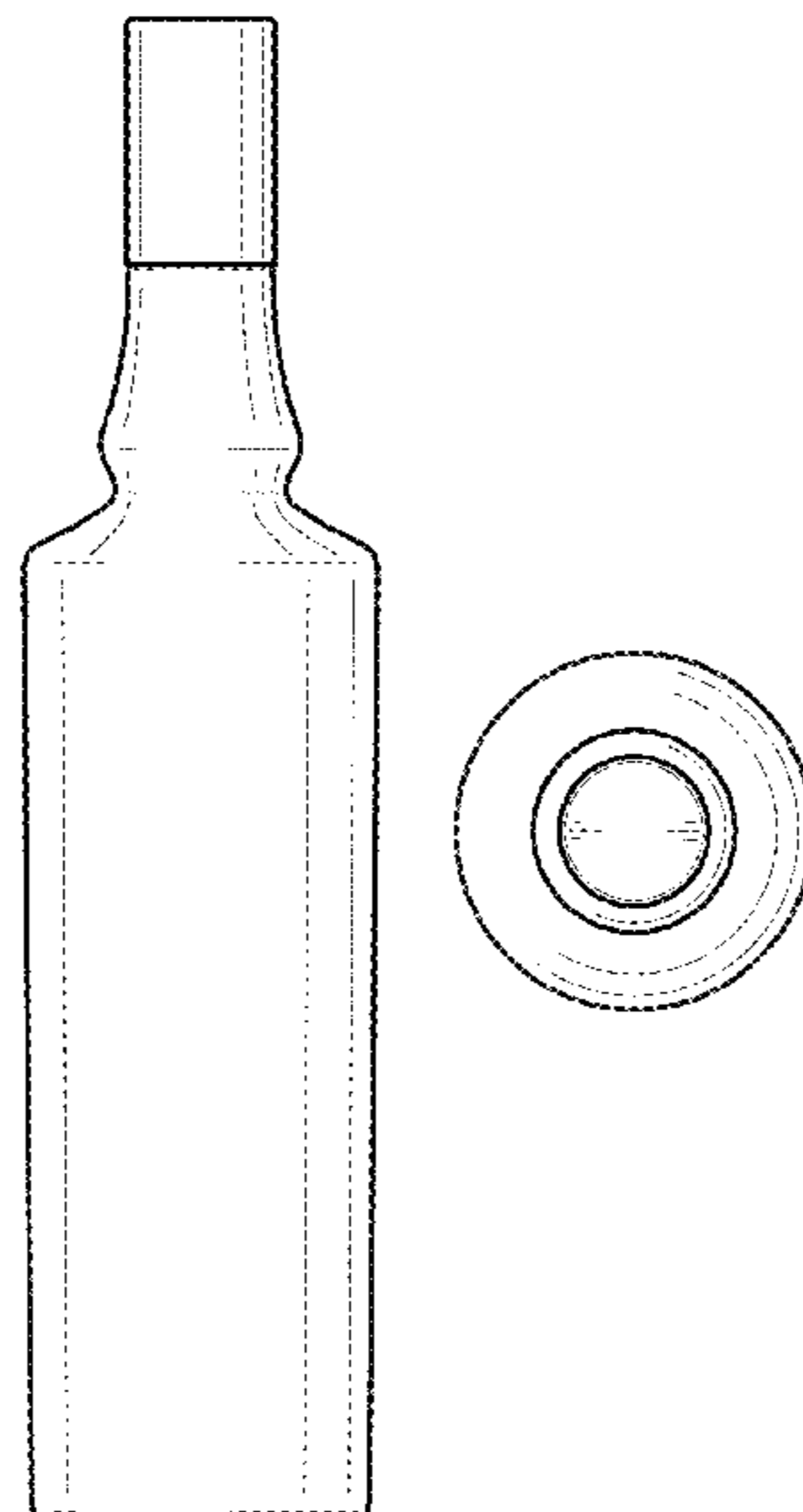
U.S. PATENT DOCUMENTS

D100,230 S 6/1936 Steelman  
D100,744 S 8/1936 Strouse  
D104,453 S 5/1937 Kihn  
D132,052 S 4/1942 Trees  
D190,931 S \* 7/1961 Ferguson ..... D9/545  
D195,532 S 6/1963 Otto  
D219,129 S 11/1970 Wood  
D229,746 S \* 1/1974 McPhee ..... D9/503  
D250,879 S \* 1/1979 Marks ..... D9/551  
D272,990 S 3/1984 Strand  
D356,952 S 4/1995 Daucourt  
D376,106 S 12/1996 Heckler  
D413,511 S \* 9/1999 Guthrie ..... D9/658  
D418,051 S \* 12/1999 van Wyk ..... D9/500

**DESCRIPTION**

FIG. 1 is a front elevational view of a bottle showing my  
new design. The right side elevational view, the left side  
elevational view, and the rear elevational view are all  
identical to the front elevational view.  
FIG. 2 is a top plan view thereof.  
FIG. 3 is a bottom plan view thereof.  
FIG. 4 is a top perspective view thereof; and,  
FIG. 5 is a bottom perspective view thereof.  
The broken lines in the drawings showing the central portion  
of the bottom surface illustrate the portion of the bottle that  
form no part of the claim.

**1 Claim, 4 Drawing Sheets**



(56)

**References Cited**

U.S. PATENT DOCUMENTS

D660,703 S	5/2012	Barsoumian et al.
D661,587 S	6/2012	Rodriguez
D687,302 S	8/2013	Reynolds
D694,626 S	12/2013	Barsoumian et al.
D697,423 S	1/2014	Infahsaeng
D700,845 S	3/2014	Fujimoto et al.
D704,068 S	5/2014	Robin-Prevallee et al.
D707,565 S	6/2014	Villasol
D731,316 S	6/2015	Joblonska

OTHER PUBLICATIONS

Design Registration No. 002053975-0001; Registered Jun. 7, 2012;  
Arcus Denmark AS.

Design Registration No. 001561465-001; Registered Jun. 25, 2009;  
Inventis GmbH.

Design Registration No. 134365; Registered Sep. 29, 2010; Bottle;  
Przedsiębiorstwo Polmos Białystok Spol.

\* cited by examiner

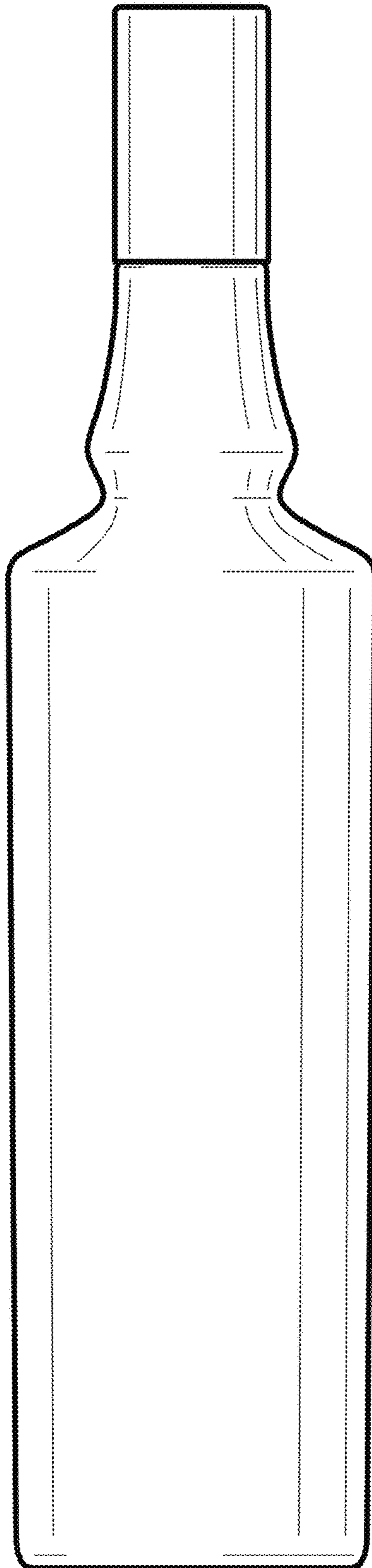


FIG. 1

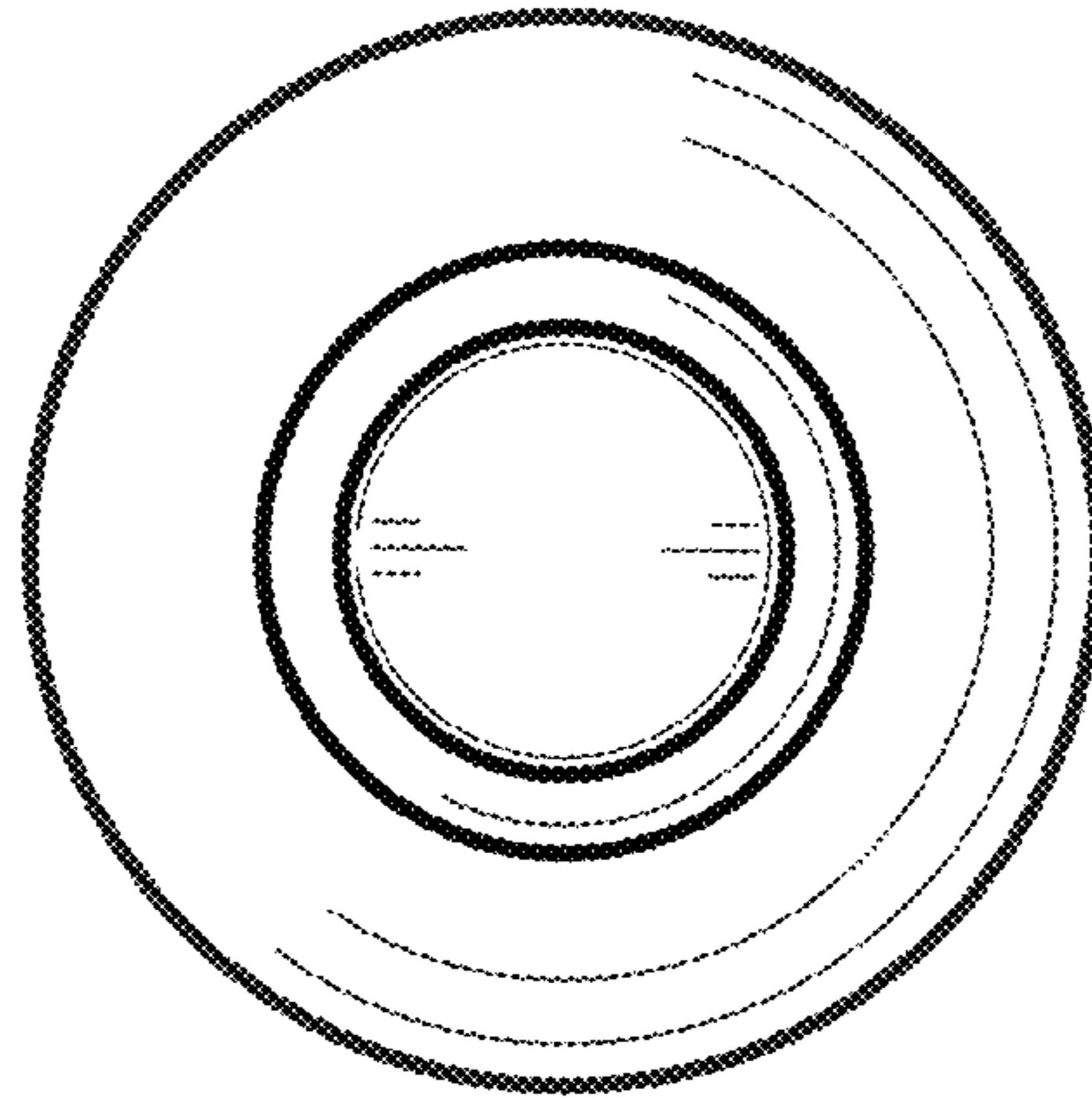


FIG. 2

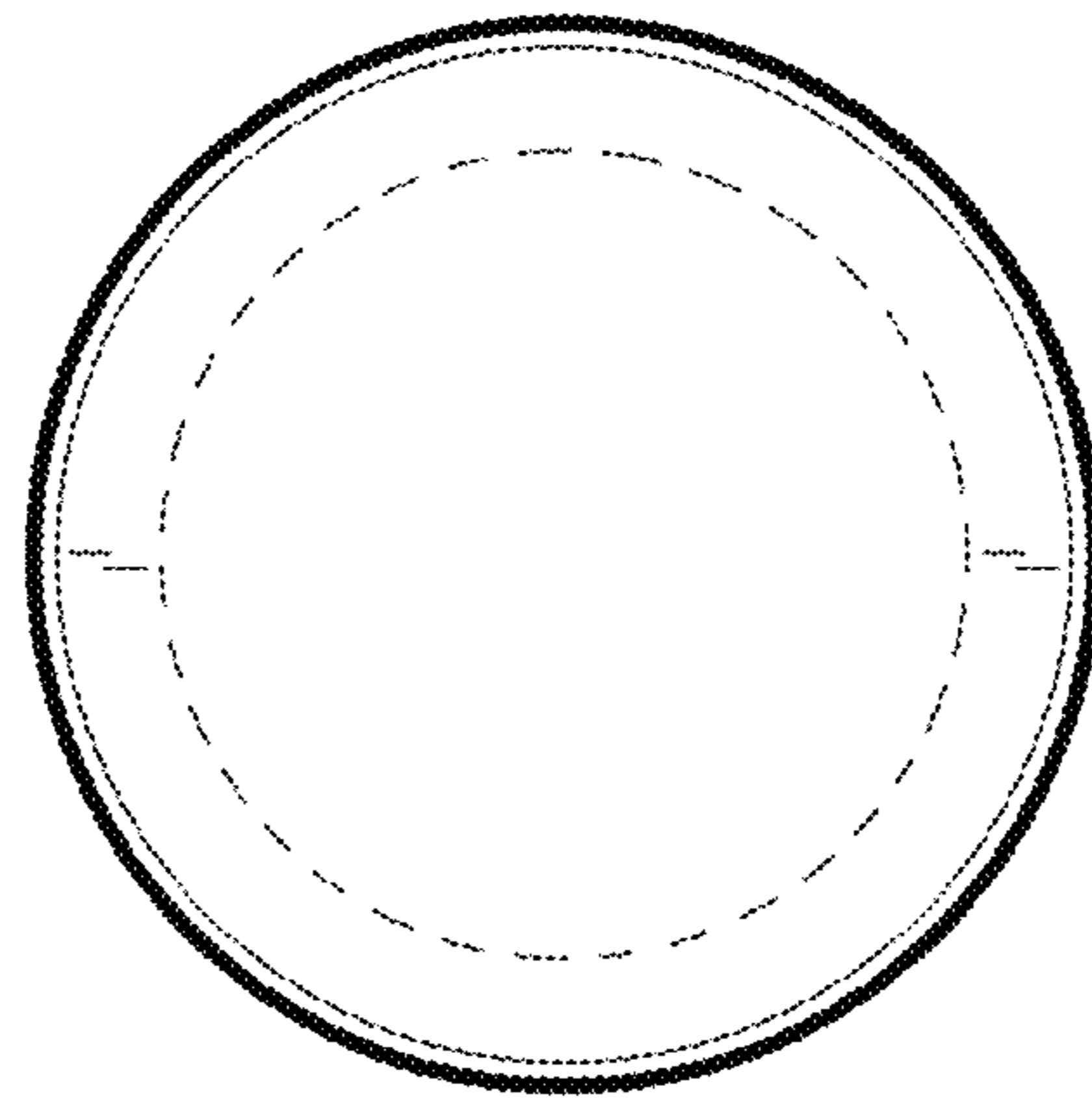


FIG. 3

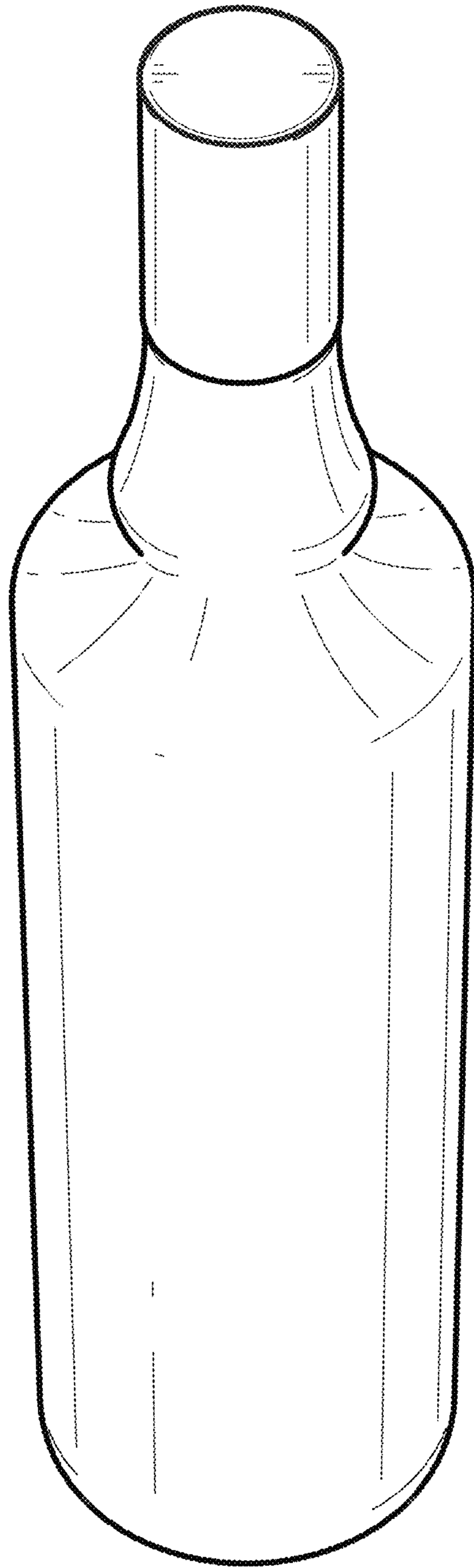


FIG. 4

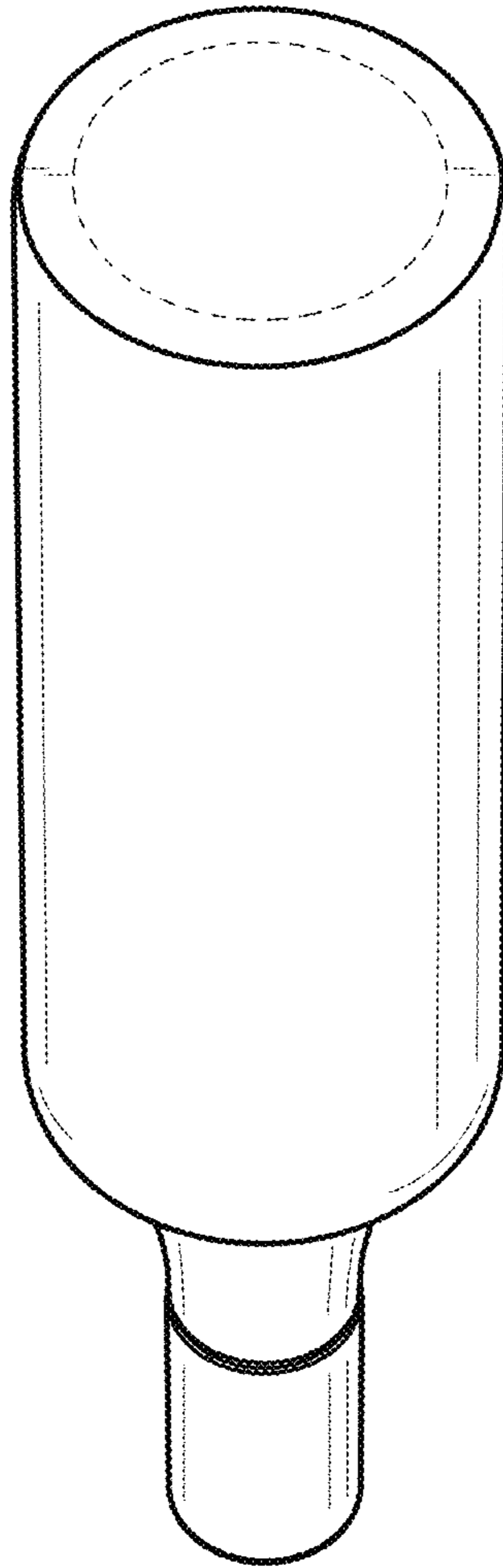


FIG. 5