



US00D793861S

(12) **United States Design Patent**
Siegel

(10) **Patent No.:** **US D793,861 S**

(45) **Date of Patent:** **** Aug. 8, 2017**

(54) **CONTAINER WITH LID**

(71) Applicant: **The Tin Box Company of America, Inc.**, Farmingdale, NY (US)

(72) Inventor: **Andrew Siegel**, Merrick, NY (US)

(73) Assignee: **The Tin Box Company of America, Inc.**, Farmingdale, NY (US)

(**) Term: **15 Years**

(21) Appl. No.: **29/553,067**

(22) Filed: **Jan. 28, 2016**

(51) **LOC (10) Cl.** **09-07**

(52) **U.S. Cl.**
USPC **D9/439; D9/443; D9/454**

(58) **Field of Classification Search**
USPC D7/317-319; D9/434, 436, 439, 440,
D9/447, 449, 530, 549
CPC B65D 43/02
See application file for complete search history.

(56) **References Cited**

U.S. PATENT DOCUMENTS

3,044,611	A *	7/1962	Tupper	B65D 43/0268
					220/276
3,349,941	A *	10/1967	Wanderer	B65D 43/021
					206/514
D244,357	S *	5/1977	Gardiner	D9/453
D284,344	S *	6/1986	Gecchelin	D7/318
D310,614	S *	9/1990	Pozzi	D7/316
D359,234	S *	6/1995	Amin	D9/428
D367,818	S *	3/1996	Zana	D9/454
D392,886	S *	3/1998	Yanes	D9/436
D403,200	S *	12/1998	Joergensen	D7/317
D411,106	S *	6/1999	Conrad	D9/436
D507,155	S *	7/2005	Gosen	D7/629
D527,999	S *	9/2006	Jelich	D9/449
D567,086	S *	4/2008	Buchman	D9/453
D583,230	S *	12/2008	Maze	D9/436
D697,366	S *	1/2014	Kristinik	D7/392.1
D749,885	S *	2/2016	Kent	D7/317

OTHER PUBLICATIONS

Crockpot. Replacement Food Container with Lid. 2016 [earliest online date], [site visited Dec. 22, 2016]. Available from Internet, <URL:http://www.crock-pot.com/parts/replacement-food-container-with-lid---crock-pot-lunch-crock-warmer/154441-000-000.html#review/160968152>.*

* cited by examiner

Primary Examiner — Robert M Spear

Assistant Examiner — Darcey E Heflin

(74) *Attorney, Agent, or Firm* — Greenberg Traurig, LLP

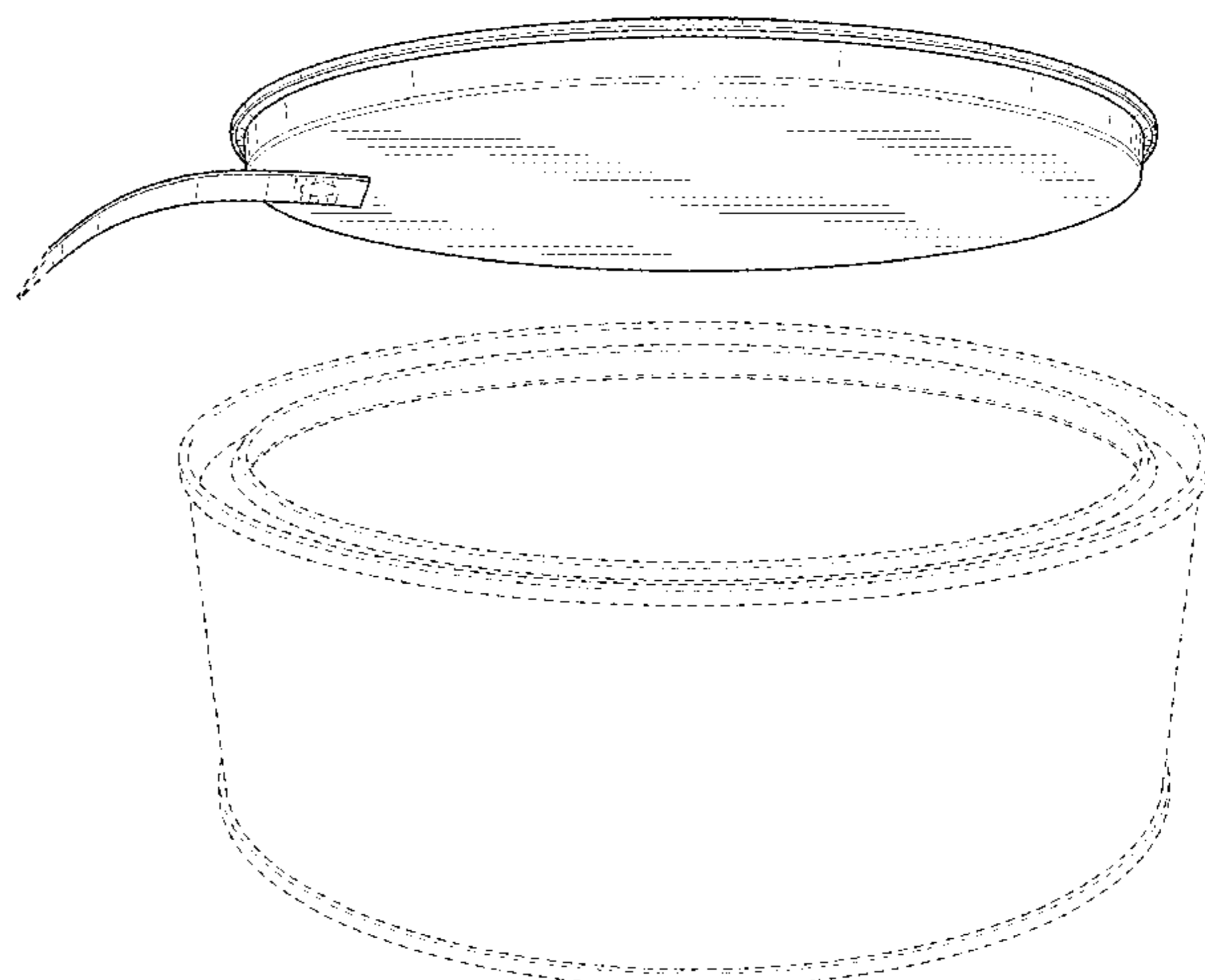
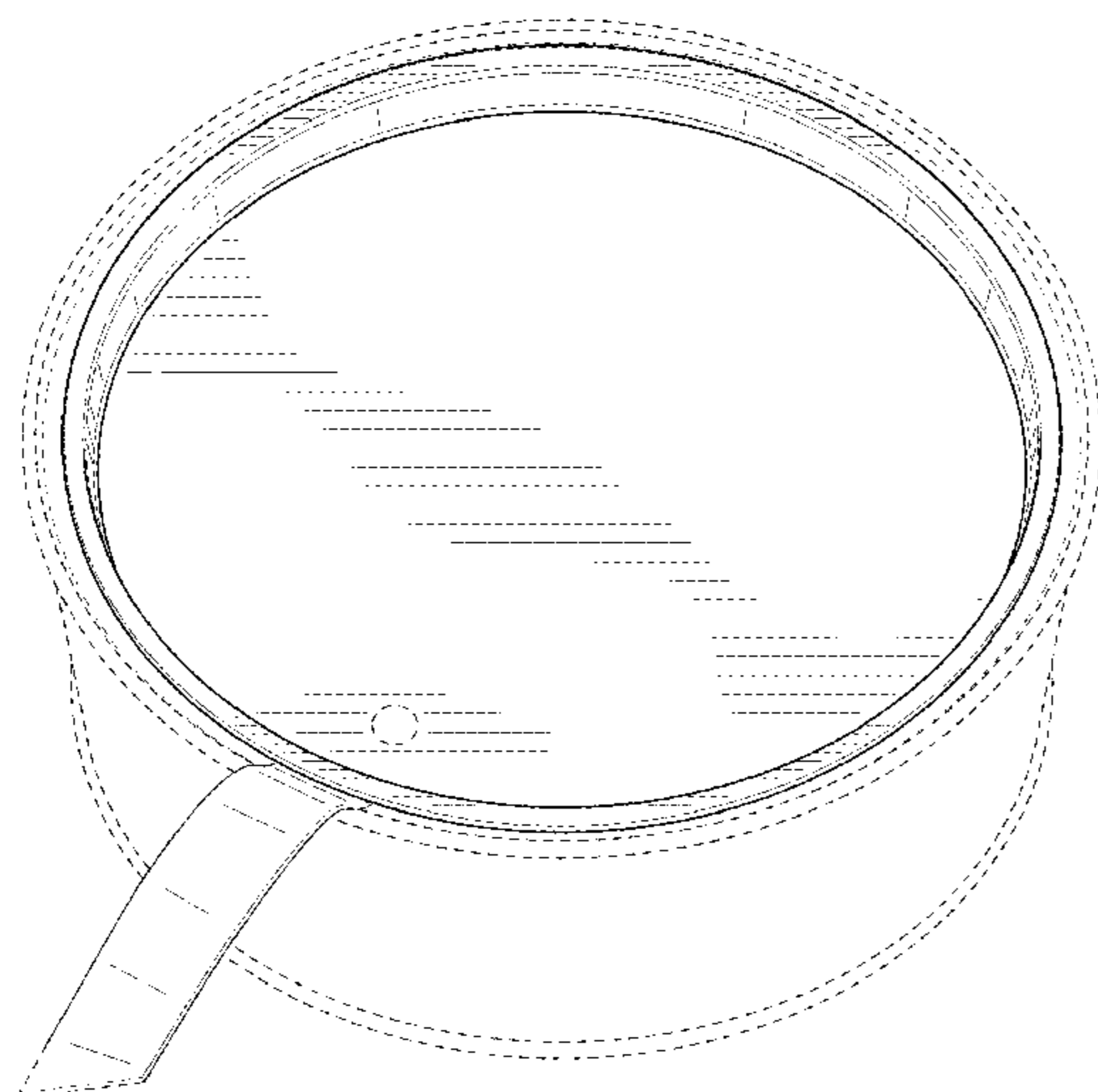
(57) **CLAIM**

The ornamental design for a container with lid, as shown and described.

DESCRIPTION

FIG. 1 is a perspective view of a container with lid showing my new design;
FIG. 2 is a front view of the container with lid shown in FIG. 1;
FIG. 3 is a rear view of the container with lid shown in FIG. 1;
FIG. 4 is a left side view of the container with lid shown in FIG. 1;
FIG. 5 is a right side view of the container with lid shown in FIG. 1;
FIG. 6 is a top view of the container with lid shown in FIG. 1;
FIG. 7 is a bottom view of the container with lid shown in FIG. 1; and,
FIG. 8 is a bottom perspective view of the container with lid shown in FIG. 1, showing the lid removed from the container for clarity of disclosure.
In the drawings, the broken lines showing portions of a container and lid depict environment and form no part of the claim.

1 Claim, 6 Drawing Sheets



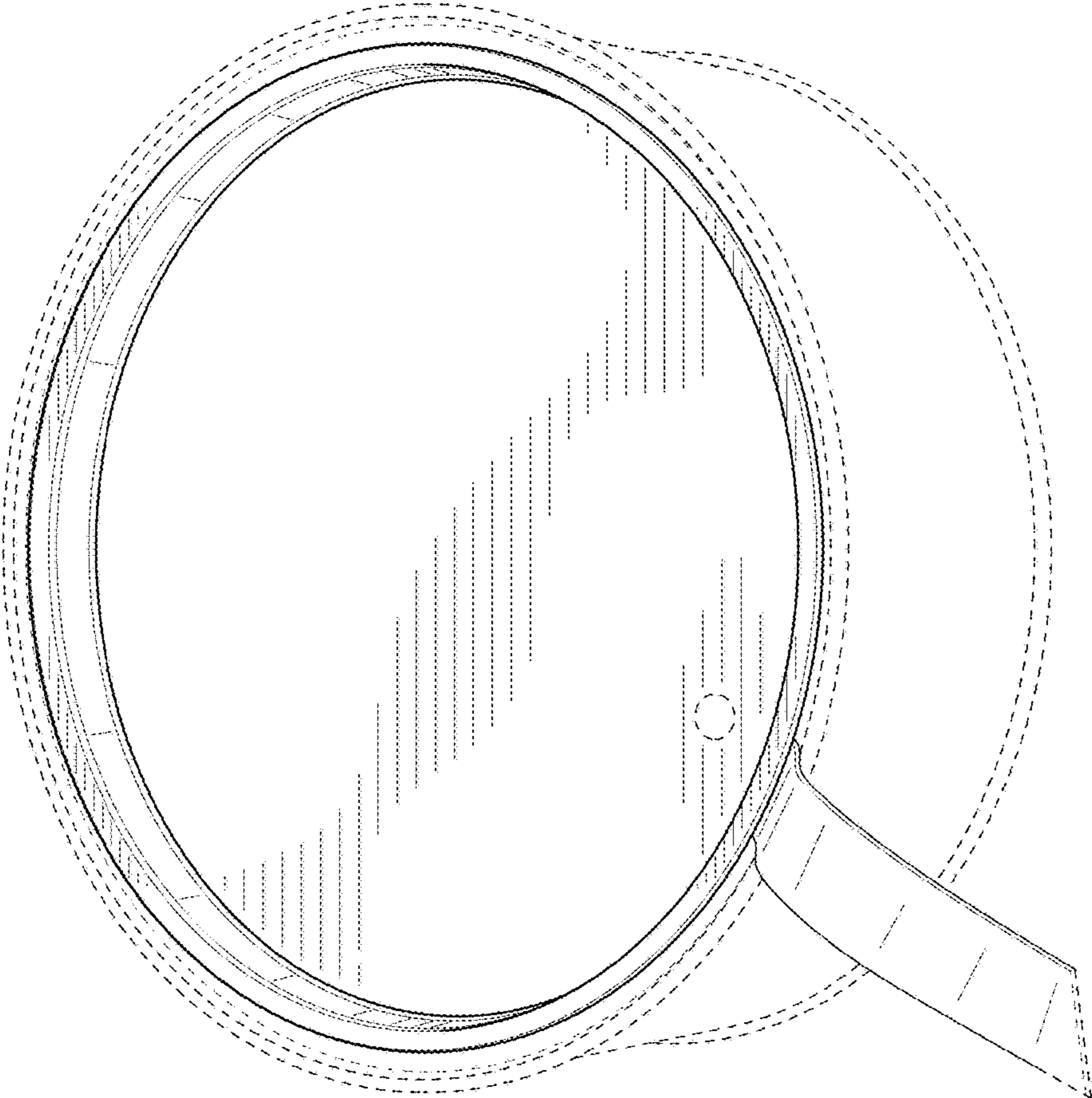


FIG. 1

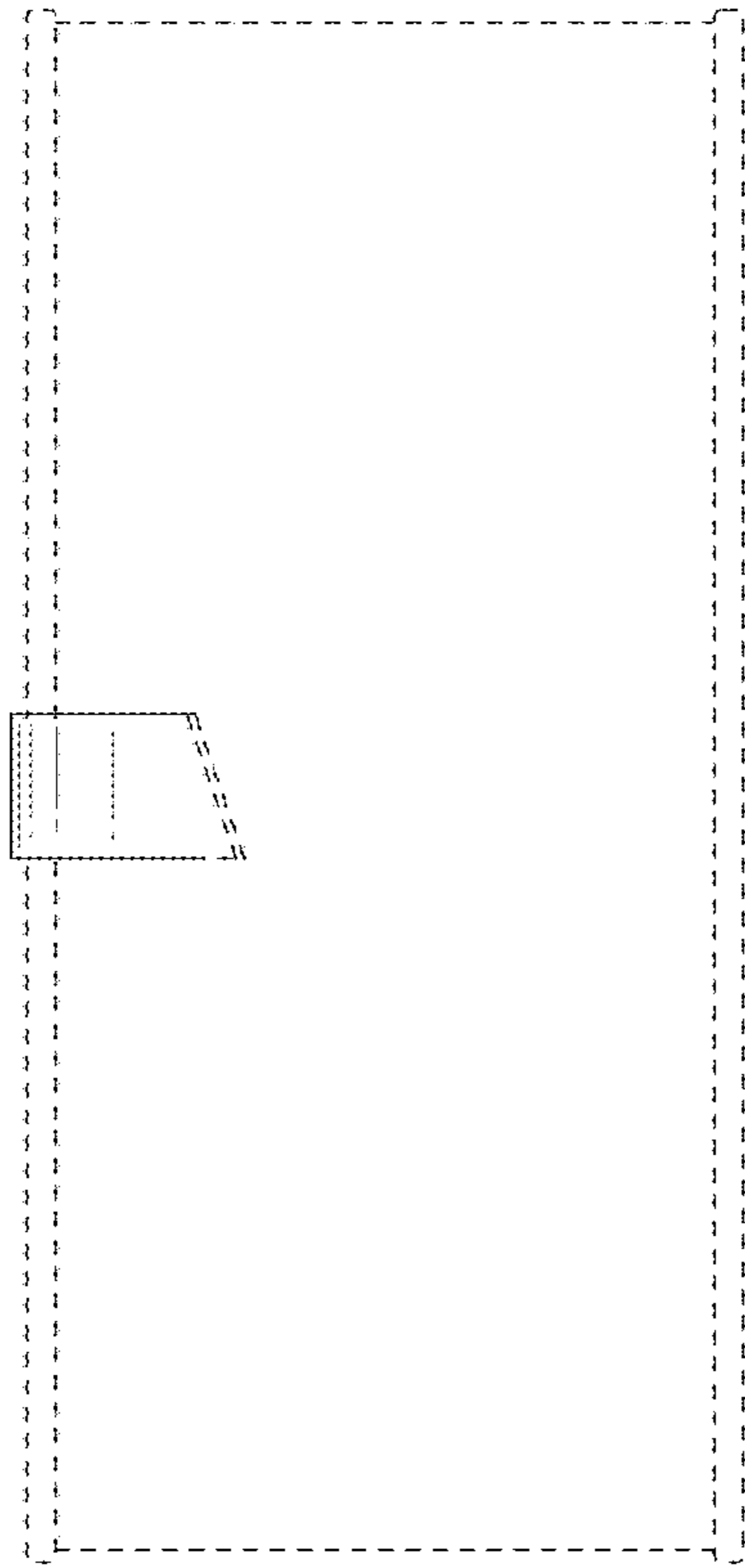


FIG. 2

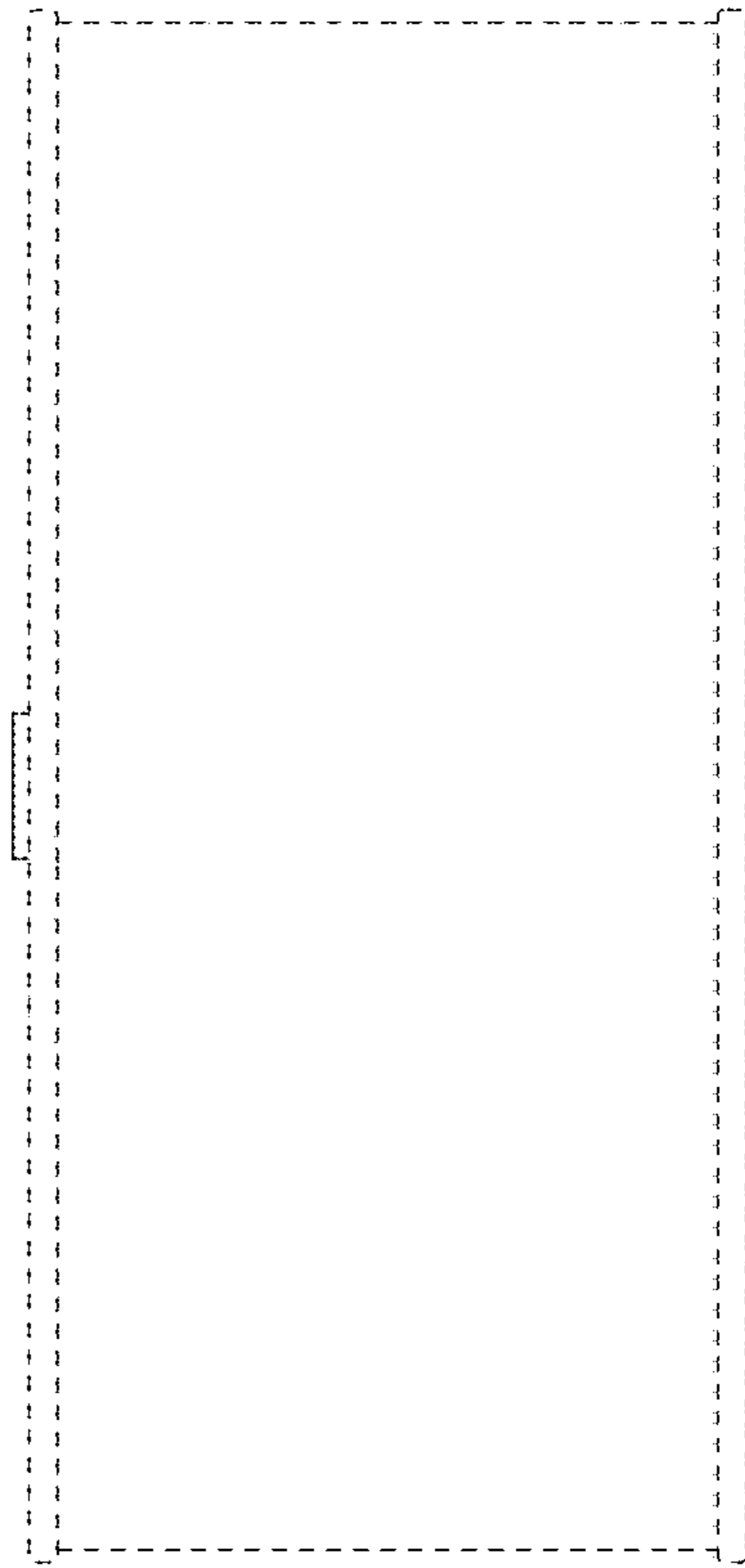


FIG. 3

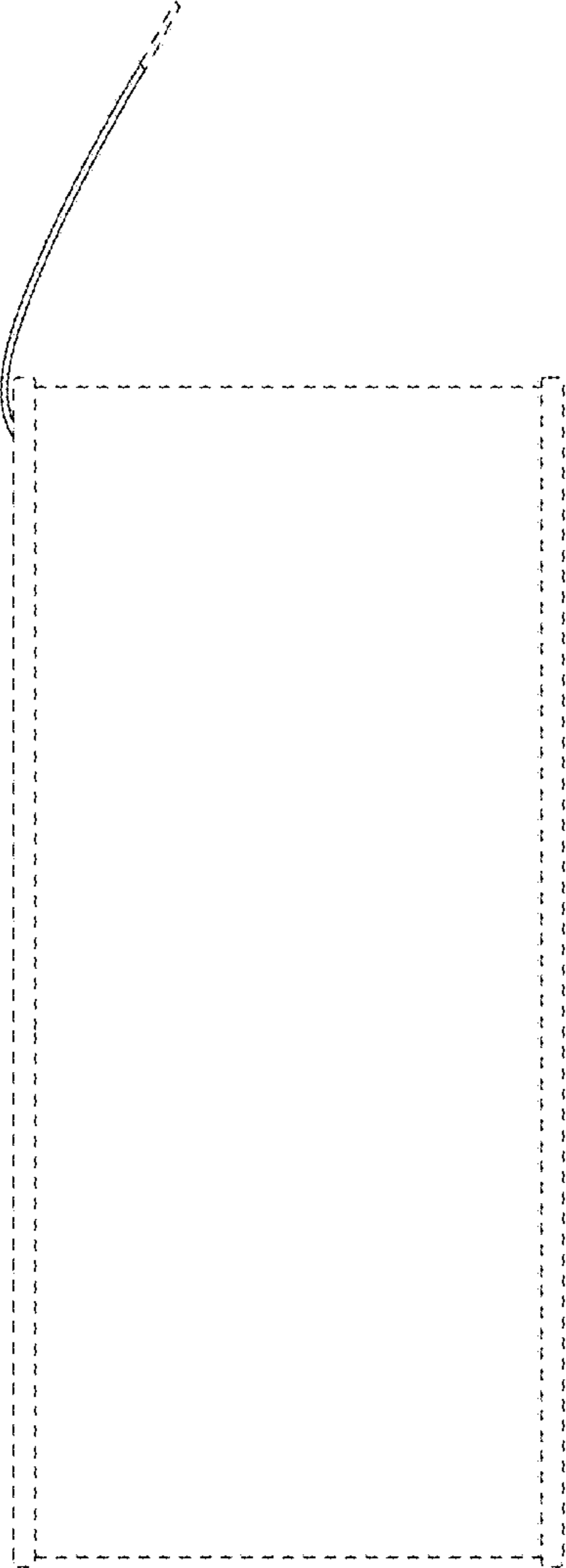


FIG. 4

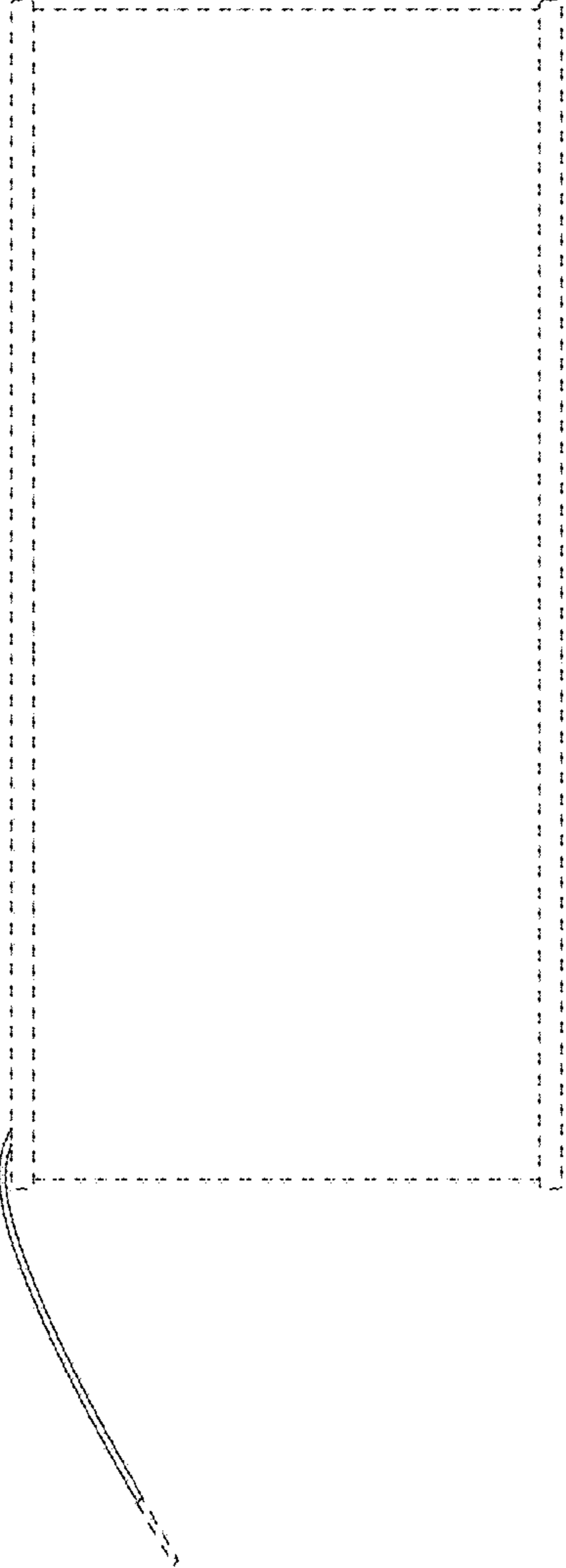


FIG. 5

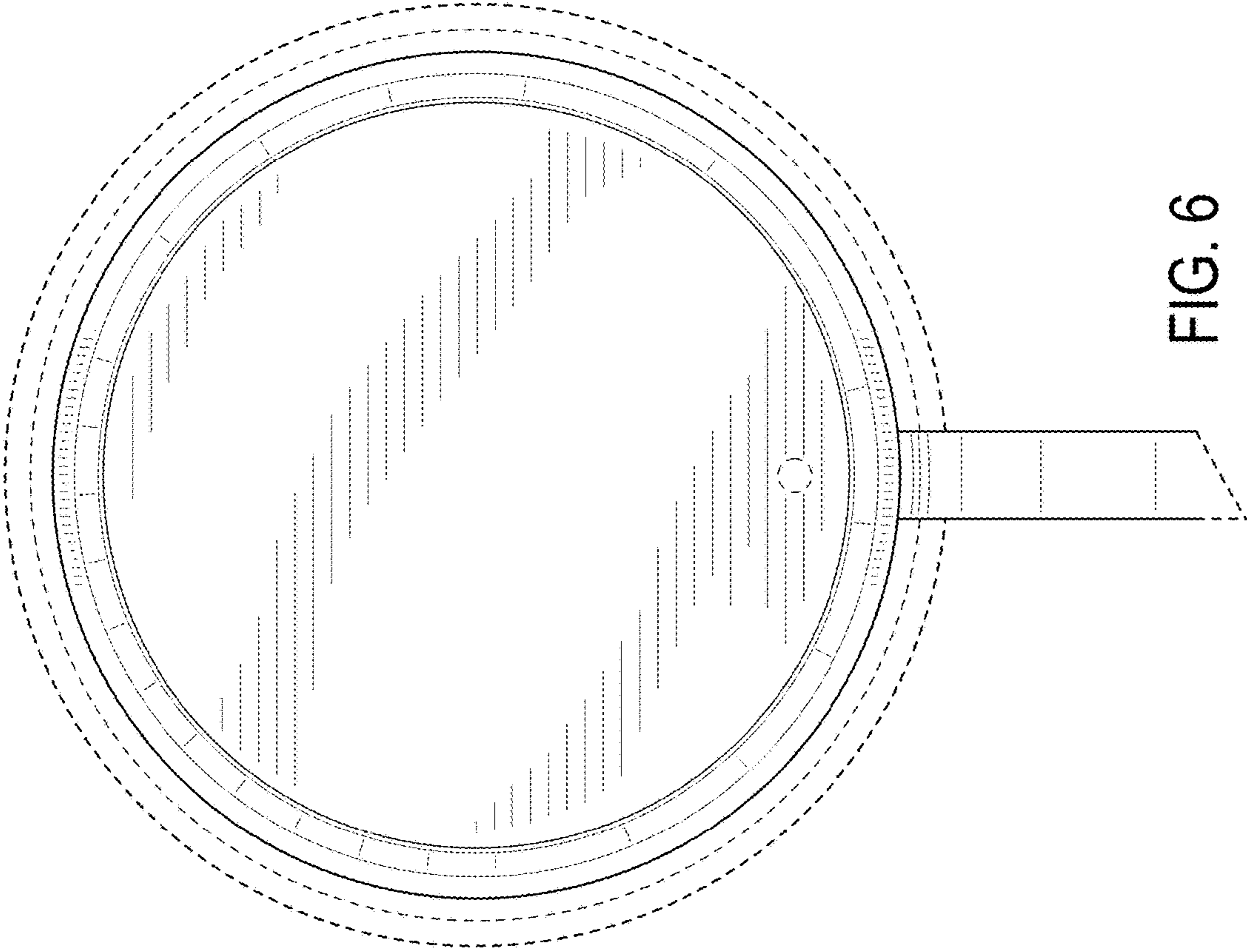


FIG. 6

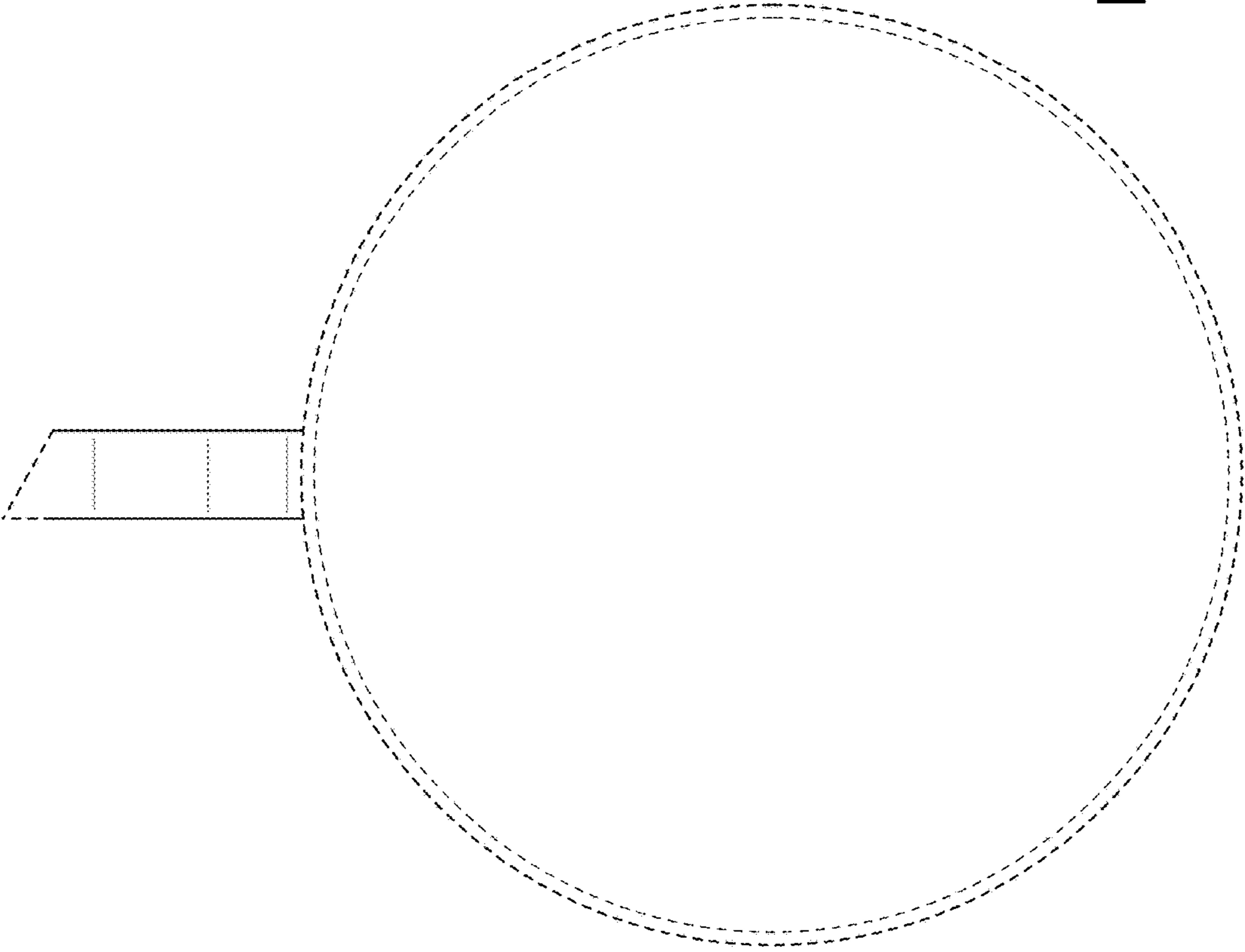


FIG. 7

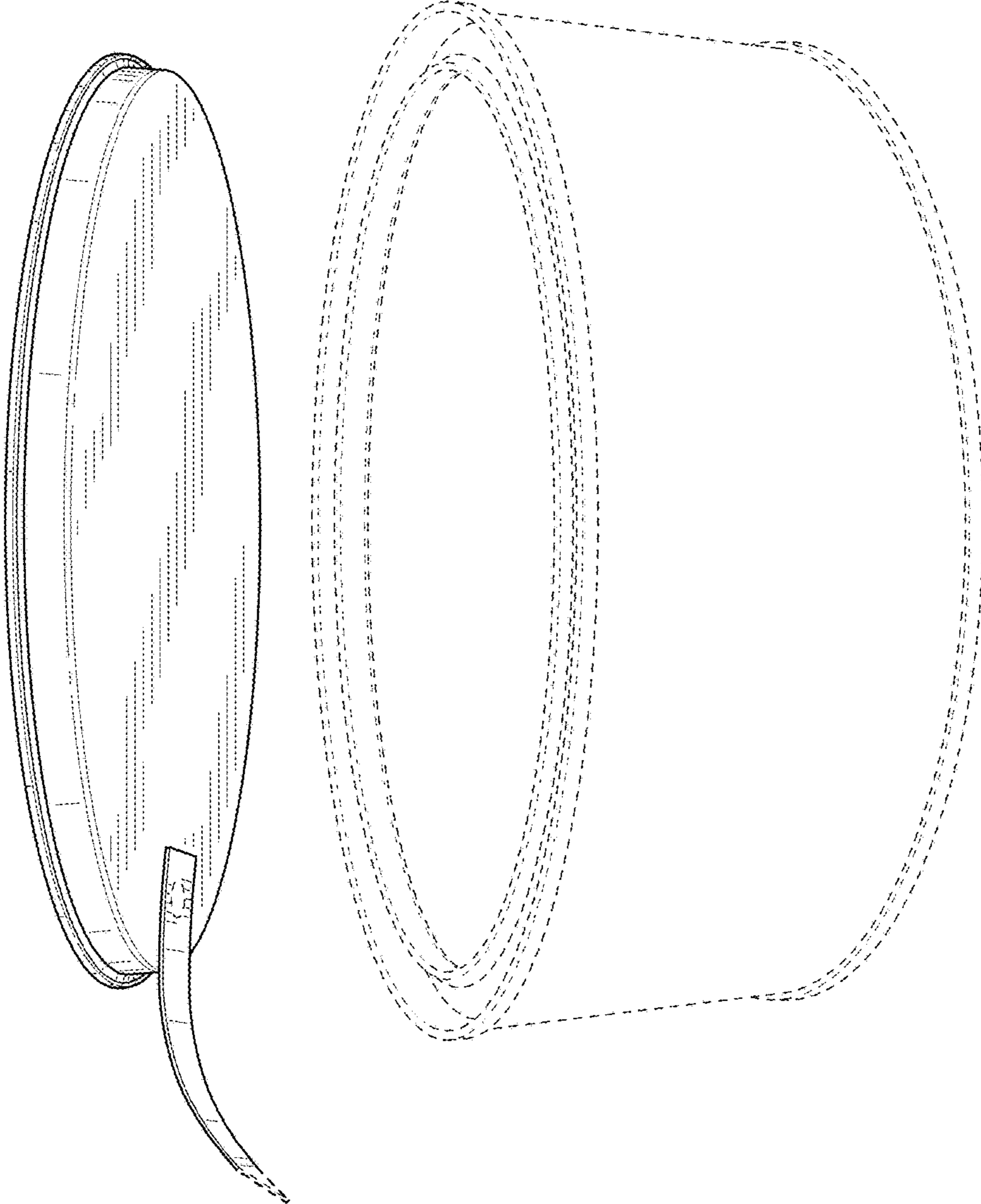


FIG. 8