



US00D793860S

(12) **United States Design Patent** (10) **Patent No.:** **US D793,860 S**
Keller et al. (45) **Date of Patent:** **** Aug. 8, 2017**

(54) **CONTAINER**

D198,649 S * 7/1964 Dobbins D9/443
3,431,918 A 3/1969 Neumann
D218,399 S * 8/1970 Campbell D9/504
(Continued)

(71) Applicant: **Pfizer Inc.**, New York, NY (US)

(72) Inventors: **Matthew Clifton Keller**, Richmond, VA (US); **William H. Valls**, Loveland, OH (US); **Zachariah S. Simmering**, Mansfield, OH (US)

FOREIGN PATENT DOCUMENTS

CH 268337 A 5/1950
CN 2293242 Y 10/1998
(Continued)

(73) Assignee: **Pfizer Inc.**, New York, NY (US)

(**) Term: **15 Years**

OTHER PUBLICATIONS

(21) Appl. No.: **29/553,385**

Musings of a Muse. Chapstick Duo Completely Customizable and Utterly Delicious! Nov. 15, 2016 [earliest online date], [site visited Feb. 13, 2017]. Available from Internet, <URL:http://www.musingsofamuse.com/2016/11/chapstick-duo-review.html>.*

(22) Filed: **Feb. 1, 2016**

(51) **LOC (10) Cl.** **09-03**

(52) **U.S. Cl.**
USPC **D9/431**

(58) **Field of Classification Search**
USPC D9/414, 431, 434, 435, 439, 440, 443, D9/445, 447, 448, 449, 454, 499
CPC B65D 39/00; B65D 41/00; B65D 50/048
See application file for complete search history.

(Continued)

Primary Examiner — Robert M Spear
Assistant Examiner — Darcey E Heflin
(74) *Attorney, Agent, or Firm* — Paula K. Davis; Jeffrey M. Gold

(56) **References Cited**

U.S. PATENT DOCUMENTS

1,626,311 A	4/1927	Tipton
1,626,312 A	4/1927	Tipton
1,852,455 A	4/1932	Friedman
1,899,748 A	2/1933	Cornell
1,953,911 A	4/1934	Foster
2,171,112 A	8/1939	Hoffman
2,177,651 A	10/1939	Harris
2,201,467 A	5/1940	Bloom
2,264,482 A	12/1941	Ridner
2,314,338 A	3/1943	Graves et al.
2,414,245 A	1/1947	Rudd
2,573,828 A	11/1951	Braselton
2,710,614 A	6/1955	Dulberg
2,745,642 A	5/1956	Hermann
2,859,085 A	11/1958	Morrison

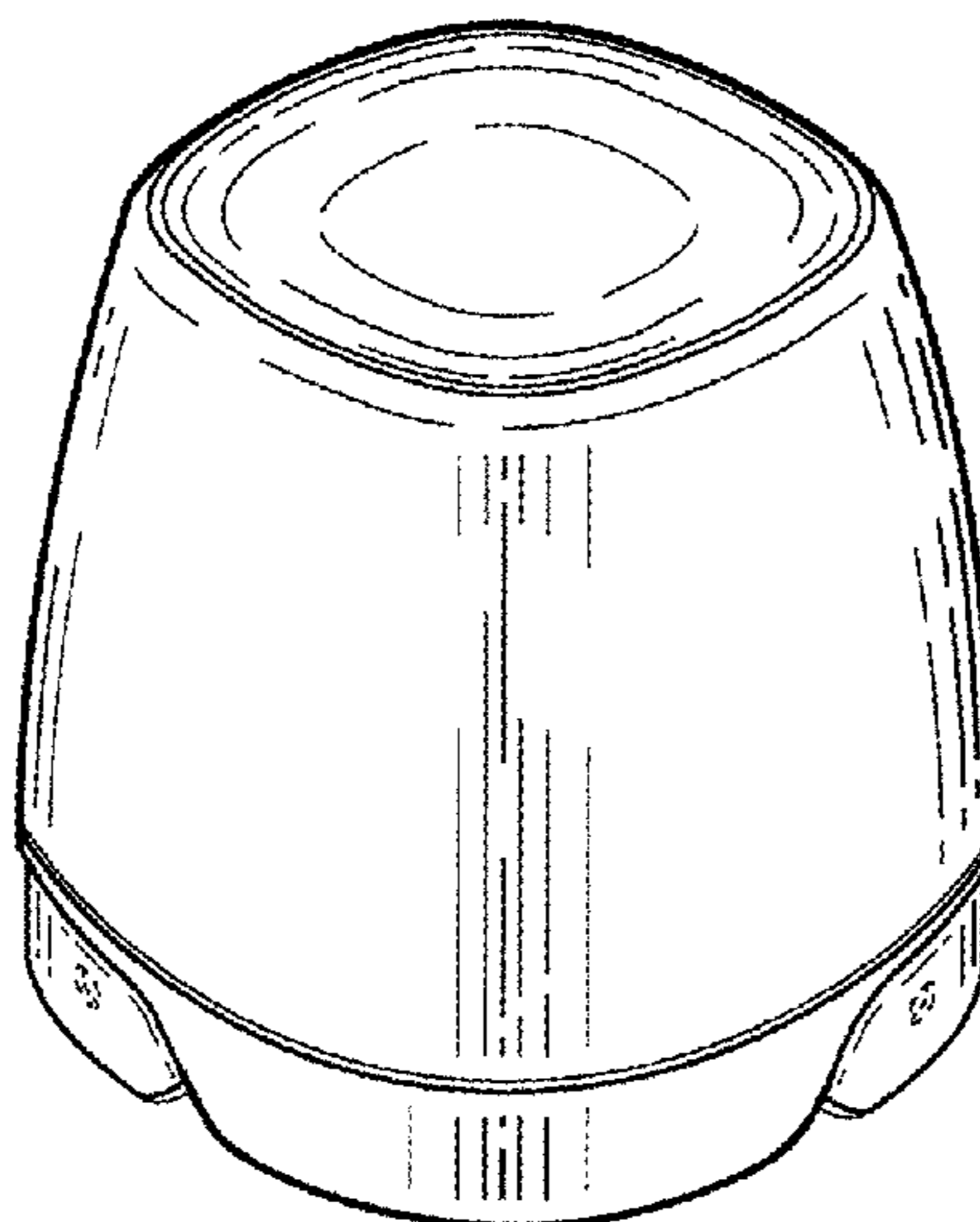
(57) **CLAIM**

The ornamental design for a container, as shown and described.

DESCRIPTION

FIG. 1 is a perspective view of a container showing our new design;
FIG. 2 is a front elevational view thereof, the rear being identical;
FIG. 3 is a left side elevational view thereof, the right side being identical;
FIG. 4 is a top plan view thereof; and,
FIG. 5 is a bottom plan view thereof.
In the drawings, the claimed design is defined by shaded surfaces. The broken lines showing portions of a container depict environment and form no part of the claim.

1 Claim, 3 Drawing Sheets



(56)

References Cited

U.S. PATENT DOCUMENTS

3,741,379 A 6/1973 Kappler et al.
 3,843,120 A 10/1974 Ricci
 4,235,557 A 11/1980 Hayes
 D257,764 S * 1/1981 Tajima D9/529
 4,728,210 A 3/1988 Wallace
 5,025,817 A 6/1991 Wen
 5,044,496 A 9/1991 Tanaka et al.
 5,137,185 A 8/1992 Mitchell
 D348,123 S 6/1994 Wu
 5,326,185 A 7/1994 Dornbusch et al.
 5,496,122 A 3/1996 Fattori
 5,503,825 A 4/1996 Lane
 5,542,557 A 8/1996 Koyama et al.
 D377,849 S 2/1997 Fabrisi
 5,609,430 A 3/1997 Mazzola et al.
 5,738,123 A 4/1998 Szekely
 5,799,667 A 9/1998 Szekely
 5,800,086 A 9/1998 Piscopo et al.
 5,813,784 A 9/1998 Durliat
 D406,397 S 3/1999 Nahum-Albright
 5,884,637 A 3/1999 Joulia
 D410,570 S 6/1999 Lerolle
 5,954,442 A 9/1999 Monin-Bareil
 5,984,553 A 11/1999 Piscopo et al.
 D420,466 S 2/2000 Coates et al.
 D420,767 S 2/2000 Coates et al.
 D422,748 S 4/2000 Lang
 6,050,438 A 4/2000 Kovens et al.
 6,193,427 B1 2/2001 Benguigui
 6,391,972 B1 5/2002 Hatakeyama
 D465,614 S 11/2002 Petit
 6,568,529 B2 5/2003 McMurrey
 D484,646 S 12/2003 Ditrachstein
 6,682,242 B1 1/2004 Montoli
 6,688,795 B1 2/2004 Jacob et al.
 6,702,494 B2 3/2004 Dumler et al.
 D489,612 S * 5/2004 Kostow D9/444
 6,773,187 B2 8/2004 Gueret
 7,025,520 B2 4/2006 Petit
 D530,609 S * 10/2006 Beaver D9/445
 D534,076 S 12/2006 Green et al.
 D538,478 S 3/2007 Chen
 D547,182 S * 7/2007 Foster D9/448
 D554,529 S 11/2007 Green et al.
 D562,699 S 2/2008 Green et al.
 D564,900 S 3/2008 Green et al.
 D566,549 S * 4/2008 Russell D9/445
 7,367,736 B2 5/2008 Chan
 D572,586 S * 7/2008 Medema D9/445
 D583,506 S 12/2008 Justice
 7,631,781 B2 12/2009 Chen
 D611,814 S * 3/2010 Marotti D9/454
 D612,245 S 3/2010 Canamasas Puigbo
 D612,725 S * 3/2010 Chan D9/439
 7,695,727 B2 4/2010 Magee et al.
 7,699,062 B2 4/2010 Sasaki
 7,802,937 B1 9/2010 Szekely
 D625,469 S 10/2010 Dubitsky et al.
 D631,204 S 1/2011 Dubitsky et al.
 D632,017 S 2/2011 Lee
 D644,939 S 9/2011 Teller et al.
 8,043,017 B2 10/2011 Beierwaltes et al.
 D651,903 S 1/2012 Teller
 D660,694 S * 5/2012 Mongeon D9/445
 D661,431 S 6/2012 Bagley
 8,226,311 B2 7/2012 Cronin
 D667,300 S * 9/2012 Davis D9/435
 D681,278 S 4/2013 Schlatter
 8,434,955 B2 5/2013 Rauschert et al.
 8,444,337 B2 5/2013 Teller et al.
 D688,569 S 8/2013 Weeston
 8,651,308 B1 2/2014 Sung
 8,668,398 B2 3/2014 Rosengard
 D708,789 S 7/2014 Schlatter
 D708,790 S 7/2014 Schlatter

D708,791 S 7/2014 Schlatter
 D709,652 S 7/2014 Teller
 D710,544 S 8/2014 Shen
 8,834,050 B2 9/2014 Liba
 8,888,391 B2 11/2014 Teller et al.
 D726,028 S 4/2015 Thompson
 D732,240 S 6/2015 Brown
 D733,967 S 7/2015 Schlatter
 D734,550 S 7/2015 Schlatter
 D734,894 S 7/2015 Schlatter
 D735,413 S 7/2015 Smith et al.
 D735,414 S 7/2015 Schlatter
 9,185,963 B2 11/2015 Weeston
 D750,486 S * 3/2016 Conway D9/435
 2003/0041870 A1 3/2003 Hu
 2003/0201201 A1 10/2003 Cheng
 2006/0254945 A1 11/2006 Green et al.
 2009/0090377 A1 4/2009 Tran
 2011/0024316 A1 2/2011 Ginsburg
 2013/0089367 A1 4/2013 Liba

FOREIGN PATENT DOCUMENTS

CN 201294954 Y 8/2009
 CN 203041110 U 7/2013
 CN 204378253 U 6/2015
 CN 204467304 U 7/2015
 CN 102805473 B 8/2015
 DE 8433747 U1 2/1985
 DE 29918252 U1 3/2001
 DE 202006002682 U1 5/2006
 DE 202012104020 U1 12/2012
 EP 1068817 A2 1/2001
 EP 1832198 A1 9/2007
 FR 538021 A 6/1922
 FR 1090126 A 3/1955
 FR 2563711 A1 11/1985
 FR 2597733 A1 10/1987
 FR 2726444 B1 1/1997
 FR 2726443 B1 4/1997
 FR 2766339 B1 9/1999
 FR 2882235 B1 4/2007
 FR 3016116 A1 7/2015
 GB 429845 A 6/1935
 GB 2086849 A1 5/1982
 GB 2162822 B2 4/1988
 GB 2512412 A1 10/2014
 JP 48-095868 U1 11/1973
 JP 48-095869 U1 11/1973
 JP 48-098379 U1 11/1973
 JP 58-017820 U1 2/1983
 JP 60-044713 U1 3/1985
 JP 60-083514 U1 6/1985
 JP 60-083515 U1 6/1985
 JP 60-173231 U1 11/1985
 JP 61-030410 U1 2/1986
 JP 61-197910 U1 12/1986
 JP 1050713 U 3/1989
 JP 70-36929 U1 7/1995
 JP 3519140 B2 4/2004
 WO WO-9106232 A1 5/1991

OTHER PUBLICATIONS

“PCT Notification of Transmittal of the International Search Report and the Written Opinion of the International Searching Authority, or the Declaration”, mailed Nov. 14, 2016, relating to PCT International Patent Application No. PCT/IB2016/055748 having international filing date Sep. 26, 2016.
 Utility U.S. Appl. No. 15/275,979, titled “Dual-Ended Lip-Balm Container”, filed Sep. 26, 2016.
 Design U.S. Appl. No. 29/553,370, titled “Dual-Ended Container”, filed Feb. 1, 2016.
 Utility U.S. Appl. No. 15/275,783, titled “Dual-Ended Lip-Balm Container”, filed Sep. 26, 2016.
 Grob Cosmetics, Swiss Design 116444, Jun. 29, 1988.

(56)

References Cited

OTHER PUBLICATIONS

Grob Cosmetics, Swiss Design 117848, Jan. 15, 1990.
Grob Cosmetics, UK Design 2007213, Jan. 11, 1991.

* cited by examiner

FIG. 1

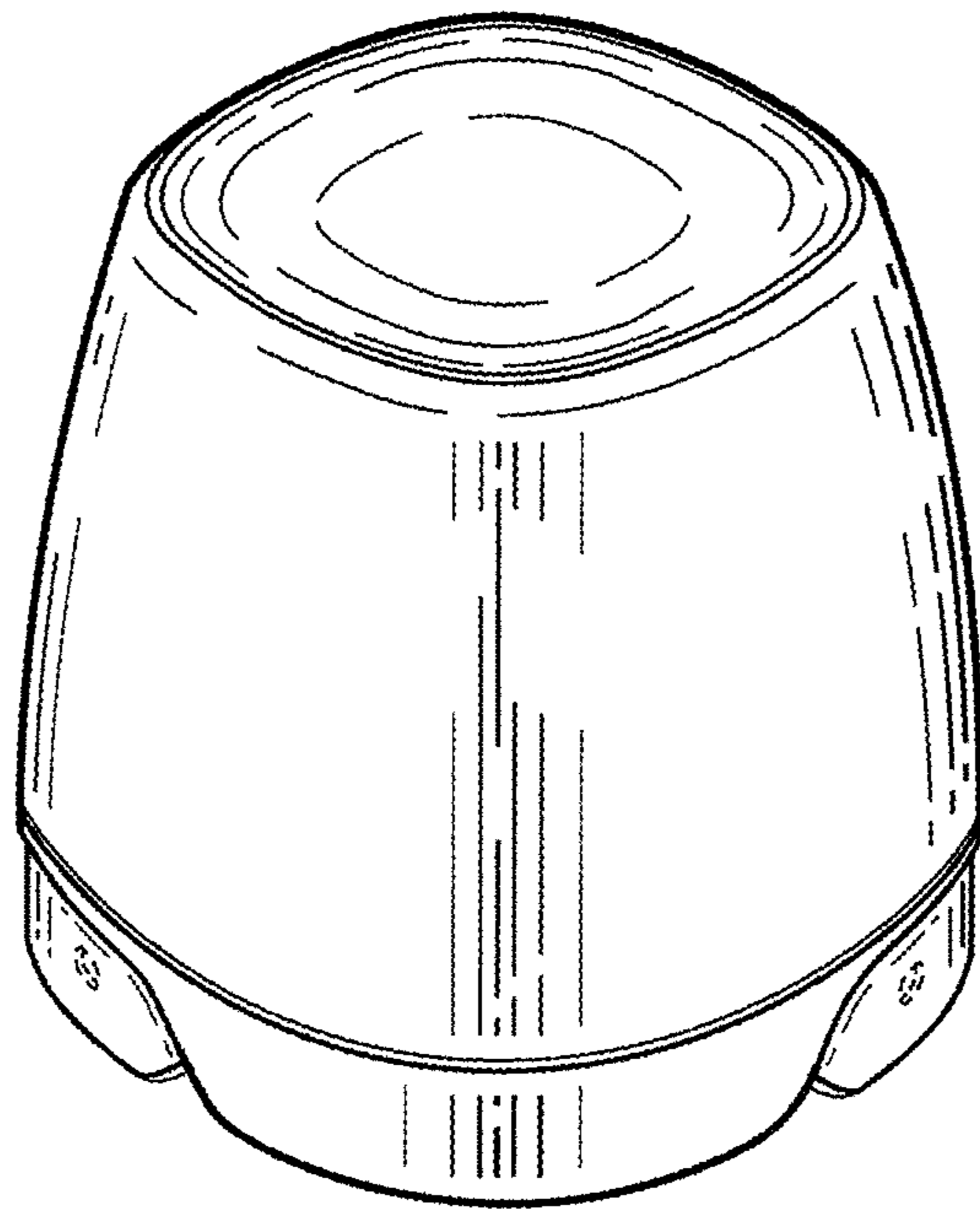


FIG. 2

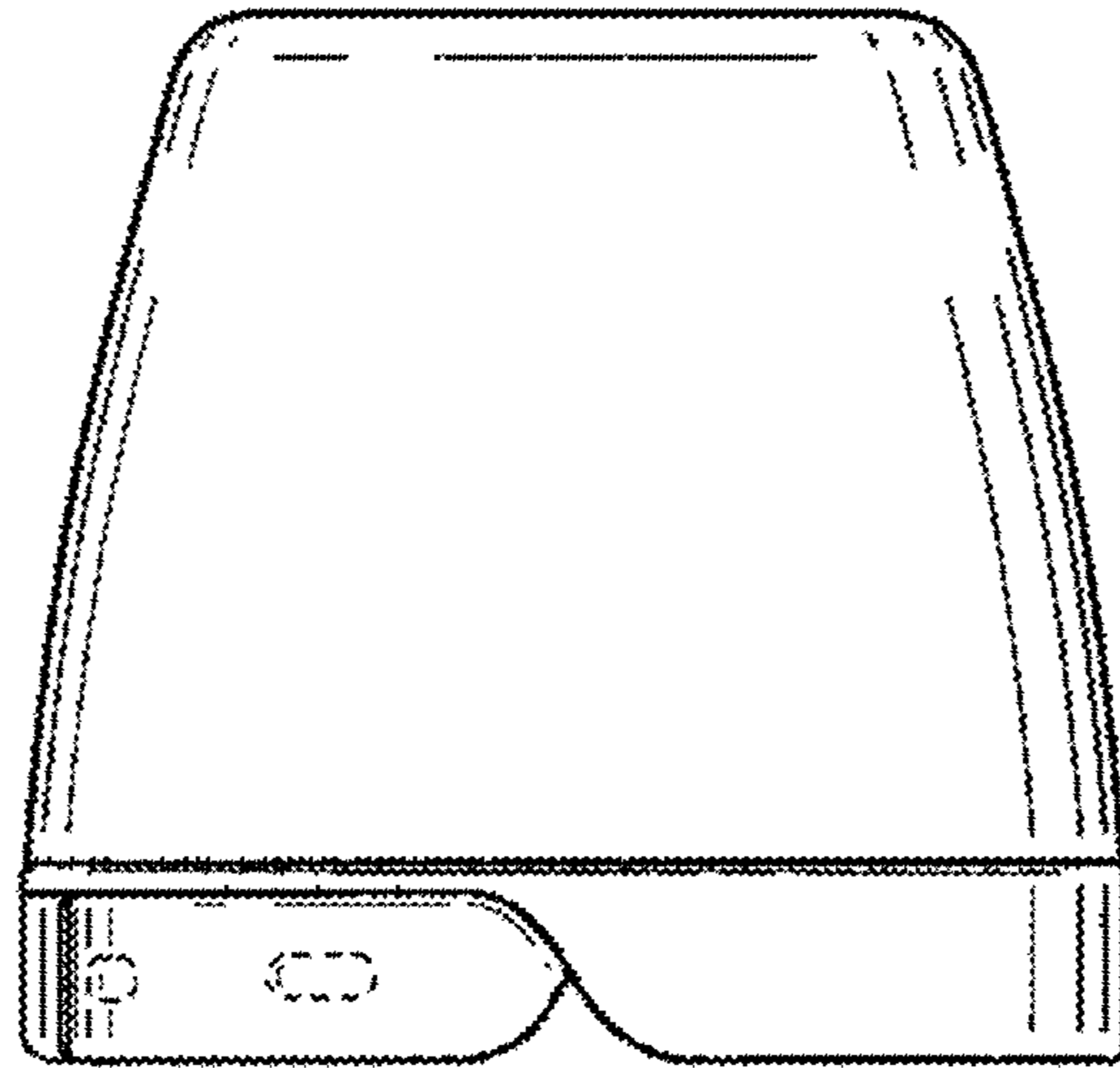


FIG. 3

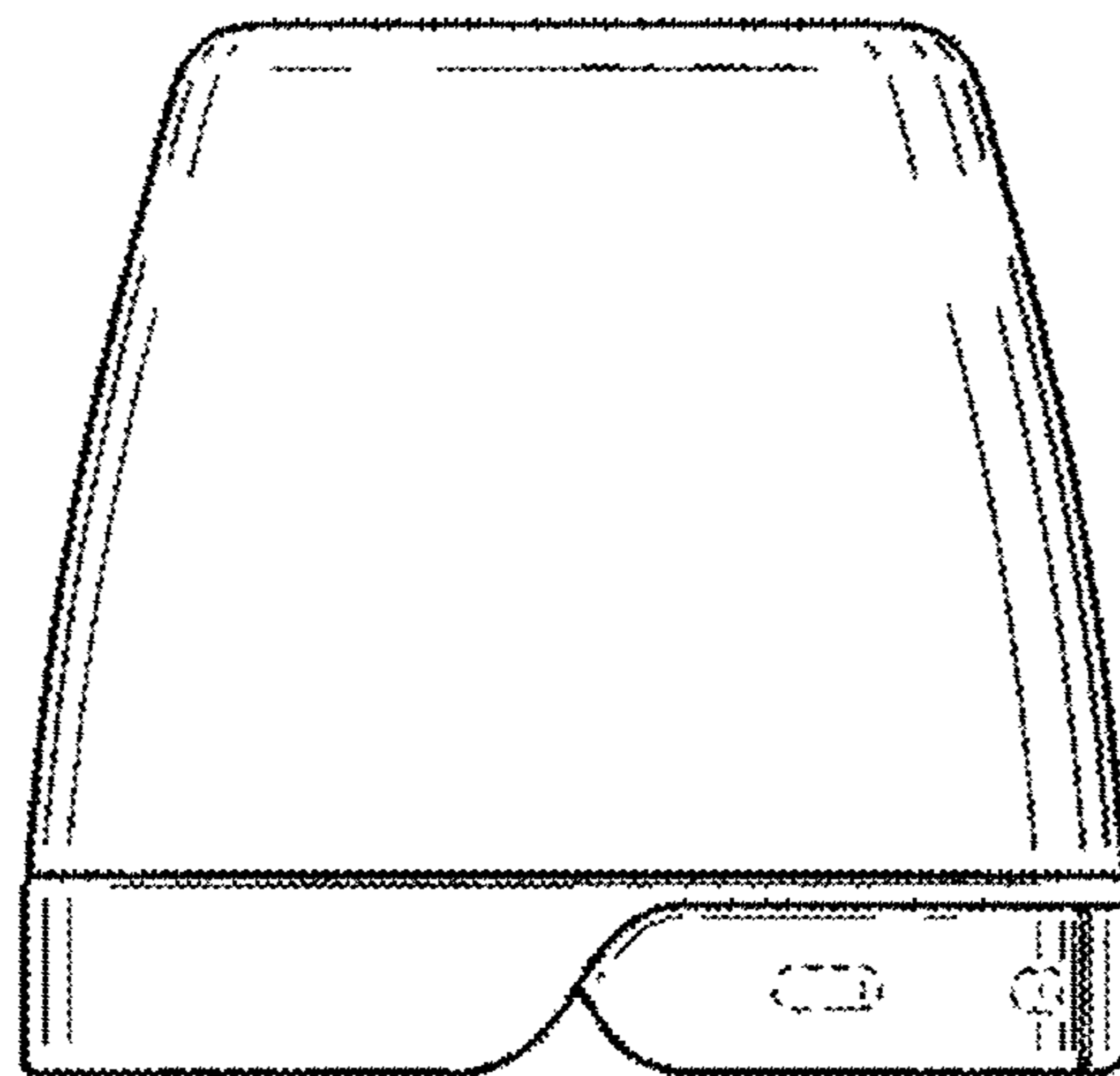


FIG. 4

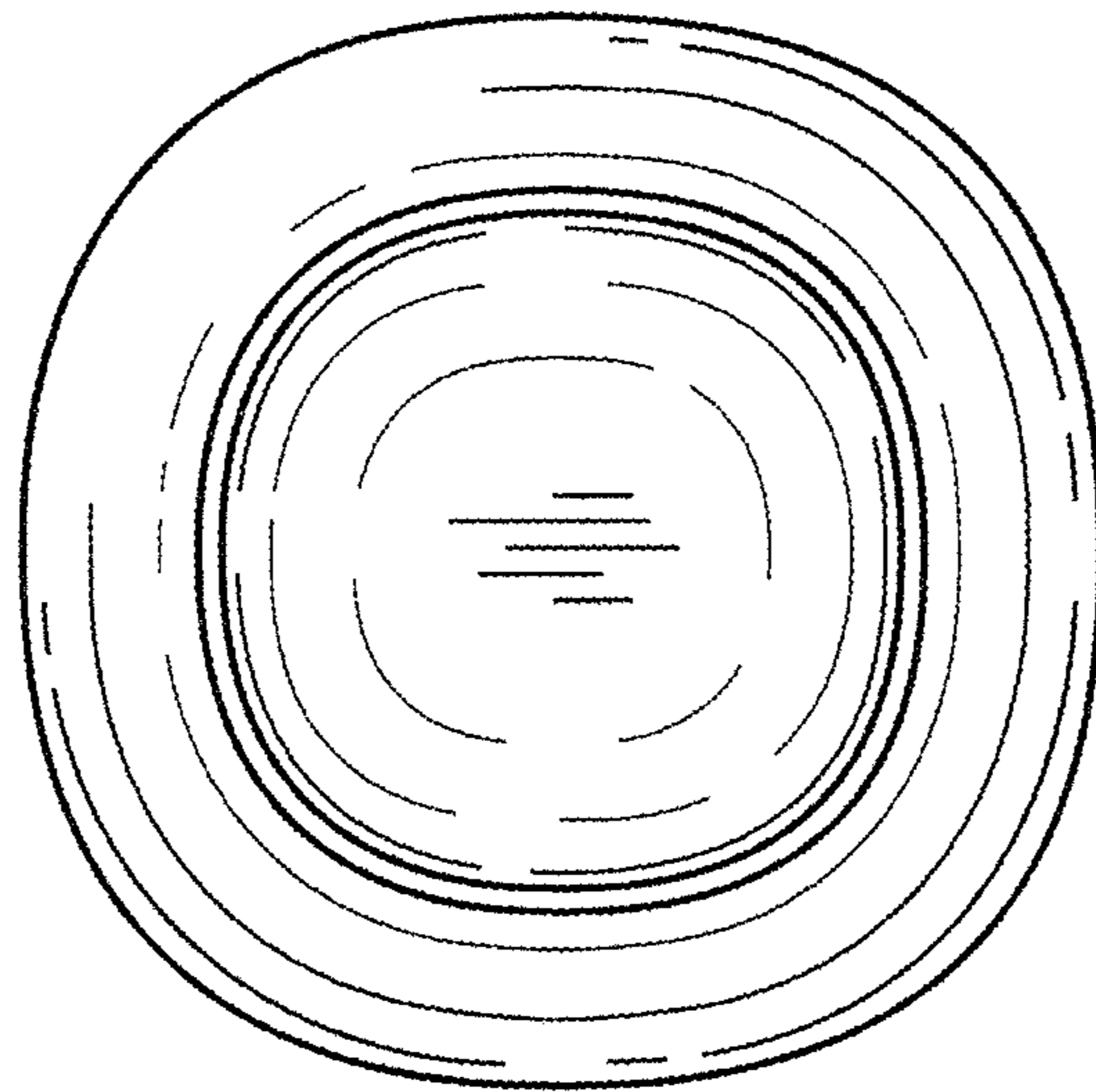


FIG. 5

